



[www.prolight.co.uk](http://www.prolight.co.uk)



# **Omni Tri-9**

(Order code: LEDJ150)

## **USER MANUAL**

**WARNING**

**FOR YOUR OWN SAFETY, PLEASE READ THIS USER MANUAL CAREFULLY  
BEFORE YOUR INITIAL START-UP!**

**CAUTION!**

**THIS UNIT ONLY ACCEPTS AN  
INPUT VOLTAGE OF 240V**

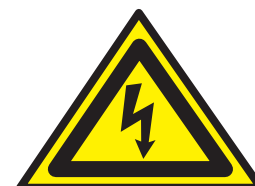
**SAFETY INSTRUCTIONS**

Every person involved with the installation, operation & maintenance of this equipment should:

- Be competent
- Follow the instructions of this manual



**CAUTION! TAKE CARE USING THIS EQUIPMENT!  
HIGH VOLTAGE-RISK OF ELECTRIC SHOCK!!**



Before your initial start-up, please make sure that there is no damage caused during transportation. Should there be any, consult your dealer and do not use the equipment.

To maintain the equipment in good working condition and to ensure safe operation, it is necessary for the user to follow the safety instructions and warning notes written in this manual.

Please note that damages caused by user modifications to this equipment are not subject to warranty.

**IMPORTANT:**

**The manufacturer will not accept liability for any resulting damages caused by the non-observance of this manual or any unauthorised modification to the equipment.**

- Never let the power-cable come into contact with other cables. Handle the power-cable and all mains voltage connections with particular caution!
- Never remove warning or informative labels from the equipment.
- Do not open the equipment and do not modify the equipment.
- Do not connect this equipment to a dimmer-pack.
- Do not switch the equipment on and off in short intervals, as this will reduce the system's life.
- Do not expose to flammable sources or gases.
- Always disconnect the power from the mains when equipment is not in use or before cleaning! Only handle the power-cable by the plug. Never pull out the plug by pulling the power-cable.
- Make sure that the available voltage is between 220v/240v.
- Make sure that the power-cable is never crimped or damaged. Check the equipment and the power-cable periodically.
- If the equipment is dropped or damaged, disconnect the mains power supply immediately. Have a qualified engineer inspect the equipment before operating again.
- If your product fails to function correctly, discontinue use immediately. Pack the unit securely (preferably in the original packing material), and return it to your Prolight dealer for service.
- Only use fuses of same type and rating.
- Repairs, servicing and power connection must only be carried out by a qualified technician. THIS UNIT CONTAINS NO USER SERVICEABLE PARTS.
- WARRANTY; One year from date of purchase.

**OPERATING DETERMINATIONS**

If this equipment is operated in any other way, than those described in this manual, the product may suffer damage and the warranty becomes void.

Incorrect operation may lead to danger e.g.: short-circuit, burns, electric shocks, lamp failure etc.

Do not endanger your own safety and the safety of others!

Incorrect installation or use can cause serious damage to people and property.

You should find inside the LEDJ carton the following items:

1, Omni Tri-9 Unit    2, Instruction manual

### Technical Specifications:

DMX channels: 6

400Hz flicker free 9W Tri Colour LEDs

Power supply: AC 240 ~ 50Hz

9 x Mega Bright 9W Tri Colour LEDs

Power Consumption: 78W

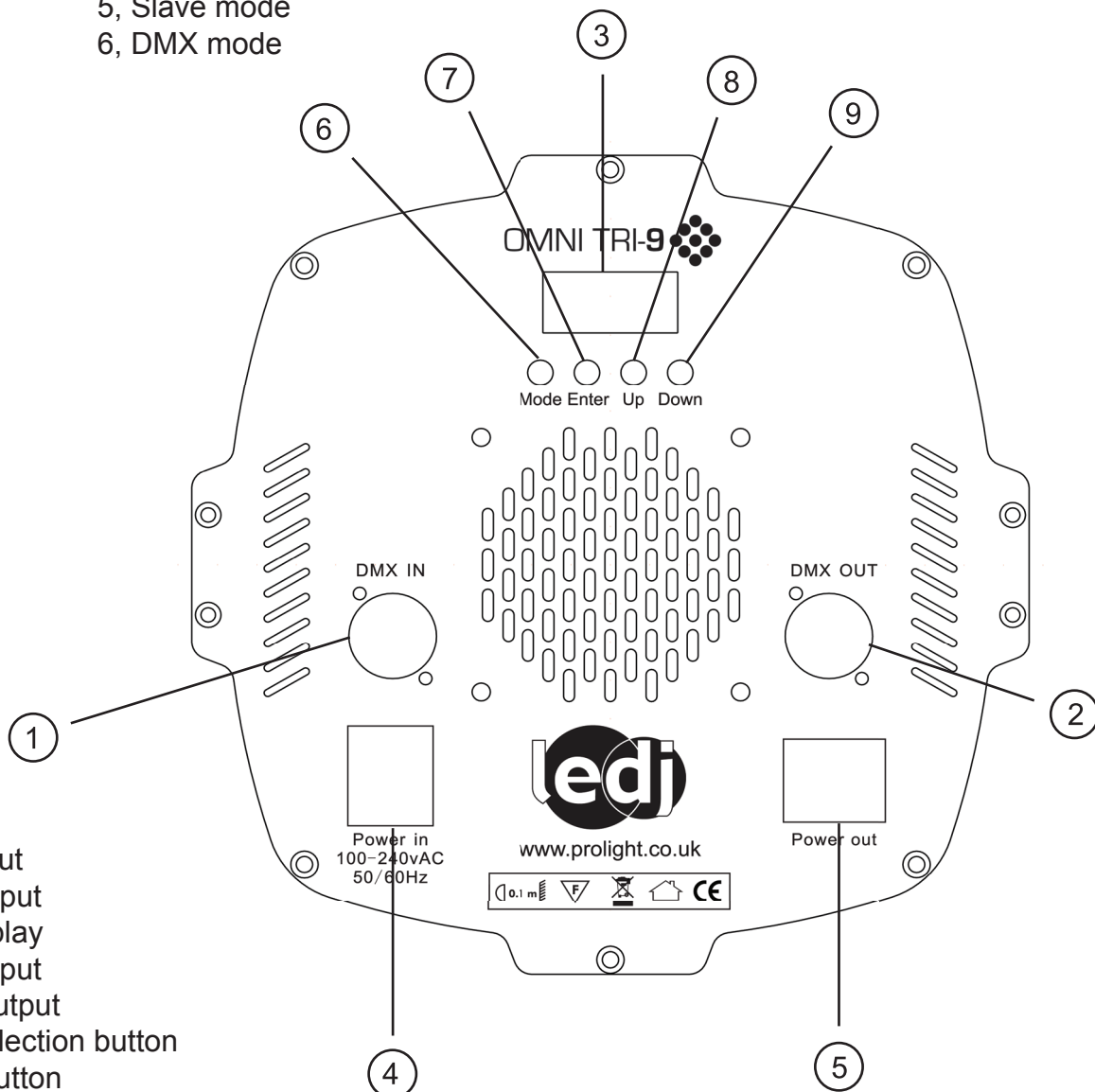
Beam angle: 25 degrees

Dimensions: 183 x 306 x 330mm

Weight: 6Kgs

Operating modes: 1, Static Colour mode  
 2, Colour change mode  
 3, Colour Fade mode  
 4, Sound active mode  
 5, Slave mode  
 6, DMX mode

### Overview:



1, DMX input  
 2, DMX output  
 3, LED display  
 4, Power input  
 5, Power output  
 6, Mode selection button  
 7, Set up button  
 8, Function up button  
 9, Function down button

**1. Static colour mode**

**Mode button** - Press the **“MODE”** button under the LED display, to show **“C000”**, then press the **“ENTER”** button to choose one of the static colours using the **“UP”** and **“DOWN”** buttons.

1, **“C100” = RED,** 2, **“C200” = Green,** 3, **“C300” = Blue,** 4, **“CF00” = Strobe**

Now press the **“ENTER”** button again and you can then select the output brightness using the **“UP”** and **“DOWN”** buttons.

The light output settings are from 00-99 (00 = off, 99 = full)

The strobe speed settings are from 00-99 (00 = slow, 99 = fast)

**2. Colour change mode**

**Mode button** - Press the **MODE** button until the LED display shows **“J000”**, then press the **“ENTER”** button to choose one of the colour changing modes using the **“UP”** and **“DOWN”** buttons.

1, **“J300” = RGB,** 2, **“J700” = 7 colour,** 3, **“JF00” = Strobe,**

Now press the **“ENTER”** button again and you can then select the colour change speed using the **“UP”** and **“DOWN”** buttons.

The speed settings are from 00-99 (00 = slow, 99 = fast)

The strobe speed settings are from 00-99 (00 = slow, 99 = fast)

**3. Colour fade mode**

**Mode button** - Press the **MODE** button until the LED display shows **“F000”**, then press the **“ENTER”** button to choose one of the colour fading modes using the **“UP”** and **“DOWN”** buttons.

1, **“F300” = RGB,** 2, **“F700” = 7 colour,** 3, **“FF00” = Strobe,**

Now press the **“ENTER”** button again and you can then select the colour fade speed using the **“UP”** and **“DOWN”** buttons.

The speed settings are from 00-99 (00 = slow, 99 = fast)

The strobe speed settings are from 00-99 (00 = slow, 99 = fast)

**4. Sound active mode**

**Mode button** - Press the **MODE** button until the LED display shows **“S000”**, then press the **“ENTER”** button to choose one of the sound active modes using the **“UP”** and **“DOWN”** buttons.

1, **“S300” = RGB,** 2, **“S700” = 7 colour,**

**5). Slave mode**

Link the units together using a 3-pin DMX cable, then press the **MODE** button to select one of the above modes. On the Slave units press the mode button until the LED display shows **“SLAV”**. The Slave units will then follow in sequence with the Master unit.

**6). DMX Addressing mode**

To access the DMX address mode, press the **MODE** button until the LED display shows **“A000”**, then press the **“ENTER”** button and set the first digit in the DMX address using the **“UP”** and **“DOWN”** buttons. Now repeat this step to set the second and third digits for the desired DMX address setting. Follow the DMX channel assignment and function table overleaf.

**Note: Always press the “ENTER” button a fourth time to confirm the setting.**

**6 Channel DMX chart**

Channel	Value	Function
1	000-255	Master dimmer
2	000-255	Red (0 - 100%)
3	000-255	Green (0 - 100%)
4	000-255	Blue (0-100%)
5	0-4	No function
	5-84	Colour macro
	85-169	Colour change
	170-255	Colour fade
6	0-255	Strobe





**CREATE THE RIGHT EFFECT**

[www.prolight.co.uk](http://www.prolight.co.uk)