

# SELECON

## PRODUCT DATA SHEET



# ACCLAIM

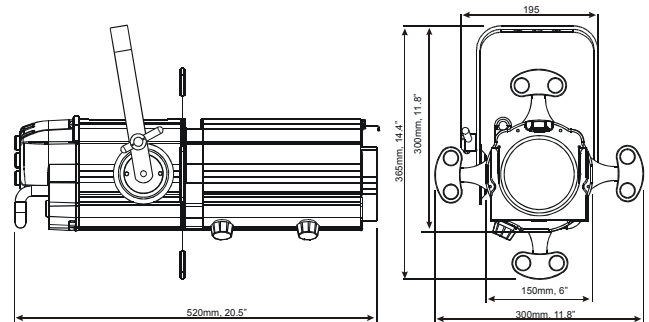
## AXIAL ZOOMSPOT

A 600W variable beam profile with precise beam control and pattern projection from a high output beam. Safe and easy to use, the Acclaim Axial Zoomspot offers efficiency, strength and performance with a choice of two beam angle ranges.

### FEATURES

- Available in 18°-34° or 24°-44° beam angles.
- Interchangeable lens tray between Medium and Wide versions.
- Beam adjustable from smooth, flat beam for gobo projections to high intensity peak distribution for stage washes.
- Unique easy to use and precise adjustable beam Peak-Flat mechanism.
- Captive shutters offering wider degree of masking angles.
- Heat control in – beam filter.
- Slot provided for Iris or rotatable (35°) gobo holder.
- 'Swing-down' doors for easy access to lens cleaning.
- Mains isolation via micro-switch when back is removed for lamp changes.
- Constructed of pressure die-castings and aluminium extrusion.
- Fully compliant to CE standards.

### PHYSICAL DATA

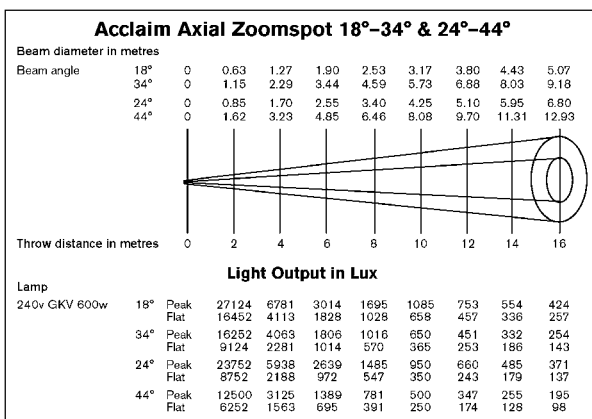


- Weight:** 5.6 Kg  
**Colour Frame Size:** 125mm x 125mm  
**Pattern (Gobo) size:** M  
**Included:** 1 x colour frame, 1 x M12 nut & bolt set, instruction leaflet.

### LAMPS: 220V-240V

- 600W**  
**GKV** 15,000 lumens 400 hours average life  
**GLB** 13,000 lumens 1500 hours average life

### PHOTOMETRIC DATA



Tests conducted using a standard GKV, 600W, 240V, lamp.

### ORDER CODES & ACCESSORIES

- |   |              |
|---|--------------|
| <b>Acclaim Axial Zoomspot 18° - 34°</b> | 12ACX1834    |
| <b>Acclaim Axial Zoomspot 24° - 44°</b> | 12ACX2444    |
| <b>Acclaim Iris</b>                     | 15ACIRIS     |
| <b>Acclaim Rotatable Gobo Holder</b>    | 15ACGH       |
| <b>Acclaim 18°- 34° Lens Tray</b>       | 15ACAX1834LT |
| <b>Acclaim 24°- 44° Lens Tray</b>       | 15ACAX2444LT |
| <b>Lens Safety Mesh</b>                 | 15ACSM       |
| <b>Suspension Hookclamp</b>             | 20HC         |
| <b>Safety Bond</b>                      | 20SC         |

Selecon reserves the right to change the specifications without notice (09/04)

**SELECON, THE ONLY LUMINAIRE MANUFACTURER TO OFFER A LIMITED THREE YEAR WARRANTY ON ENTERTAINMENT PRODUCTS: [www.seleconlight.com/english/support/warranty.html](http://www.seleconlight.com/english/support/warranty.html)**

©2004 Selecon New Zealand Limited. All Rights Reserved.