

# SELECON

## PRODUCT DATA SHEET



# ACCLAIM

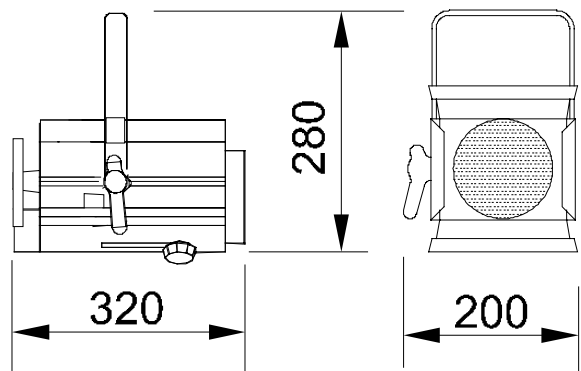
## PC

A general-purpose PC for theatre and display lighting. The well-defined beam of light, with a crisper edge than a Fresnel, can easily be blended with adjacent beams to provide even illumination. The Acclaim PC offers efficiency, strength and performance using a 110mm diameter lens.

### FEATURES

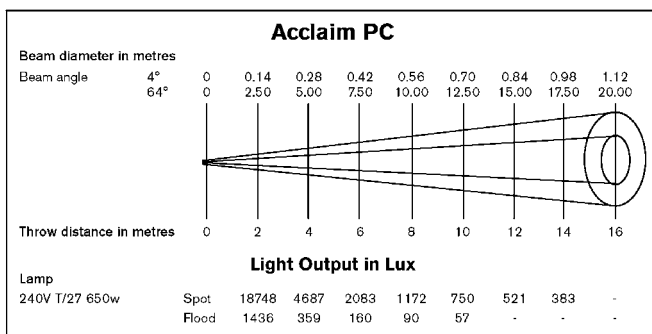
- Up to 50% more light output than comparative PCs.
- A wide range of beam angles from 4°-64°.
- Adjustable yoke balance point.
- Light texturing on rear of lens to obscure filament imaging retains the characteristic PC clarity of beam.
- 'Swing-down' door for easy access to lamp. Isolates the mains supply when opened.
- Captive lamp/ reflector focus system moves on brass bearing provides smooth focus movement.
- Rear grab-handle, doubles as handy cable storage.
- Constructed of pressure die-castings and aluminium extrusion.
- Fully tested and compliant to CE standards.

### PHYSICAL DATA



<b>Weight:</b>	3.3 Kg
<b>Packed Weight:</b>	3.7Kg
<b>Carton Size:</b>	460 x 225 x 175
<b>Carton Size Cubic:</b>	0.018
<b>Colour Frame Size:</b>	125mm x 125mm
<b>Included:</b>	1 x colour frame, 1 x M12 nut & bolt set, instruction leaflet.

### PHOTOMETRIC DATA



Tests conducted using a standard T27, 650W, 240V, 15,000 lumens lamp.

### LAMPS: 220V-240V

<b>500W</b>		
T/25, T/18	11,000 lumens	400 hours average life
<b>650W</b>		
T/26, T/27	14,500 lumens	600 hours average life

### ORDER CODES & ACCESSORIES

<b>Acclaim PC</b>	12ACPCMS
<b>Barndoor</b>	20BDMF
<b>Lens Safety Mesh</b>	15ACSM
<b>Suspension Hookclamp</b>	20HC
<b>Safety Bond</b>	20SC

Selecon reserves the right to change the specifications without notice (09/04)

SELECON, THE ONLY LUMINAIRE MANUFACTURER TO OFFER A LIMITED THREE YEAR WARRANTY ON ENTERTAINMENT PRODUCTS: [www.seleconlight.com/english/support/warranty.html](http://www.seleconlight.com/english/support/warranty.html)

© 2004 Selecon New Zealand Limited. All Rights Reserved.