

Product type Waterproof plug

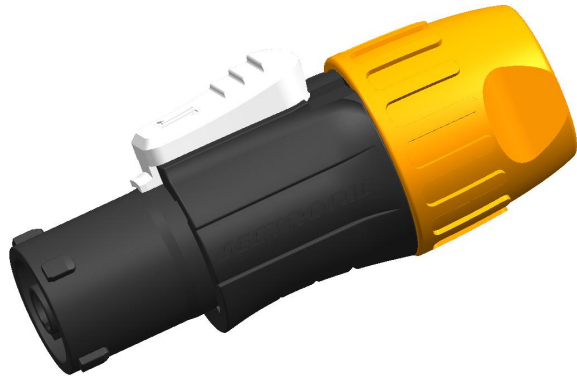
Product NO. SAC3FX (05)

Customer

	APPROVAL	AUDIT	COMPILE
Manufacturer			

	APPROVAL	AUDIT	ACCEPT
(Customer)			

Product Appearance



Product features

- ✔ Quick, simple locking system
- ✔ Connect reliably
- ✔ Small size of product

Technical parameters

1. Electrical parameters

Contacts NO.	2+PE
Rated current	16A VDE(20A UL)
Rated voltage	250V AC VDE(300V AC UL)
Contact resistance	$\leq 5\text{m}\Omega$
Dielectric strength	4000V DC(1600V/min AC UL)
Insulation resistance	$> 1000\text{M}\Omega$

2. Mechanical parameters

Service life	> 1000 mating cycles
Power lin	2.5mm ² (7mm -11mm)
Wire stripping length	7-8mm
Type of teminals	screw type terminals

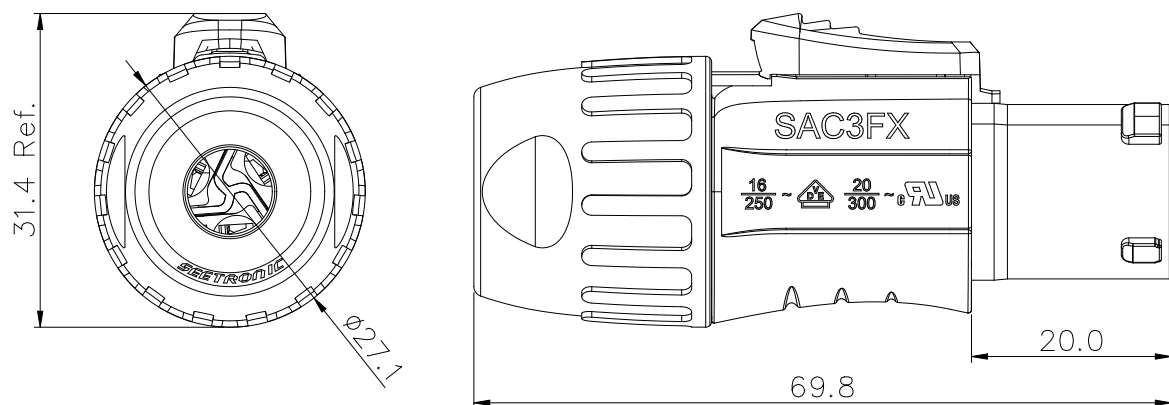
3. Material and environmental parameters

Shell	PA
Contacts	Cu alloy
Contact surface	Ag
Protection degree	IP65
Flame-retardant grade	UL94-V0
Temperature range	-30°C to +80°C

4. Standard

Standard	IEC61984/UL498
----------	----------------

Product Profile



Installation instructions

