

Product
type

Waterproof plug

Product NO.

SAC3MX-09(05)

Customer

| | | | |
|---------------------|--------------|-----------|-------------|
| | (APPROVAL) | (AUDIT) | (COMPILE) |
| Manufacturer | | | |

| | | | |
|--------------|--------------|-----------|------------|
| | (APPROVAL) | (AUDIT) | (ACCEPT) |
| (Customer) | | | |

SAC3MX-09(05) (Product Appearance)



(Product features)

- ✓ (Quick, simple locking system)
- ✓ (Connect reliably)
- ✓ (Small size of product)

(Technical parameters)

1. (Electrical parameters)

| | |
|-------------------------|---------------------------|
| (Contacts NO.) | 2+PE |
| (Rated current) | 16A VDE(20A UL) |
| (Rated voltage) | 250V AC VDE(300V AC UL) |
| (Contact resistance) | $\leq 5\text{m}\Omega$ |
| (Dielectric strength) | 4000V DC(1600V/min AC UL) |
| (Insulation resistance) | $> 1000\text{M}\Omega$ |

2. (Mechanical parameters)

| | |
|-------------------------|---------------------------------|
| (Service life) | > 1000 mating cycles |
| (Power lin) | 2.5mm ² (7mm -11mm) |
| (Wire stripping length) | 7-8mm |
| (Type of terminals) | Screw type terminals |

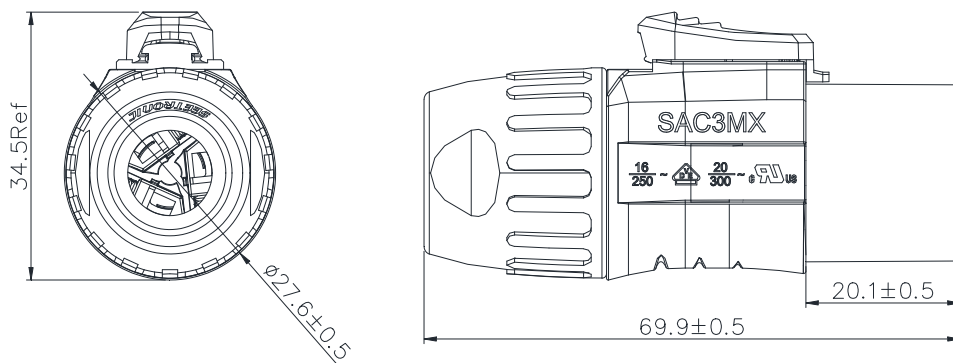
3. (Material and environmental parameters)

| | |
|-------------------------|----------------|
| (Shell) | PA |
| (Contacts) | Cu alloy |
| (Contact surface) | Ag |
| (Protection degree) | IP65 |
| (Flame-retardant grade) | UL94 V-0 |
| (Temperature range) | -30°C to +80°C |

4. (Standard)

| | |
|------------|----------------|
| (Standard) | IEC61984/UL498 |
|------------|----------------|

(Product Profile)



(Installation instructions)

