

Product type Waterproof socket

Product NO. SAC3MPX (05)

Customer _____

	(APPROVAL)	(AUDIT)	(COMPILE)
Manufacturer			

	(APPROVAL)	(AUDIT)	(ACCEPT)
(Customer)			

(Product Appearance)



(Product features)

- ✓ (Quick, simple locking system)
- ✓ (Connect reliably)
- ✓ (Small size of product)

(Technical parameters)

1. (Electrical parameters)

(Number of electrical contacts)	2+PE
(Rated current)	16A VDE(20A UL)
(Rated voltage)	250V AC VDE(300V AC UL)
(Contact resistance)	$\leq 5\text{m}\Omega$
(Dielectric strength)	4000V DC(1600V/min AC UL)
(Insulation resistance)	$> 1000\text{M}\Omega$

2. (Mechanical parameters)

(Service life)	> 1000 mating cycles
(Power line)	2.5mm ² (12AWG)
(Solderability)	Complies with IEC 68-2-20

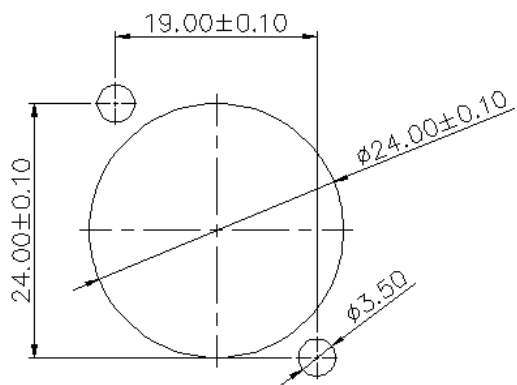
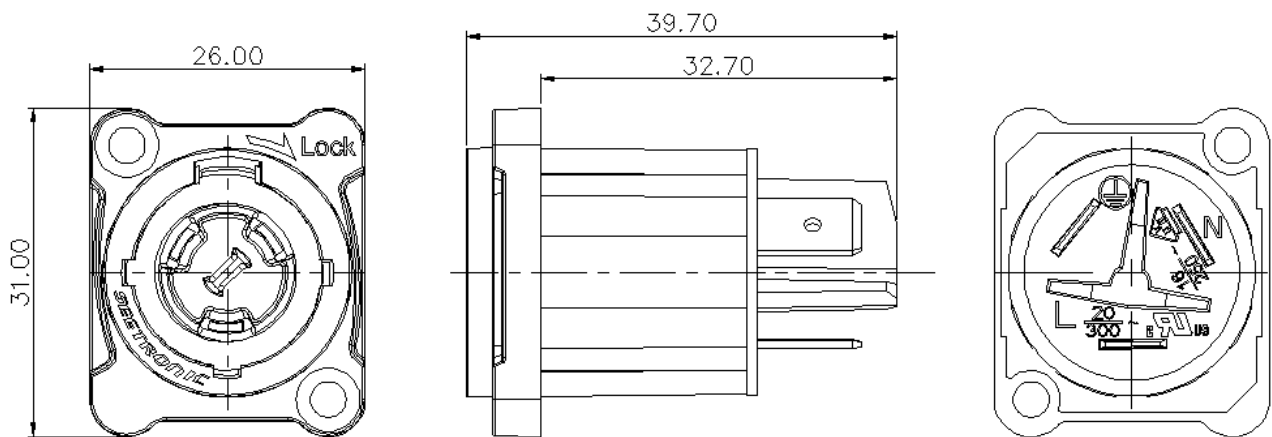
3. (Material and environmental parameters)

(Shell)	PA
(Contacts)	Cu alloy
(Contact surface)	Ag
(Protection degree)	IP65
(Flame-retardant grade)	UL94-V0
(Temperature range)	-30°C to +80°C

4. (Standard)

(Standard)	IEC61984/UL498
------------	----------------

(Product Profile)



未注	≤6	6<,≤30	30<,≤120	120<,≤400	400<,≤1000
公差	±0.10	±0.20	±0.30	±0.50	±0.80

(Installation instructions)

(Socket installation direction) : (Before the installation)

