

Product type (XLR Cable Connectors)

Product NO. SCMF3

Customer _____

	(APPROVAL)	(AUDIT)	(COMPILE)
Manufacturer			

	(APPROVAL)	(AUDIT)	(ACCEPT)
(Customer)			

SCMF3 (Product Appearance)



(Product features)

- ✔ New design for the Key,sasy operate
- ✔ Metal housing with inner thread increase rethention force and makes assembly easier and faster
- ✔ New ground contact-excellent contact integrity between chassis and cable connector
- ✔ Colored boots available for coding or identification
- ✔ Boot with polyurethane gland gives high protection to cable bending stresses

(Technical parameters)

1. (Product parameters)

(Connection Type)	XLR
(Gender)	female

2. (Electrical parameters)

(Capacitance between contacts)	$\leq 4\text{pF}$
(Contact resistance)	$\leq 3\text{m}\Omega$

(Dielectric strength)	1.5kVdc
(Insulation resistance)	>10GΩ (initial)
(Rated current per contact)	16A
(Rated voltage)	<50V

3. (Mechanical parameters)

(Sign Cable O.D.)	Black Strain relief: 3.5-6mm White Strain relief : 6-8mm
(Insertion force)	≤ 20N
(Withdrawal force)	≤ 20N
(Service life)	> 1000 mating cycles
(Wire size)	Max. 2.5 mm ²
(Wire size)	Max. 14 AWG
(Locking device)	Latch lock

4. (Material and environmental parameters)

(Boot)	Polyurethan
(Contacts)	Cu alloy
(Contact plating)	Ag
(Insert)	Polyamide (PA 66 +30 % GF)
(Locking element)	Zinc diecast (ZnAl4Cu1)
(Shell)	Zinc diecast (ZnAl4Cu1)
(Shell plating)	Cr
(Strain relief)	Polyacetal (POM)
(Flame-retardant grade)	UL 94 HB
(Protection class)	IP40

(Temperature range)

-30°C to +80°C

5. (Standard)

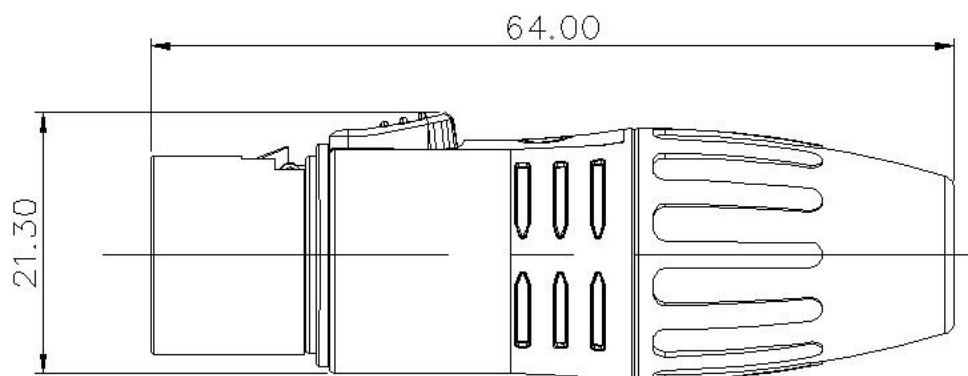
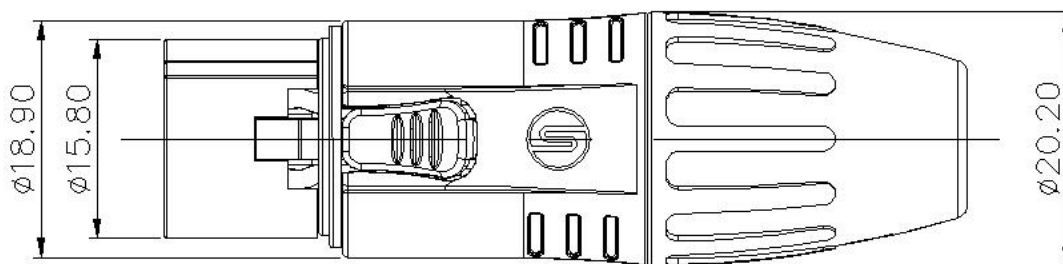
(Standard)

IEC 61076-2-103

(Solderability)

Complies with IEC 68-2-20

(Product Profile)



Installation instructions)

