

Product type (JACK) _____
Product NO. MJ3F2C-B _____
Customer _____

	(APPROVAL)	(AUDIT)	(COMPILE)
Manufacturer			

	(APPROVAL)	(AUDIT)	(ACCEPT)
(Customer)			

(Product Appearance)



(Product features)

- ✔ (All metal housing offers best overall protection)
- ✔ (Duplex ground contact)
- ✔ (Optional connection to easily join pin 1 to chassis ground)
- ✔ (Standard D mounting dimensions)

(Technical parameters)

1. (Electrical parameters)

(Capacitance between contacts)	$\leq 4\text{pF}$
(Contact resistance)	$\leq 5\text{m}\Omega$
(Dielectric strength)	1500V DC
(Insulation resistance)	$> 10\text{G}\Omega$ (initial)
(Rated current per contact)	16A
(Rated voltage)	$< 50\text{V}$

2. (Mechanical parameters)

(Insertion force)	$\leq 20\text{N}$
(Withdrawal force)	$\leq 20\text{N}$
(Service life)	> 1000 mating cycles
(Locking device)	Latch lock
(Chassis shape)	D

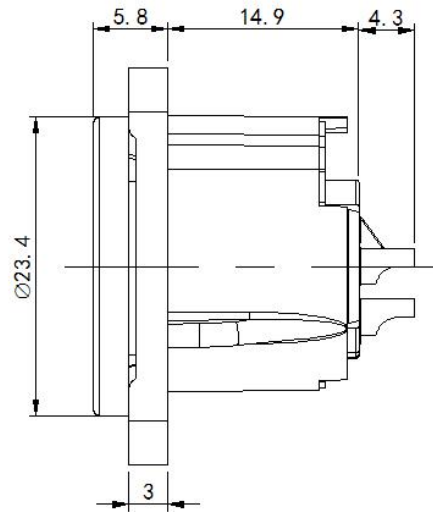
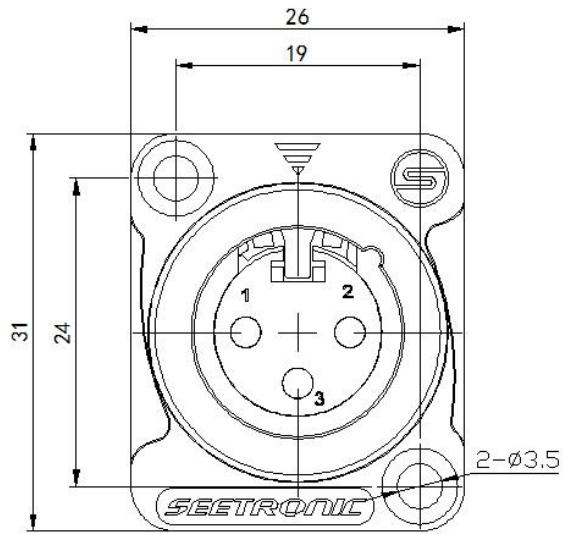
3. (Material and environmental parameters)

(Contact plating)	Ag
(Contacts)	Copper alloy
(Insert)	Polyamide (PA66 +30%GF)
(Shell)	Zinc diecast (ZnAl4Cu1)
(Shell plating)	Black coating
(Flame-retardant grade)	UL94 V0
(Protection class)	IP 40
(Solderability)	Complies with IEC 68-2-20
(Temperature range)	-30°C to +80°C

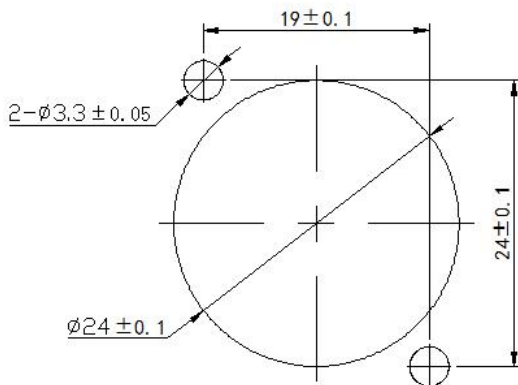
4. (Standard)

(Standard)	IEC 61076-2-103
------------	-----------------

(Product Profile)



安装开孔尺寸



(Installation instructions) (Panel mount) :

(Front and rear)