

Product type _____
(Signal connector)
Product NO. SE8MC-1-NEW
Customer _____

	(APPROVAL)	(AUDIT)	(COMPILE)
Manufacturer			

	(APPROVAL)	(AUDIT)	(ACCEPT)
(Customer)			

(Product Appearance)



(Product features)

- ✓ RJ45 (The RJ45 system for harsh and demanding environment)
- ✓ RJ45 (Cable connector carrier accepts the most common RJ45 plugs)
- ✓ (Rugged diecast shell and unique chuck type strain relief)
- ✓ Ethernet RJ45 (Protects Ethernet connections in a variety of commercial type applications and is designed to prevent breakage of the fragile components of standard RJ 45 connectors)

(Technical parameters)

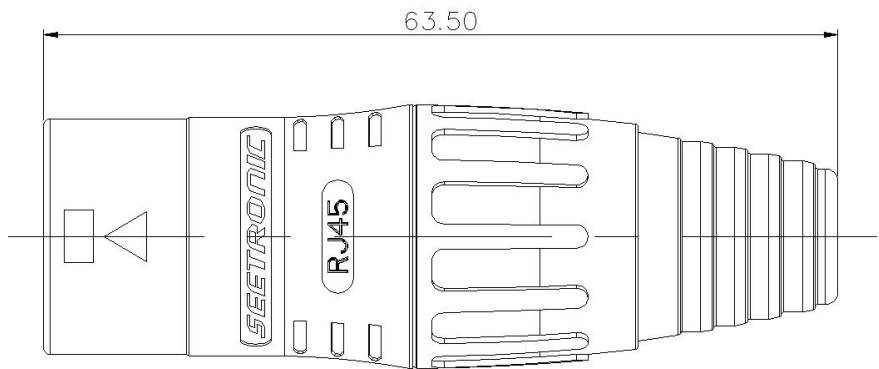
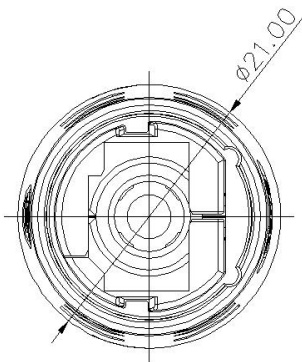
1. (Mechanical parameters)

(Service life)	> 1000 mating cycles
(Insertion force)	≤ 20 N
(Wiring)	5-7mm
(Locking device)	latch lock

2. (Material and environmental parameters)

(Boot)	Polyamide
(Shell)	Zinc diecast
(Shell plating)	Pearl Cr
(Temperature range)	-30°C to +80°C

(Product Profile)



未注	≤6	6<,≤30	30<,≤120	120<,≤400	400<,≤1000
公差	±0.10	±0.20	±0.30	±0.50	±0.80

(Installation instructions)

