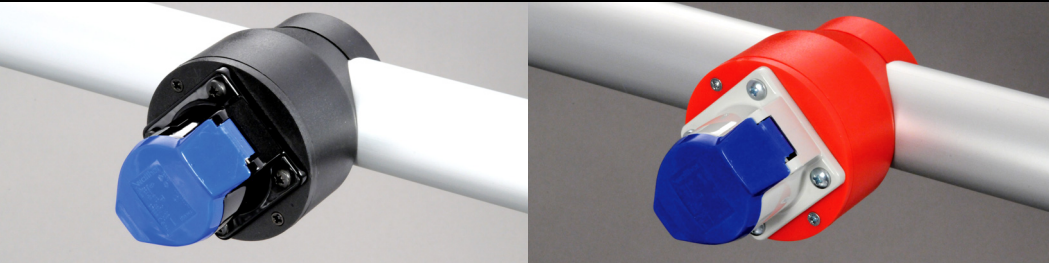


# Smart Socket® for 16A

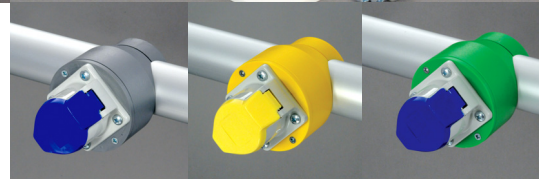


**The Robolights® Smart Socket® is a versatile socket outlet designed for use on internally wired lighting bars. Manufactured from resilient, self coloured injection moulded ABS the Smart Socket® is lightweight hardwearing and simple to install.**

This version of the Smart Socket is designed to accept a 16A BS EN 60309 type socket outlet often used for moving head lighting fixtures and TV / film studio lighting equipment.

Installation is straight forward needing only one 16mm hole to be drilled into one wall of the lighting bar and the Smart Socket is supplied complete with all necessary screws including those for the (separately supplied) 16A socket insert. To install the Smart Socket® simply press fit its specially designed bush into the drilled hole to locate it and then tighten the clamp screws. Full fitting instructions can be downloaded from the Robolights® Website.

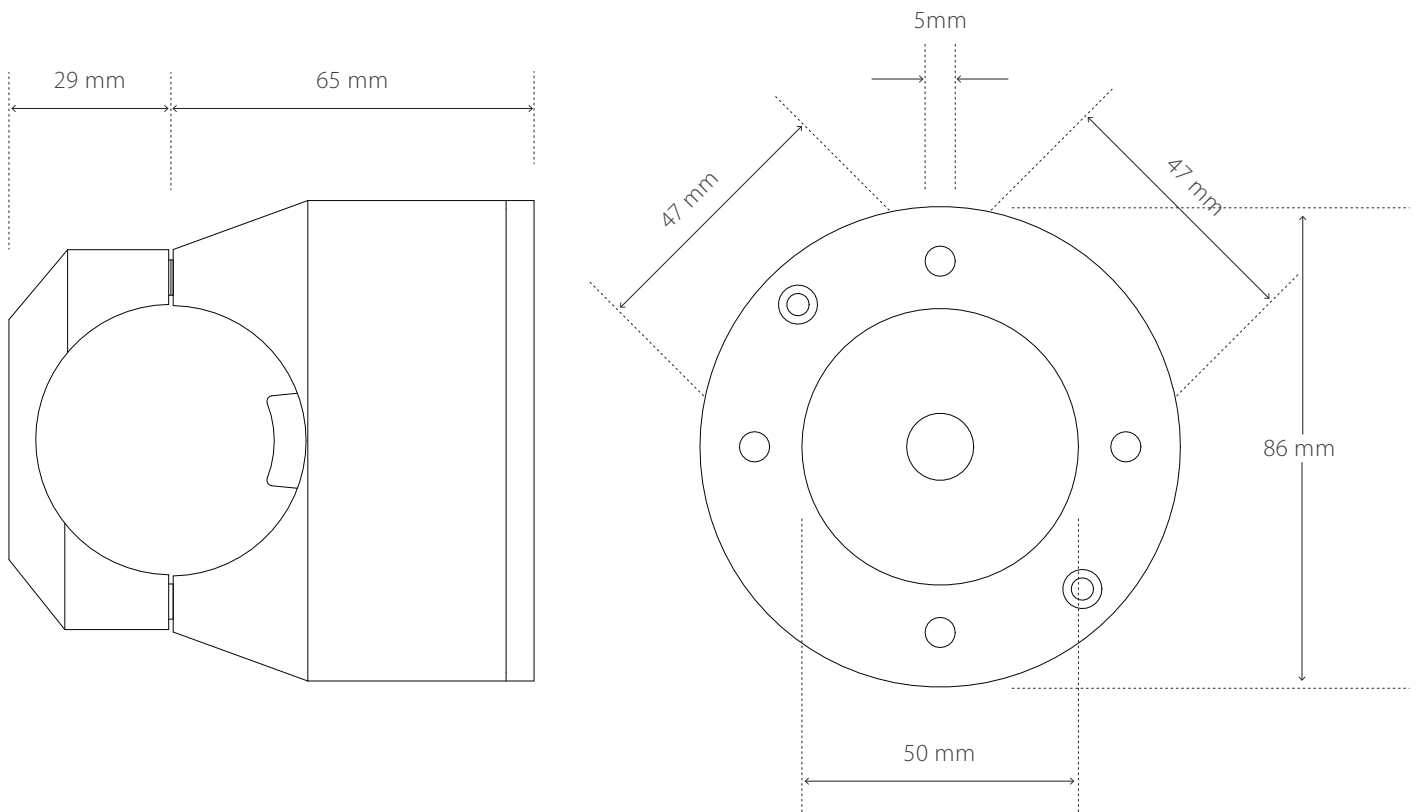
Stock colours are black, silver, white, red, blue, green and yellow. Other custom colours are available by special order, please contact us for more details.



**For technical help and advice:  
Call +44 (0) 1392 823040**

**[www.robolights.com](http://www.robolights.com)**

Robolights:  
5 G.D. Units, Cofton Road  
Marsh Barton, Exeter, Devon  
EX2 8QW

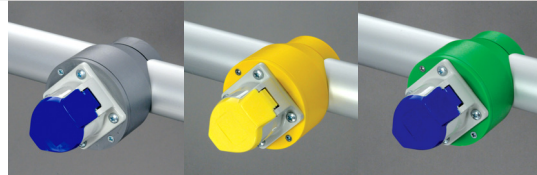
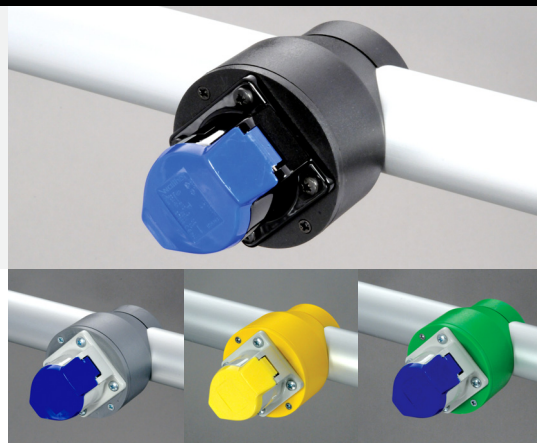




# Smart Socket® for 16A

## Technical Information:

<b>Smart Socket® material</b>	Injection moulded, self coloured, medium impact ABS.
<b>Weight</b>	121g (238g including 16A socket)
<b>Tube specification</b>	Smart Sockets® are designed for use only with 'standard' 48 mm aluminium scaffold tube with 48.4mm (1 29/32") out side diameter x 7 SWG (4.76 mm) wall thickness.  <i>N.B. Smart Sockets will not fit 50 mm tube</i>
<b>Fixing screws</b>	All included screws are Pozi-Drive TM type either bright zinc plated or chemi-black to match Smart Socket colour.
<b>Part numbers</b>	Smart Socket® for 16A - Black - <b>SSS/16A/B</b> Smart Socket® for 16A - Silver - <b>SSS/16A/S</b>



**For technical help and advice:**

**Call +44 (0) 1392 823040**

**[www.robolights.com](http://www.robolights.com)**

Robolights:  
5 G.D. Units, Cofton Road  
Marsh Barton, Exeter, Devon  
EX2 8QW

**Important:**

The Robolights® Smart Socket® should only be installed by a suitably qualified person. The installer must ensure that the final assembly conforms to and is in accordance with all regional electrical regulations prevailing at any time.

Certain features and functions of Robolights products are protected by Patent Law. Smart Socket, Smart Clamp and the Robolights text and logo device are registered trademarks and remain the sole property of Robolights Limited. As such they may not be reproduced in any form without the prior express written consent of Robolights Limited.