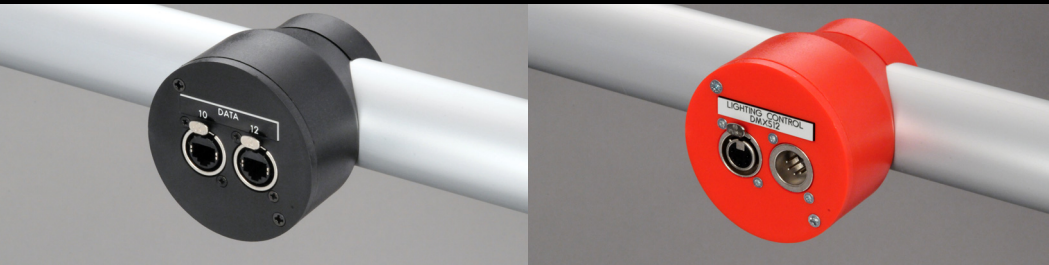


# Smart Socket® for twin XLR



**The Robolights® Smart Socket® is a versatile socket outlet designed for use on internally wired lighting bars. Manufactured from resilient, self coloured injection moulded ABS the Smart Socket® is lightweight hardwearing and simple to install.**

This version of the Smart Socket is designed to take two connectors in the Neutrik D series format which includes audio, control, data and power connectors. The lid also includes a recess to accept labelling.

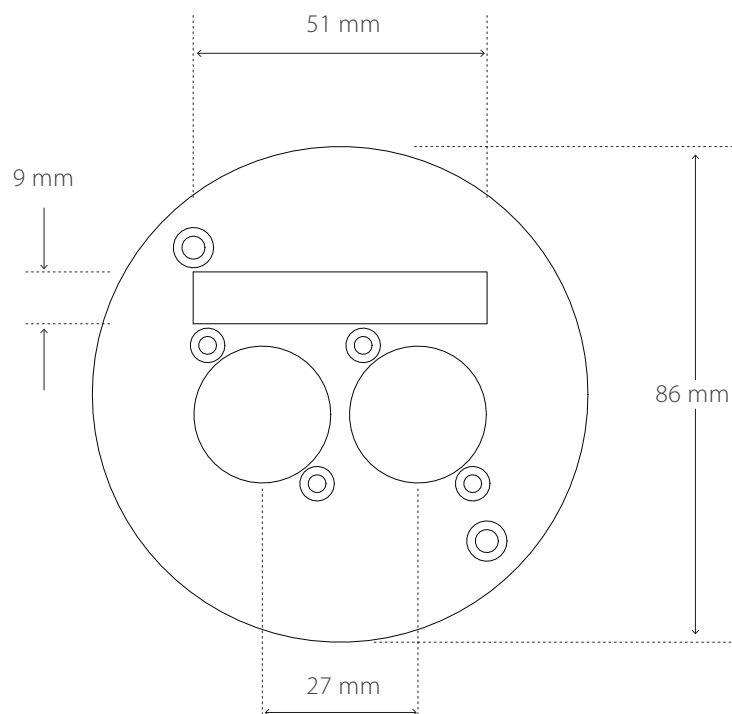
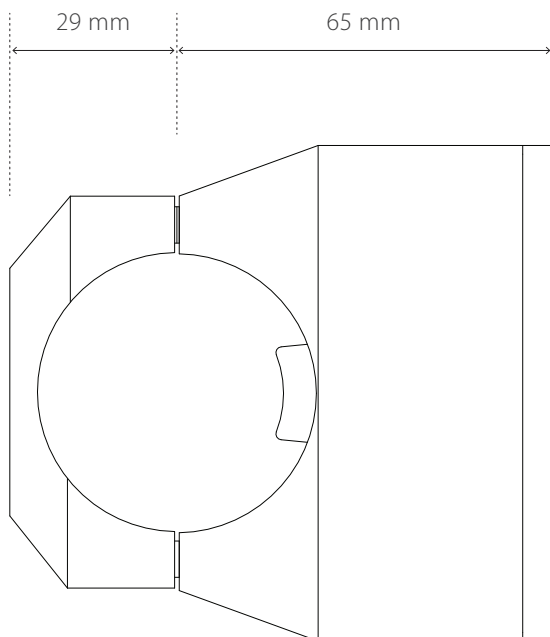
Installation is straight forward needing only one 16mm hole to be drilled into one wall of the lighting bar and the Smart Socket is supplied complete with all necessary screws including those for the connectors. To install the Smart Socket® simply press fit its specially designed bush into the drilled hole to locate it and then tighten the clamp screws. Full fitting instructions can be downloaded from the Robolights® Website.

Stock colours are black, silver, white, red, blue, green and yellow, other custom colours are available by special order, please contact Robolights® for more details.

**For technical help and advice:  
Call +44 (0) 1392 823040**

**[www.robolights.com](http://www.robolights.com)**

Robolights:  
5 G.D. Units, Cofton Road  
Marsh Barton, Exeter, Devon  
EX2 8QW





Technical Innovation for Stage & Theatre

Data Sheet

# Smart Socket® for twin XLR

## Technical Information:

### Smart Socket® material

Injection moulded, self coloured, medium impact ABS.

### Weight

107g (157g including two 5 pin XLR connectors)

### Tube specification

Smart Sockets® are designed for use only with 'standard' 48 mm aluminium scaffold tube with 48.4mm (1 29/32") out side diameter x 7 SWG (4.76 mm) wall thickness.

*N.B. Smart Sockets will not fit 50 mm tube*

### Fixing screws

All included screws are Pozi-Drive TM type either bright zinc plated or chemi-black to match Smart Socket colour.

### Part numbers

Smart Socket® set for twin XLR connectors - Black  
**SSS/2XLR/B**

Smart Socket® set for twin XLR connectors - Silver  
**SSS/2XLR/S**

### Important:

The Robolights® Smart Socket® should only be installed by a suitably qualified person. The installer must ensure that the final assembly conforms to and is in accordance with all regional electrical regulations prevailing at any time.

Certain features and functions of Robolights products are protected by Patent Law. Smart Socket, Smart Clamp and the Robolights text and logo device are registered trademarks and remain the sole property of Robolights Limited. As such they may not be reproduced in any form without the prior express written consent of Robolights Limited.



**For technical help and advice:  
Call +44 (0) 1392 823040**

**[www.robolights.com](http://www.robolights.com)**

Robolights:  
5 G.D. Units, Cofton Road  
Marsh Barton, Exeter, Devon  
EX2 8QW