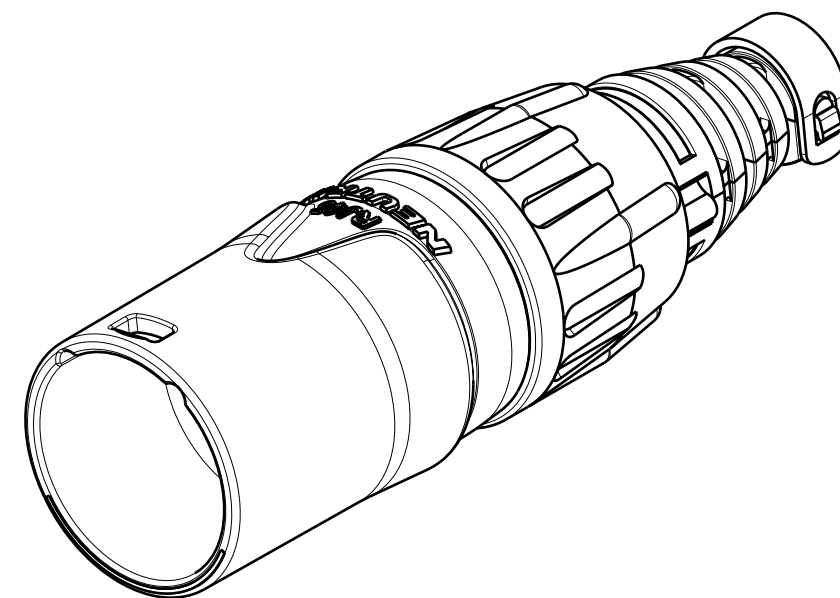
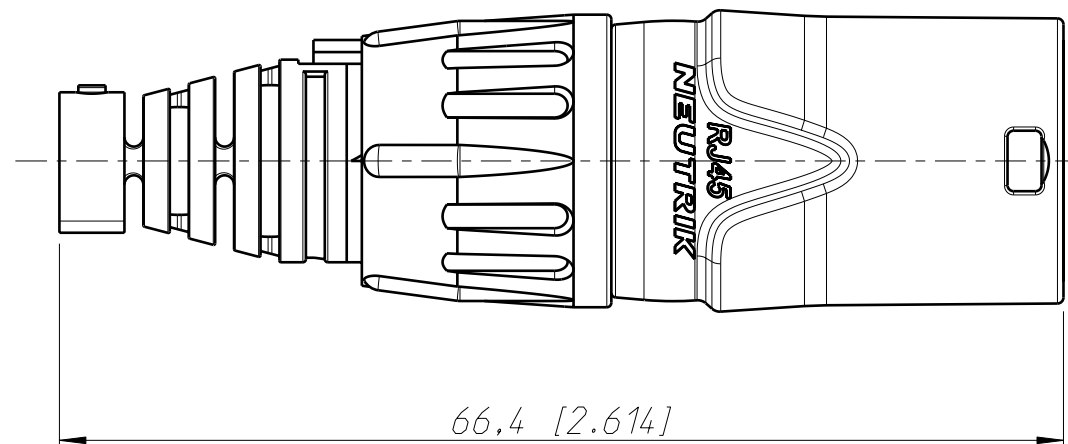
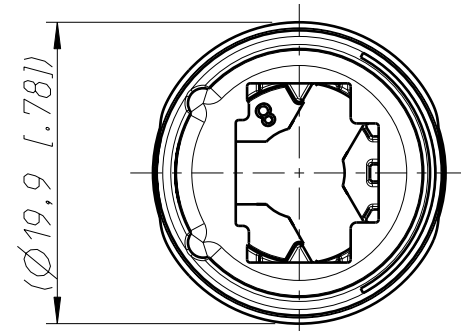
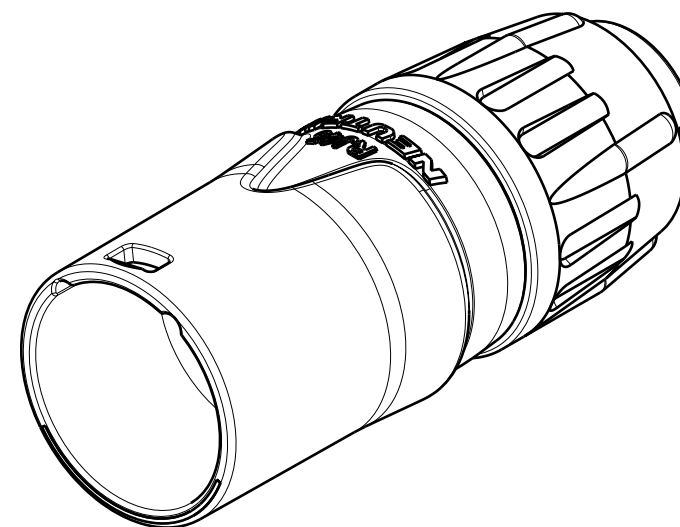
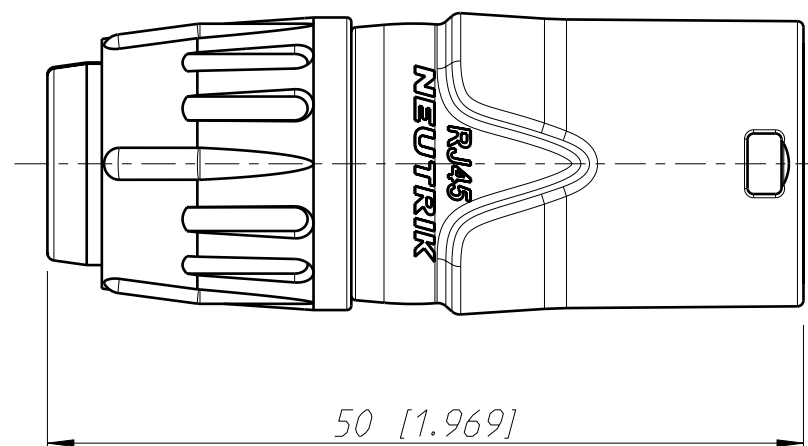
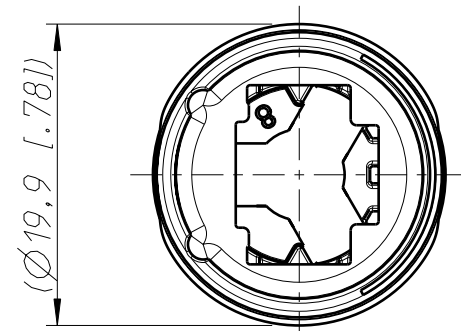


type 1



type 2



|                                       |  |          |  |                  |  |           |  |
|---------------------------------------|--|----------|--|------------------|--|-----------|--|
| General tolerances ISO 2768-m         |  | Scale    |  | Date             |  | Name      |  |
| Refer to protection notice ISO 16016. |  | 2:1 (A3) |  | 26.09.18         |  | Zechmann  |  |
| Name                                  |  | NE8MX    |  | Drawn            |  | -         |  |
|                                       |  | NE8MX    |  | Modified         |  | -         |  |
|                                       |  |          |  | Change-No.       |  | Sheet-No. |  |
|                                       |  |          |  | -                |  | 1 / 1     |  |
|                                       |  |          |  | Index            |  | -         |  |
|                                       |  |          |  | Replacement for: |  |           |  |
|                                       |  |          |  | Drawing-No.      |  |           |  |
|                                       |  |          |  | ST-NE8MX         |  |           |  |
| <b>NEUTRIK</b>                        |  |          |  |                  |  |           |  |