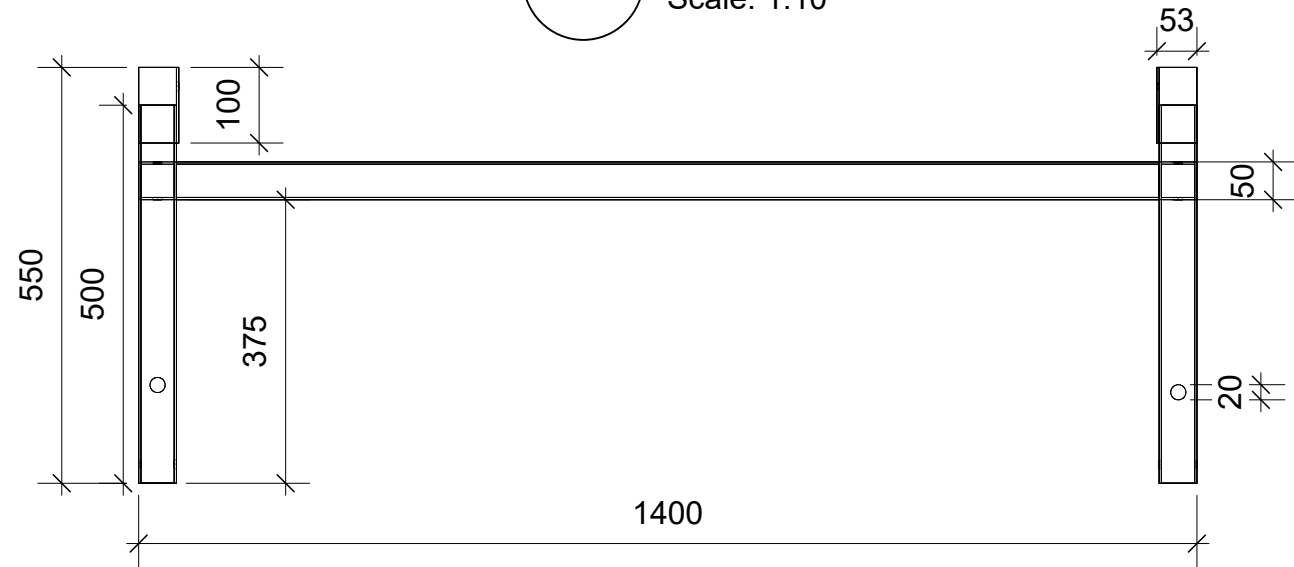
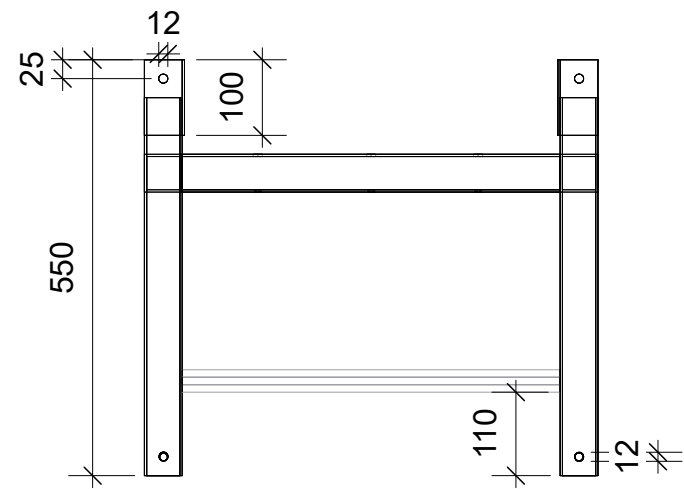


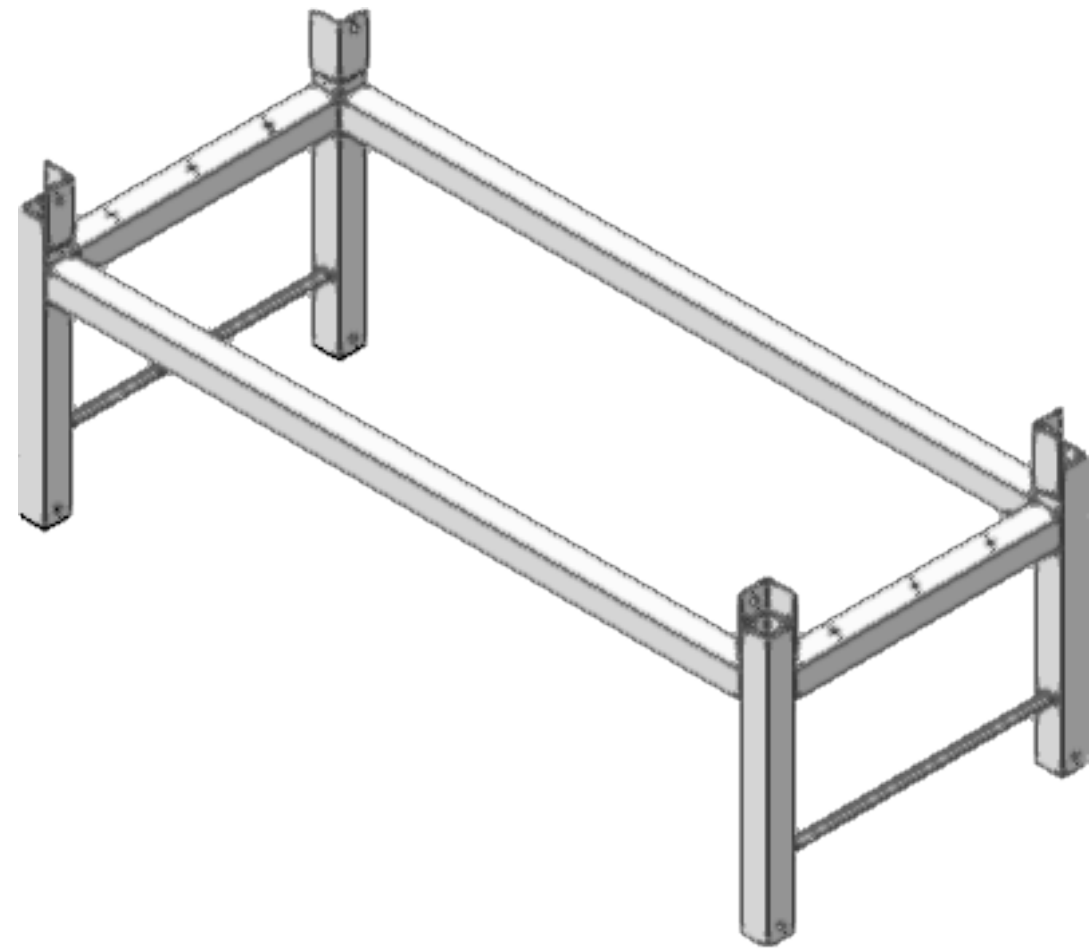
1 **Top Plan**
Scale: 1:10



2 **Side View**
Scale: 1:10



3 **Front**
Scale: 1:10



4 **Right Isometric**
Scale: 1:10

DESIGNED BY	<h1>elumen8</h1> <p>TITLE</p> <h2>Meat Rack Frame</h2>			
DRAWN BY				
CHECKED BY				
APPROVED BY				
OTHER APPROVALS	SIZE	CAGE CODE	DRAWING NUMBER	REV
CAD FILE NAME	SCALE 1:1	EST. WGT	SHEET	