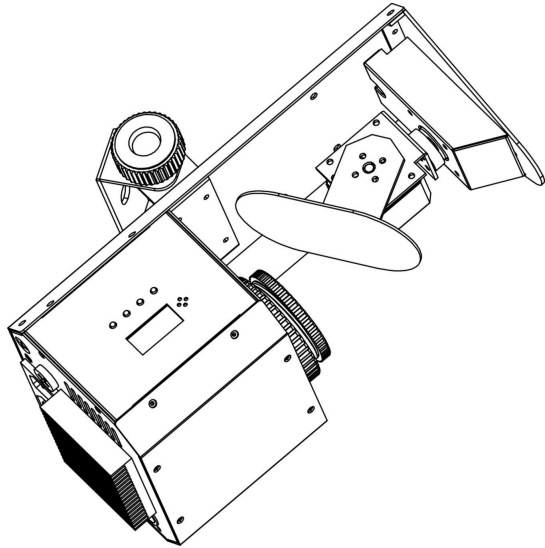


EQUINOX FUSION SCAN MAX MKIII



User Manual

EQLED052B

Contents

1. Safety Instructions
2. Features & Specifications
3. How To Set The Unit
4. Troubleshooting
5. Fixture Cleaning

1. Safety Instruction



WARNING

Please read the instructions carefully as they include important information about installation, usage and maintenance.

Please keep this User Guide for future consultation. If you sell the unit to another user be sure that they also receive this.

Unpack and check carefully that there is no transportation damage before using the unit.

- Before operating, ensure that the voltage and frequency of the power supply match the power requirements of the unit.
- It's important to ground the yellow/green conductor to earth in order to avoid electric shock.
- The unit is for indoor use only. Use only in a dry location.
- The unit must be installed in a location with adequate ventilation, at least 50cm from adjacent surfaces. Be sure that no ventilation slots are blocked.
- Disconnect the mains power before replacement or servicing.
- Make sure there are no flammable materials close to the unit while operating as they may cause a fire hazard.
- Always use a safety cable when installing this unit. Do not carry the unit with its head only; always carry it using the base.
- The maximum ambient temperature is: 40°. Don't operate it where the temperature is higher than this.
- In the event of a serious operating problem stop using the unit immediately. Never try to repair the unit by yourself. Repairs carried out by unskilled people can lead to damage or malfunction. Please contact the nearest authorized technical assistance center. Always use the same type spare parts.

- Do not touch any power cables during operation as the high voltage may cause an electric shock.

Warning

- To prevent or reduce the risk of electrical shock or fire, do not expose the unit to rain or moisture.
Do not open the unit within five minutes after switching off.
- The housing and lenses must be replaced if they are visibly damaged.
- This lighting fixture is for professional use only - it is not designed for or suitable for household use. The product must be installed by a qualified technician in accordance with local territory regulations. The safety of the installation is the responsibility of the installer. The fixture presents risks of severe injury or death due to fire hazards, electric shock and falls.
- Warning! Risk Group 2 LED product according to EN 62471. Do not view the light output with optical instruments or any device that may concentrate the beam.
- WARRANTY: One year from date of purchase.

Installation

The unit should be mounted via its screw holes onto the bracket. Always ensure that the unit is firmly fixed to avoid vibration and slipping while operating. Make sure that the structure to which you are attaching the unit to is secure and is able to support a weight of 10 times of the unit's weight. Always use a safety cable that can hold 12 times of the weight of the unit when installing the fixture.

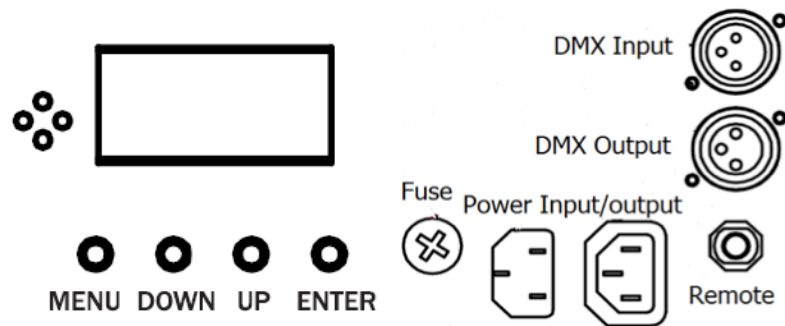
The equipment must be installed by professionals and it must be installed in a place where is out of the reach of people and no one can pass by or under it.

2. Features & Technical Specifications

- ◇ Control: Sound active, Auto, Master/slave and DMX-512 modes
- ◇ DMX Channels: 1CH/8CH/10CH
- ◇ Gobos/colours: 7 Gobos /colours+ open/white
- ◇ Electronic dimming: 0-100%

3. How To Set The Unit

3.1 Control panel & Display



Display

Shows the various menus and selected functions

Button

MENU	Selects the programming functions
DOWN	To go backward in the selected functions
UP	To go forward in the selected functions
ENTER	Confirms the selected functions

Mains input

Connection to the power supply.

DMX input/output

For DMX 512 linking. Use a 3-pin XLR cable to link to the controller or to other units.

Voltage:	100V~240V, 50/60Hz
Fuse:	T2.5A
Power consumption:	61W
Light source:	1 x 30W white LED
Dimension:	310 x 140 x 175mm
Weight:	2.8 kg
Pan/Tilt:	100°/54°
Power sockets:	IEC POWER INPUT/OUTPUT
XLR sockets:	3-pin XLR INPUT/OUTPUT

3.2 Main Functions

To select any of the given functions, press the **MENU** button up to where the required function is showing on the display. Select the function by pressing the **ENTER** button and the display will blink. Use the **DOWN** and **UP** buttons to change the mode. Once the required mode has been selected, press the **ENTER** button to confirm. To go back to the functions without any changes, press the **MENU** button again. Press and hold the **MENU** button for one second or wait for one minute to go back to the main menu.

The main functions are as below:

Menu	ADDR	001-512
	CHND	1CH/8CH/10CH
	SLND	MAST
		SL1
		SL2
	SPEED	SLOW
NORL		

	FAST
SOUN	ON
	OFF
SENS	000-100
LED	ON
	OFF
DISP→INVERT	
PAN INVERT	YES
	NO
TILT INVERT	YES
	NO
TEST	Self-Test
FHRS	
VER	Software Version
RSET	RSET

Addr DMX Address Setting

Press the **MENU** button to select **Addr**. Press the **ENTER** button and the display will blink. Use the **DOWN** and **UP** buttons to choose the address. Once the mode has been selected, press the **ENTER** button to confirm. To go back to the functions without any changes press the **MENU** button again. Press and hold the **MENU** button for one second or wait for one minute to go back to the main menu.

Chnd Channel Mode

Press the **MENU** button to select **Chnd**. Press the **ENTER** button and the display will blink. Use the **DOWN** and **UP** buttons to select the **1Ch** (1 Channel) mode, **8Ch**(8 Channel) mode or **10Ch**(10 Channel) mode. Once the mode has been selected, press the

ENTER button to confirm. To go back to the functions without any changes press the **MENU** button again. Press and hold the **MENU** button for one second or wait for one minute to go back to the main menu.

Mode Master Mode or Slave Mode

Press the **MENU** button to select **Slave**. Press the **ENTER** button and the display will blink. Use the **DOWN** and **UP** buttons to select the **SL1** (Slave 1), **SL2** (Slave 2) or **Master** mode. Once the mode has been selected, press the **ENTER** button to confirm. To go back to the functions without any changes press the **MENU** button again. Press and hold the **MENU** button for one second or wait for one minute to go back to the main menu.

SPED Show Mode

Press the **MENU** button to select **SPED**. Press the **ENTER** button and the display will blink. Use the **DOWN** and **UP** buttons to select the **Slow** (slow) or **Normal** (normal) or **Fast** (fast) mode. Once the mode has been selected, press the **ENTER** button to confirm. To go back to the functions without any changes press the **MENU** button again. Press and hold the **MENU** button for one second or wait for one minute to go back to the main menu.

SOUN Sound Mode

Press the **MENU** button to select **SOUN**. Press the **ENTER** button and the display will blink. Use the **DOWN** and **UP** buttons to select the **On** (sound on) or **Off** (sound off) mode. Once the mode has been selected, press the **ENTER** button to confirm. To go back to the functions without any changes press the **MENU** button again. Press and hold the **MENU** button for one second or wait for one minute to go back

to the main menu.

SEnS Sound Sensitivity

Press the **MENU** and use the **DOWN** and **UP** buttons to select **SEnS** and select the sound sensitivity between value 0 and 100. Press the **ENTER** button for confirmation after value selection. To go back to the functions without any changes press the **MENU** button again.

LEd Led Display

Press the **MENU** button to select **LEd**. Press the **ENTER** button and the display will blink. Use the **DOWN** and **UP** buttons to select the **On** (Led display on) or **OFF** (Led display off) mode. Once the mode has been selected, press the **ENTER** button to confirm. To go back to the functions without any changes press the **MENU** button again. Press and hold the **MENU** button for one second or wait for one minute to go back to the main menu.

dSP Display Inversion

Press the **MENU** button to select **dSP**. Press the **ENTER** button to change the mode **dSP**(display normal), it will be automatically saved after 8 seconds. Press the **ENTER** button again to select the mode **dSP** (display inversion). To go back to the functions press the **MENU** button. Press and hold the **MENU** button for one second or wait for one minute to go back to the main menu.

dSP Display normal mode is for floor standing the unit.

dSP Display inversion mode is for hanging the unit upside down.

PAIn Pan Inversion

Press the **MENU** button to select **PAIn**. Press the **ENTER** button

and the display will blink. Use the **DOWN** and **UP** buttons to select the **no** (normal) or **YES** (pan inversion) mode. Once the mode has been selected, press the **ENTER** button to confirm. To go back to the functions without any changes press the **MENU** button again. Press and hold the **MENU** button for one second or wait for one minute to go back to the main menu.

TIle Tilt Inversion

Press the **MENU** button to select **TIle**. Press the **ENTER** button and the display will blink. Use the **DOWN** and **UP** buttons to select the **no** (normal) or **YES**(tilt inversion) mode. Once the mode has been selected, press the **ENTER** button to confirm. To go back to the functions without any change press the **MENU** button again. Press and hold the **MENU** button for one second or wait for one minute to go back to the main menu.

TEST Auto-Test

Press the **MENU** button to select **TEST**. Press the **ENTER** button and the unit will run a self-test with its built-in programs. To go back to the functions without any changes press the **MENU** button again. Press and hold the **MENU** button for one second or wait for one minute to go back to the main menu.

Fhrs Fixture hours


Press the **MENU** button up to where **Fhrs** is blinking on the display. Press the **ENTER** button and the display will show the number of working hours of the unit. To go back to the functions press the **MENU** button.

ver Software version

Press the **MENU** button up to where **ver** is blinking on the display.


Press the **ENTER** button and the display will show the version of software of the unit. To go back to the functions press the **MENU** button.

Reset

Press the **MENU** button to select . Press the **ENTER** button and all channels of the unit will return to their standard position.

4. How To Control The Unit

1. Master/slave built-in preprogram function
2. Easy controller
3. Universal DMX controller

There is no need to turn the unit off when you change the DMX address as new DMX address setting will take effect at once. Every time you turn the unit on, it will show  on the display and move all the motors to their 'home' position and you may hear some noises for about 20 seconds. After that the unit will be ready to receive a DMX signal or run the built in programs.

4.1 Master/Slave Built In Preprogrammed Function


By linking the units in master/slave connection, the first unit will control the other units to give an automatic, sound activated show. The other units must be set to either **Slave 1** (normal) or **Slave 2** (2 light show) mode. A DMX cable between the units for daisy chaining is needed.

2-light show

In **slave mode**, **Slave 1** means the unit works normally and **Slave 2** means 2-light show. In order to create a great light show, you can set **Slave 2** on the second unit to get contrast movement to each other, even if you have two units only.

4.2 DMX Controller

Optimum control of the fixture can be achieved by using a universal

DMX controller, you will need to set a DMX address from 1 to 512 so that the units can receive a DMX signal. Press the **MENU** button until  is showing on the display. Press the **ENTER** button and the display will blink. Use the **DOWN** and **UP** buttons to change the DMX-512 address. Once the address has been selected, press the **ENTER** button to confirm. To go back to the functions without any changes press the **MENU** button again. Press and hold the **MENU** button one second or wait for one minute to go back to the main menu.

Please refer to the below diagram to address your first 4 units :

Channel mode	Unit 1 Address	Unit 2 Address	Unit 3 Address	Unit 4 Address
1 channel	1	2	3	4
8 channel	1	9	17	25
10 channel	1	11	21	31

4.3 DMX 512 Configuration

1 CHANNEL MODE

1	Function	000-007 008-255	No function Sound Active
---	----------	--------------------	-----------------------------

8 CHANNEL MODE

Channel	Function	Value	Percent / Setting
1	Pan	000-255	0~100%
2	Tilt	000-255	0~100%
3			
4	Gobo	000-007 008-015 016-023 024-031 032-039 040-047 048-055	Gobo 1 (Open) Gobo 2 Gobo 3 Gobo 4 Gobo 5 Gobo 6 Gobo 7

		056-063 064-071 072-079 080-087 088-095 096-103 104-111 112-119 120-127 128-189 190-193 194-255	Gobo 8 Gobo 1 Shake Gobo 2 Shake Gobo 3 Shake Gobo 4 Shake Gobo 5 Shake Gobo 6 Shake Gobo 7 Shake Gobo 8 Shake Gobo Scroll, Fast to Slow Stop Gobo Scroll , Slow to Fast
5	Shutter	000-007 008-015 016-131 132-139 140-181 182-189 190-231 232-239 240-247 248-255	Close Open Strobe Slow->Fast Open Fast Close Slow Open Open Fast Open Slow Close Open Random Strobe Open
6	Pan/Tilt Speed	000-255	Fast -> Slow
7	Function	000-069 070-079 080-089 090-099 100-109 110-119 120-199 200-209 210-249 250-255	No function Blackout while Pan/Tilt Move No function No function No function Blackout when Gobo changes No function Reset All No function Sound Active
8	Dimmer	000-255	0~100%

5			
6	Gobo	000-007 008-015 016-023 024-031 032-039 040-047 048-055 056-063 064-071 072-079 080-087 088-095 096-103 104-111 112-119 120-127 128-189 190-193 194-255	Gobo 1 (Open) Gobo 2 Gobo 3 Gobo 4 Gobo 5 Gobo 6 Gobo 7 Gobo 8 Gobo 1 Shake Gobo 2 Shake Gobo 3 Shake Gobo 4 Shake Gobo 5 Shake Gobo 6 Shake Gobo 7 Shake Gobo 8 Shake Gobo Scroll, Fast to Slow Stop Gobo Scroll , Slow to Fast
7	Shutter	000-007 008-015 016-131 132-139 140-181 182-189 190-231 232-239 240-247 248-255	Close Opne Strobe Slow->Fast Open Fast Close Slow Open Open Fast Open Slow Close Open Random Strobe Open
8	Pan/Tilt Speed	000-255	Fast -> Slow
9	Function	000-069 070-079 080-089 090-099 100-109 110-119 120-199 200-209 210-249 250-255	No function Blackout while Pan/Tilt Move No function No function No function Blackout when Gobo changes No function Reset All No function Sound Active
10	Dimmer	000-255	0~100%

10 CHANNEL MODE

Channel	Function	Value	Percent / Setting
1	Pan1	000 - 255	0~100%
2	Pan Fine	000 - 255	0~100%
3	Tilt	000-255	0~100%
4	Tilt Fine	000-255	0~100%

4.Troubleshooting

Following are a few common problems that may occur during operation and some suggestions for easy troubleshooting:

A. The unit does not work, no light and the fan does not work

1. Check the connection of the power and the main fuse.

B. Not responding to DMX controller

1. DMX LED should be on. If not, check DMX cables to see if linked correctly.
2. If the DMX address is showing but no response to the controller, check the address settings and DMX polarity.
3. Try another DMX controller.

C. No response to the sound

1. Make sure the unit is not receiving a DMX signal.
2. Check the microphone to see if it is good by tapping it. The microphone is located on the bottom plate of the unit.

5. Fixture Cleaning

The cleaning of external optical lenses must be carried out periodically to optimize light output. Cleaning frequency depends on the environment in which the fixture operates: damp, smoky or particularly dirty surrounding can cause a greater accumulation of dirt on the unit's optics.

Clean with a soft cloth using normal glass cleaning fluid or mild soapy water.

- Always dry the parts carefully.
- Clean the external optics at least every 20 days.

-----www.prolight.co.uk-----