

EQUINOX

C-Shot **Electric Confetti Launcher** User Manual



Order code: EQLED405

WARNING

FOR YOUR OWN SAFETY, PLEASE READ THIS USER MANUAL CAREFULLY BEFORE YOUR INITIAL START-UP!

- Before your initial start-up, please make sure that there is no damage caused during transportation.
- Should there be any damage, consult your dealer and do not use the equipment.
- To maintain the equipment in good working condition and to ensure safe operation, it is necessary for the user to follow the safety instructions and warning notes written in this manual.
- Please note that damages caused by user modifications to this equipment are not subject to warranty.



IMPORTANT:

The manufacturer will not accept liability for any resulting damages caused by the non-observance of this manual or any unauthorised modification to the equipment.

- Never let the power cable come into contact with other cables. Handle the power cable and all mains voltage connections with particular caution!
- Never remove warning or informative labels from the unit.
- Do not open the equipment and do not modify the unit.
- Do not connect this equipment to a dimmer pack.
- Only use the equipment indoors.
- Do not expose to flammable sources, liquids or gases.
- Always disconnect the power from the mains when equipment is not in use or before cleaning! Only handle the power-cable by the plug. Never pull out the plug by pulling the power-cable.
- Make sure that the available mains supply voltage is between 220~240V AC, 50/60Hz.
- Make sure that the power cable is never crimped or damaged. Check the equipment and the power cable periodically.
- If the equipment is dropped or damaged, disconnect the mains power supply immediately and have a qualified engineer inspect the equipment before operating again.
- If the equipment has been exposed to drastic temperature fluctuation (e.g. after transportation), do not connect power or switch it on immediately. The arising condensation might damage the equipment. Leave the equipment switched off until it has reached room temperature.
- If your product fails to function correctly, stop use immediately. Pack the unit securely (preferably in the original packing material), and return it to your Pro Light dealer for service.
- Only use fuses of same type and rating.
- Repairs, servicing and power connection must only be carried out by a qualified technician. **THIS UNIT CONTAINS NO USER SERVICEABLE PARTS.**
- This fixture is for professional use only - it is not designed for or suitable for household use. The product must be installed by a qualified technician in accordance with local territory regulations. The safety of the installation is the responsibility of the installer. The fixture presents risks of severe injury or death due to fire hazards, electric shock and falls.
- **WARRANTY:** One year from date of purchase.

OPERATING DETERMINATIONS

If this equipment is operated in any other way, than those described in this manual, the product may suffer damage and the warranty becomes void. Incorrect operation may lead to danger e.g: short-circuit, burns and electric shocks etc.

Do not endanger your own safety and the safety of others!

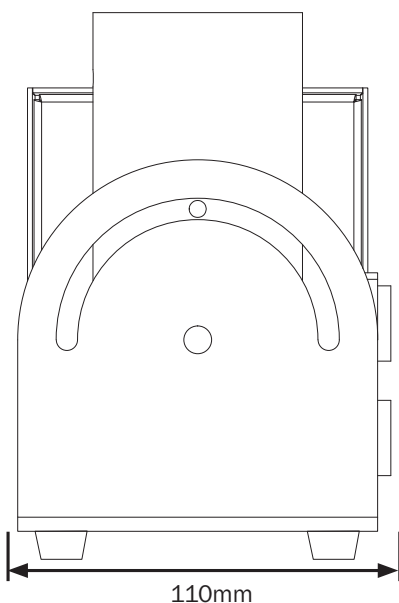
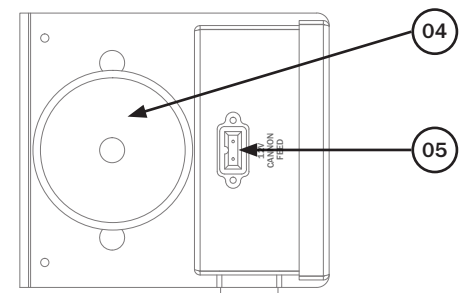
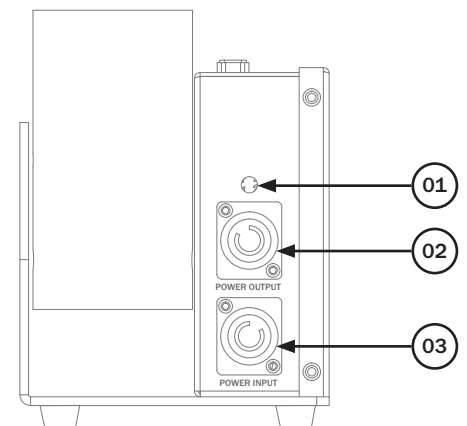
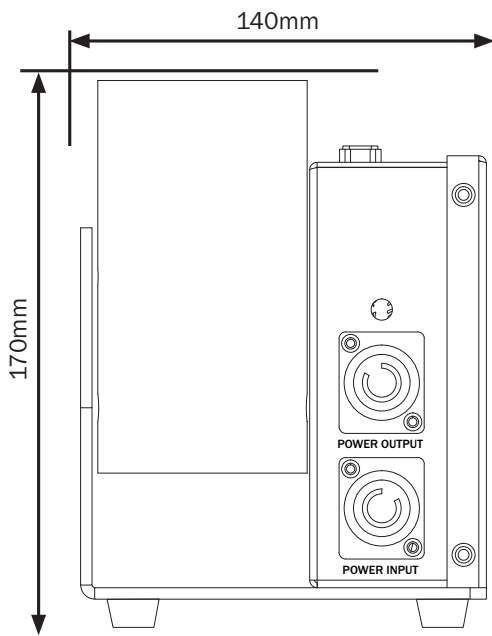
Incorrect installation or use can cause serious damage to people and/or property.

C-Shot Electric Confetti Launcher

The C-Shot is designed to fire confetti or streamers from pre-filled electric cannons. The unit can be activated via 220-240V switching or the Equinox Detonator control unit.

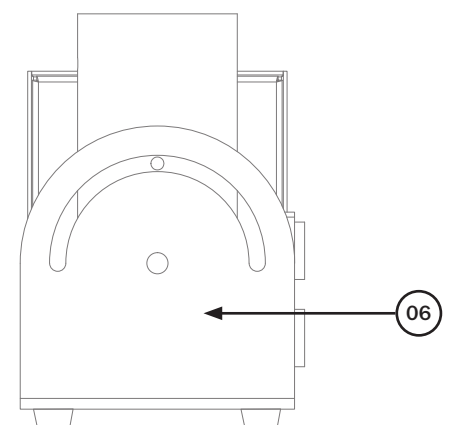
- For use with 50cm and 80cm electric cannons
- Adjustable firing angle
- Ideal for most electric confetti and streamer cannons
- PowerCON input/output

Specifications	
Power consumption	30W
Power supply	220-240V, 50/60Hz
Fuse	F2A 250V
Dimensions	170 x 110 x 140mm
Weight	1.8kg
Order code	EQLED405



- 01 - LED indicator
- 02 - PowerCON output
- 03 - PowerCON input
- 04 - Cartridge holder
- 05 - Cartridge inputs
- 06 - Cannon output holder vertical angle adjustment

In the box: 1 x fixture & 1 x power cable



Warning!

Prior to connection, isolate the power cable from any mains supply voltage, as the unit is designed to discharge immediately, when the input voltage is applied.

Do not aim the confetti tubes in the C-Shot at people, animals or any fixtures or fittings. The unit must have sufficient space to discharge its load (cartridge dependant). The distance between the crowd and the C-Shot should be at least 3 meters.

Operation:

1. Place the confetti tube into the holder and tighten the confetti tube with the rotary knob.
2. Plug the connector from the confetti tube to the connector in the C-Shot.
3. Prior to connection, isolate the power cable from any mains supply voltage, as the unit is designed to discharge immediately, when the input voltage is applied.
4. Apply power to the C-Shot to activate the release of the confetti or streamers from the tube.

The C-Shot can also be controlled with the Equinox Detonator control panel. When the C-Shot is powered with 220-240V, the output connector will supply power to the confetti tube that will fire the confetti.

Dependant on the length of cannon to be used, an optional ground plate (Order code: CONF022) may be required to stabilise the C-Shot.



Correct Disposal of this Product (Waste Electrical & Electronic Equipment)

**(Applicable in the European Union and other European countries
with separate collection systems)**

This marking shown on the product or its literature, indicates that it should not be disposed of with other household wastes at the end of its working life. To prevent possible harm to the environment or human health from uncontrolled waste disposal, please separate this from other types of wastes and recycle it responsibly to promote the sustainable reuse of material resources.

Household users should contact either the retailer where they purchased this product, or their local government office, for details of where and how they can take this item for environmentally safe recycling.

Business users should contact their supplier and check the terms and conditions of the purchase contract. This product should not be mixed with other commercial wastes for disposal.

