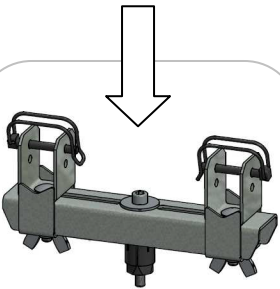
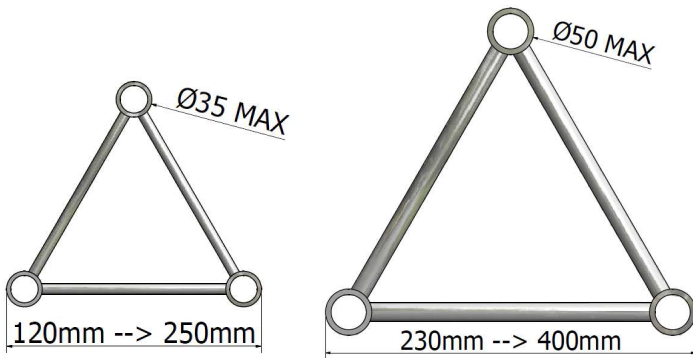
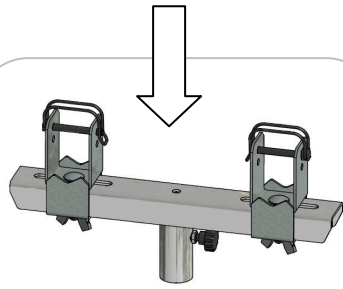


Fixing systems of the accessories

The Goliath Studio accessories can directly be fixed on the Ø35 adapter delivered with the lifter.



PF80101
Adjustable trussing support 250mm
Order Ref: STAN42



PF80102
Adjustable trussing support 400mm
Order Ref: STAN55



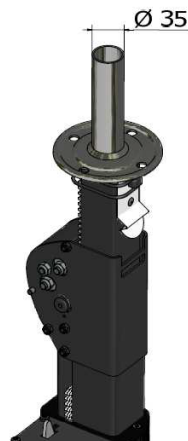
PF80108 – 6 projector mount bar
Order Ref: STAN45



PF80106 - Bar Ø50 Lg.1500mm
Order Ref: STAN44



PF80104
Projector mount - cup
Order Ref: STAN46



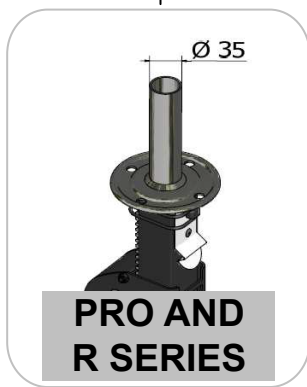
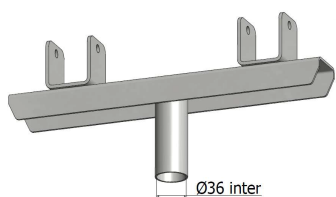
PRO AND R SERIES



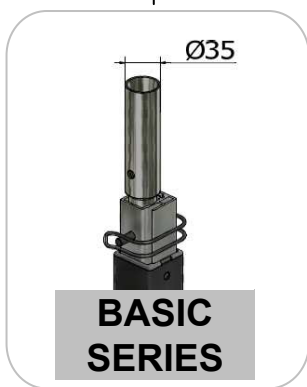
BASIC SERIES

How to adapt your accessories from other brands to the Goliath-studio lifters :

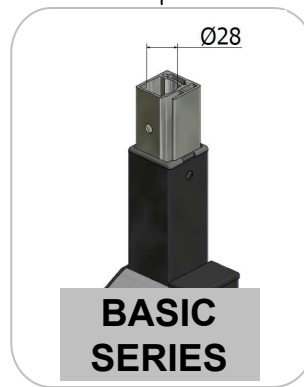
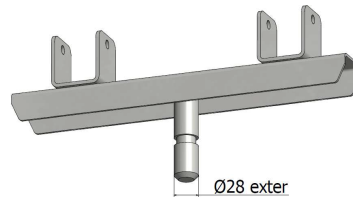
Case n° 1 : Accessory mounted on a tube Ø inter 36mm Mini



Fixation with the accessory delivered with the lifter

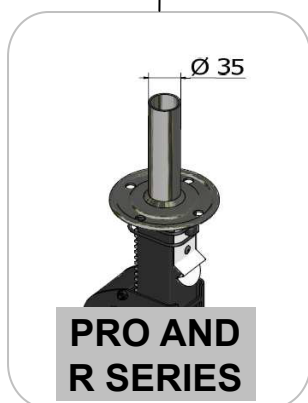
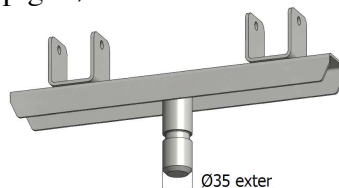


Case n° 2 : Accessory mounted on a spigot Ø exter 28mm



Fixation without adaptor

Case n° 3 : Accessory mounted on a spigot Ø exter 35mm



Fixation with the female-to-female Ø35 adaptor



Fixation without adaptor