



ADJ VIZI BEAM 12RX User Manual

©2020 ADJ PRODUCTS LLC all rights reserved. Information, specifications, diagrams, images, and instructions herein are subject to change without notice. ADJ logo and identifying product names and numbers herein are trademarks of ADJ PRODUCTS LLC. Copyright protection claimed includes all forms and matters of copyrightable materials and information now allowed by statutory or judicial law or hereinafter granted. Product names used in this document may be trademarks or registered trademarks of their respective companies and are hereby acknowledged. All non-ADJ brands and product names are trademarks or registered trademarks of their respective companies.

ADJ PRODUCTS LLC and all affiliated companies hereby disclaim any and all liabilities for property, equipment, building, and electrical damages, injuries to any persons, and direct or indirect economic loss associated with the use or reliance of any information contained within this document, and/or as a result of the improper, unsafe, insufficient and negligent assembly, installation, rigging, and operation of this product.

ADJ PRODUCTS LLC USA

6122 S. Eastern Ave. Los Angeles, CA 90040
323-582-2650 | Fax 323-532-2941 | www.adj.com | info@adj.com

ADJ SUPPLY Europe B.V

Junostraat 2 6468 EW Kerkrade, The Netherlands
+31 (0)45 546 85 00 | Fax +31 45 546 85 99 | www.adj.eu | info@americandj.eu

ADJ PRODUCTS GROUP Mexico

AV Santa Ana 30 Parque Industrial Lerma, Lerma, Mexico 52000 +52 (728) 282-7070 | ventas@adj.com

FCC STATEMENT

This device complies with Part 15 of the FCC Rules. Operation is subject to the following two conditions: (1) this device may not cause harmful interference, and (2) this device must accept any interference received, including interference that may cause undesired operation.

D O C U M E N T V E R S I O N



Due to additional product features and/or enhancements, an updated version of this document may be available online. Please check www.adj.com for the latest revision/update of this manual, before beginning installation and/or programming.

| Date | Document Version | SoftwareVersion \geq | DMX Channel Modes | Notes |
|------------|------------------|------------------------|-------------------|-----------------|
| 06/26/2020 | 1.0 | 1.2 | 13/17 | Initial Release |
| | | | | |
| | | | | |

C O N T E N T S

| | |
|---|-----------|
| General Information | 4 |
| Limited Warranty (USA Only) | 5 |
| Safety Guidelines | 6 |
| Discharge Lamp Warning | 8 |
| Maintenance Guidelines | 9 |
| Fixture Overview | 10 |
| Color Wheel | 11 |
| Gobo Wheel | 12 |
| Lamp Replacement | 13 |
| Installation Guidelines | 14 |
| System Menu | 18 |
| DMX Traits: Channel Functions & Values | 24 |
| Error Codes | 27 |
| Specifications | 28 |
| Optional Accessories | 31 |

GENERAL INFORMATION

INTRODUCTION

Please read and understand the instructions in this manual carefully and thoroughly before attempting to operate this device. These instructions contain important safety and use information.

This product is intended for use by professionally trained personnel only, and is not suitable for private use.

Unpacking

Every device has been thoroughly tested and has been shipped in perfect operating condition. Carefully check the shipping carton for damage that may have occurred during shipping. If the carton is damaged, carefully inspect the device for damage, and be sure all accessories necessary to install and operate the device have arrived intact. In the event damage has been found or parts are missing, please contact our customer support team for further instructions. Please do not return this device to your dealer without first contacting customer support. Please do not discard the shipping carton in the trash. Please recycle whenever possible.

BOX CONTENTS

Omega Brackets

1.83M locking power cable

Customer SUPPORT

Contact ADJ Service for any product related service and support needs. Also visit forums.adj.com with questions, comments or suggestions.

ADJ SERVICE USA - Monday - Friday 8:00am to 4:30pm PST
323-582-2650 | Fax: 323-832-2941 | support@adj.com

ADJ SERVICE EUROPE - Monday - Friday 08:30 to 17:00 CET
+31 45 546 85 60 | Fax: +31 45 546 85 96 | support@adj.eu

REPLACEMENT PARTS please visit parts.adj.com



I M P O R T A N T N O T I C E !

THERE ARE NO USER SERVICEABLE PARTS INSIDE THIS UNIT.

DO NOT ATTEMPT ANY REPAIRS YOURSELF; DOING SO WILL VOID YOUR MANUFACTURER'S WARRANTY. DAMAGES RESULTING FROM MODIFICATIONS TO THIS FIXTURE AND/OR THE DISREGARD OF SAFETY INSTRUCTIONS AND GUIDELINES IN THIS MANUAL VOID THE MANUFACTURER'S WARRANTY AND ARE NOT SUBJECT TO WARRANTY CLAIMS AND/OR REPAIRS.

LIMITED WARRANTY

- A. ADJ Products, LLC hereby warrants, to the original purchaser, ADJ Products, LLC products to be free of manufacturing defects in material and workmanship for a prescribed period from the date of purchase (see specific warranty period on reverse). This warranty shall be valid only if the product is purchased within the United States of America, including possessions and territories. It is the owner's responsibility to establish the date and place of purchase by acceptable evidence, at the time service is sought.
- B. For warranty service, you must obtain a Return Authorization number (RA#) before sending the product back— please contact ADJ Products, LLC Service Department at 800-322-6337. Send the product only to the ADJ Products, LLC factory. All shipping charges must be prepaid. If the requested repairs or service (including parts replacement) are within the terms of this warranty, ADJ Products, LLC will pay return shipping charges only to a designated point within the United States. If the entire instrument is sent, it must be shipped in its original package and packaging material. No accessories should be shipped with the product. If any accessories are shipped with the product, ADJ Products, LLC shall incur no liability whatsoever for loss of or damage to any such accessories, nor for the safe return thereof.
- C. This warranty is void if the product serial number and/or labels are altered or removed; if the product is modified in any manner which ADJ Products, LLC concludes, after inspection, affects the reliability of the product; if the product has been repaired or serviced by anyone other than the ADJ Products, LLC factory unless prior written authorization was issued to purchaser by ADJ Products, LLC; if the product is damaged because it was not properly maintained as set forth in the product instructions, guidelines and/or user manual.
- D. This is not a service contract, and this warranty does not include maintenance, cleaning, or periodic checkup. During the period specified above, ADJ Products, LLC will replace defective parts at its expense with new or refurbished parts, and will absorb all expenses for warranty service and repair labor by reason of defects in material or workmanship. The sole responsibility of ADJ Products, LLC under this warranty shall be limited to the repair of the product, or replacement thereof, including parts, at the sole discretion of ADJ Products, LLC. All products covered by this warranty were manufactured after August 15, 2012, and bear identifying marks to that effect.
- E. ADJ Products, LLC reserves the right to make changes in design and/or improvements upon its products without any obligation to include these changes in any products theretofore manufactured.
- F. No warranty, whether expressed or implied, is given or made with respect to any accessory supplied with products described above. Except to the extent prohibited by applicable law, all implied warranties made by ADJ Products, LLC in connection with this product, including warranties of merchantability or fitness, are limited in duration to the warranty period set forth above. And all warranties, whether expressed or implied, including warranties of merchantability or fitness, are limited in duration to the warranty period set forth above. The consumer's and/or dealer's sole remedy shall be such repair or replacement as is expressly provided above; and under no circumstances shall ADJ Product, LLC be liable for any loss and/or damage, direct and/or consequential arising out of the use of, and/or inability to use this product.
- G. This warranty is the only written warranty applicable to ADJ Products, LLC products, and supersedes all prior warranties and written descriptions of warranty terms and conditions heretofore published.

MANUFACTURER'S LIMITED WARRANTY PERIODS:

Non-LED Lighting Products = 1-Year (365 Days) (Including Special Effect Lighting, Intelligent Lighting, UV lighting, Strobes, Fog Machines, Bubble Machines, Mirror Balls, Par Cans, Trussing, Lighting Stands, Power/Data Distribution, etc. excluding LED and lamps)

Laser Products = 1-Year (365 Days) (excluding laser diodes which have a 6-Month Limited Warranty)

LED Products = 2-Year (730 Days) (excluding batteries which have a 180 Day Limited Warranty)

NOTE: 2-Year (730 Days) Limited Warranty ONLY applies to product purchased within the United States.

StarTec Series = 1-Year (365 Days) (excluding batteries which have a 180 Day Limited Warranty)

ADJ DMX Controllers = 2 Year (730 Days)

American Audio Products = 1 Year (365 Days)

CUSTOMER SUPPORT INFORMATION

Contact ADJ Service for any product related service and support needs.

Also visit forums.adj.com with questions, comments or suggestions.

ADJ SERVICE USA - Monday - Friday 8:00am to 4:30pm PST
323-582-2650 | Fax: 323-832-2941 | support@adj.com

ADJ SERVICE EUROPE - Monday - Friday 08:30 to 17:00 CET
+31 45 546 85 60 | Fax: +31 45 546 85 96 | support@adj.eu

SAFETY GUIDELINES

This fixture is a sophisticated piece of electronic equipment. To guarantee smooth operation, it is important to follow all instructions and guidelines in this manual. ADJ PRODUCTS, LLC is not responsible for injury and/or damages resulting from the misuse of this fixture due to the disregard of the information printed in this manual. Only qualified and/or certified personnel should perform installation of this fixture and only the original rigging parts included with this fixture should be used for installation. Any modifications to the fixture and/or the included mounting hardware will void the original manufacturer's warranty and increase the risk of damage and/or personal injury.



PROTECTION CLASS 1 - FIXTURE MUST BE PROPERLY GROUNDED



THERE ARE NO USER SERVICEABLE PARTS INSIDE THIS UNIT. DO NOT ATTEMPT ANY REPAIRS YOURSELF; DOING SO WILL VOID YOUR MANUFACTURER'S WARRANTY. DAMAGES RESULTING FROM MODIFICATIONS TO THIS FIXTURE AND/OR THE DISREGARD OF SAFETY INSTRUCTIONS AND GUIDELINES IN THIS MANUAL VOID THE MANUFACTURE'S WARRANTY AND ARE NOT SUBJECT TO ANY WARRANTY CLAIMS AND/OR REPAIRS.



**DO NOT PLUG FIXTURE INTO A DIMMER PACK!
NEVER OPEN THIS FIXTURE WHILE IN USE!
UNPLUG POWER BEFORE SERVICING FIXTURE!
NEVER TOUCH FIXTURE DURING OPERATION, AS IT MAY BE HOT!
KEEP FLAMMABLE MATERIALS AWAY FROM FIXTURE!**



**NEVER LOOK DIRECTLY INTO THE LIGHT SOURCE!
RETINA INJURY RISK - MAY INDUCE BLINDNESS!
SENSITIVE PERSONS MAY SUFFER AN EPILEPTIC SHOCK!**



**INDOOR / DRY LOCATIONS USE ONLY!
DO NOT EXPOSE FIXTURE TO RAIN AND MOISTURE!**



**MINIMUM DISTANCE TO OBJECTS/SURFACES
MUST BE 6.6 FEET (2 METERS)
MAXIMUM TEMP OF EXTERNAL SURFACE 185° F (85°C)
MINIMUM DISTANCE OF INFLAMMABLE MATERIALS
FROM THE SURFACE 1.6 FEET (0.5 METER)**

WARNING



Minimum distance to lighted objects 15.0 meters.
Maximum temperature of the external surface 100°C.
Minimum distance of inflammable materials from the surface 0.5m.

SAFETY GUIDELINES



HIGH INTENSITY ULTRAVIOLET LIGHT



AVOID DIRECT EYE & SKIN EXPOSURE.
WEAR PROPER EYE & SKIN PROTECTION.
SEE MANUAL FOR SAFETY INSTRUCTIONS.

RISK GROUP 3 - RISK OF EXPOSURE TO ULTRAVIOLET UV RADIATION! FIXTURE EMITS HIGH INTENSITY WAVELENGTH OF ULTRAVIOLET UV LIGHT FROM THE UV COLOR FILTER. WEAR PROPER EYE AND SKIN PROTECTION. AVOID PROLONGED PERIODS OF EXPOSURE TO UV COLOR FILTER. AVOID WEARING WHITE COLOR CLOTHING AND/OR USING UV PAINTS ON SKIN. AVOID DIRECT EYE AND/OR SKIN EXPOSURE AT DISTANCES LESS THAN 11 feet (3.3m). DO NOT OPERATE FIXTURE WITH DAMAGED/MISSING EXTERNAL COVERS. DO NOT LOOK DIRECTLY INTO THE UV LIGHT AND/OR VIEW UV LIGHT DIRECTLY WITH OPTICAL INSTRUMENTS

THAT MAY CONCENTRATE THE LIGHT/RADIATION OUTPUT. INDIVIDUALS SUFFERING FROM A RANGE OF EYE CONDITIONS, SUNLIGHT EXPOSURE DIS-ORDERS, OR INDIVIDUALS USING PHOTSENSITIVE MEDICATION, MAY RECEIVE DISCOMFORT IF EXPOSED TO THE ULTRAVIOLET UV LIGHT EMITTED FROM THE UV LED.

DO NOT TOUCH the fixture housing during operation. Turn OFF the power and allow approximately 60 minutes for the fixture to cool down before serving.

DO NOT shake fixture, avoid brute force when installing and/or operating fixture.

DO NOT operate fixture if the power cord is frayed, crimped, damaged and/or if any of the power cord connectors are damaged and do not insert into the fixture securely with ease. **NEVER** force a power cord connector into the fixture. If the power cord or any of its connectors are damaged, replace it immediately with a new one of similar power rating.

DO NOT block any air ventilation slots.

All fan and air inlets must remain clean and never blocked.

Allow approx. 6" (15cm) between fixture and other devices or a wall for proper cooling.

When installing fixture in a suspended environment, always use mounting hardware that is no less than M10 x 25 mm, and always install fixture with an appropriately rated safety cable.

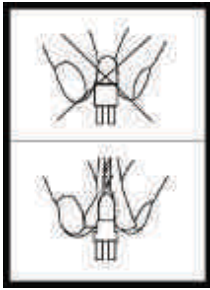
Always disconnect fixture from main power source before performing any type of service and/or cleaning procedure. Only handle the power cord by the plug end, never pull out the plug by tugging the wire portion of the cord.

During the initial operation of this fixture, a light smoke or smell may emit from the interior of the fixture. This is a normal process and is caused by excess paint in the interior of the casing burning off from the heat associated with the lamp and will decrease gradually over time.

Consistent operational breaks will ensure fixture will function properly for many years.

ONLY Use original packaging and materials to transport the fixture in for service.

DISCHARGE LAMP WARNING



This fixture is fitted with a DISCHARGE LAMP, which is highly susceptible to damage if improperly handled. **NEVER** touch the lamp with your bare hands, as the oil from your hands will shorten the life of the lamp. **NEVER** move the fixture until the lamp has had ample time to cool. DISCHARGE LAMPS are **NOT** covered under warranty conditions. Avoid switching the fixture ON and OFF repeatedly in short intervals, as this will reduce lamp life and intensity. To achieve the intensity associated with discharge lamps, these lamps use gas sealed in a high-pressure environment to emit a brilliant output.

Due to the high pressure involved with the construction of the lamp, it **MAY EXPLODE DURING PROLONGED EXTENSIVE USE**. This risk is increased with age; added care is encouraged when dealing with older lamps. Thus, the lamp must always be replaced at the end of their recommended duty cycle. Extreme caution should be used when operating this or any fixture fitted with a gas discharge lamp.

UV RADIATION NOTICE



THIS FIXTURE EMITS INTENSE UV RADIATION, WHICH IS HARMFUL TO THE EYES AND SKIN. THE INTENSE LUMINESCENCE OF THE LAMP CAN CAUSE SEVERE DAMAGE TO THE RETINA. NEVER OPERATE THIS FIXTURE WITH ANY OF THE PROTECTIVE COVERS REMOVED. THESE COVERS HAVE BEEN SPECIALLY DESIGNED TO SHIELD AGAINST UV RADIATION.

LAMP REPLACEMENT



USE ONLY GENUINE ORIGINAL PHILIPS™ LAMPS. OTHER BRAND LAMPS WILL CAUSE DAMAGE AND WILL VOID FIXTURE WARRANTY!



DISCONNECT THE MAIN POWER SUPPLY BEFORE REPLACING LAMP!

FIXTURE MUST COOL FOR 60 minutes BEFORE REPLACING LAMP!

**NEVER TOUCH LAMP WITH BARE HANDS, ALWAYS WEAR GLOVES!
OIL FROM HANDS WILL SHORTEN LIFE OF LAMP!**



MAKE SURE ALL COVERS/FIXTURES ARE REPLACED/SECURED BEFORE OPERATING FIXTURE TO PREVENT ANY RISK AND/OR DAMAGE TO EYE RETINA FROM UV RADIATION EXPOSURE!

MAINTENANCE GUIDELINES



DISCONNECT POWER BEFORE PERFORMING ANY MAINTENANCE!

CLEANING

Frequent cleaning is recommended to ensure proper function, optimized light output, and an extended life. The frequency of cleaning depends on the environment in which the fixture operates: damp, smoky, or particularly dirty environments can cause greater accumulation of dirt on the fixture's optics. Clean the external lens surface periodically with a soft cloth to avoid dirt/debris accumulation.

NEVER use alcohol, solvents, or ammonia-based cleaners.

MAINTENANCE

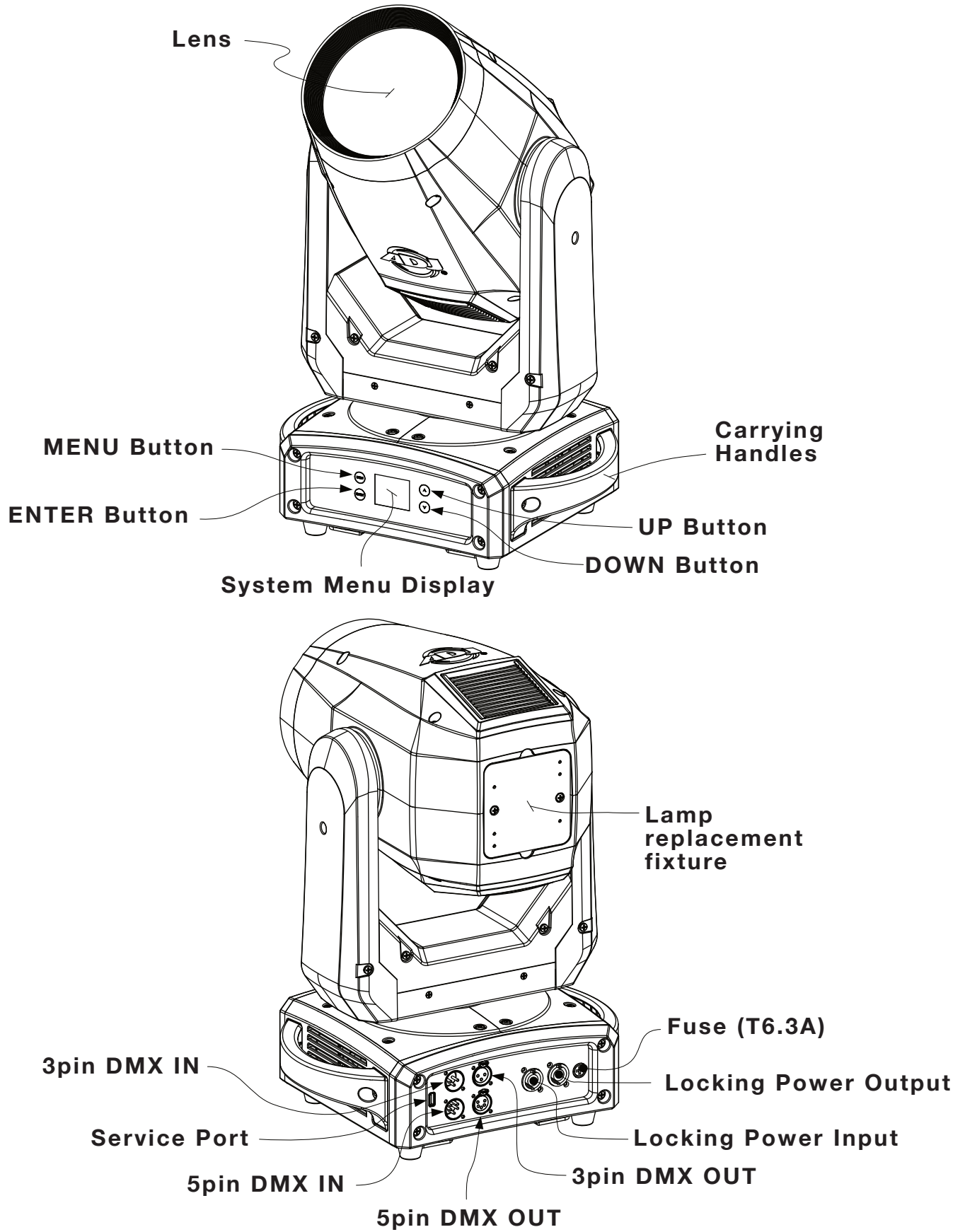
Regular inspections are recommended to ensure proper function and extended life.

There are no user serviceable parts inside this fixture, please refer all other service issues to an authorized ADJ service technician. Should you need any spare parts, please order genuine parts from your local ADJ dealer.

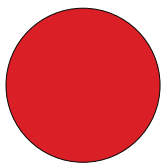
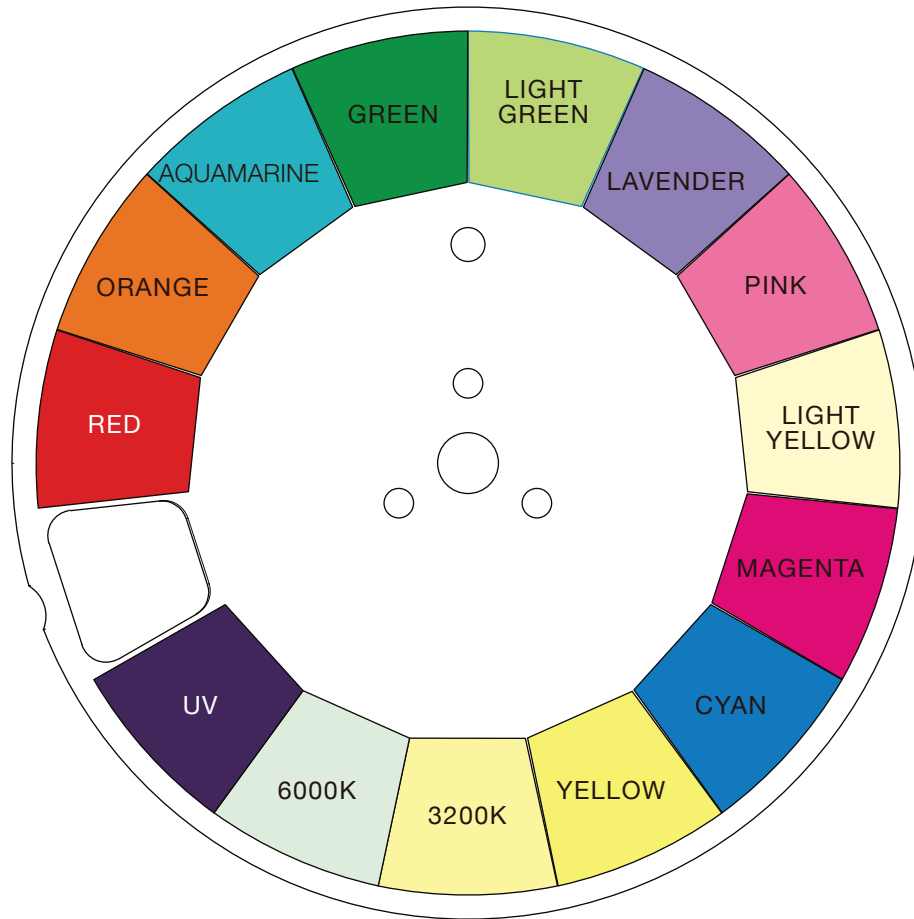
Please refer to the following points during routine inspections:

- A detailed electrical check by an approved electrical engineer every three months, to make sure the circuit contacts are in good condition in order to prevent overheating.
- Be sure all screws and fasteners are securely tightened at all times. Loose screws may fall out during normal operation, resulting in damage or injury as larger parts could fall.
- Check for any deformations on the housing, color lenses, rigging hardware, and rigging points (ceiling, suspension, trussing). Deformations in the housing could allow for dust or liquids to enter into the fixture. Damaged rigging points or unsecured rigging could cause fixture to fall and seriously injure a person(s).
- Electric power supply cables must not show any damage, material fatigue, or sediments.
- **NEVER** remove the ground prong from the power cable.

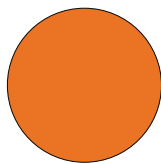
FIXTURE OVERVIEW



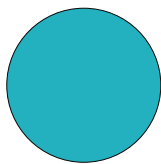
COLOR WHEEL



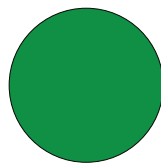
RED



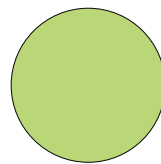
ORANGE



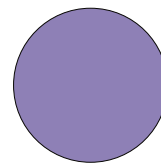
AQUAMARINE



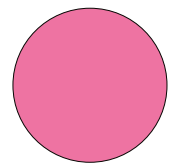
GREEN



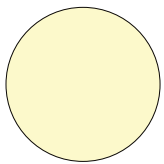
LIGHT GREEN



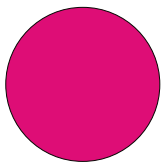
LAVENDER



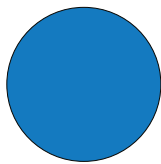
PINK



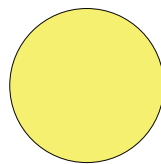
LIGHT YELLOW



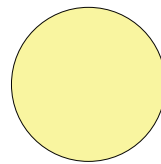
MAGENTA



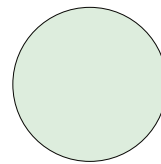
CYAN



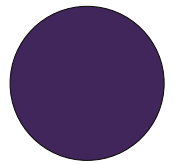
YELLOW



3200k

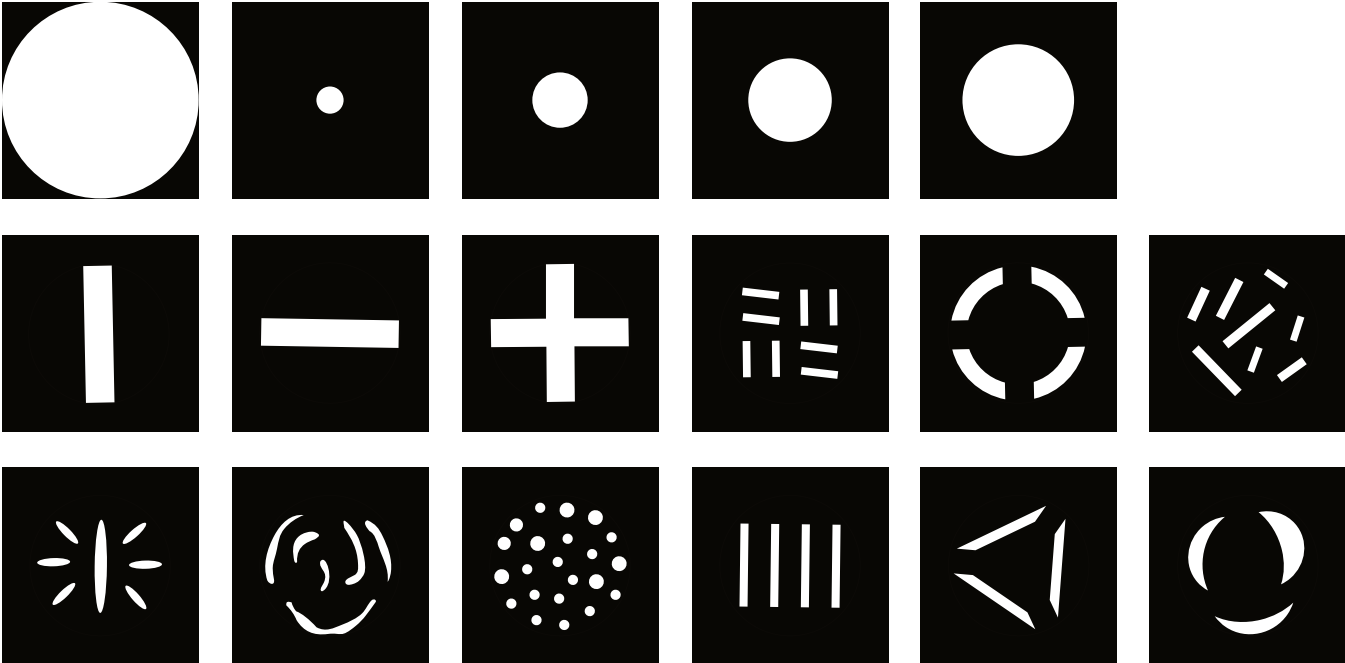
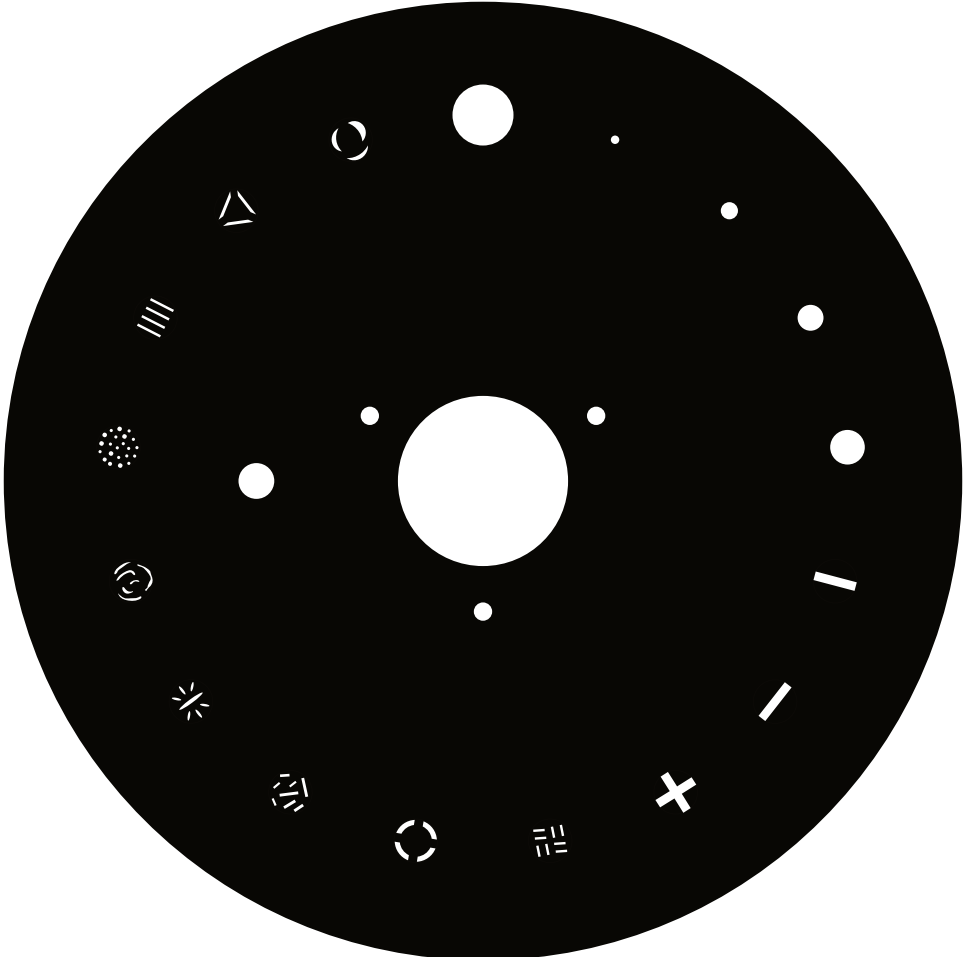


6000k



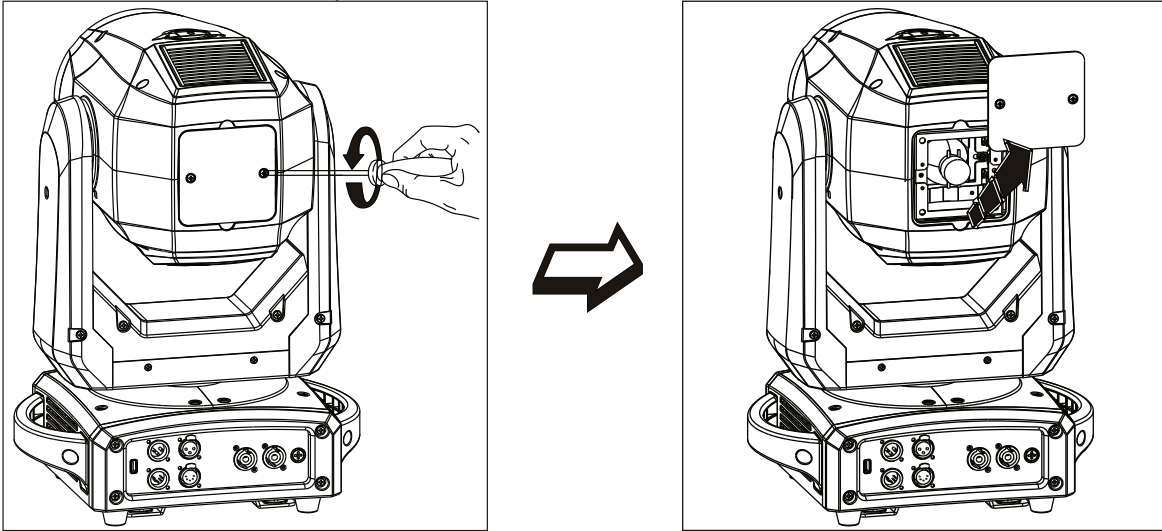
UV

GOBO WHEEL

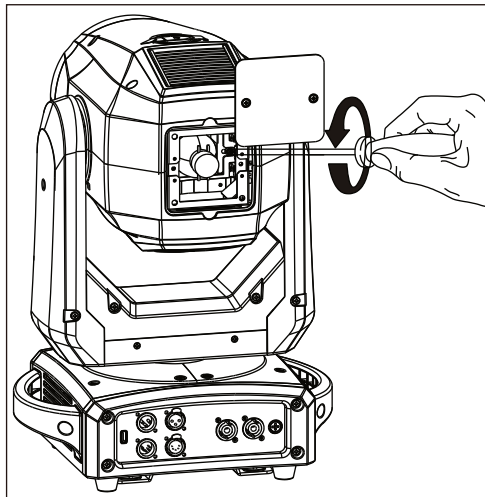


LAMP REPLACEMENT

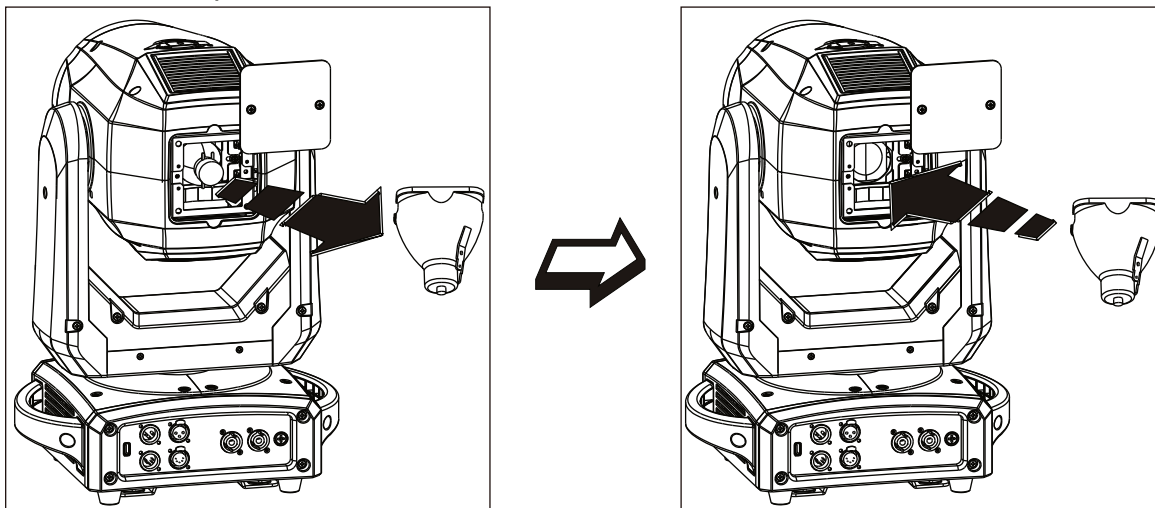
Please replace the lamp after 2000 Hours, and clear the lamp running time in the menu. Loosen the two screws and open the fixture head covers.



Loosen the screw in the recess.



Lift the lamp out of its recess, disconnect the lamp and replace it with a new Philips MSD Platinum 12 R LL lamp..



INSTALLATION GUIDELINES



FLAMMABLE MATERIAL WARNING

Keep fixture minimum 5.0 feet (1.5m) away from flammable materials and/or pyrotechnics.



ELECTRICAL CONNECTIONS

A qualified electrician should be used for all electrical connections and/or installations.



USE CAUTION WHEN POWER LINKING OTHER MODEL FIXTURES AS THE POWER CONSUMPTION OF OTHER MODEL FIXTURES MAY EXCEED THE MAX POWER OUTPUT ON THIS FIXTURE. CHECK SILK SCREEN FOR MAX AMPS.



**MINIMUM DISTANCE TO OBJECTS/SURFACES
MUST BE 6.6 FEET (2 METERS)**



**MINIMUM DISTANCE OF INFLAMMABLE MATERIALS
FROM THE SURFACE 1.6 FEET (0.5 METER)**



MAXIMUM TEMPERATURE OF EXTERNAL SURFACE 185° F (85°C)

DO NOT INSTALL THE FIXTURE IF YOU ARE NOT QUALIFIED TO DO SO!

Fixture **MUST** be installed following all local, national, and country commercial electrical and construction codes and regulations.

Before rigging/mounting a single fixture or multiple fixtures to any metal truss/structure or placing the fixture(s) on any surface, a professional equipment installer **MUST** be consulted to determine if the metal truss/structure or surface is properly certified to safely hold the combined weight of the fixture(s), clamps, cables, and accessories.

Fixture ambient operating temperature range is **14° to 113°F. (-10° to 45°C).**

Do not Use fixture under or above this temperature.

Fixture(s) should be installed in areas outside walking paths, seating areas, or away from areas were unauthorized personnel might reach the fixture by hand.

NEVER stand directly below the fixture(s) when rigging, removing or servicing.

Overhead fixture installation must always be secured with a secondary safety attachment, such as an appropriately rated safety cable.

Allow approximately 60 minutes for the fixture to cool down before servicing.

RIGGING

Overhead rigging requires extensive experience, including among others calculating working load limits, installation material being used, and periodic safety inspection of all installation material and the fixture. If you lack these qualifications, do not attempt the installation yourself. Improper installation can result in bodily injury.

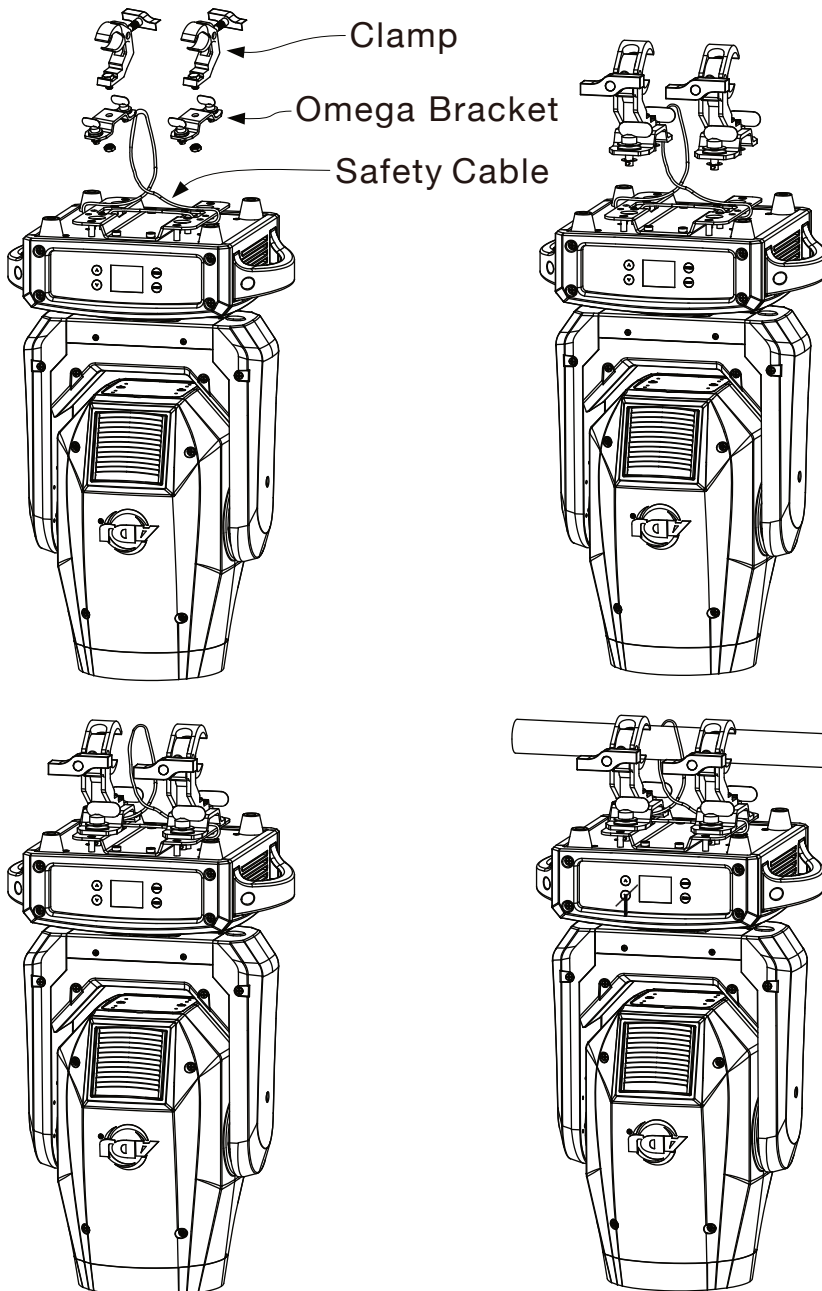


ALWAYS ATTACH AN APPROPRIATELY RATED SAFETY CABLE (NOT INCLUDED) THAT MEETS ALL LOCAL, NATIONAL, AND COUNTRY CODES AND REGULATIONS WHENEVER INSTALLING FIXTURE IN A SUSPENDED ENVIRONMENT!

INSTALLATION GUIDELINES

OMEGA BRACKETS INSTALLATION

Insert the Omega Brackets into the matching holes on the bottom of the fixture. Secure the Omega Brackets to the fixture by turning each quick-lock fastener ¼ turn clockwise; making sure the fastener is completely locked. Omega Brackets can be installed into the fixture base as illustrated below.



SAFETY CABLE

ALWAYS ATTACH A SAFETY CABLE WHENEVER INSTALLING THIS FIXTURE IN A SUSPENDED ENVIRONMENT TO ENSURE THE FIXTURE WILL NOT FALL IF THE CLAMP FAILS.

CLAMP INSTALLATION

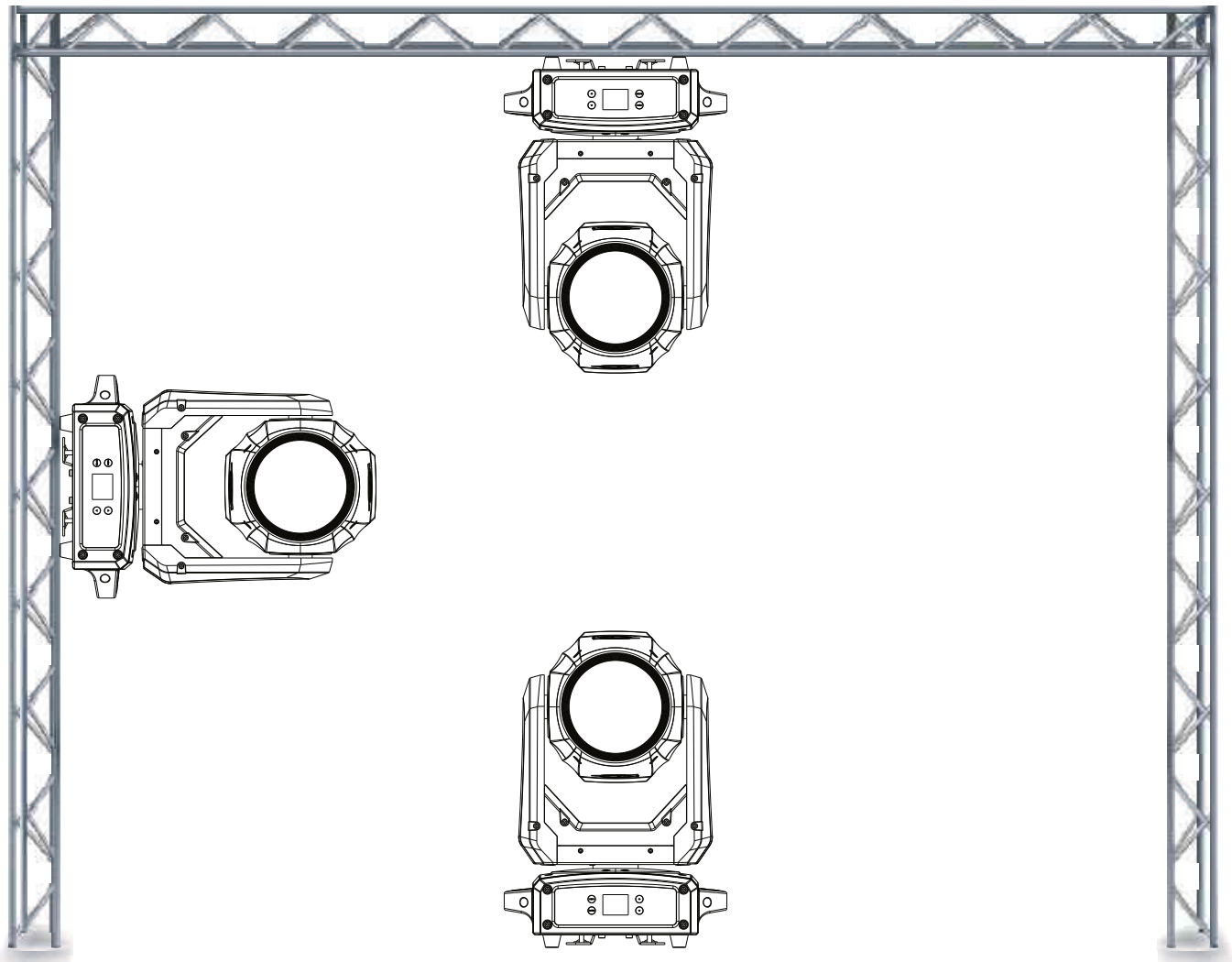
When mounting fixture to truss, be sure to secure an appropriately rated professional grade rigging clamp to the included **Omega Brackets** using an M10 screw fitted through the center hole of the **Omega Brackets**. The fixture provides built-in rigging points for a **SAFETY CABLE** (not included). Be sure to only use one of the designated rigging points for the safety cable and never secure a safety cable to a carrying handle.

INSTALLATION GUIDELINES

RIGGING

Overhead rigging requires extensive experience, including among others, calculating working load limits, installation material being used, and periodic safety inspection of all installation material and the fixture. If you lack these qualifications, do not attempt the installation yourself. Improper installation can result in bodily injury.

This fixture is designed to be mounted vertically (hanging or upright), or horizontally (perpendicular to vertical axis) only.



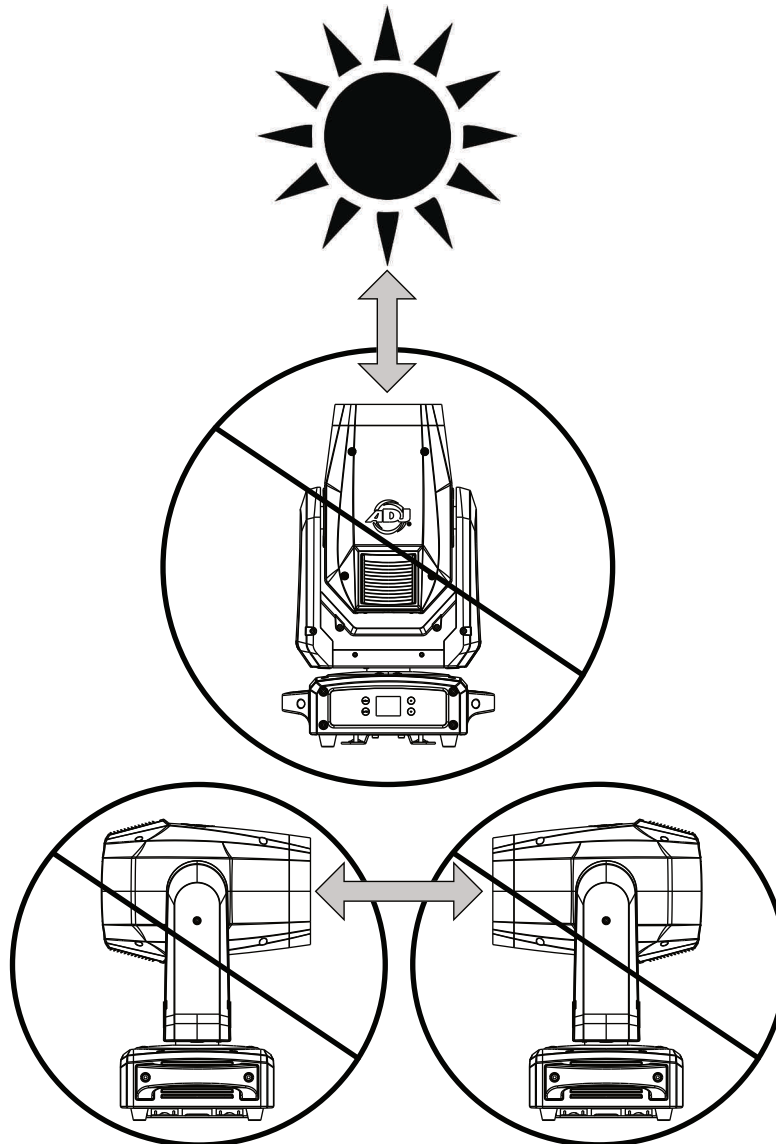
INSTALLATION GUIDELINES

POTENTIAL INTERNAL FIXTURE DAMAGE FROM EXTERNAL SOURCES OF LIGHT BEAMS

External sources of light beams from direct sunlight, lighting moving head fixtures, and lasers, which are focused directly towards the exterior housing and/or penetrate the front lens opening of ADJ lighting fixtures, can cause severe internal damage including burning to optics, dichroic color filters, glass and metal gobos, prisms, animation wheels, frost filters, iris, shutters, motors, belts, wiring, discharge lamps, and LEDs.

This issue is not specific to ADJ lighting fixtures, it is a common issue with lighting fixtures from all manufacturers. Although there is no true way to fully prevent this issue from happening, the following guidelines can prevent any potential damage from occurring if followed. Contact ADJ Service for more details.

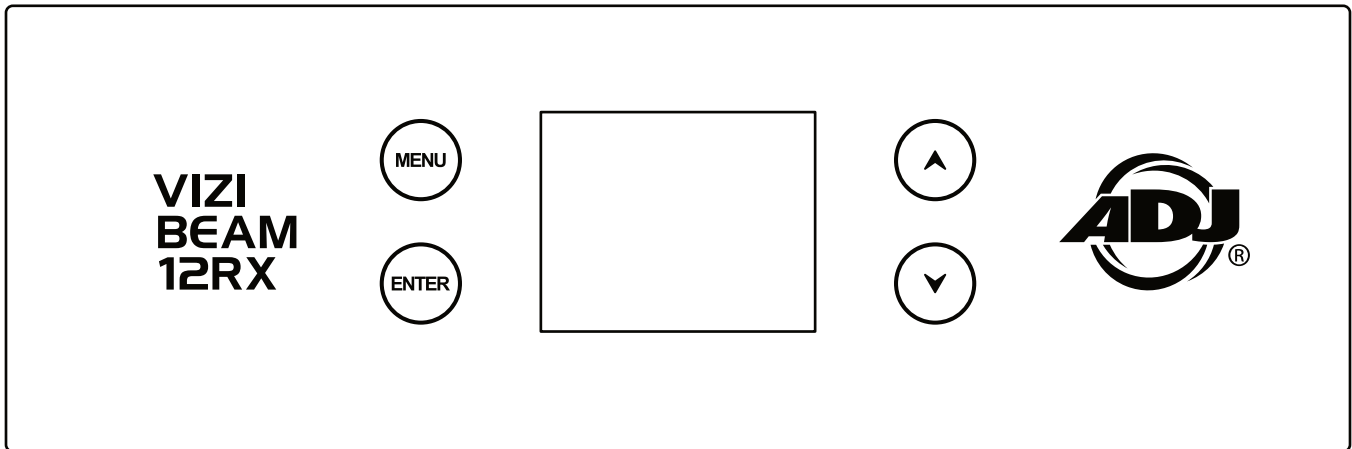
DO NOT EXPOSE THE FIXTURE AND/OR FRONT LENS OPENING TO LIGHT BEAMS FROM DIRECT SUNLIGHT, OTHER LIGHTING MOVING HEAD FIXTURES, AND LASERS WHILE UNPACKING, INSTALLATION, USE, AND EXTENDED IDLE TIMES OUTDOORS. DO NOT FOCUS A LIGHT BEAM FROM ONE LIGHTING FIXTURE DIRECTLY TOWARDS ANOTHER.



SYSTEM MENU

The fixture includes an easy to navigate system menu. The control panel located on the front of the fixture provides access to the main system menu, and is where all necessary system adjustments are made to the fixture. During normal operation, pressing MENU button once will access the fixture's main menu. Once in the main menu you can navigate through the different functions and access the sub-menus with the UP and DOWN buttons. Once you reach a field that requires adjusting, press ENTER button to activate that field and Use UP and DOWN buttons to adjust field. Pressing the ENTER button once more will confirm your setting. You may exit the main menu at any time without making any adjustments by pressing the **MENU** button.

To access the LCD Menu Control Display via the internal battery, press and hold the MENU button for 1 second. The LCD Menu Control Display will automatically shut OFF and exit the system menu after 15 minutes (to toggle hibernation mode on or off, or change hibernation timer, select Personality / Status Settings / Hibernation).



SYSTEM MENU

ADJ VIZI BEAM 12RX - SYSTEM MENU

Default setting shown in bold

Supports Software Versions: 1.2

| MAIN MENU | OPTIONS / VALUES (Default Settings in BOLD) | | DESCRIPTION | |
|---------------------|---|---|---|---|
| DMX Settings | DMX Address | 001 - 512 | Shall be used to set the units starting DMX address channel. Depending on set DMX mode, unit shall not allow to be addressed any higher that will not allow for all channels to be accessed from the console. | |
| | DMX Channel Mode | 13ch, 17ch | Shall be used to set the units desired DMX mode. | |
| | No DMX Status | Hold Last | Shall be used to set the units behavior when DMX signal is not present. Hold shall be the default setting and unit shall hold all last channel values received from the console when signal is lost. | |
| | | Blackout | Blackout option shall take all channels to zero (0) when signal is lost. | |
| Manual | | Manual Settings option shall take all channels to the last set Manual channel settings when signal is lost. | | |
| Personality | Status Settings | Pan Invert | ON / OFF | |
| | | Tilt Invert | ON / OFF | |
| | | P./T. Feedback | ON / OFF | |
| | | P./T. Feedback | Speed 1, Speed 2 | |
| | | Hibernation | OFF, 01M~99M, 15M | When DMX signal is not present for the set time, the unit shall go into standby mode after the set time. When set to OFF, unit shall never go into hibernation mode. The unit should have 01M to 99M options... so 01M, 02M, 03M... 99M (M=Minutes). 15M should be default. |
| | Reset Motors | Reset All Motors | YES / NO | |
| | | Pan/Tilt Reset | YES / NO | |
| | | Color Reset | YES / NO | |
| | | Gobo Reset | YES / NO | |
| | | Frost Reset | YES / NO | |
| | | Prism Reset | YES / NO | |
| | Display | Intensity | 1-10 | |
| | | Display Invert | YES / NO | |
| | | Screen Saver Delay | OFF - 10 minutes | |
| | Service | Effect Adjust (Calibration) | Pan 128-127 | Effects adjustments (Passcode = 050). Do not adjust effect settings when performing a factory reset at the same time. |
| | | | Tilt 128-127 | |
| Color 000-255 | | | | |
| ... | | | | |
| Shutter 000-255 | | | | |
| USB Port Power | ON / OFF | | | |
| Update Software | YES / NO | | | |
| Factory Restore | YES / NO | Reset to factory default | | |

| MAIN MENU | OPTIONS / VALUES (Default Settings in BOLD) | | DESCRIPTION | | |
|---------------------|--|--------------------|--|--|--|
| Manual | Pan, Tilt, Color, Gobo, Prism1, Prism2, RPrism, Shutter, Dimmer, Focus, Frost | 000-255 | Set Manual Control values remain set when no DMX signal is present, including through a power cycle. | | |
| Information | Fixture Life Time | Power On Time | xxxxxx Hours | Total hrs. fixture powered ON. Cannot be reset. | |
| | | P- On Time- R | xxxxxx Hours | Hours fixture powered ON. Can be reset | |
| | | P- On Time Reset | Passcode | Reset Power On Time (Passcode = 050) | |
| | Total Lamp Time | Lamp On Time | xxxxxx Hours | Resets to 0 when lamp replaced and reset (Passcode = 050) | |
| | | Lamp ON Time-R | xxxxxx Hours | | |
| | | Lamp On Time Reset | Passcode | | |
| | Fixture Temps | Head | Current | xxx F°/xxx C° | Current fixture temperature in |
| | | | Max Resettable | xxx F°/xxx C° | Maximum temperature reached since last reset. Can be reset |
| | | | Max Not Resettable | xxx F°/xxx C° | Maximum temperature fixture reached. Cannot be reset |
| | | Reset Head Temp | Passcode | Shall allow for Head Temperature data to be reset. Should be Passcode protected. Passcode should be 050. | |
| | Fan Info.(RPM) | B_Fan 1: | xxxx | Displays fan RPM | |
| | | B_Fan 2: | xxxx | | |
| | | H_Fan 1: | xxxx | | |
| | | H_Fan 2: | xxxx | | |
| H_Fan 3: | | xxxx | | | |
| DMX Values | Pan, Pan Fine, Tilt, Tilt Fine, Color, Gobo, Prism1, Prism2, RPrism, Shutter, Dimmer, Focus, Focus Fine, Frost, P/T Speed, Spe. Func | 000-255 | Displays current DMX Channel value of respective fixture trait. | | |
| Error Logs | Fixture Errors | | Displays Fixture Errors | | |
| | Reset Error Log | | Reset Error Log (Passcode = 050). | | |
| Software Version | V1.2 | | Displays current software version | | |
| Lamp Control | Lamp On/Off | ON / OFF | Manual ON/OFF lamp control | | |
| | Lamp On with Power | ON / OFF | Controls lamp ON/OFF during power up | | |
| | Lamp On via DMX | ON / OFF | Allows lamp ON via DMX | | |
| | Lamp Off via DMX | ON / OFF | Allows lamp OFF via DMX | | |

DMX Settings

Select **DMX Settings**, and press **ENTER** button to confirm. Use **UP/DOWN** buttons to select **DMX Address**, **DMX CH Mode**, or **No DMX Status**.

DMX Address — DMX512 address setting

Select **DMX Address**, and press **ENTER** button to confirm. Use **UP/DOWN** buttons to adjust address from **001** to **512**, and press **ENTER** button to store.

DMX CH Mode — channel mode

Select **DMX CH Mode**, and press **ENTER** button to confirm. Use **UP/DOWN** buttons to select **13ch** or **17ch**, and press **ENTER** button to store.

No DMX Status — fixture state while DMX single stops

Select **No DMX Status**, and press **ENTER** button to confirm. Use **UP/DOWN** buttons to select **Hold Last** (If DMX signal stops, fixture continues to obey the last command it received Via DMX), **Blackout** (fixture blacks-out if DMX signal stops) or **Manual** (If DMX signal stops, fixture returns all channels to the last setting entered manually), and press **ENTER** button to store.

In the **Blackout / Hold Last** state, and with no DMX signal, the unit will remain in the final state for 15M before reverting to static mode. At this time, the lamp and motors will turn-off. When the DMX signal is reconnected, the unit will automatically activate and reset.

Personality

Select Personality, and press **ENTER** button to confirm, use **UP/DOWN** buttons to select **Status Settings**, **Reset Motors**, **Display**, or Service.

Status Settings

Select **Status Settings**, and press **ENTER** button to confirm. Use **UP/DOWN** buttons to select **Pan Invert**, **Tilt Invert**, **P./T. Feedback**, **Pan Degree**, **P./T. Speed** or **Hibernation**, and press **ENTER** button to store.

Pan Invert

Select **Pan Invert**, and press **ENTER** button to confirm. Use **UP/DOWN** buttons to select **OFF** (pan invert) or **ON** (normal), and press **ENTER** button to store.

Tilt Invert

Select **Tilt Invert**, and press **ENTER** button to confirm. Use **UP/DOWN** buttons to select **OFF** (tilt invert) or **ON** (normal), and press **ENTER** button to store.

P./T. Feedback

Select **P./T. Feedback**, and press **ENTER** button to confirm. Use **UP/DOWN** buttons to select **OFF** or **ON**, and press **ENTER** button to store.

Pan Degree

Select **Pan Degree**, and press **ENTER** button to confirm, **Pan Degree** will show on the display, and press **MENU** button to exit.

P./T. Speed

Select **P./T. Speed**, and press **ENTER** button to confirm. Use **UP/DOWN** buttons to select **Speed 1** or **Speed 2**, and press **ENTER** button to store.

Hibernation

Select **Hibernation**, and press **ENTER** button to confirm. Use **UP/DOWN** buttons to select **OFF** (unit never go into hibernation mode) or **01M~99M** (Hibernation mode), and press **ENTER** button to store.

Reset Motors

Select **Reset Motors**, and press **ENTER** button to confirm. Use **UP/DOWN** buttons to select **Reset All Motors**, **Pan/Tilt Reset**, **Color Reset**, **Gobo Reset**, **Prism/R-P Reset**, **Shutter Reset** or **Frost Reset**, and press **ENTER** button to store.

Reset All Motors

Select **Reset All Motors**, and press **ENTER** button to confirm. Use **UP/DOWN** buttons to select **No** or **Yes**, and press **ENTER** button to store.

Pan/Tilt Reset

Select **Pan/Tilt Reset**, and press **ENTER** button to confirm. Use **UP/DOWN** buttons to select **No** or **Yes**, and press **ENTER** button to store.

Color Reset

Select **Color Reset**, and press **ENTER** button to confirm. Use **UP/DOWN** buttons to select **No** or **Yes**, and press **ENTER** button to store.

Gobo Reset

Select **Gobo Reset**, and press **ENTER** button to confirm. Use **UP/DOWN** buttons to select **No** or **Yes**, and press **ENTER** button to store.

Prism/P-R Reset

Select **Prism/P-R Reset**, and press **ENTER** button to confirm. Use **UP/DOWN** buttons to select **No** or **Yes**, and press **ENTER** button to store.

Shutter Reset

Select **Shutter Reset**, and press **ENTER** button to confirm. Use **UP/DOWN** buttons to select **No** or **Yes**, and press **ENTER** button to store.

Focus Reset

Select **Focus Reset**, and press **ENTER** button to confirm. Use **UP/DOWN** buttons to select **No** or **Yes**, and press **ENTER** button to store.

Frost Reset

Select **Frost Reset**, and press **ENTER** button to confirm. Use **UP/DOWN** buttons to select **No** or **Yes**, and press **ENTER** button to store.

Display

Select **Display**, and press **ENTER** button to confirm. Use **UP/DOWN** buttons to select **Intensity**, **Display Invert**, **Screen Saver Delay** or **Display Lock ON/OFF**, and press **ENTER** button to store.

Intensity

Select **Intensity**, and press **ENTER** button to confirm. Current mode will blink on the display, Use **UP/DOWN** buttons to adjust backlight intensity from **001** (dark) to **010** (bright), and press **ENTER** button to store.

Display Invert

Select **Display Invert**, and press **ENTER** button to confirm. Use **UP/DOWN** buttons to select **OFF** or **ON**, and press **ENTER** button to store.

Screen Saver Delay

Select **Screen Saver Delay**, and press **ENTER** button to confirm. Current mode will blink on the display. Use **UP/DOWN** buttons to adjust backlight intensity from **OFF** or **01M** to **10M**, and press **ENTER** button to store.

Display Lock ON/OFF

Select **Display Lock ON/OFF**, and press **ENTER** button to confirm. Current mode will blink on the display. Use **UP/DOWN** buttons to select **OFF** or **ON**, and press **ENTER** button to store.

Service

Select **Service**, and press **ENTER** button to confirm. Current mode will show on the display, Use **UP/DOWN** button to select **050**, and press **ENTER** button to confirm. Use **UP/DOWN** buttons to select **Calibration**, **USB Port Power**, **Update Software**, or **Factory Restore**.

When selecting **Calibration**, use **UP/DOWN** buttons to select **Pan**, **Tilt**, **Shutter**, **Color**, **Gobo**, **Prism1**, **RPrism**, **Prism2**, **Frost**, or **Focus**, then Use **UP** and **DOWN** button to adjust value.

When selecting **USB Port Power**, use **UP/DOWN** buttons to select **OFF** or **ON**.

When selecting **Update Software**, Use **UP/DOWN** buttons to select **NO** or **YES**.

When selecting **Factory Restore**, use **UP/DOWN** buttons to select **NO** or **YES**.

Manual Control

Select **Manual Control**, and press **ENTER** button to confirm. Current channel will show on the display. Use **UP/DOWN** button to select **Pan, Tilt, Color, Gobo, Prism1, Prism2, RPrism, Shutter, Dimmer, Dimmer Fine, Focus** or **Frost**, press **ENTER** button to confirm, then Use **UP/DOWN** button to adjust value **000** to **255**, press **ENTER** button to store, and the fixture will run as the channel value indicates. Press **MENU** button back to the last menu or exit menu mode idling one minute.

(All channels value will become 0 after exiting Manual Test menu)

Information

Select **Information**, and press **ENTER** button to confirm. Use **UP/DOWN** buttons to select **Fixture Life Time, Total Lamp Time, Fixture Temps, Fan Info.(RPM), DMX Values, Error Logs** or **Software Version**.

Fixture Life Time

Select **Fixture Life Time**, and press **ENTER** button to confirm. Use **UP/DOWN** buttons to select **Power On Time, P-On Time-R** or **P-On Time Reset**, and press **ENTER** button to store.

Total Lamp Time

Select **Total Lamp Time**, and press **ENTER** button to confirm. Use **UP/DOWN** buttons to select **Lamp On Time, Lamp On Time-R** or **Lamp On Time Reset**, and press **ENTER** button to store.

Fixture Temps

Select **Fixture Temps**, and press **ENTER** button to confirm. Use **UP/DOWN** buttons to select **Head** or **Reset Head Temp**, and press **ENTER** button to store.

Fan Info.(RPM)

Select **Fan Info.(RPM)**, and press **ENTER** button to confirm. Use **UP/DOWN** buttons to select **B_Fan1, B_Fan2, H_Fan1, H_Fan2** or **H_Fan3**, and press **ENTER** button to store.

DMX Values

Select **DMX Values**, and press **ENTER** button to confirm. Use **UP/DOWN** buttons to select **Pan, Pan Fine, Tilt, Tilt Fine, Color, Gobo, Prism1, Prism2, RPrism, Shutter, Dimmer, Dimmer Fine, Focus, Focus Fine, Frost, P/T Speed** or **Spe. Func**, and press **ENTER** button to store.

Error Logs

Select **Error Logs**, and press **ENTER** button to confirm. Use **UP/DOWN** buttons to select **Fixture Errors** or **Reset Error Log**, and press **ENTER** button to store.

Software Version

Select **Software Version**, and press **ENTER** button to confirm. Software Version will show on the display. Press **MENU** button to exit.

Lamp Control

Select **Lamp Control**, and press **ENTER** button to confirm. Use **UP/DOWN** buttons to select **Lamp ON/OFF, Lamp On with Power, Lamp On via DMX** or **Lamp Off via DMX**, and press **ENTER** button to store.

DMX TRAITS: CHANNEL FUNCTIONS & VALUES

| ADJ VIZI BEAM 12RX™ | | | |
|--|---|---------|------------------|
| DMX Channel Values / Functions | | | |
| Supports Software Versions: ≥ 1.2 | | | |
| Features subject to change without notice. | | | |
| MODE/CHANNEL | | VALUE | FUNCTION |
| 13CH | 17CH | | |
| 1 | 1 | | Pan |
| | | 000-255 | Pan |
| | 2 | | Pan Fine |
| | | 000-255 | Pan Fine |
| 2 | 3 | | Tilt |
| | | 000-255 | Tilt |
| | 4 | | Tilt Fine |
| | | 000-255 | Tilt Fine |
| 3 | 5 | | Color |
| | | 000-003 | White |
| | | 004-007 | Color1 |
| | | 008-011 | Color2 |
| | | 012-015 | Color3 |
| | | 016-019 | Color4 |
| | | 020-023 | Color5 |
| | | 024-027 | Color6 |
| | | 028-031 | Color7 |
| | | 032-035 | Color8 |
| | | 036-039 | Color9 |
| | | 040-043 | Color10 |
| | | 044-047 | Color11 |
| | | 048-051 | Color12 |
| | | 052-055 | Color13 |
| | | 056-059 | Color14 |
| | | 060-127 | White to Color14 |
| 128-189 | Clockwise Rotation Fast to Slow | | |
| 190-193 | Stop | | |
| 194-255 | Counter-Clockwise Rotation Slow to Fast | | |

| MODE/CHANNEL | | VALUE | FUNCTION |
|--------------|---|---------|-----------------------------|
| 13CH | 17CH | | |
| 4 | 6 | | Static GOBO |
| | | 000-007 | White |
| | | 008-010 | Gobo1 |
| | | 011-013 | Gobo2 |
| | | 014-016 | Gobo3 |
| | | 017-019 | Gobo4 |
| | | 020-022 | Gobo5 |
| | | 023-025 | Gobo6 |
| | | 026-028 | Gobo7 |
| | | 029-031 | Gobo8 |
| | | 032-034 | Gobo9 |
| | | 035-037 | Gobo10 |
| | | 038-040 | Gobo11 |
| | | 041-043 | Gobo12 |
| | | 044-046 | Gobo13 |
| | | 047-049 | Gobo14 |
| | | 050-052 | Gobo15 |
| | | 053-055 | Gobo16 |
| | | 056-059 | White Shaking Slow to Fast |
| | | 060-063 | Gobo1 Shaking Slow to Fast |
| | | 064-067 | Gobo2 Shaking Slow to Fast |
| | | 068-071 | Gobo3 Shaking Slow to Fast |
| | | 072-075 | Gobo4 Shaking Slow to Fast |
| | | 076-079 | Gobo5 Shaking Slow to Fast |
| | | 080-083 | Gobo6 Shaking Slow to Fast |
| | | 084-087 | Gobo7 Shaking Slow to Fast |
| | | 088-091 | Gobo8 Shaking Slow to Fast |
| | | 092-095 | Gobo9 Shaking Slow to Fast |
| | | 096-099 | Gobo10 Shaking Slow to Fast |
| | | 100-103 | Gobo11 Shaking Slow to Fast |
| | | 104-107 | Gobo12 Shaking Slow to Fast |
| 108-111 | Gobo13 Shaking Slow to Fast | | |
| 112-115 | Gobo14 Shaking Slow to Fast | | |
| 116-119 | Gobo15 Shaking Slow to Fast | | |
| 120-127 | Gobo16 Shaking Slow to Fast | | |
| 128-189 | Clockwise Rotation Fast to Slow | | |
| 190-193 | Stop | | |
| 194-255 | Counter-Clockwise Rotation Slow to Fast | | |

| MODE/CHANNEL | | VALUE | FUNCTION |
|--------------|-------------|---------|---|
| 13CH | 17CH | | |
| 5 | 7 | | Prism1 |
| | | 000-007 | Close |
| | | 008-255 | Open |
| 6 | 8 | | Prism2 |
| | | 000-007 | Close |
| | | 008-255 | Open |
| 7 | 9 | | Prism Rotation |
| | | 000-127 | 0% ~ 100% |
| | | 128-189 | Clockwise Rotation Fast to Slow |
| | | 190-193 | Stop |
| | | 194-255 | Counter-Clockwise Rotation Slow to Fast |
| 8 | 10 | | Strobe |
| | | 000-031 | Close |
| | | 032-063 | Open |
| | | 064-095 | Strobe from Slow to Fast |
| | | 096-127 | Open |
| | | 128-159 | Pulse Effect in sequence |
| | | 160-191 | Open |
| | | 192-223 | Random Strobe Slow to Fast |
| | | 224-255 | Open |
| 9 | 11 | | Dimmer |
| | | 000-255 | 0% ~ 100% |
| | 12 | | Dimmer Fine |
| | | 000-255 | 0% ~ 100% |
| 10 | 13 | | Focus |
| | | 000-255 | 0% ~ 100% |
| | 14 | | Focus Fine |
| | | 000-255 | 0% ~ 100% |
| 11 | 15 | | Frost |
| | | 000-255 | 0% ~ 100% |
| 12 | 16 | | Pan/Tilt Speed |
| | | 000-255 | Fast to Slow |
| 13 | 17 | | Special Function |
| | | 000-069 | Null |
| | | 070-079 | Enable blackout while Pan/Tilt moving |
| | | 080-089 | Disable blackout while Pan/Tilt moving |
| | | 090-099 | Enable blackout while color changing |
| | | 100-109 | Disable blackout while color changing |
| | | 110-119 | Enable blackout while gobo changing |
| | | 120-129 | Disable blackout while gobo changing |
| | | 130-139 | Lamp On |
| | | 140-149 | Reset XY |
| | | 150-159 | Reset Effect |
| | | 160-199 | No Function |
| | | 200-209 | Reset All |
| | | 210-229 | No Function |
| | | 230-239 | Lamp Off |
| 240-255 | No Function | | |

ERROR CODES

| Error Codes subject to change without notice | |
|--|-------------------------------|
| ERROR CODE | DESCRIPTION |
| Pan Reset Error | Pan: Reset Error |
| Pan Encode Error | Pan: Encode Error |
| Tilt Reset Error Tilt | Tilt: Reset Error |
| Tilt Encode Error | Tilt: Encode Error |
| CPU-B Error | CPU-B Error |
| CPU-C Error | CPU-C Error |
| CPU-D Error | CPU-D Error |
| Color Reset Fail | Color: Reset Fail |
| Gobo Reset Fail | Gobo: Reset Fail |
| Prism1 Reset Fail | Prism1: Reset Fail |
| Prism2 Reset Fail | Prism2: Reset Fail |
| Shutter Reset Fail | Shutter: Reset Fail |
| Focus Reset Fail | Focus: Reset Fail |
| Lamp Hot Power Off | Lamp Hot: Power Off |
| Lamp Maintenance | Prompt to change the lamp |
| Lamp Temp. Error | Ambient temperature test fail |
| Ballast Comm Err | |
| H_Fan1 start error | Head Fan1 can't start |
| H_Fan1 stop error | Head Fan1 can't stop |
| H_Fan1 Too Slow | Head Fan1 Speed Too Slow |
| H_Fan1 Too Fast | Head Fan1 Speed Too Fast |
| H_Fan2 start error | 2Head Fan2 can't start |
| H_Fan2 stop error | Head Fan2 can't stop |
| H_Fan2 Too Slow | Head Fan2 Speed Too Slow |
| H_Fan2 Too Fast | Head Fan2 Speed Too Fast |
| H_Fan3 start error | Head Fan3 can't start |
| H_Fan3 Too Slow | Head Fan3 Speed Too Slow |
| H_Fan3 Too Fast | Head Fan3 Speed Too Fast |
| B_Fan1 start error | Base Fan1 can't start |
| B_Fan1 stop error | Base Fan1 can't stop |
| B_Fan1 Too Slow | Base Fan1 Speed Too Slow |
| B_Fan1 Too Fast | Base Fan1 Speed Too Fast |
| B_Fan2 start error | Base Fan2 can't start |
| B_Fan2 stop error | Base Fan2 can't stop |
| B_Fan2 Too Slow | Base Fan2 Speed Too Slow |

SPECIFICATIONS

Light Source:

260W Philips® Platinum 12R LL MSD Discharge Lamp (6,000 hr.)
Color temperature: 7800K

Features:

Motorized Focus + 16-bit fine focus
2-degree beam angle
Frost Filter to create wash effect
High quality glass lens
2 Rotating prisms: 6-facet Linear and 24-facet Circular
0-100% smooth dimming
Various strobe speeds
USB firmware update port
Fan cooled

Color Wheel:

14 dichroic colors + white (Includes CTO, CTB & UV)
Indexable color wheel for split color

GOBO Wheel:

16 static GOBOs + open (4 GOBOs are beam reducers)
GOBO Shake Effect

Prism Wheel:

Rotating, 6-facet linear and 24-facet circular

Control:

2 DMX Channel Modes: 14/16 Channels
Color LCD display with 4-button function menu
Control Mode: DMX512, RDM or internal programs
0-100% smooth dimming
Various strobe speeds
USB firmware update port
With Wired Digital Communication Network

Pan/Tilt:

Pan: 540 degrees (plus 16-bit fine pan)
Tilt: 270 degrees (plus 16-bit fine tilt)

Connections:

DMX Connections: 3-pin & 5-pin DMX In/Out (Data link max: 32 fixtures)
Power Connections: IP65 rated power locking In/Out connections to daisy chain power

Electrical:

Multi-voltage operation: 100-240V, 50/60Hz
Max power consumption: 384W (@120V), 371W (@230V)

Dimensions & Weight:

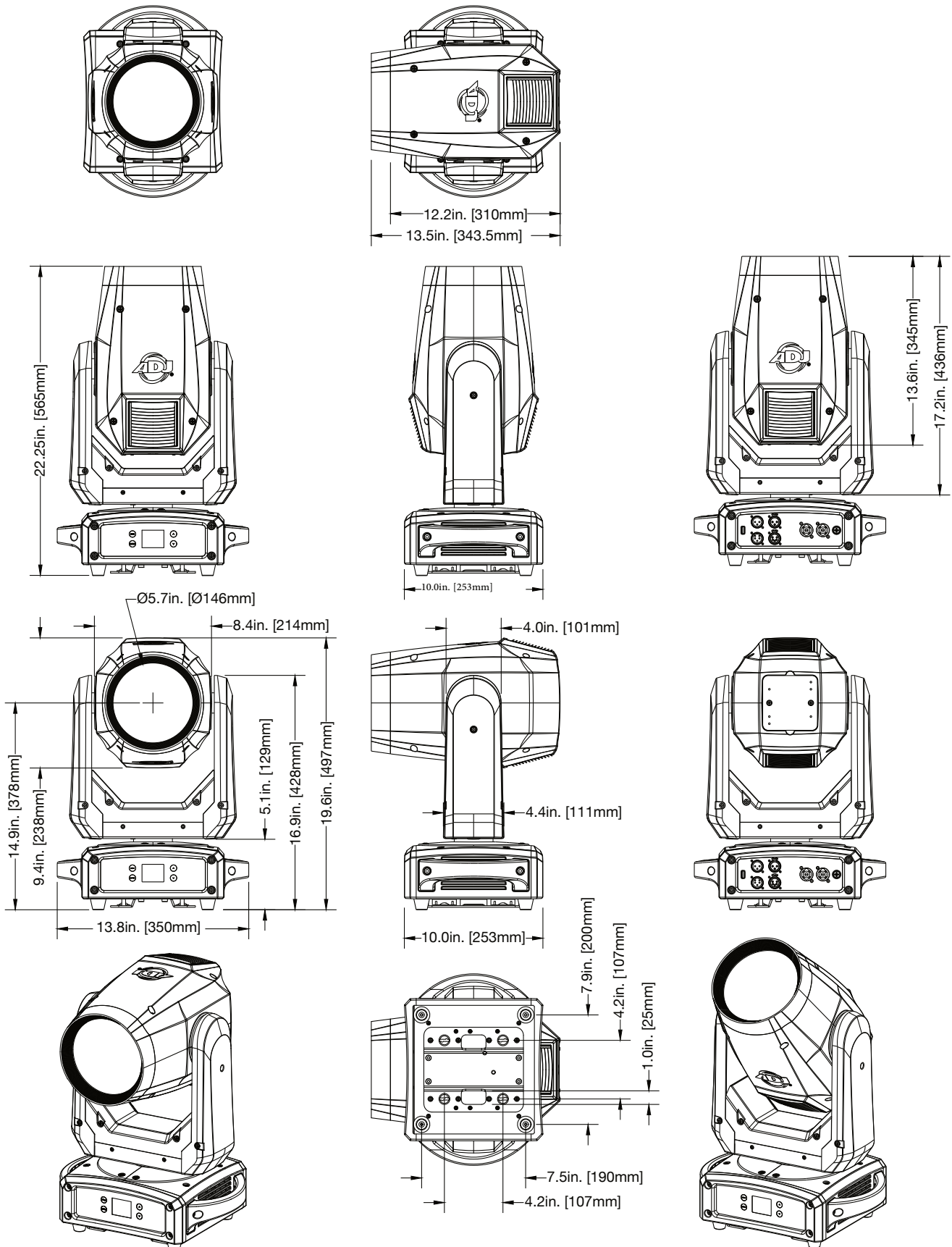
Dimension: 13.8" (L) x 13.5" (W) x 22.25" (H) / 350 x 343.5 x 565mm
Weight: 39.7lbs. / 18 kg.

What's Included:

Omega Brackets
1.83M locking power cable

DIMENSIONS

*DRAWINGS NOT TO SCALE. DIMENSIONS FOR INFORMATION ONLY AND SUBJECT TO CHANGE WITHOUT NOTICE.



FCC STATEMENT

This device complies with Part 15 of the FCC Rules. Operation is subject to the following two conditions: (1) this device may not cause harmful interference, and (2) this device must accept any interference received, including interference that may cause undesired operation.

FCC RADIO FREQUENCY INTERFERENCE WARNINGS & INSTRUCTIONS

This product has been tested and found to comply with the limits as per Part 15 of the FCC Rules. These limits are designed to provide reasonable protection against harmful interference in a residential installation. This device uses and can radiate radio frequency energy and, if not installed and used in accordance with the included instructions, may cause harmful interference to radio communications. However, there is no guarantee that interference will not occur in a particular installation. If this device does cause harmful interference to radio or television reception, which can be determined by turning the device off and on, the user is encouraged to try to correct the interference by one or more of the following methods:

- Reorient or relocate the device.
- Increase the separation between the device and the receiver.
- Connect the device to an electrical outlet on a circuit different from which the radio receiver is connected.
- Consult the dealer or an experienced radio/TV technician for help.

Energy Saving Matters (EuP 2009/125/EC)

Saving electric energy is a key to help protecting the environment. Please turn off all electrical products when they are not in use. To avoid power consumption in idle mode, disconnect all electrical equipment from power when not in use. Thank you!

