

VIZI BEAM CMY

User Manual

©2024 ADJ Products, LLC all rights reserved. Information, specifications, diagrams, images, and instructions herein are subject to change without notice. ADJ Products, LLC logo and identifying product names and numbers herein are trademarks of ADJ Products, LLC. Copyright protection claimed includes all forms and matters of copyrightable materials and information now allowed by statutory or judicial law or hereinafter granted. Product names used in this document may be trademarks or registered trademarks of their respective companies and are hereby acknowledged. All non-ADJ Products, LLC brands and product names are trademarks or registered trademarks of their respective companies.

ADJ Products, LLC and all affiliated companies hereby disclaim any and all liabilities for property, equipment, building, and electrical damages, injuries to any persons, and direct or indirect economic loss associated with the use or reliance of any information contained within this document, and/or as a result of the improper, unsafe, insufficient and negligent assembly, installation, rigging, and operation of this product.

ADJ PRODUCTS LLC World Headquarters

6122 S. Eastern Ave. | Los Angeles, CA 90040 USA

Tel: 800-322-6337 | Fax: 323-582-2941 | www.adj.com | lsupport@adj.com

ADJ Supply Europe B.V.

ADJ SERVICE EUROPE - Monday - Friday 08:30 to 17:00 CET

Junostraat 2 | 6468 EW Kerkrade | Netherlands

+31 45 546 85 60 | Fax: +31 45 546 85 96 | info@adj.eu | support@adj.eu

Europe Energy Saving Notice

Energy Saving Matters (EuP 2009/125/EC)

Saving electric energy is a key to help protecting the environment. Please turn off all electrical products when they are not in use. To avoid power consumption in idle mode, disconnect all electrical equipment from power when not in use. Thank you!

DOCUMENT VERSION



Due to additional product features and/or enhancements, an updated version of this document may be available online.

Please check www.adj.com for the latest revision/update of this manual before beginning installation and/or programming.

Date	Document Version	Software Version >	DMX Channel Mode	Notes
01/11/24	1	1.01	20ch / 24ch	Initial Release

CONTENTS

General Information	4
Limited Warranty (USA Only)	5
Safety Guidelines	6
Discharge Lamp Warning	8
Overview	9
Color Flags and Color Wheels	10
Gobo Wheel	11
Pan-Tilt Lock	12
Lamp Replacement	13
Installation Guidelines	14
System Menu	18
DMX Setup	24
DMX Traits	28
Error Codes	30
Remote Device Management (RDM)	31
Maintenance Guidelines	32
Specifications	33
Dimensional Drawings	34
Optional Accessories	35

GENERAL INFORMATION

INTRODUCTION

Please read and understand the instructions in this manual carefully and thoroughly before attempting to operate this device. These instructions contain important safety and use information.

This product is intended for use by professionally trained personnel only, and is not suitable for private use.

Unpacking

Every device has been thoroughly tested and has been shipped in perfect operating condition. Carefully check the shipping carton for damage that may have occurred during shipping. If the carton is damaged, carefully inspect the device for damage, and be sure all accessories necessary to install and operate the device have arrived intact. In the event damage has been found or parts are missing, please contact our customer support team for further instructions. Please do not return this device to your dealer without first contacting customer support. Please do not discard the shipping carton in the trash. Please recycle whenever possible.

BOX CONTENTS

Omega Brackets
1.83M locking power cable

CUSTOMER SUPPORT

Contact ADJ Service for any product related service and support needs. Also visit forums.adj.com with questions, comments or suggestions.

ADJ SERVICE USA - Monday - Friday 8:00am to 4:30pm PST
323-582-2650 | Fax: 323-832-2941 | support@adj.com

ADJ SERVICE EUROPE - Monday - Friday 08:30 to 17:00 CET
+31 45 546 85 60 | Fax: +31 45 546 85 96 | support@adj.eu | info@adj.eu

REPLACEMENT PARTS please visit parts.adj.com



IMPORTANT NOTICE!

THERE ARE NO USER SERVICEABLE PARTS INSIDE THIS UNIT. DO NOT ATTEMPT ANY REPAIRS YOURSELF; DOING SO WILL VOID YOUR MANUFACTURER'S WARRANTY. DAMAGES RESULTING FROM MODIFICATIONS TO THIS FIXTURE AND/OR THE DISREGARD OF SAFETY INSTRUCTIONS AND GUIDELINES IN THIS MANUAL VOID THE MANUFACTURER'S WARRANTY AND ARE NOT SUBJECT TO WARRANTY CLAIMS AND/OR REPAIRS.

LIMITED WARRANTY (USA ONLY)

- A. ADJ Products, LLC hereby warrants, to the original purchaser, ADJ Products, LLC products to be free of manufacturing defects in material and workmanship for a prescribed period from the date of purchase (see specific warranty period on reverse). This warranty shall be valid only if the product is purchased within the United States of America, including possessions and territories. It is the owner's responsibility to establish the date and place of purchase by acceptable evidence, at the time service is sought.
- B. For warranty service, you must obtain a Return Authorization number (RA#) before sending back the product-please contact ADJ Products, LLC Service Department at 800-322-6337. Send the product only to the ADJ Products, LLC factory. All shipping charges must be pre-paid. If the requested repairs or service (including parts replacement) are within the terms of this warranty, ADJ Products, LLC will pay return shipping charges only to a designated point within the United States. If the entire instrument is sent, it must be shipped in its original package. No accessories should be shipped with the product. If any accessories are shipped with the product, ADJ Products, LLC shall have no liability whatsoever for loss of or damage to any such accessories, or for the safe return thereof.
- C. This warranty is void if the serial number has been altered or removed; if the product is modified in any manner which ADJ Products, LLC concludes, after inspection, affects the reliability of the product, if the product has been repaired or service by anyone other than ADJ Products, LLC factory unless prior written authorization was issued to purchaser by ADJ Products, LLC; if the product is damaged because not properly maintained as set forth in the instruction manual.
- D. This is not a service contract, and this warranty does not include maintenance, cleaning or periodic check up. During the period specified above, ADJ Products, LLC will replace defective parts at its expense with new or refurbished parts, and will absorb all expenses for warranty service and repair labor by reason of defects in material or workmanship. The sole responsibility of ADJ Products, LLC under this warranty shall be limited to the repair of the product, or replacement thereof, including parts, at the sole discretion of ADJ Products, LLC. All products covered by this warranty were manufactured after August 15, 2012, and bear identifying marks to that effect.
- E. ADJ Products, LLC reserves the right to make changes in design and/or improvements upon its products without any obligation to include these changes in any products theretofore manufactured.
- F. No warranty, whether expressed or implied, is given or made with respect to any accessory supplied with products described above. Except to the extent prohibited by applicable law, all implied warranties made by ADJ Products, LLC in connection with this product, including warranties of merchantability or fitness, are limited in duration to the warranty period set forth above. And no warranties, whether expressed or implied, including warranties of merchantability or fitness, shall apply to this product after said period has expired. The consumer's and/or Dealer's sole remedy shall be such repair or replacement as is expressly provided above; and under no circumstances shall ADJ Products, LLC be liable for any loss or damage, direct or consequential, arising out of the use of, or inability to use, this product.
- G. This warranty is the only written warranty applicable to ADJ Products, LLC Products and supersedes all prior warranties and written descriptions of warranty terms and conditions heretofore published.

LIMITED WARRANTY PERIODS

- **Non L.E.D. Lighting Products = 1-year (365 days) Limited Warranty** (Such as: Special Effect Lighting, Intelligent Lighting, UV lighting, Strobes, Fog Machines, Bubble Machines, Mirror Balls, Par Cans, Trussing, Lighting Stands etc. excluding LED and lamps)
- **Laser Products = 1 Year (365 Days) Limited Warranty** (excludes laser diodes which have 6 month limited warranty)
- **L.E.D. Products = 2-year (730 days) Limited Warranty** (excluding batteries which have a 180 day limited warranty)
Note: 2 Year Warranty only applies to purchases within the United States.
- **StarTec Series = 1 Year Limited Warranty** (excluding batteries which have a 180 day limited warranty)
- **ADJ DMX Controllers = 2 Year (730 Days) Limited Warranty**

SAFETY GUIDELINES

This device is a sophisticated piece of electronic equipment. To guarantee a smooth operation, it is important to follow all instructions and guidelines in this manual. ADJ PRODUCTS, LLC. is not responsible for injury and/or damages resulting from the misuse of this device due to the disregard of the information printed in this manual. Only the original included parts and/or accessories for this device should be used. Any modifications to the device, included and/or accessories will void the original manufacturer's warranty and increase the risk of damage and/or personal injury.



PROTECTION CLASS 1 - FIXTURE MUST BE PROPERLY GROUNDED



THERE ARE NO USER SERVICEABLE PARTS INSIDE THIS UNIT. DO NOT ATTEMPT ANY REPAIRS YOURSELF; DOING SO WILL VOID YOUR MANUFACTURER'S WARRANTY. DAMAGES RESULTING FROM MODIFICATIONS TO THIS FIXTURE AND/OR THE DISREGARD OF SAFETY INSTRUCTIONS AND GUIDELINES IN THIS MANUAL VOID THE MANUFACTURER'S WARRANTY AND ARE NOT SUBJECT TO ANY WARRANTY CLAIMS AND/OR REPAIRS.



**DO NOT PLUG FIXTURE INTO A DIMMER PACK!
NEVER OPEN THIS FIXTURE WHILE IN USE!
UNPLUG POWER BEFORE SERVICING FIXTURE!
NEVER TOUCH FIXTURE DURING OPERATION, AS IT MAY BE HOT!
KEEP FLAMMABLE MATERIALS AWAY FROM FIXTURE!**



**NEVER LOOK DIRECTLY INTO THE LIGHT SOURCE!
RETINA INJURY RISK - MAY INDUCE BLINDNESS!
SENSITIVE PERSONS MAY SUFFER AN EPILEPTIC SHOCK!**



**INDOOR / DRY LOCATIONS USE ONLY!
DO NOT EXPOSE FIXTURE TO RAIN AND MOISTURE!**



**MINIMUM DISTANCE TO OBJECTS/SURFACES
MUST BE 39.4 FEET (12 METERS)
MAXIMUM TEMP OF EXTERNAL SURFACE 194°F (90°C)
MINIMUM DISTANCE OF INFLAMMABLE MATERIALS
FROM THE SURFACE 0.7 FEET (0.2 METER)**

WARNING



Minimum distance to lighted objects 12.0 meters.

Maximum temperature of the external surface is 90°C

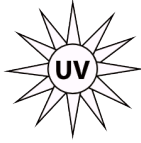
Minimum distance of inflammable materials from the surface 0.2m.



SAFETY GUIDELINES



HIGH INTENSITY ULTRAVIOLET LIGHT



AVOID DIRECT EYE & SKIN EXPOSURE.
WEAR PROPER EYE & SKIN PROTECTION.
SEE MANUAL FOR SAFETY INSTRUCTIONS.

RISK GROUP 3 - RISK OF EXPOSURE TO ULTRAVIOLET UV RADIATION! THE FIXTURE EMITS A HIGH-INTENSITY WAVELENGTH OF ULTRAVIOLET UV LIGHT FROM THE UV COLOR FILTER. WEAR PROPER EYE AND SKIN PROTECTION. AVOID PROLONGED PERIODS OF EXPOSURE TO THE UV COLOR FILTER. AVOID WEARING WHITE CLOTHING AND/OR USING UV PAINTS ON THE SKIN. AVOID DIRECT EYE AND/OR SKIN EXPOSURE AT DISTANCES LESS THAN 11 FEET (3.3M). DO NOT OPERATE THE FIXTURE WITH DAMAGED/MISSING EXTERNAL COVERS. DO NOT LOOK DIRECTLY INTO THE UV LIGHT AND/OR VIEW UV LIGHT DIRECTLY WITH OPTICAL INSTRUMENTS THAT MAY CONCENTRATE THE LIGHT/RADIATION OUTPUT.

INDIVIDUALS SUFFERING FROM A RANGE OF EYE CONDITIONS, SUNLIGHT EXPOSURE DISORDERS, OR INDIVIDUALS USING PHOTSENSITIVE MEDICATION MAY EXPERIENCE DISCOMFORT IF EXPOSED TO THE ULTRAVIOLET UV LIGHT EMITTED FROM THE UV LED.

DO NOT TOUCH the fixture housing during operation. Turn OFF the power and allow approximately 15-minutes for the fixture to cool down before servicing.

DO NOT shake the fixture; avoid brute force when installing and/or operating the fixture.

DO NOT operate the fixture if the power cord is frayed, crimped, damaged, and/or if any of the power cord connectors are damaged and do not insert into the fixture securely with ease.

NEVER force a power cord connector into the fixture. If the power cord or any of its connectors are damaged, replace it immediately with a new one of a similar power rating.

DO NOT block any air ventilation slots. All fan and air inlets must remain clean and never blocked. Allow approximately 7.9" (20cm) between the fixture and other devices or a wall for proper cooling.

When installing the fixture in a suspended environment, always use mounting hardware that is no less than M10 x 25 mm, and always install the fixture with an appropriately rated safety cable.

Always disconnect the fixture from the main power source before performing any type of service and/or cleaning procedure.

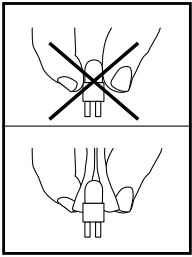
Only handle the power cord by the plug end; never pull out the plug by tugging the wire portion of the cord.

During the initial operation of this fixture, light smoke or a smell may emit from the interior of the fixture. This is a normal process and is caused by excess paint in the interior of the casing burning off from the heat associated with the lamp and will decrease gradually over time.

Consistent operational breaks will ensure the fixture functions properly for many years.

ONLY Use the original packaging and materials to transport the fixture for service.

DISCHARGE LAMP WARNING



This fixture is equipped with a DISCHARGE LAMP, which is highly susceptible to damage if mishandled. NEVER touch the lamp with your bare hands, as the oil from your hands will shorten the lamp's life. NEVER move the fixture until the lamp has had ample time to cool. DISCHARGE LAMPS are NOT covered under warranty conditions. Avoid switching the fixture ON and OFF repeatedly in short intervals, as this will reduce lamp life and intensity. To achieve the intensity associated with discharge lamps, these lamps use gas sealed in a high-pressure environment to emit a brilliant output.

Due to the high pressure involved in the construction of the lamp, it **MAY EXPLODE DURING PROLONGED EXTENSIVE USE**. This risk increases with age; added care is encouraged when dealing with older lamps. Thus, the lamp must always be replaced at the end of its recommended duty cycle. Extreme caution should be used when operating this or any fixture fitted with a gas discharge lamp.

UV RADIATION NOTICE



THIS FIXTURE EMITS INTENSE UV RADIATION, WHICH IS HARMFUL TO THE EYES AND SKIN. THE INTENSE LUMINESCENCE OF THE LAMP CAN CAUSE SEVERE DAMAGE TO THE RETINA. NEVER OPERATE THIS FIXTURE WITH ANY OF THE PROTECTIVE COVERS REMOVED. THESE COVERS HAVE BEEN SPECIALLY DESIGNED TO SHIELD AGAINST UV RADIATION.

LAMP REPLACEMENT



USE ONLY GENUINE ORIGINAL PHILIPS™ LAMPS. OTHER BRAND LAMPS WILL CAUSE DAMAGE AND VOID THE FIXTURE WARRANTY!

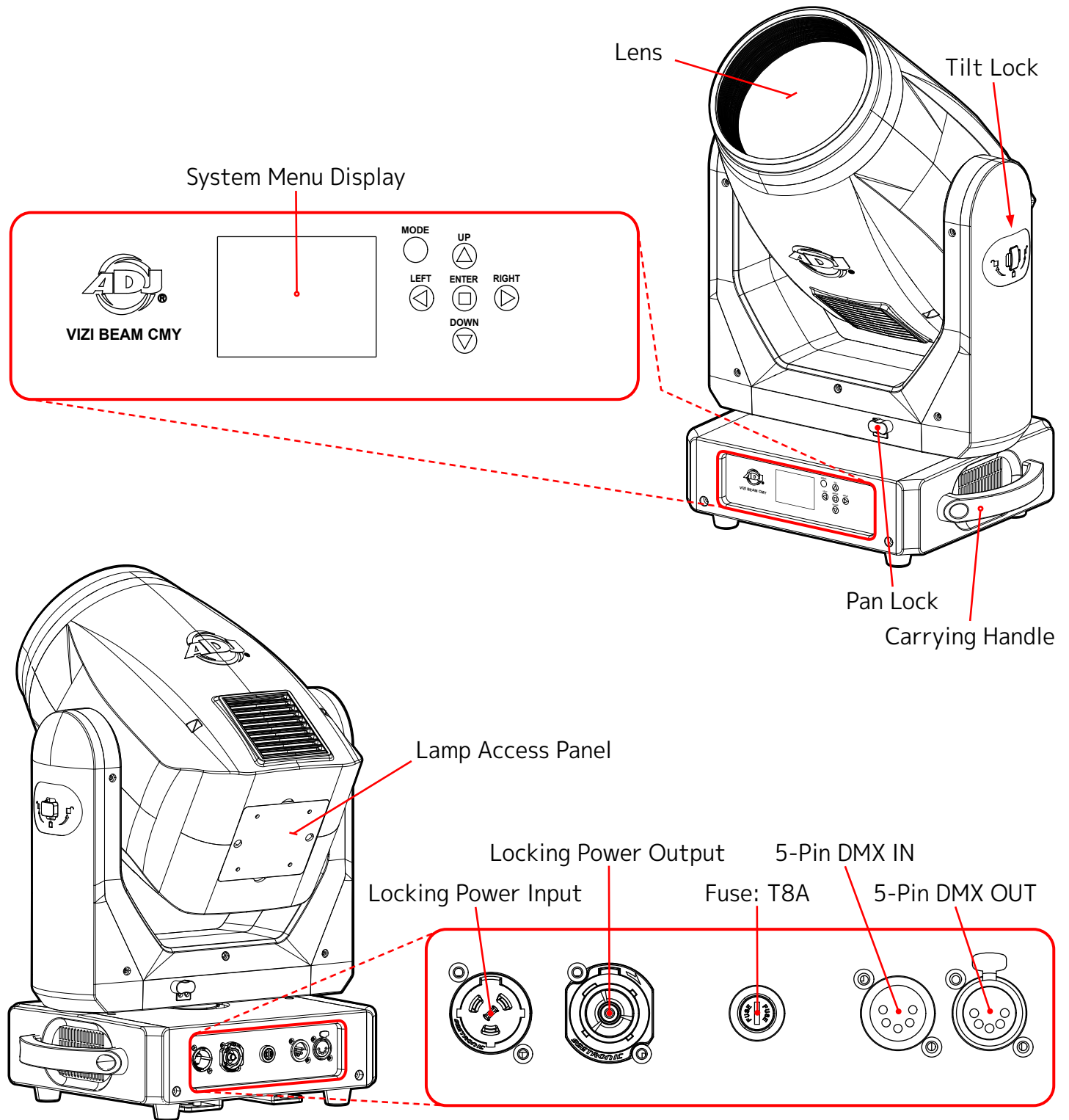


**DISCONNECT THE MAIN POWER SUPPLY BEFORE REPLACING THE LAMP!
THE FIXTURE MUST COOL FOR 15 MINUTES BEFORE REPLACING THE LAMP!
NEVER TOUCH THE LAMP WITH BARE HANDS; ALWAYS WEAR GLOVES!
OIL FROM HANDS WILL SHORTEN THE LIFE OF THE LAMP!**



MAKE SURE ALL COVERS/FIXTURES ARE REPLACED/SECURED BEFORE OPERATING THE FIXTURE TO PREVENT ANY RISK AND/OR DAMAGE TO THE EYE RETINA FROM UV RADIATION EXPOSURE!

OVERVIEW

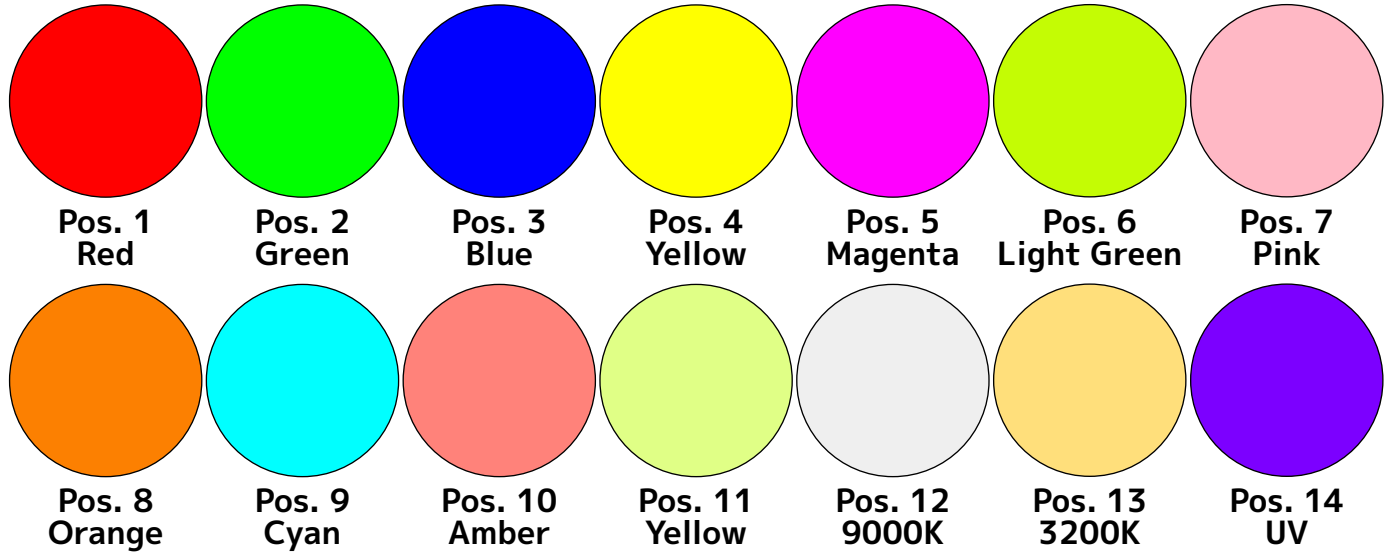


COLOR FLAGS AND COLOR WHEELS

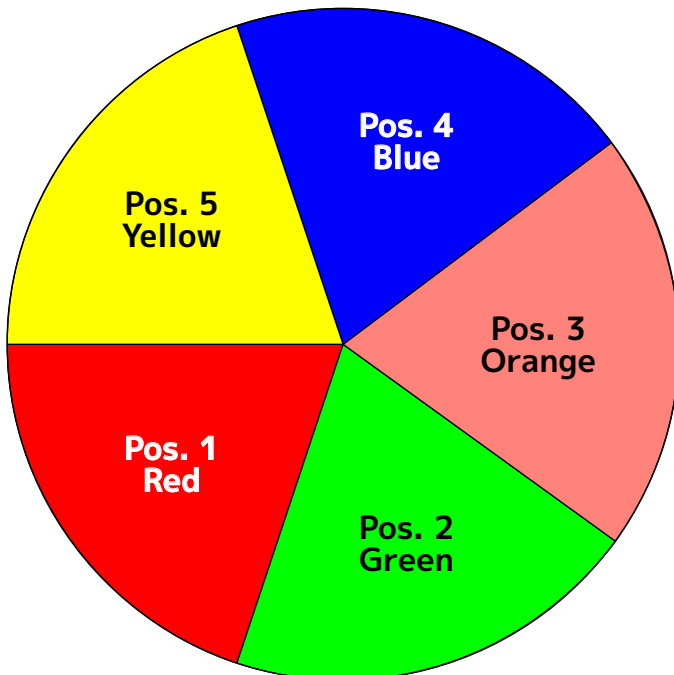
CMY COLOR FLAGS



COLOR WHEEL



COLOR WHEEL: MULTI COLOR EFFECTS



GOBO WHEEL



Pos. 1



Pos. 2



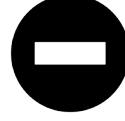
Pos. 3



Pos. 4



Pos. 5



Pos. 6



Pos. 7



Pos. 8



Pos. 9



Pos. 10



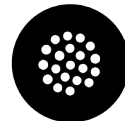
Pos. 11



Pos. 12



Pos. 13



Pos. 14



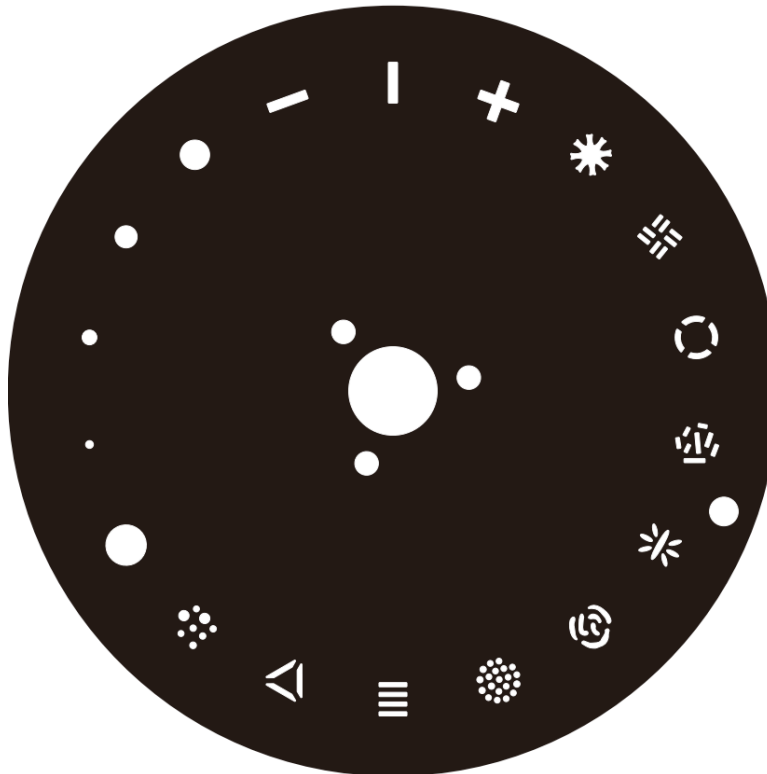
Pos. 15



Pos. 16

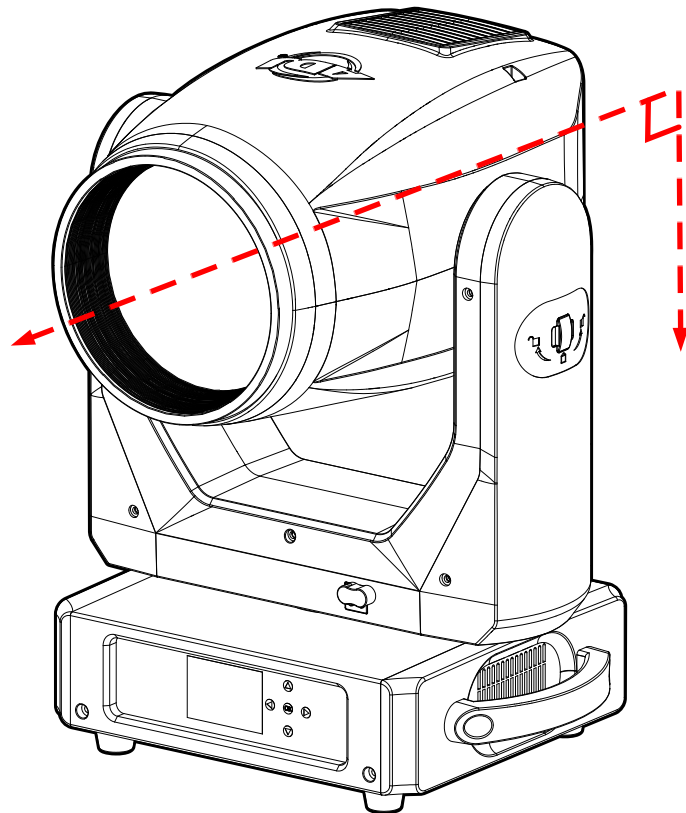
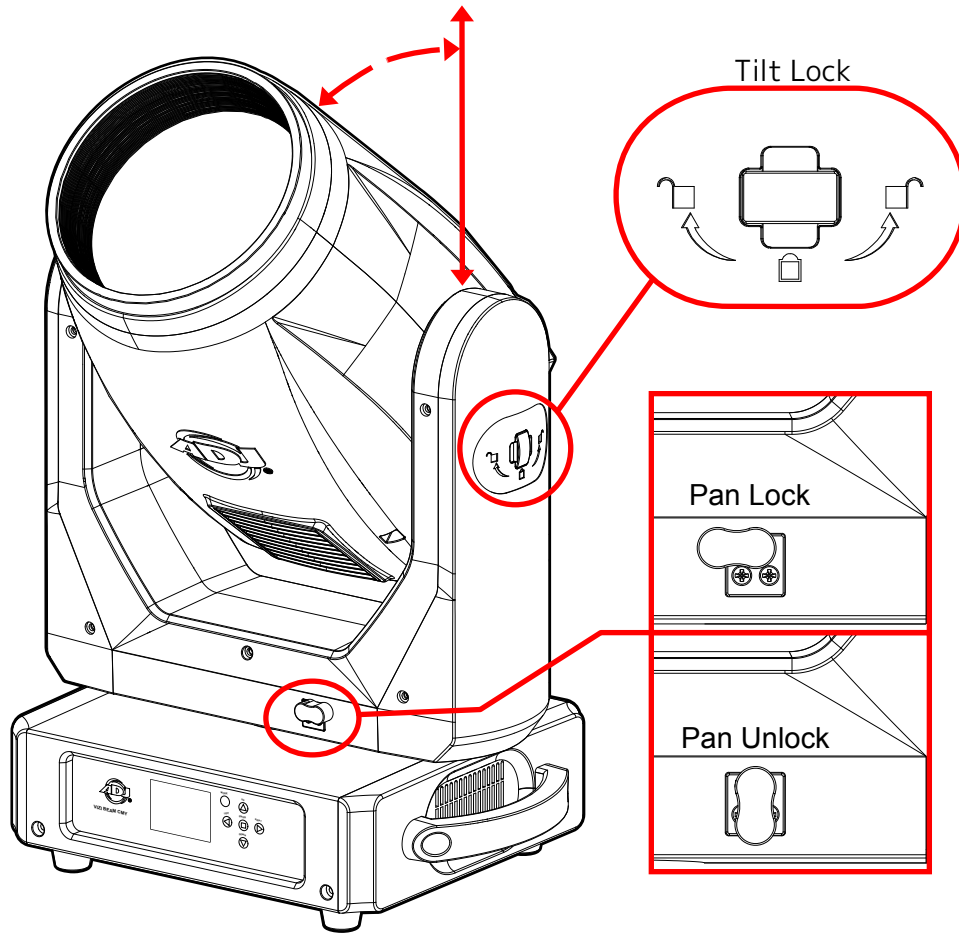


Pos. 17



PAN-TILT LOCKS

Before removing lamp, place fixture on a stable flat surface in an **INDOOR DUST FREE** location. Ensure moving head is locked into a right angle position with both **PAN** and **TILT** locks engaged.



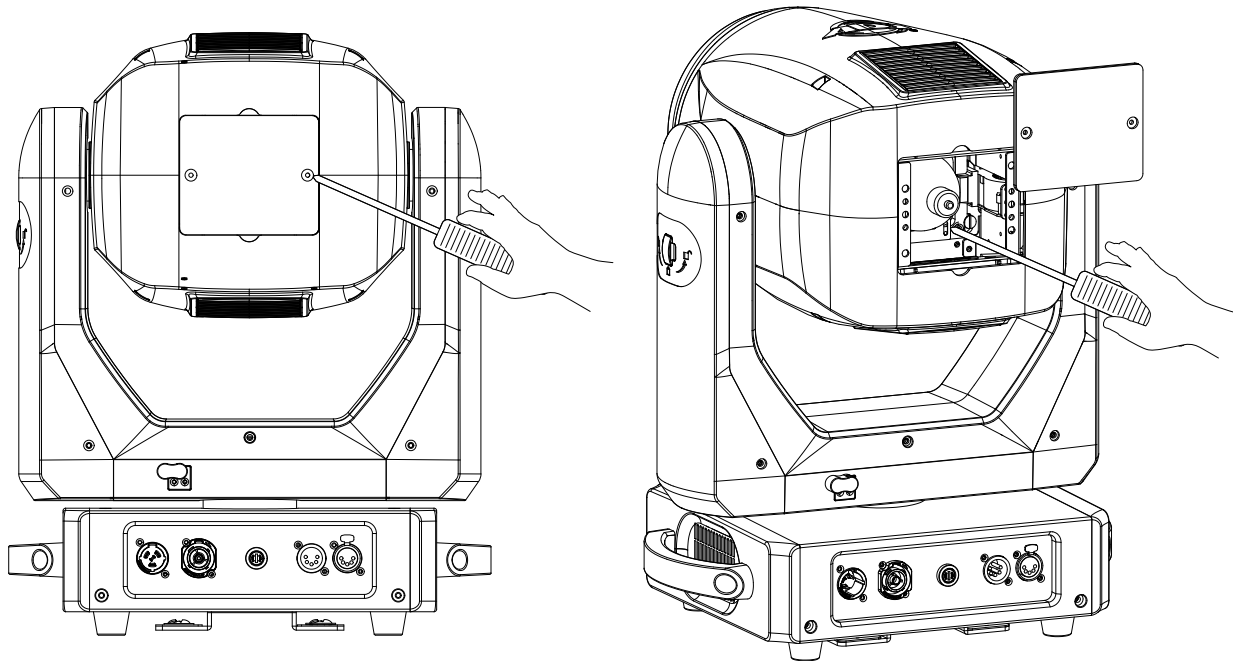
LAMP REPLACEMENT

Caution: Always replace with the exact same type of lamp and fuse, unless otherwise specified by an authorized ADJ service technician. Replacing with anything other than the specified part can damage your unit and will void your manufacturer's warranty.

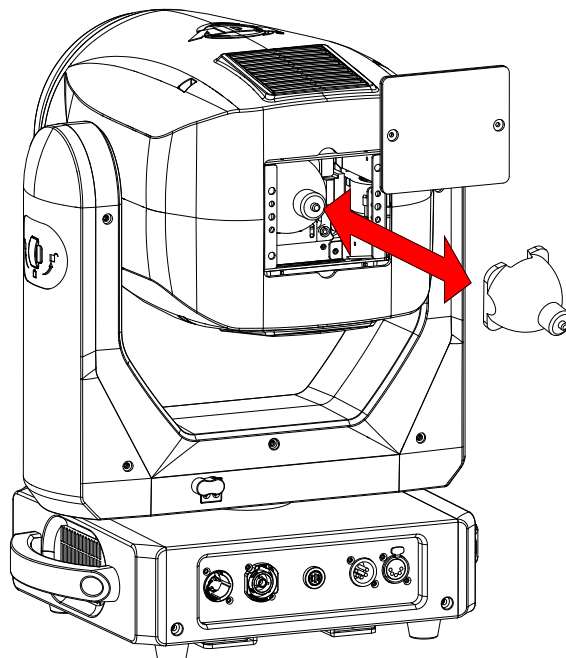
Warning: If you continue to blow lamps or fuses, STOP using the unit. Contact customer support for further instructions; you may have to return the unit for servicing. Continuing to use the unit may cause serious damage.

Lamp Replacement: Caution! Never attempt to change the lamp while the fixture is plugged in. Always disconnect the main power and allow the unit ample time to cool before attempting to replace the lamp. Please see page 8 for important information regarding the discharge lamp.

Remove the lamp panel screws located on the rear of the moving head and remove the panel. Loosen the lamp screws and carefully disconnect the lamp.



Lift lamp out of its recess and replace it with an OSRAM SIRIUS HRI® 310W PRO lamp. Reassemble in reverse order.



INSTALLATION GUIDELINES



FLAMMABLE MATERIAL WARNING

Keep the fixture a minimum of 0.7 feet (0.2m) away from flammable materials and/or pyrotechnics.



ELECTRICAL CONNECTIONS

A qualified electrician should handle all electrical connections and/or installations.



USE CAUTION WHEN POWER LINKING OTHER MODEL FIXTURES AS THE POWER CONSUMPTION OF OTHER MODEL FIXTURES MAY EXCEED THE MAXIMUM POWER POUTPUT OF THIS FIXTURE. CHECK THE SILKSCREEN FOR MAXIMUM AMPS.



MINIMUM DISTANCE TO OBJECTS/SURFACES MUST BE 39.4 FEET (12 METERS).



MINIMUM DISTANCE OF INFLAMMABLE MATERIALS FROM THE SURFACE 0.7 feet (0.2 meters).



MAXIMUM TEMPERATURE OF EXTERNAL SURFACE 185°F (85°C).

DO NOT INSTALL THE FIXTURE IF YOU ARE NOT QUALIFIED TO DO SO!

The fixture **MUST** be installed following all local, national, and country commercial electrical and construction codes and regulations.

Before rigging/mounting a single fixture or multiple fixtures on any metal truss/structure or placing the fixture(s) on any surface, consult with a professional equipment installer to determine if the metal truss/structure or surface is properly certified to safely hold the combined weight of the fixture(s), clamps, cables, and accessories.

The fixture's ambient operating temperature range is **0° to 104°F (0° to 40°C)**. Do not use the fixture under or above this temperature.

Fixture(s) should be installed in areas outside walking paths, seating areas, or away from areas where unauthorized personnel might reach the fixture by hand.

NEVER stand directly below the fixture(s) when rigging, removing, or servicing.

Overhead fixture installation must always be secured with a secondary safety attachment, such as an appropriately rated safety cable.

Allow approximately 15 minutes for the fixture to cool down before servicing.

RIGGING

Overhead rigging requires extensive experience, including, among other things, calculating working load limits, installation material being used, and periodic safety inspection of all installation material and the fixture. If you lack these qualifications, do not attempt the installation yourself. Improper installation can result in bodily injury.

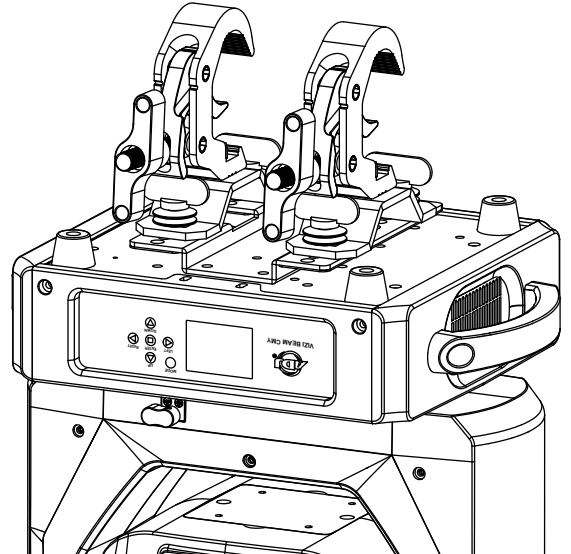
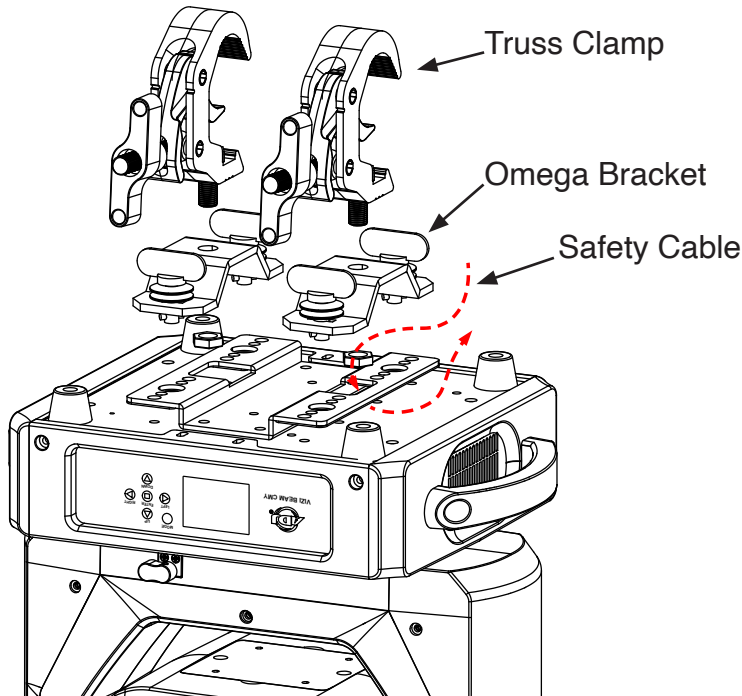


ALWAYS ATTACH AN APPROPRIATELY RATED SAFETY CABLE (NOT INCLUDED) THAT MEETS ALL LOCAL, NATIONAL, AND COUNTRY CODES AND REGULATIONS WHENEVER INSTALLING THE FIXTURE IN A SUSPENDED ENVIRONMENT!

INSTALLATION GUIDELINES

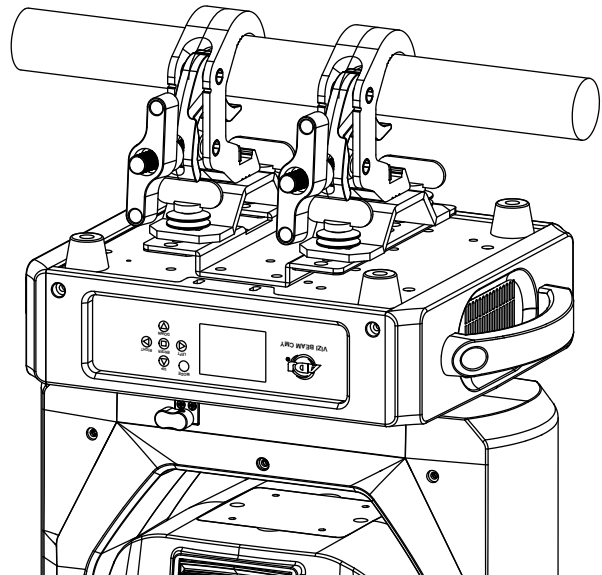
OMEGA BRACKETS INSTALLATION

Insert the Omega Brackets into the matching holes on the bottom of the fixture. Secure the Omega Brackets to the fixture by turning each quick-lock fastener ¼ turn clockwise; making sure the fastener is completely locked. Omega Brackets can be installed into the fixture base as illustrated below.



SAFETY CABLE

ALWAYS ATTACH A SAFETY WHENEVER INSTALLING THIS FIXTURE IN A SUSPENDED ENVIRONMENT TO ENSURE THE FIXTURE WILL NOT FALL IF THE CLAMP FAILS. CLAMP INSTALLATION



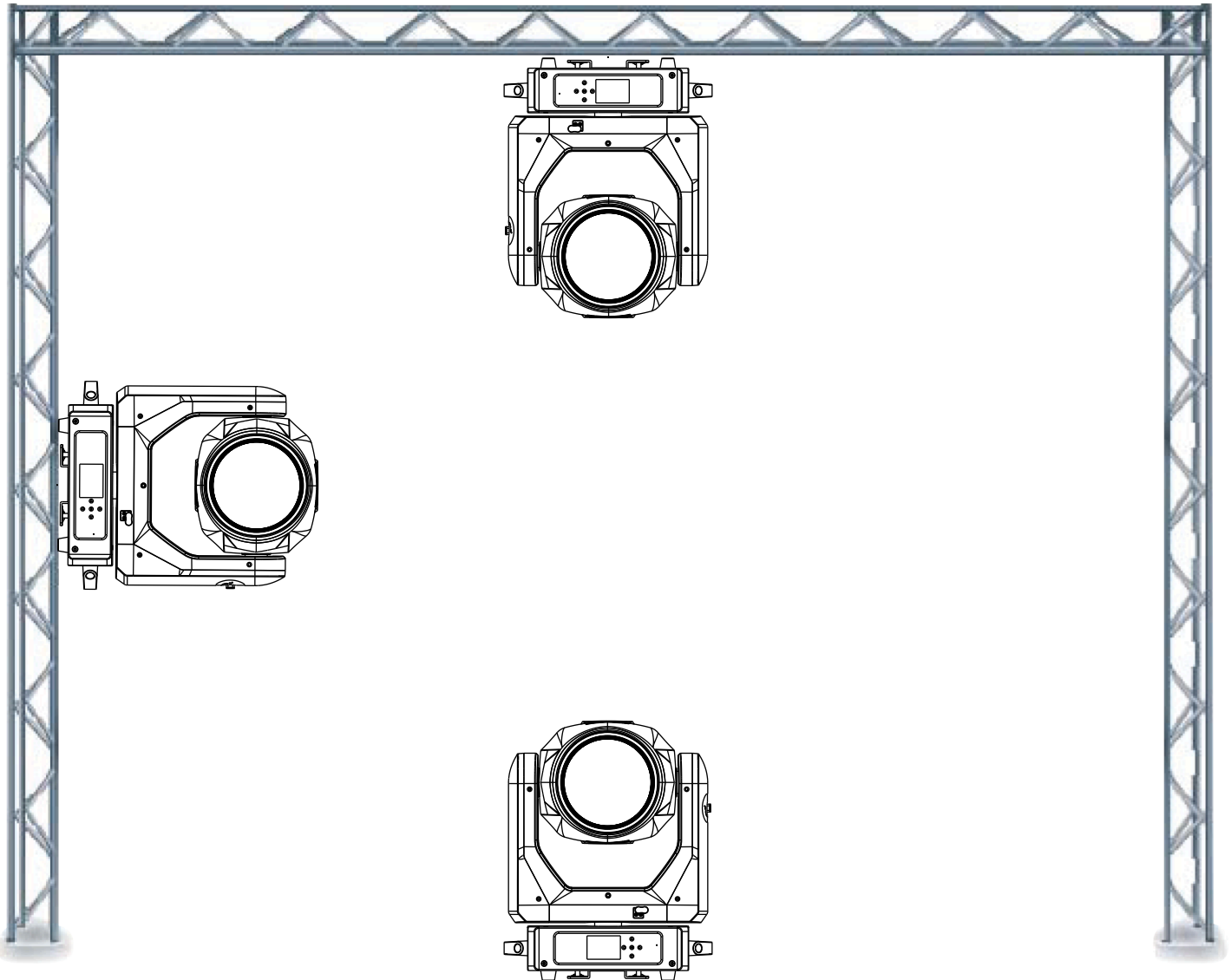
When mounting fixture to truss, be sure to secure an appropriately rated professional grade rigging clamp to the included **Omega Brackets** using an M10 screw fitted through the center hole of the **Omega Brackets**. The fixture provides built-in rigging points for a **SAFETY CABLE** (not included). Be sure to only use one of the designated rigging points for the safety cable and never secure a safety cable to a carrying handle.

INSTALLATION GUIDELINES

RIGGING

Overhead rigging requires extensive experience, including among others, calculating working load limits, installation material being used, and periodic safety inspection of all installation material and the fixture. If you lack these qualifications, do not attempt the installation yourself. Improper installation can result in bodily injury.

This fixture is designed to be mounted vertically (hanging or upright), or horizontally (perpendicular to vertical axis) only.



FALLING FIXTURES CAN CAUSE SEVERE INJURY OR SERIOUS EQUIPMENT DAMAGE! FOR THIS REASON, FIXTURES SHOULD BE INSTALLED AND INSPECTED ONLY BY QUALIFIED PERSONNEL. DO NOT INSTALL THE UNIT IF YOU LACK THE QUALIFICATIONS TO DO SO, OR IF YOU HAVE DOUBTS ABOUT THE SAFETY AND SECURITY OF THE INSTALLATION SETUP OR LOCATION!



ALWAYS ATTACH A SAFETY CABLE WHENEVER INSTALLING THIS FIXTURE IN A SUSPENDED ENVIRONMENT TO ENSURE THE FIXTURE WILL NOT FALL IF THE CLAMP FAILS.

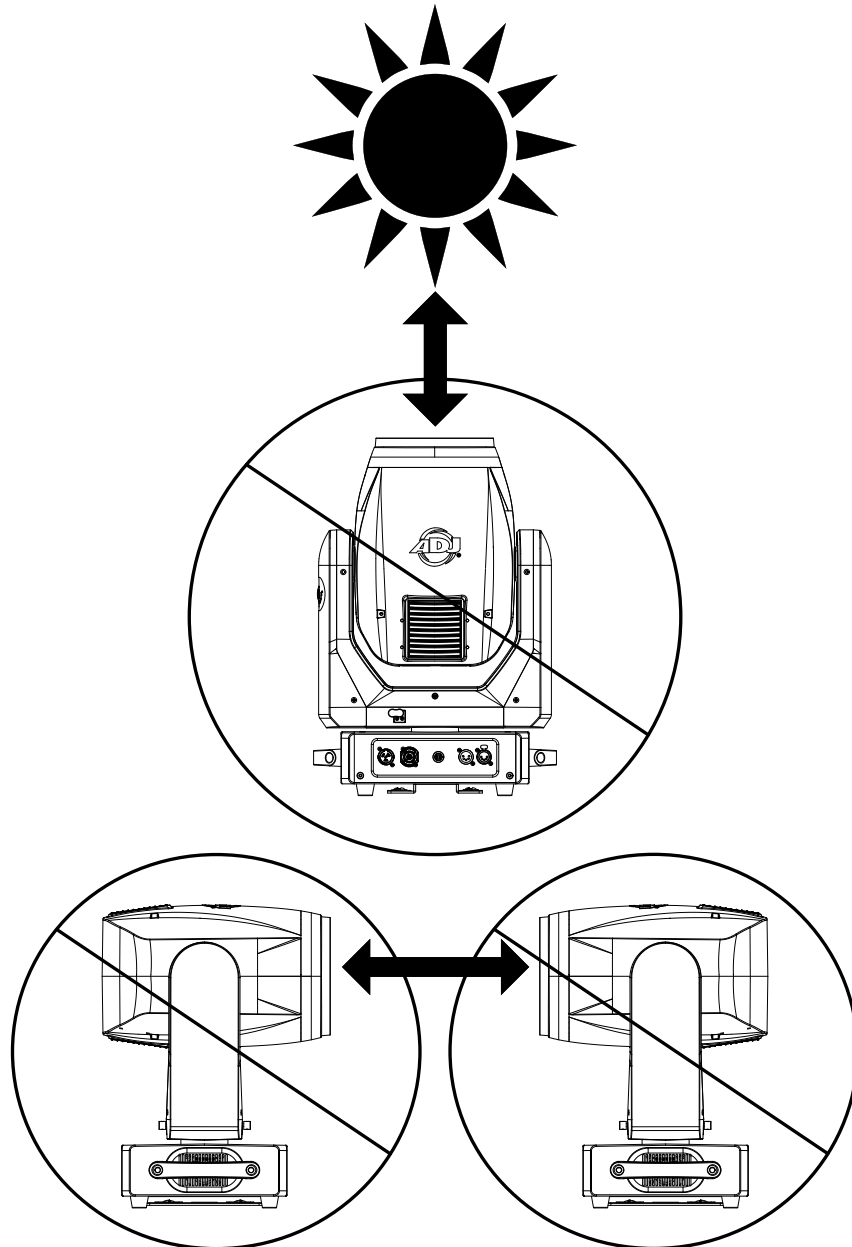
INSTALLATION GUIDELINES

POTENTIAL INTERNAL FIXTURE DAMAGE FROM EXTERNAL SOURCES OF LIGHT BEAMS

External sources of light beams from direct sunlight, lighting and moving head fixtures, and lasers, which are focused directly towards the exterior housing and/or penetrate the front lens opening of Elation lighting fixtures, can cause severe internal damage including burning of optics, dichroic color filters, glass and metal gobos, prisms, animation wheels, frost filters, iris, shutters, motors, belts, wiring, discharge lamps, and LEDs.

This issue is not specific only to Elation lighting fixtures, but rather it is a common issue with lighting fixtures from all manufacturers. Although there is no true way to fully prevent this issue from happening, the guidelines below can reduce the risk of potential damage. Contact Elation Service for more details.

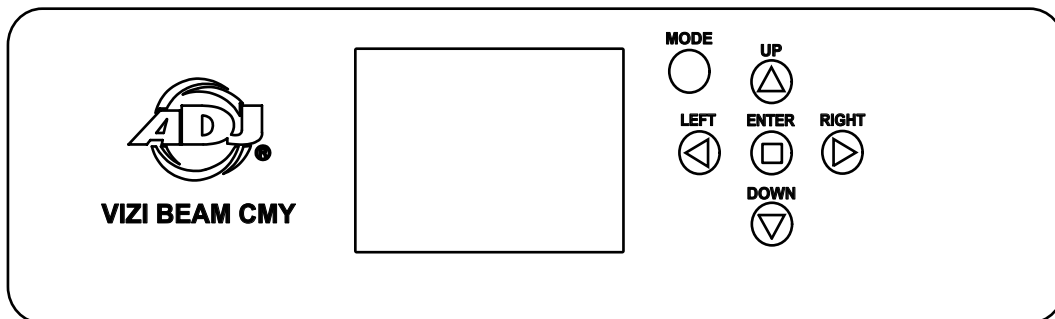
DO NOT EXPOSE THE FIXTURE AND/OR FRONT LENS OPENING TO LIGHT BEAMS FROM DIRECT SUNLIGHT, OTHER LIGHTING OR MOVING HEAD FIXTURES, AND LASERS DURING UNPACKING, INSTALLATION, USE, AND EXTENDED IDLE TIMES OUTDOORS. DO NOT FOCUS A LIGHT BEAM FROM ONE LIGHTING FIXTURE DIRECTLY TOWARDS ANOTHER.



SYSTEM MENU

The Vizi Beam CMY features a display screen with a 6-button control pad, which can be used to easily adjust any device settings.

- The **MODE** button cycles through main menu options, or returns to the previous menu without making changes.
- The **ENTER** button is used to select the highlighted option, or to confirm a selection.
- The **UP**, **DOWN**, **LEFT**, and **RIGHT** buttons are used to navigate and adjust menu options and settings displayed on the screen.



SYSTEM MENU

MAIN MENU	OPTIONS / VALUES (Default Settings in BOLD)		DESCRIPTION	
DMX Settings	DMX Address	001 - 512	Shall be used to set the units starting DMX address channel. Depending on set DMX mode, unit shall not allow to be addressed any higher that will not allow for all channels to be accessed from the console.	
	DMX CH Mode	20ch, 24ch	Shall be used to set the units desired DMX mode.	
	NO DMX Status	Hold Last	Shall be used to set the units behavior when DMX signal is not present. Hold shall be the default setting and unit shall hold all last channel values received from the console when signal is lost.	
		Blackout	Blackout option shall take all channels to zero (0) when signal is lost.	
Manual		Manual Settings option shall take all channels to the last set Manual channel settings when signal is lost.		
Personality	Prim/Sec Mode	Primary / Secondary		
	Select Signal	DMX or Aria		
	Aria Settings	Aria Enable	ON / OFF	
		Set Aria Channel	00~14, 2.4 Ghz.	
		Mesh	ON / OFF	DMX Mesh network.
		RDM	ON / OFF	When set to ON, RDM enabled.
		Bluetooth	ON / OFF	When set to ON, Bluetooth enabled.
	Status Settings	Pan Invert	ON / OFF	
		Tilt Invert	ON / OFF	
		P./T. Feedback	ON / OFF	
		P./T. Speed	Speed 1 , Speed 2	
		Hibernation	OFF , 01M~99M, 15M	When DMX signal is not present, unit goes into standby mode after the set time. When set to OFF, unit never go into hibernation mode. The unit should have 01M to 99M options... so 01M, 02M, 03M... 99M (M=Minutes). 15M default.
	Reset Motors	Reset All Motors	YES / NO	
		Pan/Tilt Reset	YES / NO	
		Color Reset	YES / NO	
		Gobo Reset	YES / NO	
		Frost Reset	YES / NO	
		Prism Reset	YES / NO	
	Display	Intensity	1-10	
		Display Invert	Auto / YES / NO	
Screen Saver Delay		OFF - 10 minutes		
Display Lock On/Off		ON / OFF		
Service (Passcode=50)	Calibration	Pan 128-127	Effects adjustments. Do not adjust effect settings when performing a factory reset at the same time.	
		Tilt 128-127		
		Color -128~127		
		...		
	Shutter 0-255			
	Update Software	YES / NO		
Factory Restore	YES / NO	Reset to factory default		

SYSTEM MENU

MAIN MENU	OPTIONS / VALUES (Default Settings in BOLD)		DESCRIPTION		
Manual Control	Pan	000-255	Set Manual Control values remain set when no DMX signal is present, including through a power cycle.		
	Tilt	000-255			
	Cyan	000-255			
	Magenta	000-255			
	Yellow	000-255			
	Color	000-255			
	Multicolor Effect	000-255			
	Gobo	000-255			
	Prism	000-255			
	Prism Rotation	000-255			
		...			
	Focus	000-255			
	Frost	000-255			
Lamp Control	Lamp ON/OFF	ON / OFF	Manual control settings shall always hold when no DMX signal is present. This includes after a power cycle.		
	Lamp ON with Power	ON / OFF			
	Lamp ON via DMX	ON / OFF			
	Lamp OFF via DMX	ON / OFF			
Information	Fixture Life Time	Power On Time	xxxxxx Hours	Total hrs. fixture powered ON. Cannot be reset.	
		P-On Time-R	xxxxxx Hours	Hours fixture powered ON. Can be reset	
		P-On Time Reset	Passcode	Reset Power On Time (Passcode= 050)	
	Total Lamp Time	Lamp On Time	xxxxxx Hours	Resets to 0 when lamp replaced and reset (Passcode= 050)	
		Lamp On Time-R	xxxxxx Times		
		Lamp On Time Reset	Passcode		
	Fixture Temperatures	Head	Current	xxx F°/xxx C°	Current fixture temperature in
			Max Resettable	xxx F°/xxx C°	Maximum temperature reached since last reset. Can be reset
			Max Not Resettable	xxx F°/xxx C°	Maximum temperature fixture reached. Cannot be reset
		Base	Current	xxx F°/xxx C°	Current fixture temperature in
			Max Resettable	xxx F°/xxx C°	Maximum temperature reached since last reset. Can be reset
			Max Not Resettable	xxx F°/xxx C°	Maximum temperature fixture reached. Cannot be reset
		Reset Head Temp	Passcode	Shall allow for Head Temperature data to be reset. Should be Passcode protected. Passcode should be 050.	
		Reset Base Temp	Passcode	Shall allow for Head Temperature data to be reset. Should be Passcode protected. Passcode should be 050.	
	Fan Info (RPM)	Base Fan	xxxx	Displays fan RPM	
		Lamp Fan	xxxx		
Head Fan 1		xxxx			
Head Fan 2		xxxx			
Head Fan 3		xxxx			
DMX Values	Pan, Pan Fine, Tilt, Tilt Fine, Cyan, magenta, Yellow,Color, Color Macros - CMY and Color Wheel,Colorful, Gobo, Prism1, Prism1Rot, Prism2, Prism2Rot,Shutter, Dimmer, Dimmer Fine, Focus, Focus Fine, Frost, CMY Speed, P/T Speed, Spe. Func		Displays current DMX Channel value of respective fixture trait.		
Error Logs	Sensor Errors	List Errors one by one	Display Fixture Errors		
	Reset Error Log	Passcode	Error log reset, passcode required (Passcode= 050)		
Software Version	x.xx		Displays current software		

SYSTEM MENU

DMX Settings

Select **DMX Settings**, and press **ENTER** button to confirm. Use **UP/DOWN** buttons to select **DMX Address**, **DMX CH Mode**, or **No DMX Status**.

DMX Address — DMX512 address setting

Select **DMX Address**, and press **ENTER** button to confirm. Use **UP/DOWN** buttons to adjust address from **001** to **512**, and press **ENTER** button to store.

DMX CH Mode — channel mode

Select **DMX CH Mode**, and press **ENTER** button to confirm. Use **UP/DOWN** buttons to select **20ch** or **24ch**, and press **ENTER** button to store.

No DMX Status — fixture state while DMX single stops

Select **No DMX Status**, and press **ENTER** button to confirm. Use **UP/DOWN** buttons to select **Hold Last** (If DMX signal stops, fixture continues to obey the last command it received Via DMX), **Blackout** (fixture blacks-out if DMX signal stops), or **Manual** (If DMX signal stops, fixture returns all channels to the last setting entered manually), and press **ENTER** button to store.

In the **Blackout / Hold Last** state, and with no DMX signal, the unit will remain in the final state for 15M before reverting to static mode. At this time, the lamp and motors will turn-off. When the DMX signal is reconnected, the unit will automatically activate and reset.

Personality

Select **Personality**, and press **ENTER** button to confirm, use **UP/DOWN** buttons to select **Status Settings**, **Reset Motors**, **Display**, or **Service**.

Status Settings

Select **Status Settings**, and press **ENTER** button to confirm. Use **UP/DOWN** buttons to select **Pan Invert**, **Tilt Invert**, **P./T. Feedback**, **Pan Degree**, **P./T. Speed** or **Hibernation**, and press **ENTER** button to store.

Pan Invert

Select **Pan Invert**, and press **ENTER** button to confirm. Use **UP/DOWN** buttons to select **OFF** (pan invert) or **ON** (normal), and press **ENTER** button to store.

Tilt Invert

Select **Tilt Invert**, and press **ENTER** button to confirm. Use **UP/DOWN** buttons to select **OFF** (tilt invert) or **ON** (normal), and press **ENTER** button to store.

P./T. Feedback

Select **P./T. Feedback**, and press **ENTER** button to confirm. Use **UP/DOWN** buttons to select **OFF** or **ON**, and press **ENTER** button to store.

Pan Degree

Select **Pan Degree**, and press **ENTER** button to confirm, **Pan Degree** will show on the display, and press **MENU** button to exit.

P./T. Speed

Select **P./T. Speed**, and press **ENTER** button to confirm. Use **UP/DOWN** buttons to select **Speed 1**, **Speed 2**, or **Speed 3**, and press **ENTER** button to store.

Hibernation

Select **Hibernation**, and press **ENTER** button to confirm. Use **UP/DOWN** buttons to select **OFF** (unit never go into hibernation mode) or **01M~99M** (Hibernation mode), and press **ENTER** button to store.

Reset Motors

Select **Reset Motors**, and press **ENTER** button to confirm. Use **UP/DOWN** buttons to select **Reset All Motors**, **Pan/Tilt Reset**, **Color Reset**, **Gobo Reset**, **Prism/R-P Reset**, **Shutter Reset**, or **Frost Reset**, and press **ENTER** button to store.

Reset All Motors

Select **Reset All Motors**, and press **ENTER** button to confirm. Use **UP/DOWN** buttons to select **No** or **Yes**, and press **ENTER** button to store.

SYSTEM MENU

Pan/Tilt Reset

Select **Pan/Tilt Reset**, and press **ENTER** button to confirm. Use **UP/DOWN** buttons to select **No** or **Yes**, and press **ENTER** button to store.

Personality (continued)

Color Reset

Select **Color Reset**, and press **ENTER** button to confirm. Use **UP/DOWN** buttons to select **No** or **Yes**, and press **ENTER** button to store.

Gobo Reset

Select **Gobo Reset**, and press **ENTER** button to confirm. Use **UP/DOWN** buttons to select **No** or **Yes**, and press **ENTER** button to store.

Prism/P-R Reset

Select **Prism/P-R Reset**, and press **ENTER** button to confirm. Use **UP/DOWN** buttons to select **No** or **Yes**, and press **ENTER** button to store.

Shutter Reset

Select **Shutter Reset**, and press **ENTER** button to confirm. Use **UP/DOWN** buttons to select **No** or **Yes**, and press **ENTER** button to store.

Focus Reset

Select **Focus Reset**, and press **ENTER** button to confirm. Use **UP/DOWN** buttons to select **No** or **Yes**, and press **ENTER** button to store.

Frost Reset

Select **Frost Reset**, and press **ENTER** button to confirm. Use **UP/DOWN** buttons to select **No** or **Yes**, and press **ENTER** button to store.

Display

Select **Display**, and press **ENTER** button to confirm. Use **UP/DOWN** buttons to select **Intensity**, **Display Invert**, **Screen Saver Delay**, or **Display Lock ON/OFF**, and press **ENTER** button to store.

Intensity

Select **Intensity**, and press **ENTER** button to confirm. Current mode will blink on the display, Use **UP/ DOWN** buttons to adjust backlight intensity from **001** (dark) to **010** (bright), and press **ENTER** button to store.

Display Invert

Select **Display Invert**, and press **ENTER** button to confirm. Use **UP/DOWN** buttons to select **OFF** or **ON**, and press **ENTER** button to store.

Screen Saver Delay

Select **Screen Saver Delay**, and press **ENTER** button to confirm. Current mode will blink on the display. Use **UP/DOWN** buttons to adjust backlight intensity from **OFF** or **01M** to **10M**, and press **ENTER** button to store.

Display Lock ON/OFF

Select **Display Lock ON/OFF**, and press **ENTER** button to confirm. Current mode will blink on the display. Use **UP/DOWN** buttons to select **OFF** or **ON**, and press **ENTER** button to store.

Service

Select **Service**, and press **ENTER** button to confirm. Current mode will show on the display, Use **UP/ DOWN** button to select **050**, and press **ENTER** button to confirm. Use **UP/DOWN** buttons to select **Calibration**, **High Temp Fan Mode**, **USB Port Power**, **Update Software**, or **Factory Restore**.

High Temp Fan Mode is for use in extreme conditions or weather, and allows the unit to run the fan continuously to keep lamp temperature within a safe range.

When selecting **Calibration**, use **UP/DOWN** buttons to select **Pan**, **Tilt**, **Shutter**, **Color**, **Gobo**, **Prism1**, **RPrism**, **Prism2**, **Frost**, or **Focus**, then use **UP** and **DOWN** button to adjust value.

When selecting **USB Port Power**, use **UP/DOWN** buttons to select **OFF** or **ON**.

When selecting **Update Software**, Use **UP/DOWN** buttons to select **NO** or **YES**.

When selecting **Factory Restore**, use **UP/DOWN** buttons to select **NO** or **YES**.

SYSTEM MENU

Manual Control

Select **Manual Control**, and press **ENTER** button to confirm. Current channel will show on the display. Use **UP/DOWN** button to select **Pan, Tilt, Color, Gobo, Prism1, Prism2, RPrism, Shutter, Dimmer, Dimmer Fine, Focus, or Frost**, press **ENTER** button to confirm, then Use **UP/DOWN** button to adjust value **000** to **255**, press **ENTER** button to store, and the fixture will run as the channel value indicates. Press **MENU** button back to the last menu, or exit menu mode idling one minute. (All channels value will become 0 after exiting Manual Test menu)

Information

Select **Information**, and press **ENTER** button to confirm. Use **UP/DOWN** buttons to select **Fixture Life Time, Total Lamp Time, Fixture Temps, Fan Info.(RPM), DMX Values, Error Logs, or Software Version**.

Fixture Life Time

Select **Fixture Life Time**, and press **ENTER** button to confirm. Use **UP/DOWN** buttons to select **Power On Time, P-On Time-R, or P-On Time Reset**, and press **ENTER** button to store.

Total Lamp Time

Select **Total Lamp Time**, and press **ENTER** button to confirm. Use **UP/DOWN** buttons to select **Lamp On Time, Lamp On Time-R, or Lamp On Time Reset**, and press **ENTER** button to store.

Fixture Temps

Select **Fixture Temps**, and press **ENTER** button to confirm. Use **UP/DOWN** buttons to select **Head, or Reset Head Temp**, and press **ENTER** button to store.

Fan Info.(RPM)

Select **Fan Info.(RPM)**, and press **ENTER** button to confirm. Use **UP/DOWN** buttons to select **B_Fan1, B_Fan2, H_Fan1, H_Fan2, or H_Fan3**, and press **ENTER** button to store.

DMX Values

Select **DMX Values**, and press **ENTER** button to confirm. Use **UP/DOWN** buttons to select **Pan, Pan Fine, Tilt, Tilt Fine, Color, Gobo, Prism1, Prism2, RPrism, Shutter, Dimmer, Dimmer Fine, Focus, Focus Fine, Frost, P/T Speed, or Spe. Func**, and press **ENTER** button to store.

Error Logs

Select **Error Logs**, and press **ENTER** button to confirm. Use **UP/DOWN** buttons to select **Fixture Errors, or Reset Error Log**, and press **ENTER** button to store.

Software Version

Select **Software Version**, and press **ENTER** button to confirm. **Software Version** will show on the display. Press **MENU** button to exit.

Lamp Control

Select **Lamp Control**, and press **ENTER** button to confirm. Use **UP/DOWN** buttons to select **Lamp ON/ OFF, Lamp On with Power, Lamp On via DMX, or Lamp Off via DMX**, and press **ENTER** button to store.

DMX SETUP

Power Supply: The ADJ Vizi Beam CMY incorporates an electronic ballast, which automatically senses the voltage when it is plugged into the power source. With the electronic ballast, this unit can be plugged in anywhere.

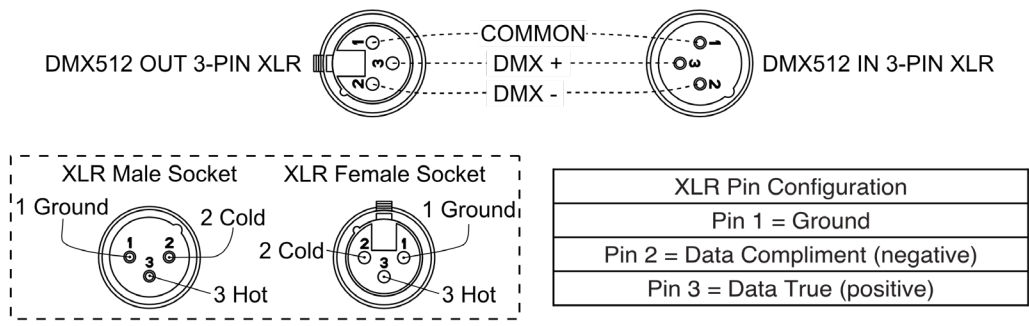
DMX-512: DMX stands for Digital Multiplex. This is a universal protocol used by most lighting and controller manufacturers as a form of communication between intelligent fixtures and controllers. A DMX controller sends DMX data instructions from the controller to the fixture. DMX data is sent as serial data that travels from fixture to fixture via the DATA “IN” and DATA “OUT” XLR terminals found on all DMX fixtures (most controllers only have a DATA “OUT” terminal).

DMX Linking: DMX serves as a language that allows all makes and models from different manufacturers to be linked and operated from a single controller if all fixtures and the controller are DMX compliant. To ensure proper DMX data transmission when using several DMX fixtures, use the shortest cable path possible. The order in which fixtures are connected in a DMX line does not influence the DMX addressing. For example, a fixture assigned a DMX address of 1 may be placed anywhere in a DMX line—at the beginning, at the end, or anywhere in the middle. Therefore, the first fixture controlled by the controller could be the last fixture in the chain. When a fixture is assigned a DMX address of 1, the DMX controller knows to send DATA assigned to address 1 to that unit, no matter where it is in the DMX chain.

Data Cable (DMX Cable) Requirements (For DMX and Primary/Secondary Operation): The Vizi Beam CMY can be controlled via DMX-512 protocol. It can be either a 10, 12, or 16-channel DMX unit. The DMX address is electronically set using the controls on the front panel of the unit. One’s unit and DMX controller require an approved DMX-512 110 Ohm Data cable for data input and data output (Figure 1). Accu-Cable DMX cables are recommended. If one is making their own cables, be sure to use standard 110-120 Ohm shielded cable (This cable may be purchased at almost all professional sound and lighting stores). Cables should be made with a male and female XLR connector on either end of the cable. Also, remember that DMX cable must be daisy-chained and cannot be split.



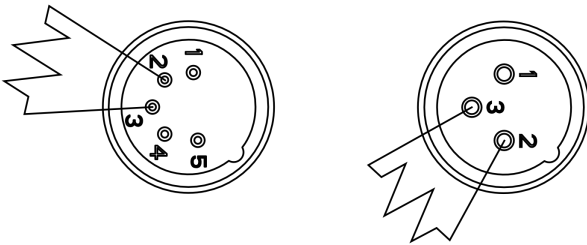
Notice: Be sure to follow figures two and three when making one’s own cables. Do not use the ground lug on the XLR connector. Do not connect the cable’s shield conductor to the ground lug or allow the shield conductor to contact the XLR’s outer casing. Grounding the shield could cause a short circuit and erratic behavior.



DMX SETUP

Power Supply: The ADJ Vizi Beam CMY incorporates an electronic ballast, which automatically

Special Note: Line Termination: When using longer runs of cable, one may need to use a terminator on the last unit to avoid erratic behavior. A terminator is a 110-120 ohm 1/4-watt resistor, which connects between pins 2 and 3 of a male XLR connector (DATA + and DATA -). Insert this unit into the female XLR connector of the last unit in one's daisy chain to terminate the line. Using a cable terminator (ADJ part number Z-DMX/T) will decrease the possibilities of erratic behavior.



A DMX512 terminator reduces signal errors, avoiding most signal reflection interference. Connect PIN 2 (DMX-) and PIN 3 (DMX+) of the last fixture in series with a 120 Ohm, 1/4 W Resistor to terminate the DMX512.

5-Pin XLR DMX Connectors: Some manufacturers use 5-pin DMX-512 data cables for DATA transmission instead of 3-pin. 5-pin DMX fixtures may be implemented in a 3-pin DMX line. When inserting standard 5-pin data cables into a 3-pin line, use a cable adaptor, readily available at most electric stores. The chart below details a proper cable conversion.



3-Pin XLR to 5-Pin XLR Conversion		
Ground/Shield	Pin 1	Pin 1
Data Compliment (- signal)	Pin 2	Pin 2
Data True (+ signal)	Pin 3	Pin 3
Not Used		Do Not Use
Not Used		Do Not Use

DMX TRAITS

CHANNEL		DMX VALUE	FUNCTION
20CH	24CH		
1	1	000-255	Pan
	2	000-255	Pan Fine
2	3	000-255	Tilt
	4	000-255	Tilt Fine
3	5	000-255	Cyan 0 -100%
4	6	000-255	Magenta 0 - 100%
5	7	000-255	Yellow 0 - 100%
6	8		Color
		000-003	White
		004-007	Color1
		008-011	Color2
		012-015	Color3
		016-019	Color4
		020-023	Color5
		024-027	Color6
		028-031	Color7
		032-035	Color8
		036-039	Color9
		040-043	Color10
		044-047	Color11
		048-051	Color12
		052-055	Color13
		056-059	Color14
		060-061	White
		062-063	White to Color1
		064-065	Color1
		066-067	Color1 to Color2
		068-069	Color2
		070-071	Color2 to Color3
		072-073	Color3
		074-075	Color3 to Color4
		076-077	Color4
		078-079	Color4 to Color5
		080-081	Color5
		082-083	Color5 to Color6
		084-085	Color6
		086-087	Color6 to Color7
		088-089	Color7
		090-091	Color7 to Color8
		092-093	Color8
		094-095	Color8 to Color9
096-097	Color9		
098-099	Color9 to Color10		
100-101	Color10		
102-103	Color10 to Color11		
104-106	Color11		
107-109	Color11 to Color12		
110-112	Color12		
113-115	Color12 to Color13		
116-118	Color13		
119-121	Color 13 to Color14		
122-124	Color14		
125-127	Color14 to White		
128-189	Clockwise Rotation Fast to Slow		
190-193	Stop		
	194-255	Counter-Clockwise Rotation Slow to Fast	

DMX TRAITS

CHANNEL		DMX VALUE	FUNCTION
20CH	24CH		
7	9		Color Macros - CMY and Color Wheel
		000-031	OFF
		032-039	Macro1
		040-047	Macro2
		048-055	Macro3
		056-063	Macro4
		064-071	Macro5
		072-079	Macro6
		080-087	Macro7
		088-095	Macro8
		096-103	Macro9
		104-111	Macro10
		112-119	Macro11
		120-127	Macro12
		128-135	Macro13
		136-143	Macro14
		144-151	Macro15
		152-159	Macro16
		160-167	Macro17
		168-175	Macro18
		176-183	Macro19
		184-191	Macro20
		192-199	Macro21
		200-207	Macro22
208-215	Macro23		
216-223	Macro24		
224-231	Macro25		
232-239	Macro26		
240-247	Macro27		
248-255	Random CMY		
8	10		Multicolor Effect
		000-007	Close
		008-255	Open

DMX TRAITS

CHANNEL		DMX VALUE	FUNCTION
20CH	24CH		
9	11		Static Gobo
		000-007	Open
		008-010	Gobo1
		011-013	Gobo2
		014-016	Gobo3
		017-019	Gobo4
		020-022	Gobo5
		023-025	Gobo6
		026-028	Gobo7
		029-031	Gobo8
		032-034	Gobo9
		035-037	Gobo10
		038-040	Gobo11
		041-043	Gobo12
		044-046	Gobo13
		047-049	Gobo14
		050-052	Gobo15
		053-055	Gobo16
		056-059	Open Shaking Slow to Fast
		060-063	Gobo1 Shaking Slow to Fast
		064-067	Gobo2 Shaking Slow to Fast
		068-071	Gobo3 Shaking Slow to Fast
		072-075	Gobo4 Shaking Slow to Fast
		076-079	Gobo5 Shaking Slow to Fast
		080-083	Gobo6 Shaking Slow to Fast
		084-087	Gobo7 Shaking Slow to Fast
		088-091	Gobo8 Shaking Slow to Fast
		092-095	Gobo9 Shaking Slow to Fast
		096-099	Gobo10 Shaking Slow to Fast
		100-103	Gobo11 Shaking Slow to Fast
104-107	Gobo12 Shaking Slow to Fast		
108-111	Gobo13 Shaking Slow to Fast		
112-115	Gobo14 Shaking Slow to Fast		
116-119	Gobo15 Shaking Slow to Fast		
120-127	Gobo16 Shaking Slow to Fast		
128-189	Clockwise Rotation Fast to Slow		
190-193	Stop		
194-255	Counter-Clockwise Rotation Slow to Fast		
10	12		Prism1
		000-007	Close
		008-255	Open
11	13		Prism1 Rotation
		000-127	0% ~ 100%
		128-189	Clockwise Rotation Fast to Slow
		190-193	Stop
		194-255	Counter-Clockwise Rotation Slow to Fast

DMX TRAITS

CHANNEL		DMX VALUE	FUNCTION
20CH	24CH		
12	14		Prism2
		000-007	Close
		008-255	Open
13	15		Prism2 Rotation
		000-127	0% ~ 100%
		128-189	Clockwise Rotation Fast to Slow
		190-193	Stop
		194-255	Counter-Clockwise Rotation Slow to Fast
14	16		Shutter
		000-031	Close
		032-063	Open
		064-095	Strobe from Slow to Fast
		096-127	Open
		128-159	Pulse Effect in sequence
		160-191	Open
		192-223	Random Strobe Slow to Fast
	224-255	Open	
15	17	000-255	Dimmer 0 - 100%
	18	000-255	Dimmer Fine 0 - 100%
16	19	000-255	Focus 0 - 100%
	20	000-255	Focus Fine 0 - 100%
17	21	000-255	Frost 0 - 100%
18	22	000-255	CMY Speed Fast to Slow
19	23	000-255	Pan/Tilt Speed Fast to Slow
20	24		Special
		000-069	Null
		070-079	Enable blackout while Pan/Tilt moving
		080-089	Disable blackout while Pan/Tilt moving
		090-099	Enable blackout while color changing
		100-109	Disable blackout while color changing
		110-119	Enable blackout while gobo changing
		120-129	Disable blackout while gobo changing
		130-139	Lamp On
		140-149	Reset XY
		150-159	Reset Effect
		160-169	Reset Color (Color Wheel and CMY)
		170-199	No Function
		200-209	Reset All
		210-229	No Function
		230-239	Lamp Off
	240-255	No Function	

ERROR CODES

When power is applied, the unit will automatically enter a “reset/test” mode. This mode brings all the internal motors to home position. If there is an internal problem with one or more of the motors, an error code will flash in the display in the form of “XXer”, where “XX” represents a function number. For example, when the display shows “03Er,” it means there is an error with the channel 3 motor. If there are multiple errors during the start-up process, they will all flash in the display. For example: if the fixture has errors on channel 1 and channel 3 at the same time, an error message, “01Er”, and “03Er “, flashes 5 times.

Error Codes subject to change without notice		
ERROR GROUP	ERROR CODE	DESCRIPTION
Encoder Error	Pan Encoder Error	Encoder Error: Pan
	Tilt Encoder Error	Encode Error: Tilt
Sensor Error	Pan Sensor Error	Sensor Error: Pan
	Tilt Sensor Error	Sensor Error: Tilt
	Cyan Sensor Error	Sensor Error: Cyan
	Magenta Sensor Error	Sensor Error: Magenta
	Yellow Sensor Error	Sensor Error: Yellow
	Color Sensor Error	Sensor Error: Color
	Gobo Sensor Error	Sensor Error: Gobo
	Prism1 Sensor Error	Sensor Error: Prism1
	Prism2 Sensor Error	Sensor Error: Prism2
	Prism2 Rot Sensor Error	Sensor Error: Prism2 Rot
	Focus Sensor Error	Sensor Error: Focus
Communication Error	CPU-B Error	Lost Connection: PAN/TILT
	CPU-C Error	Lost Connection: Effects
	CPU-D Error	Lost Connection: COLOR
	CPU-E Error	Lost Connection: FAN
Fan Error	B-Fan1 Error	Fan Error: B-Fan1
	B-Fan2 Error	Fan Error: B-Fan2
	H-Fan1 Error	Fan Error: H-Fan1
	H-Fan2 Error	Fan Error: H-Fan2
	H-Fan3 Error	Fan Error: H-Fan3
	H-Fan4 Error	Fan Error: H-Fan4
Lamp Error	Lamp Communication Error	Lamp Error: Communication
	Lamp Temperature Error	Lamp Error: Temperature shut down
	Lamp Short Circuit Error	Lamp Error: Short circuit in output detected
	Lamp Life Error	Lamp Error: End of lamp life detected
	Lamp Ignite Error	Lamp Error: Lamp did not ignite
	Lamp Extinguish Normal	Lamp Error: Lamp extinguished during normal operation
	Lamp Extinguish Run-up	Lamp Error: Lamp extinguished during run-up phase
	Lamp UART Buffer Error	Lamp Error: UART buffer overflow
	Lamp Current Error	Lamp Error: Lamp current calculation error
	Lamp Config Error	Lamp Error: Corrupted software configuration
Lamp Under Voltage Error	Lamp Error: Lamp voltage too low	

REMOTE DEVICE MANAGEMENT (RDM)

NOTE: for RDM to work properly, RDM enabled equipment must be used throughout the entire system, including DMX data splitters and wireless systems.

Remote Device Management (RDM) is a protocol that sits on top of the DMX512 data standard for lighting, allowing the DMX systems of the fixtures to be modified and monitored remotely. This protocol is ideal for instances in which a unit is installed in a location that is not easily accessible.

With RDM, the DMX512 system becomes bi-directional, allowing a compatible RDM enabled controller to send out a signal to devices on the wire, as well as allowing the fixture to respond (known as a GET command). The controller can then use its SET command to modify settings that would typically have to be changed or viewed directly via the unit's display screen, including the DMX Address, DMX Channel Mode, and Temperature Sensors.

FIXTURE RDM INFORMATION:

RDM Code	Device ID	Device Model ID	Personality ID
0x1900	Generated by MCU ID	0x0102	20CH(1) 24CH(2)"

Please be aware that not all RDM devices support all RDM features, and therefore it is important to check beforehand to ensure that the equipment that you are considering includes all of the features that you require.

The following parameters are accessible in RDM on this device:

Parameter ID	Code
DISC_UNIQUE_BRANCH	0x0001
DISC_MUTE	0x0002
DISC_UN_MUTE	0x0003
SUPPORTED_PARAMETERS	0x0050
PARAMETER_DESCRIPTION	0x0051
DEVICE_INFO	0x0060
SOFTWARE_VERSION_LABEL	0x00C0
DMX_START_ADDRESS	0x00F0
IDENTIFY_DEVICE	0x1000
DEVICE_MODEL_DESCRIPTION	0x0080
MANUFACT_LABEL	0x0081
DEVICE_LABEL	0x0082
DMX_PERSONALITY	0x00E0
DMX_PERSONALITY_DESCRIPTION	0x00E1
DEVICE_HOURS	0x0400
LAMP_HOURS	0x0401
LAMP_STRIKES	0x0402
PAN_INVERT	0x0600
TILT_INVERT	0x0601
PAN_TILT_SWAP	0x0602

MAINTENANCE GUIDELINES

DISCONNECT POWER BEFORE PERFORMING ANY MAINTENANCE!

FUZE REPLACEMENT

Locate and remove the unit's power cord. Once the cord has been removed, locate the fuse holder inside the power socket. Insert a flat-head screw driver into the power socket, and gently pry out the fuse holder. Remove the bad fuse, and replace with a new one. The fuse holder has a built-in socket for a spare fuse be sure not to confuse the spare fuse with active fuse.

CLEANING

Frequent cleaning is recommended to ensure proper function, optimized light output, and an extended life. The frequency of cleaning depends on the environment in which the fixture operates: damp, smoky, or particularly dirty environments can cause greater accumulation of dirt on the fixture's optics. Clean the external lens surface periodically with a soft cloth to avoid dirt/debris accumulation.

NEVER use alcohol, solvents, or ammonia-based cleaners.

MAINTENANCE

Regular inspections are recommended to ensure proper function and extended life.

There are no user serviceable parts inside this fixture, please refer all other service issues to an authorized ADJ service technician. Should you need any spare parts, please order genuine parts from your local ADJ dealer.

Please refer to the following points during routine inspections:

- A detailed electrical check by an approved electrical engineer every three months, to make sure the circuit contacts are in good condition in order to prevent overheating.
- Be sure all screws and fasteners are securely tightened at all times. Loose screws may fall out during normal operation, resulting in damage or injury as larger parts could fall.
- Check for any deformations on the housing, color lenses, rigging hardware, and rigging points (ceiling, suspension, trussing). Deformations in the housing could allow for dust or liquids to enter into the fixture. Damaged rigging points or unsecured rigging could cause fixture to fall and seriously injure a person(s).
- Electric power supply cables must not show any damage, material fatigue, or sediments.
- **NEVER** remove the ground prong from the power cable.

SPECIFICATIONS

Light Source:

OSRAM Sirius HRI 310W PRO Discharge Lamp
(6,000 hr.)
Color temperature: 7850K (+/- 500K)
CRI: 86 (+/- 5)

Features:

CMY Color Mixing
On-Board Wireless DMX
Motorized Focus + 16-bit fine focus
2-degree beam angle
Frost Filter to create wash effect
High quality glass lens
2 Rotating prisms:
0-100% smooth dimming
Pan/Tilt locks
Various strobe speeds
OTA, wireless, firmware updates
Fan cooled

Color Wheel:

14 dichroic colors + white (Includes CTO (3200K),
CTB (9000k) & UV)
Indexable color wheel for split colors
Separate Multi-Color Effect

GOBO Wheel:

17 static GOBOs + open (4 GOBOs are beam
reducers)
GOBO Shake Effect

Prism Wheels:

2 Rotating prisms
16 facet circular and 6 facet linear prisms
Prisms Overlay

Control:

Protocols: DMX512 & RDM
Control Mode: DMX512 & Manual (On-board
Controls)
2 DMX Channel Modes: 14/16 Channels
Color LCD display with 4-button function menu
0-100% smooth dimming
Various strobe speeds
With Wired Digital Communication Network

Pan/Tilt:

Pan: 540 degrees (plus 16-bit fine pan)
Tilt: 270 degrees (plus 16-bit fine tilt)
3 Phase, High Speed, Pan/Tilt motors

Connections:

DMX Connections: 5-pin DMX In/Out (Data link
max: 32 fixtures)
Power Connections: Outdoor locking In/Out
connections to daisy chain power

Electrical:

Multi-voltage operation: 100-240V, 50/60Hz
Max power consumption: 410W (@120V), 390W
(@230V)

Dimensions & Weight:

Dimension: 9.8" (L) x 14.3" (W) x 17.9" (H) / 248 x
364 x 454.8mm
Weight: 38.5 lbs. / 17.5 kg.

Approvals / Ratings

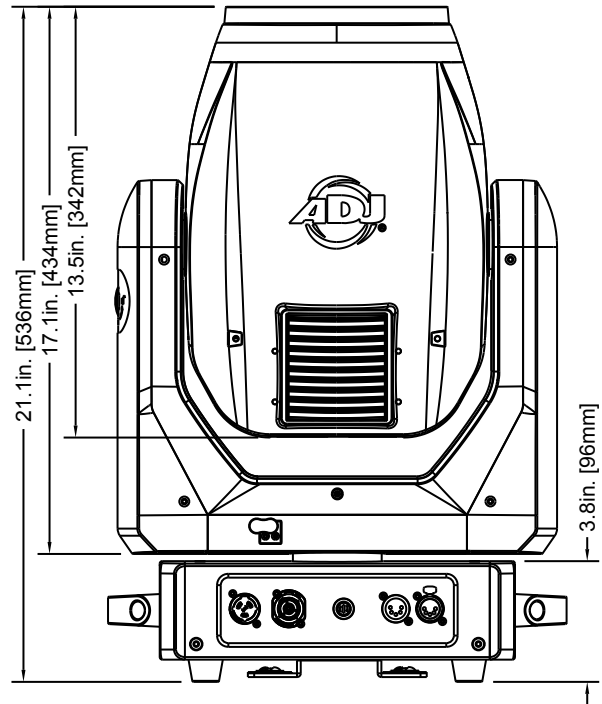
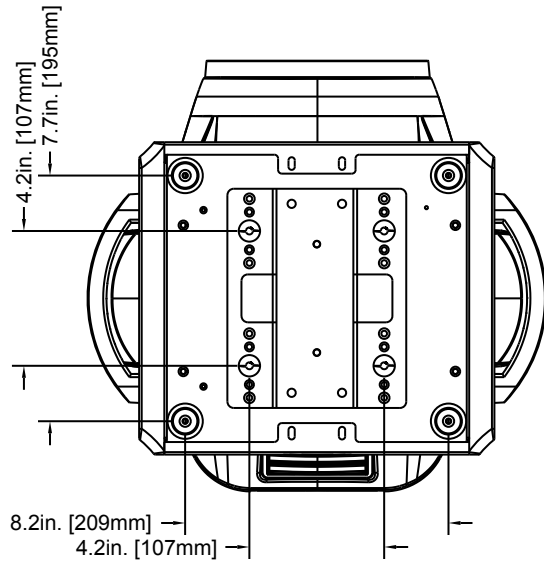
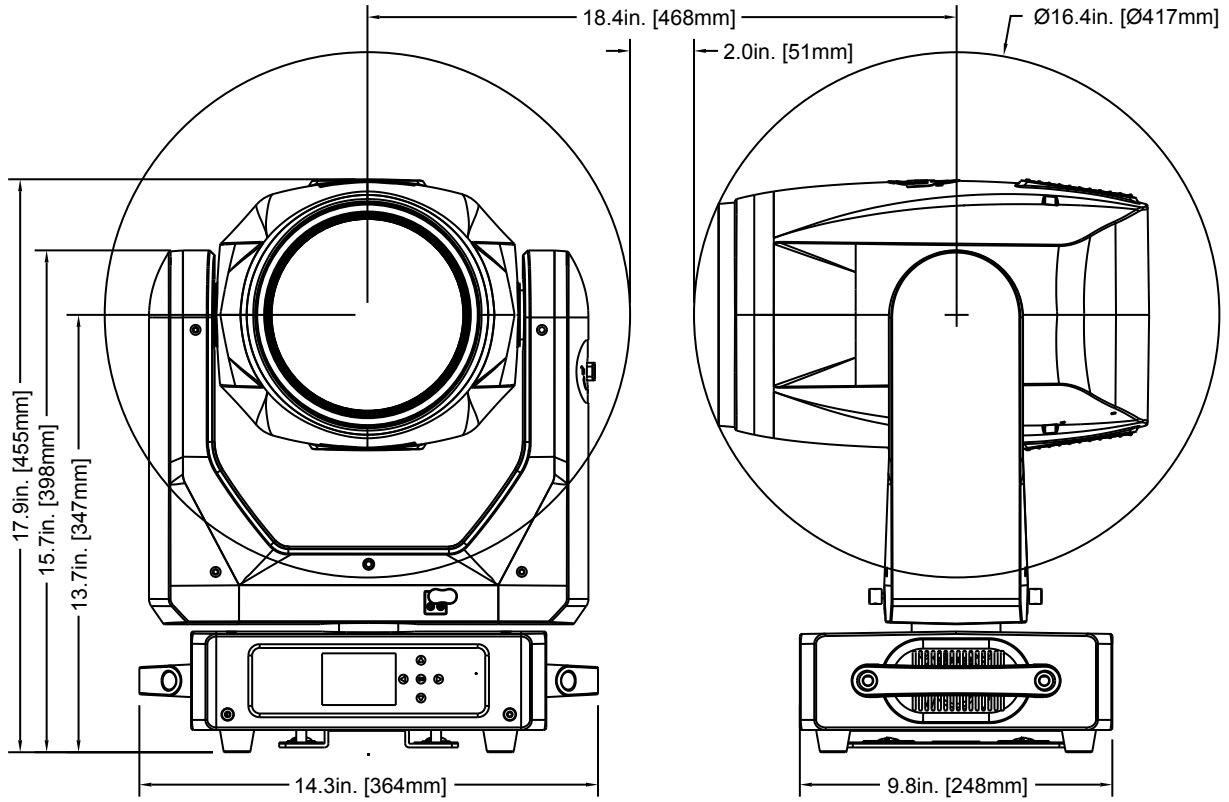
CE, cETLus (Pending)

Included:

2x Omega Brackets (107 Type)
2M, outdoor locking 14AWG power cord

DIMENSION DRAWINGS

Drawings not to scale



OPTIONAL ACCESSORIES

ORDER CODE		ITEM
US	EU	
VIZ315	1237000338	ADJ Vizi Beam CMY
TRIGGER CLAMP	N/A	Heavy Duty Wrap Around Hook Style Clamp
SIP126	N/A	5 ft. (1.5m) IP66 Twist Lock Power Link Cable
AC5PDMX5PRO	N/A	5 ft. (1.5m) 5pin PRO DMX Cable
		Additional Cable Lengths Available



FCC STATEMENT

This device complies with Part 15 of the FCC Rules. Operation is subject to the following two conditions: (1) this device may not cause harmful interference, and (2) this device must accept any interference received, including interference that may cause undesired operation.

FCC RADIO FREQUENCY INTERFERENCE WARNINGS & INSTRUCTIONS

This product has been tested and found to comply with the limits as per Part 15 of the FCC Rules. These limits are designed to provide reasonable protection against harmful interference in a residential installation. This device uses and can radiate radio frequency energy and, if not installed and used in accordance with the included instructions, may cause harmful interference to radio communications. However, there is no guarantee that interference will not occur in a particular installation. If this device does cause harmful interference to radio or television reception, which can be determined by turning the device off and on, the user is encouraged to try to correct the interference by one or more of the following methods:

- Reorient or relocate the device.
- Increase the separation between the device and the receiver.
- Connect the device to an electrical outlet on a circuit different from which the radio receiver is connected.
- Consult the dealer or an experienced radio/TV technician for help.

Energy Saving Matters (EuP 2009/125/EC)

Saving electric energy is a key to help protecting the environment. Please turn off all electrical products when they are not in use. To avoid power consumption in idle mode, disconnect all electrical equipment from power when not in use. Thank you!

