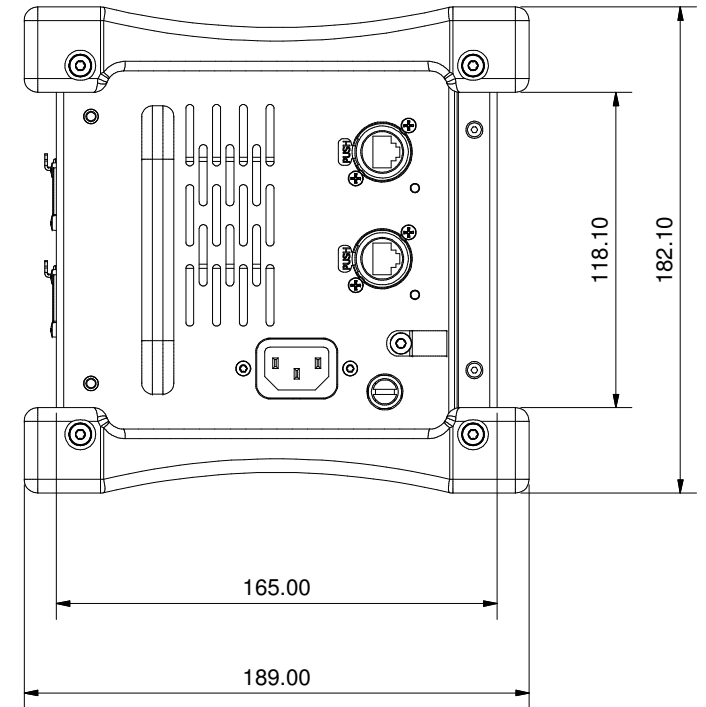
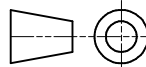


WEIGHT 4.80Kg



THIRD ANGLE
PROJECTION



MATERIAL:

All materials to be compliant with The Restriction of
Hazardous Substances (ROHS) Directive (2002/95/EC)

TOLERANCES U O S:
GENERAL ± 0.25 HOLE CENTRES ± 0.10
HOLE SIZES ± 0.05 ANGULAR DIMS ± 0.50

FINISH:

DRAWING

UNIT

PART
No AB 168

DRAWING No
AB-168

ALLEN & HEATH Ltd.

KERNICK INDUSTRIAL ESTATE
PENRYN CORNWALL TR10 9LU
TELEPHONE 01326 372070
FACSIMILE 01326 370153

SHEET
2 of 2

ISSUE
A