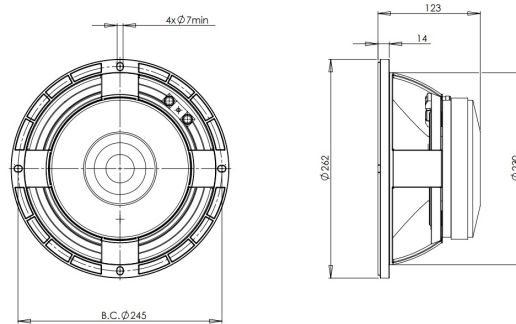


10PS26

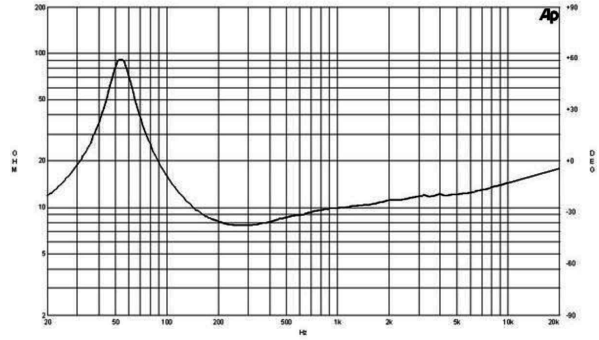
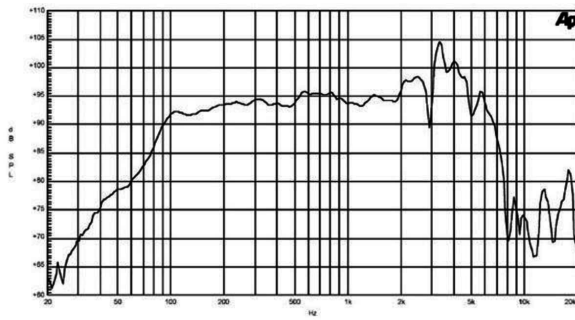
8Ω**LF Drivers - 10.0 Inches**

- 700 W continuous program power capacity
- 76 mm (3 in) aluminium voice coil
- 55 - 4000 Hz response
- 96 dB sensitivity
- Shorting copper cap for extended HF response



10PS26

LF Drivers- 10.0 Inches



SPECIFICATIONS

Nominal Diameter	250 mm (10.0 in)
Nominal Impedance	8 Ω
Minimum Impedance	7.1 Ω
Nominal Power Handling ¹	350 W
Continuous power handling ²	700 W
Sensitivity (1W/1m) ³	96.0 dB
Frequency Range	55 - 4000 Hz
Voice Coil Diameter	76 mm (3.0 in)
Winding Material	Aluminium
Former Material	Glass Fibre
Winding Depth	18.0 mm (0.71 in)
Magnetic Gap Depth	10.0 mm (0.4 in)
Flux Density	0.9 T

DESIGN

Surround Shape	Double Roll
Cone Shape	Exponential
Magnet Material	Ferrite
Spider	Single
Pole Design	T-Pole
Woofer Cone Treatment	None
Recommended Enclosure	25.0 dm ³ (0.88 ft ³)
Recommended Tuning	65 Hz

PARAMETERS⁴

Resonance Frequency	54 Hz
Re	6.0 Ω
Qes	0.33
Qms	2.9
Qts	0.29
Vas	38.0 dm ³ (1.3 ft ³)
Sd	320.0 cm ² (49.1 in ²)
η_0	1.8 %
Xmax	\pm 5.5 mm
Xvar	\pm 5.0 mm
Mms	33.0 g
Bl	14.1 Txm
Le	1.2 mH
EBP	163 Hz

MOUNTING AND SHIPPING INFO

Overall Diameter	262 mm (10.3 in)
Bolt Circle Diameter	245 mm (9.6 in)
Baffle Cutout Diameter	230.0 mm (8.8 in)
Depth	123 mm (4.8 in)
Flange and Gasket Thickness	14 mm (0.55 in)
Air Volume Occupied by Driver	0.0 dm ³ (0.0 ft ³)
Net Weight	6.05 kg (13.34 lb)
Shipping Units	1
Shipping Weight	6.65 kg (14.66 lb)
Shipping Box	295x314x175 mm (11.61x12.36x6.89 in)

SERVICE KIT

Recone kit	RCK010PS268
------------	-------------

1. 2 hours test made with continuous pink noise signal within the range Fs-10Fs. Power calculated on rated minimum impedance. Loudspeaker in free air.
2. Power on Continuous Program is defined as 3 dB greater than the Nominal rating.
3. Applied RMS Voltage is set to 2.83 V for 8 ohms Nominal Impedance.
4. Thiele-Small parameters are measured after a high level 20 Hz sine wave preconditioning test.