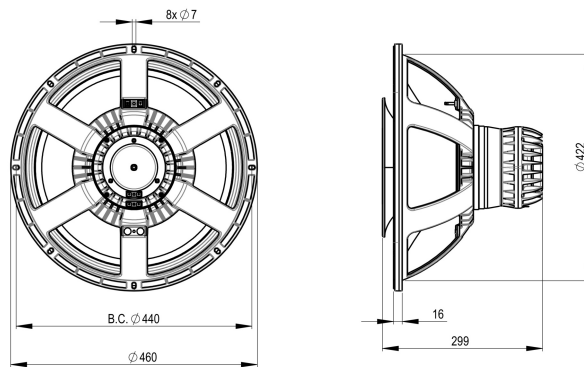


# 18HTX100

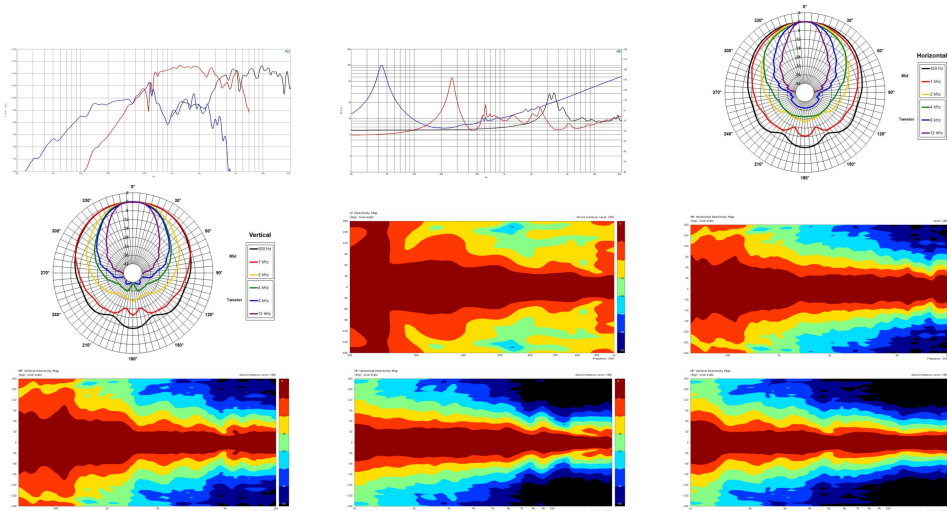
**8Ω****Triaxials** - 18.0 Inches

- 100 dB (LF), 110 dB (MF/HF) sensitivity
- 1600 W continuous program power capacity
- 60°x40° nominal coverage
- 44 - 18000 Hz response
- FEA optimized horn flare for improved acoustic loading and controlled coverage
- Double silicone spider with optimized compliance
- Aluminium demodulating ring for very low distortion



# 18HTX100

Triaxials- 18.0 Inches



## SPECIFICATIONS

Nominal Diameter	460.0 mm (18.0 in)
Frequency Range	44.0 - 18000.0 Hz
Dispersion Angle <sup>1</sup>	60°x40°
Woofer Cone Treatment	TWP Waterproof Both Sides
Magnet Material	Neodymium Ring

## SPECIFICATIONS LF UNIT

LF Nominal Impedance	8 Ω
LF Nominal Power Handling <sup>2</sup>	800 W
LF Continuous Power Handling <sup>3</sup>	1600 W
LF Minimum Impedance	6.6 Ω
LF Sensitivity <sup>4</sup>	100.0 dB
LF Voice Coil Diameter	100.0 mm (4.0 in)
LF Winding Material	Aluminium
LF Former Material	Glass Fibre
LF Winding Depth	25.1 mm (1.0 in)
LF Magnetic Gap Depth	10.2 mm (0.4 in)
LF Flux Density	1.5 T

## SPECIFICATIONS HF UNIT

HF Nominal Impedance	8 Ω
HF Minimum Impedance	9.0 Ω
HF Nominal Power Handling <sup>5</sup>	80 W
HF Continuous Power Handling <sup>6</sup>	160 W
HF Sensitivity (1W/1m) <sup>7</sup>	110.0 dB
HF Frequency Range	3.5 - 18.0 kHz
HF Recommended Crossover <sup>8</sup>	4.0 kHz
HF Voice Coil Diameter	65 mm (2.5 in)
HF Winding Material	Aluminium
HF Inductance	0.1 mH
Hf diaphragm material	HT Polymer
HF Flux Density	2.14 T
HF Magnet Material	Neodymium Inside Slug

## SPECIFICATIONS MF UNIT

MF Nominal Impedance	8 Ω
MF Minimum Impedance	6.0 Ω
MF Nominal Power Handling <sup>9</sup>	110 W
MF Continuous Power Handling <sup>10</sup>	220 W
MF Sensitivity (1W/1m) <sup>11</sup>	110.0 dB
MF Frequency Range	0.5 - 5.5 kHz
MF Recommended Crossover <sup>12</sup>	0.6 kHz
MF Voice Coil Diameter	100 mm (4.0 in)
MF Winding Material	Aluminium
MF Inductance	0.21 mH
MF diaphragm material	HT Polymer
MF Flux Density	1.9 T
MF Magnet Material	Neodymium Ring

## PARAMETERS<sup>13</sup>

Resonance Frequency	44.0 Hz
Re	5.4 Ω
Qes	0.34
Qms	6.3
Qts	0.32
Vas	173.0 dm <sup>3</sup> (6.11 ft <sup>3</sup> )
Sd	1210.0 cm <sup>2</sup> (187.55 in <sup>2</sup> )
η <sub>o</sub>	4.3 %
Xmax	± 10.0 mm
Xvar	± 13.0 mm
Mms	158.5 g
Bl	26.3 Txm
Le	1.16 mH
EBP	129 Hz

## MOUNTING AND SHIPPING INFO

Overall Diameter	460.0 mm (18.11 in)
Bolt Circle Diameter	440.0 mm (17.32 in)
Baffle Cutout Diameter	423.0 mm (16.65 in)
Depth	299.0 mm (11.77 in)
Flange and Gasket Thickness	16.0 mm (0.63 in)
Net Weight	12.05 kg (26.57 lb)
Shipping Units	1
Shipping Weight	13.95 kg (30.75 lb)
Shipping Box	570x570x340 mm (22.44x22.44x13.39 in)

## SERVICE KIT

HF replacement diaphragm	MMDDCX464HF8
MF replacement diaphragm	MMDDCX464MF8

- Included by -6 dB down points.
- 2 hours test made with continuous pink noise signal within the range Fs-10Fs. Power calculated on rated minimum impedance. Loudspeaker in free air.
- Power on Continuous Program is defined as 3 dB greater than the Nominal rating.
- Applied RMS Voltage is set to 2.83V
- 2 hour test made with continuous pink noise signal within the range from the recommended crossover frequency to 20 kHz. Power calculated on rated minimum impedance.
- Power on Continuous Program is defined as 3 dB greater than the Nominal rating.
- Applied RMS Voltage is set to 2.83V
- 12 dB/oct. or higher slope high-pass filter.
- 2 hour test made with continuous pink noise signal within the range from the recommended crossover frequency to 20 kHz. Power calculated on rated minimum impedance.
- Power on Continuous Program is defined as 3 dB greater than the Nominal rating.
- Applied RMS Voltage is set to 2.83V
- 12 dB/oct. or higher slope high-pass filter.
- Thiele-Small parameters are measured after a high level 20 Hz sine wave preconditioning test.

**B&C Speakers s.p.a.**

Via Poggiomoro, 1 - Loc. Vallina, 50012 Bagno a Ripoli (FI) - ITALY - Tel. +39 055 65721 - Fax +39 055 6572312 - mail@bcspeakers.com