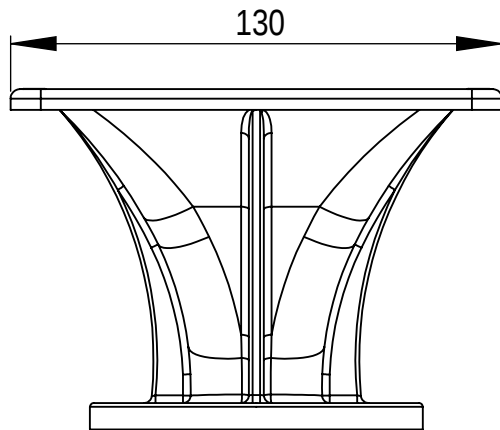
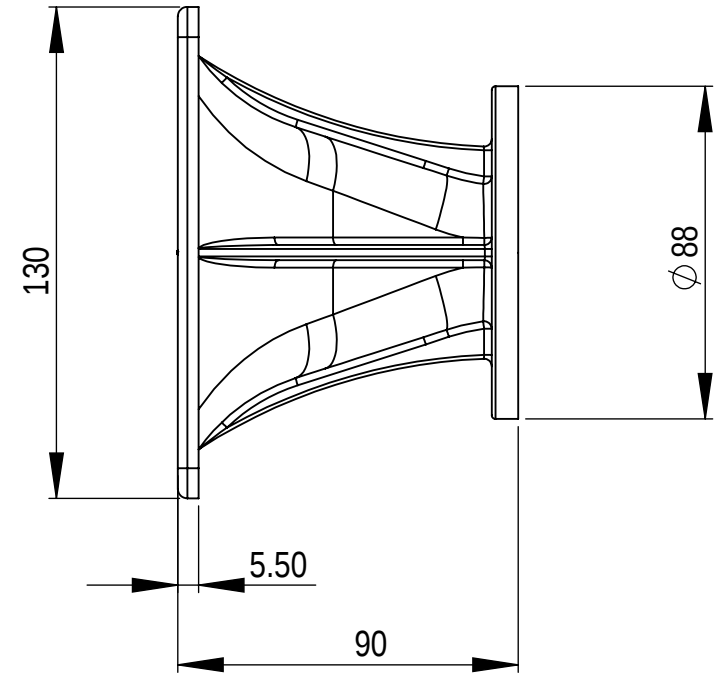
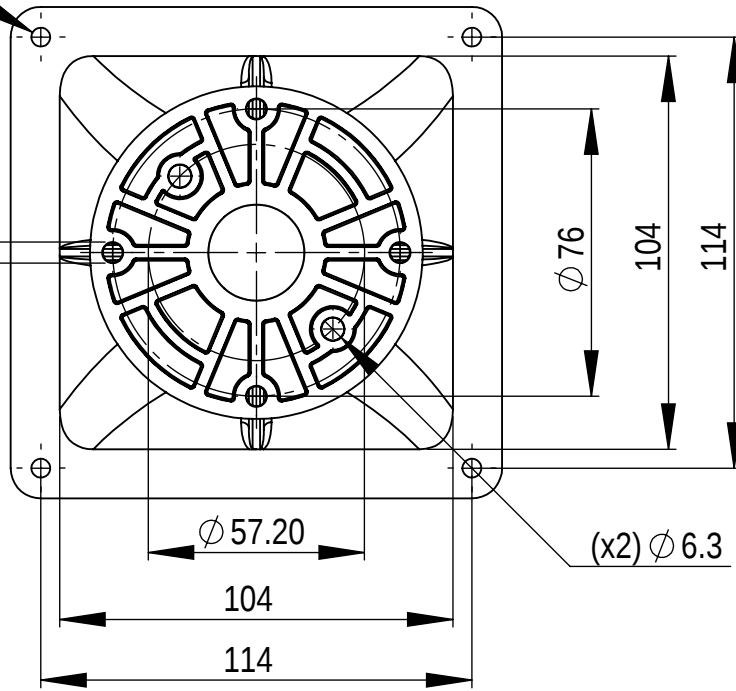


(x4)  $\phi 5$

(x4)  $\phi 5.5$



AcX" A9%\$j &

Ù&at KMG Öã ^}•q}•/Á { OE

