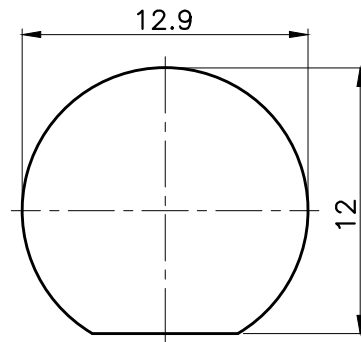
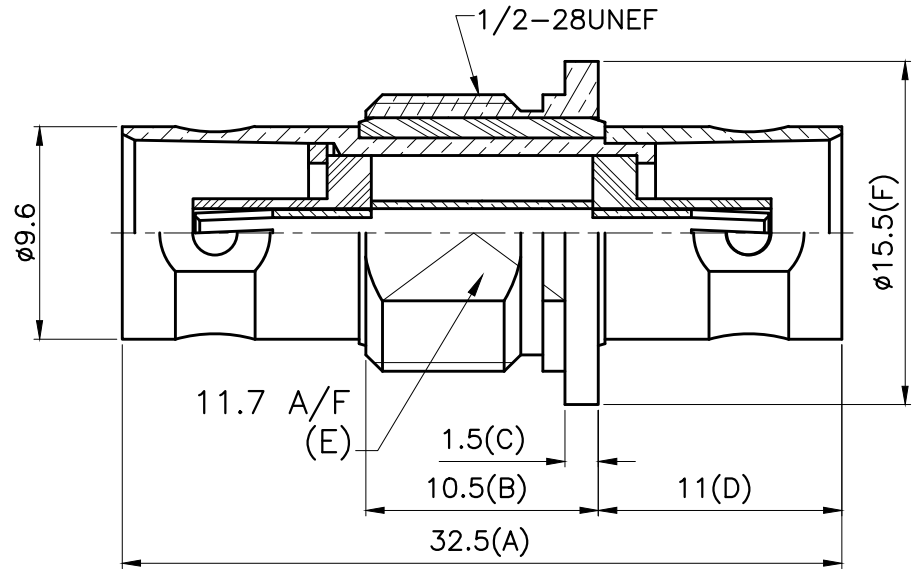
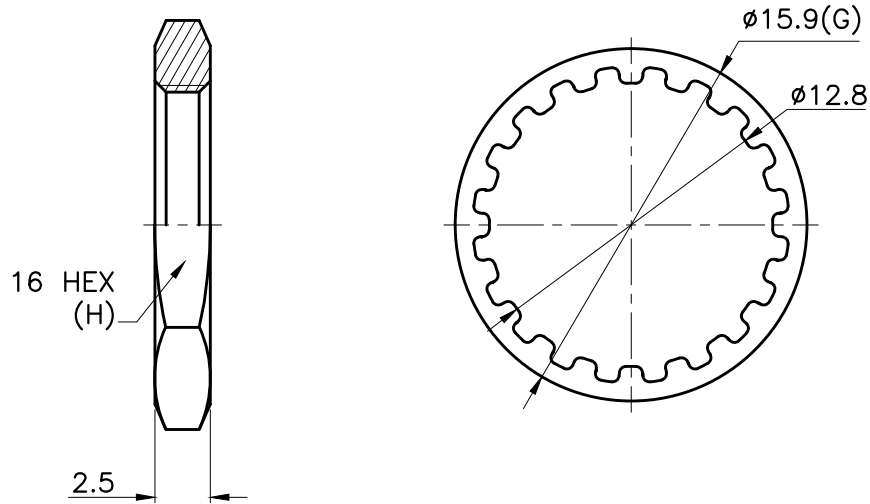


REVISIONS	
ISS	DESCRIPTION\DATE

RoHS COMPLIANT



PANEL CUTOUT



APRD:	UNLESS OTHERWISE SPECIFIED TOLERANCES 0.5-6 = ±0.2 >6-30 = ±0.4 >30-120 = ±0.6 >120-315 = ±1 >315-1000 = ±1.6 ANGLES = ±5°
CHKD:	
DR:	
DATE: 05/03/12"	UNIT: mm
SHEET: .	SCALE: 3/1

TITLE: BNC ISOLATED BULKHEAD FEMALE TO FEMALE ADAPTOR (75 ohm)

PART NO: BNC22
DR. NO: 20007-046(B016N005-75) | 029

NUT	BRASS	NICKEL
WASHER	STEEL	NICKEL
BODY	BRASS	NICKEL
INSULATOR	DELRIN	WHITE
BODY	BRASS	NICKEL
INSULATOR	DELRIN	WHITE
LOCK WASHER	BRASS	NICKEL
CONTACT PIN	BRASS	GOLD
INSULATOR	DELRIN	WHITE
BODY	BRASS	NICKEL
NO. DESCRIPTION	MATERIAL	FINISH