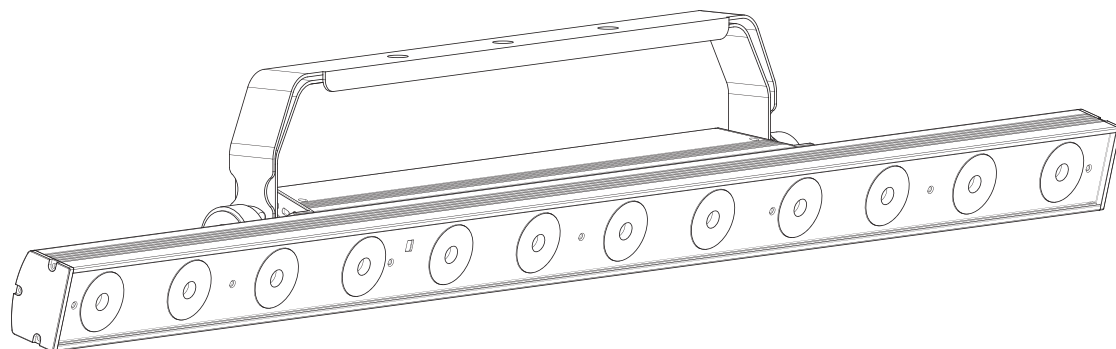


COLORband PiX ILS

Quick Reference Guide

English	EN
Español	ES
Français	FR
Deutsch	DE
Italiano	IT
Nederlands	NL



About This Guide

The COLORband PiX ILS Quick Reference Guide (QRG) has basic product information such as mounting, menu options, and DMX values.

Disclaimer

The information and specifications contained in this QRG are subject to change without notice.

LIMITED WARRANTY

FOR WARRANTY REGISTRATION AND COMPLETE TERMS AND CONDITIONS PLEASE VISIT OUR WEBSITE.

For Customers in the United States and Mexico: www.chauvetlighting.com/warranty-registration.

For Customers in the United Kingdom, Republic of Ireland, Belgium, the Netherlands, Luxembourg, France, and Germany: www.chauvetlighting.eu/warranty-registration.

Chauvet warrants that this product shall be free from defects in material and workmanship under normal use, for the period specified in, and subject to the exclusions and limitations set forth in the full limited warranty on our website. This warranty extends only to the original purchaser of the product and is not transferable. To exercise rights under this warranty, you must provide proof of purchase in the form of an original sales receipt from an authorized dealer that shows the product name and date of purchase. THERE ARE NO OTHER EXPRESS OR IMPLIED WARRANTIES. This warranty gives you specific legal rights. You may also have other rights that vary from state to state and country to country. This warranty is valid only in the United States, United Kingdom, Republic of Ireland, Belgium, the Netherlands, Luxembourg, France, Germany and Mexico. For warranty terms in other countries, please consult your local distributor.

Safety Notes

These Safety Notes include important information about installation, use, and maintenance.



- ONLY connect this product to a grounded and protected circuit.
- DISCONNECT from power before cleaning or replacing the fuse.
- DO NOT look at the light source when the product is on.
- Make sure the power cord is not crimped or damaged.
- Never disconnect this product from power by pulling on the cord.
- When mounting this product overhead, ALWAYS use a safety cable.
- DO NOT allow flammable materials close to the product when it is operating.
- DO NOT touch the product's housing when it is on because it will be hot.
- The voltage of the outlet to which you are connecting this product must be within the range stated on the decal or rear panel of the product.
- This product is for indoor use only! (IP20) To prevent risk of fire or shock, do not expose this product to rain or moisture.
- Always mount this product in a location with adequate ventilation, at least 20 in (50 cm) from adjacent surfaces.
- Be sure that no ventilation slots on the unit's housing are blocked.
- Never connect this product to a dimmer or rheostat.
- Replace the fuse with the same type and rating.
- Never carry the product by the power cord. Use only the hanging bracket or handle to carry this product.
- The maximum ambient temperature is 104 °F (40 °C). Do not operate this product at higher temperatures.
- In the event of a serious operating problem, stop using immediately.
- DO NOT open this product. It contains no user-serviceable parts.
- To eliminate unnecessary wear and improve its lifespan, during periods of non-use completely disconnect the product from power via breaker or by unplugging it.



Contact

Outside the U.S., U.K., Ireland, Benelux, France, Germany, or Mexico, contact your distributor to request support or return a product. Refer to [Contact Us](#) at the end of this QRG for contact information.

What is Included

- COLORband PiX ILS
- Power cord
- Hanging bracket
- Quick Reference Guide

To Begin

Unpack the COLORband PiX ILS and make sure all parts have been received in good condition. If the box or contents appear damaged, notify the carrier immediately, not Chauvet.

AC Power

This product has an auto-ranging power supply that works with an input voltage range of 100 to 240 VAC, 50/60 Hz.



To eliminate wear and improve its lifespan, during periods of non-use completely disconnect the product from power via breaker or by unplugging it.

Power Linking

It is possible to power link up to 19 COLORband PiX ILS products on 120 VAC or up to 35 COLORband PiX ILS products on 230 VAC.

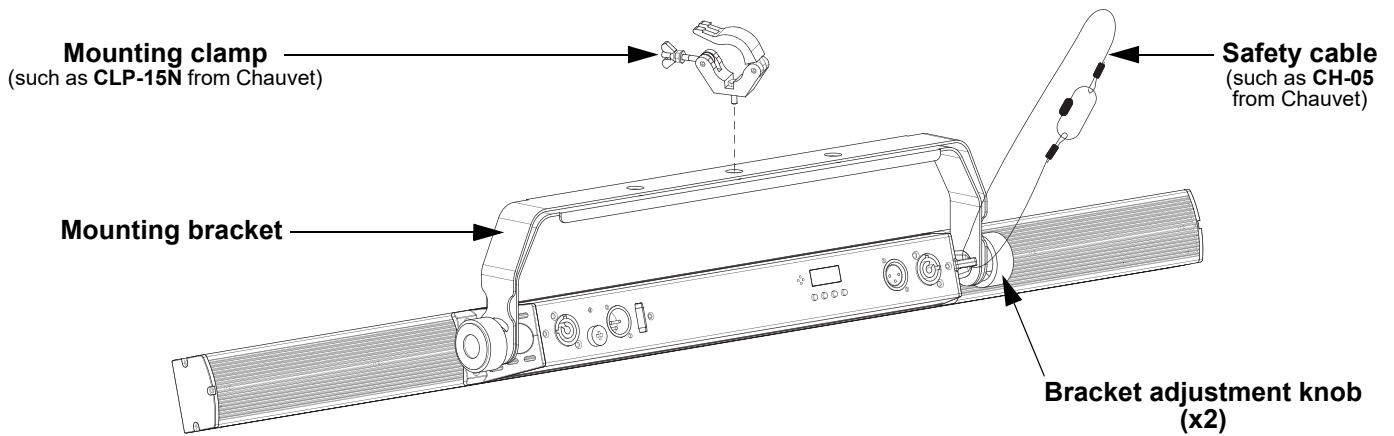
Fuse Replacement

1. Disconnect the product from power.
2. Using a Phillips-head screwdriver, unscrew the fuse holder and pull it straight out.
3. Remove the blown fuse from the holder and replace with a fuse of the exact same type and rating.
4. Re-insert the fuse holder and reconnect power.

Mounting

Before mounting this product, read the [Safety Notes](#).

Mounting Diagram



Control Panel Description

Button	Function
<MENU>	Exits from the current menu or function
<UP>	Navigates upwards through the menu list and increases the numeric value when in a function
<DOWN>	Navigates downwards through the menu list and decreases the numeric value when in a function
<ENTER>	Enables the currently displayed menu or sets the currently selected value into the selected function

Menu Map

Refer to the COLORband PiX ILS product page on www.chauvetdj.com for the latest menu map.

Mode	Programming Levels		Description	
DMX Mode	3-Ch	d 1–510	3-channel, 1-zone DMX mode	
	4-Ch	d 1–509	4-channel, 1-zone DMX mode	
	6-Ch	d 1–507	6-channel, 2-zone DMX mode	
	7-Ch	d 1–506	7-channel, 1-zone DMX mode	
	8-Ch	d 1–505	8-channel, 1-zone DMX mode	
	9-Ch	d 1–504	9-channel, 3-zone DMX mode	
	12Ch	d 1–501	12-channel, 4-zone DMX mode	
	18Ch	d 1–495	18-channel, 6-zone DMX mode	
	36Ch	d 1–477	36-channel, 12-zone DMX mode	
	41Ch	d 1–472	41-channel, 12-zone DMX mode	
ILS Mode	iLS	iLS1–4	Sets ILS mode	
Static Color	C--	C 1–7	Static colors	
Programs	P--	P 1–23	Automatic programs	
Speed	S--	S. 1–100	Automatic program speed	
Sound Mode	Snd	Snd	Sound-active program	
Sensitivity	SenS	u 0–100	Sound sensitivity	
Manual Mode	U--	r. 0–255	Combine red, green, and blue for a custom static color	
		G. 0–255		
		b. 0–255		
Dimmer Speed	dIM	oFF	Sets the dimmer speed	
		dIM1–3		
RF Control	SEt	RF	oFF	Disables RFC remote control
			Link	Link to a single remote by pressing and holding <freeze>, (RFC) or <BLACK OUT> (RFC-XL) until the display shows PASS (success) or ErrO (failure)
			PubL	Public mode, control with any RFC or RFC-XL remote
			GP1–4	Sets to an RFC-XL remote receiving group
		REST	Reset to factory default settings	

DMX Linking

The COLORband PiX ILS can work with a DMX controller. If you are not familiar with DMX, download the DMX Primer from www.chauvetdj.com.

Starting Address

To ensure full access to all channels available in each DMX mode, the highest recommended DMX address is **472**.

Master/Slave Connection

The COLORband PiX ILS uses the DMX data connection for its Master/Slave mode.

RFC (Radio Frequency Control) and RFC-XL

The COLORband PiX ILS can be operated with the CHAUVET RFC and RFC-XL.

D-Fi USB Connectivity

The COLORband PiX ILS is able to become a D-Fi wireless receiver/transmitter with the use of the D-Fi USB from CHAUVET DJ. Simply set the DIP switch D-Fi receiving/transmitting channel, plug it into the USB port then set the product's DMX Personality and DMX Address.



WARNING! DO NOT plug anything other than a D-Fi USB into the USB port. Doing so may cause damage to the product.



Once plugged in, the D-Fi USB will take over the product. Wired DMX and manual display control/menu buttons will be unavailable until you unplug the D-Fi USB. The priority levels are:

1. D-Fi USB
2. Wired DMX
3. IRC-6 Remote Control
4. Manual Digital Display/Menu Buttons

Master/Slave Mode (D-Fi USB)

The D-Fi USB allows a single COLORband PiX ILS product (the “master”) to control the actions of one or more COLORband PiX ILS products (the “slaves”) without the need of a DMX controller or DMX cables. The master (transmitter) product will be set to operate in standalone mode, while the slave (receiver) products will be set to operate in DMX mode. Once set and connected, the slave products will operate in unison with the master product.

Configure the products as indicated below.

Slave products:

1. Press **<MENU>** repeatedly until **9-Ch** shows on the display.
2. Press **<ENTER>**.
3. Use **<UP>** or **<DOWN>** to set the starting address to **d 1**.
4. Press **<ENTER>**.
5. Set the D-Fi USB to receive on a specific channel, 1–16.
6. Plug in the D-Fi USB.
7. Finish setting and connecting all the slave products.

Master product:

1. Set the master product to operate in standalone mode.
2. Set the D-Fi USB to transmit on the D-Fi channel the slaves are receiving on.
3. Plug in the D-Fi USB.



- **All products must be set to the same DMX personality, DMX address, and D-Fi channel.**
- **Configure all the slave products before configuring the master to transmit.**
- **Never connect a DMX controller to a D-Fi channel configured for Master/Slave operation because the controller may interfere with the signals from the master.**

ILS Mode

ILS (Integrated Lighting System) provides 4 modes that synchronize with the GigBAR MOVE+ILS: Modes 1 and 3 synchronize with side 1 of the GigBAR MOVE+ILS, whereas modes 2 and 4 synchronize with side 2 of the GigBAR MOVE+ILS. When linked, effects will sync with the most similar effect on the selected side of the GigBAR MOVE+ILS: Kinta effects will sync with one of the kintas, moving heads will sync with one of the moving heads, and wash effects will sync with one of the pars. Laser effects will sync with the laser, and strobe effects will sync with the strobe effects regardless of ILS mode.

This product will synchronize with the par effect on the selected side of the GigBAR MOVE+ILS.

To set the COLORband PiX ILS to respond to an ILS signal:

1. Press **<MENU>** repeatedly until **iLS_** shows on the display.
2. Use **<UP>** or **<DOWN>** to select from **iLS1** (side 1), **iLS2** (side 2), **iLS3** (side 1), or **iLS4** (side 2).
3. Press **<ENTER>**

DMX Values

	3-Ch	4-Ch	6-Ch	7-Ch	8-Ch	9-Ch	12Ch	18Ch	36Ch	41Ch
Control	Pixel	Full	Pixel	Full	Full	Pixel	Pixel	Pixel	Pixel	Full
Zones	1	1	2	1	1	3	4	6	12	12

Full Control Modes

4-Ch	7-Ch	8-Ch	41Ch	Function	Value	Percent/Setting
1	1	1	1	Red 1	Zone 1	000 ⇔ 255 0-100%
2	2	2	2	Green 1		000 ⇔ 255 0-100%
3	3	3	3	Blue 1		000 ⇔ 255 0-100%
-	-	-	4	Red 2	Zone 2	000 ⇔ 255 0-100%
			5	Green 2		000 ⇔ 255 0-100%
			6	Blue 2		000 ⇔ 255 0-100%
			7	Red 3	Zone 3	000 ⇔ 255 0-100%
			8	Green 3		000 ⇔ 255 0-100%
			9	Blue 3		000 ⇔ 255 0-100%
			10	Red 4	Zone 4	000 ⇔ 255 0-100%
			11	Green 4		000 ⇔ 255 0-100%
			12	Blue 4		000 ⇔ 255 0-100%
			13	Red 5	Zone 5	000 ⇔ 255 0-100%
			14	Green 5		000 ⇔ 255 0-100%
			15	Blue 5		000 ⇔ 255 0-100%
			16	Red 6	Zone 6	000 ⇔ 255 0-100%
			17	Green 6		000 ⇔ 255 0-100%
			18	Blue 6		000 ⇔ 255 0-100%
			19	Red 7	Zone 7	000 ⇔ 255 0-100%
			20	Green 7		000 ⇔ 255 0-100%
			21	Blue 7		000 ⇔ 255 0-100%
			22	Red 8	Zone 8	000 ⇔ 255 0-100%
			23	Green 8		000 ⇔ 255 0-100%
			24	Blue 8		000 ⇔ 255 0-100%
			25	Red 9	Zone 9	000 ⇔ 255 0-100%
			26	Green 9		000 ⇔ 255 0-100%
			27	Blue 9		000 ⇔ 255 0-100%
28	Red 10	Zone 10	000 ⇔ 255 0-100%			
29	Green 10		000 ⇔ 255 0-100%			
30	Blue 10		000 ⇔ 255 0-100%			
-	-	-	31	Red 11	Zone 11	000 ⇔ 255 0-100%
			32	Green 11		000 ⇔ 255 0-100%
			33	Blue 11		000 ⇔ 255 0-100%
			34	Red 12	Zone 12	000 ⇔ 255 0-100%
			35	Green 12		000 ⇔ 255 0-100%
			36	Blue 12		000 ⇔ 255 0-100%
-	4	4	37	Color macros	000 ⇔ 014	No function
					015 ⇔ 255	Color macros

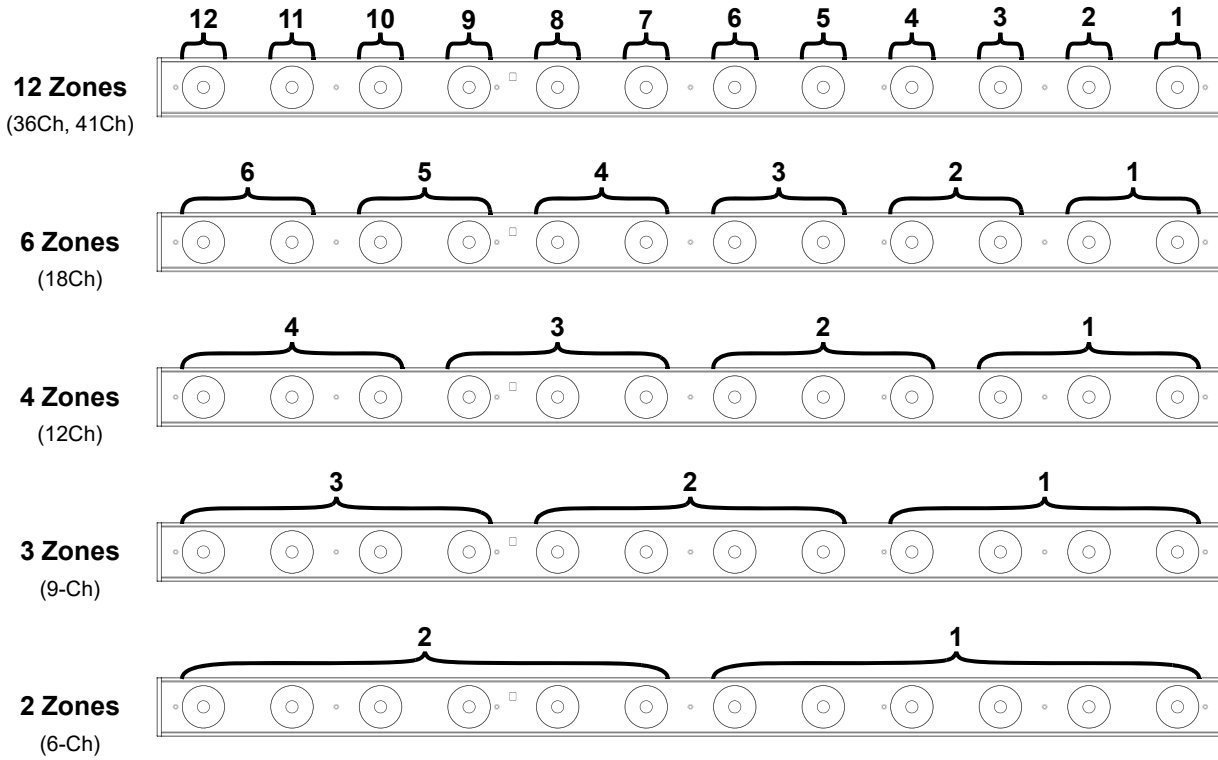
4-Ch	7-Ch	8-Ch	41Ch	Function	Value	Percent/Setting
-	5	5	38	Strobe (when Ch. 6/39 is 000 ⇔ 031)	000 ⇔ 015	No function
					016 ⇔ 255	Strobe, slow to fast
				Program speed (when Ch. 6/39 is 032 ⇔ 223/229)	000 ⇔ 255	Program speed, slow to fast
					Sound sensitivity (when Ch. 6/39 is 224/230 ⇔ 255)	000 ⇔ 010
				011 ⇔ 255		Sound sensitivity, low to high
-	-	6	39	Program	000 ⇔ 031	No function
					032 ⇔ 063	Pulse effect, 0-100%
					064 ⇔ 095	Pulse effect, 100-0%
					096 ⇔ 114	Pulse effect, 100-0-100%
					115 ⇔ 119	Automatic program 1
					120 ⇔ 124	Automatic program 2
					125 ⇔ 129	Automatic program 3
					130 ⇔ 134	Automatic program 4
					135 ⇔ 139	Automatic program 5
					140 ⇔ 144	Automatic program 6
					145 ⇔ 149	Automatic program 7
					150 ⇔ 154	Automatic program 8
					155 ⇔ 159	Automatic program 9
					160 ⇔ 164	Automatic program 10
					165 ⇔ 169	Automatic program 11
					170 ⇔ 174	Automatic program 12
					175 ⇔ 179	Automatic program 13
					180 ⇔ 184	Automatic program 14
					185 ⇔ 189	Automatic program 15
					190 ⇔ 194	Automatic program 16
					195 ⇔ 199	Automatic program 17
					200 ⇔ 204	Automatic program 18
					205 ⇔ 209	Automatic program 19
210 ⇔ 214	Automatic program 20					
215 ⇔ 219	Automatic program 21					
220 ⇔ 224	Automatic program 22					
225 ⇔ 229	Automatic program 23					
230 ⇔ 255	Sound-active program					
-	6	-	-	Program	000 ⇔ 031	No function
					032 ⇔ 063	Pulse effect, 0-100%
					064 ⇔ 095	Pulse effect, 100-0%
					096 ⇔ 114	Pulse effect, 100-0-100%
					115 ⇔ 127	Automatic chase
					128 ⇔ 159	Automatic fade
					160 ⇔ 191	Automatic 3-color snap
					192 ⇔ 223	Automatic 7-color snap
224 ⇔ 255	Sound-active program					
4	7	7	40	Dimmer	000 ⇔ 255	0–100%

4-Ch	7-Ch	8-Ch	41Ch	Function	Value	Percent/Setting
-	-	8	41	Dimmer speed	000 ⇔ 051	Dimmer speed set from display menu
					052 ⇔ 101	Dimmer speed mode off
					102 ⇔ 152	Dimmer speed mode 1 (fast)
					153 ⇔ 203	Dimmer speed mode 2 (medium)
					204 ⇔ 255	Dimmer speed mode 3 (slow)

Pixel Control Modes

3-Ch	6-Ch	9-Ch	12Ch	18Ch	36Ch	Function	Value	Percent/Setting
1	1	1	1	1	1	Red 1	000 ⇔ 255	0-100%
2	2	2	2	2	2	Green 1		
3	3	3	3	3	3	Blue 1		
	4	4	4	4	4	Red 2	000 ⇔ 255	0-100%
	5	5	5	5	5	Green 2		
	6	6	6	6	6	Blue 2		
		7	7	7	7	Red 3	000 ⇔ 255	0-100%
		8	8	8	8	Green 3		
		9	9	9	9	Blue 3		
			10	10	10	Red 4	000 ⇔ 255	0-100%
			11	11	11	Green 4		
			12	12	12	Blue 4		
				13	13	Red 5	000 ⇔ 255	0-100%
				14	14	Green 5		
				15	15	Blue 5		
				16	16	Red 6	000 ⇔ 255	0-100%
				17	17	Green 6		
				18	18	Blue 6		
					19	Red 7	000 ⇔ 255	0-100%
					20	Green 7		
					21	Blue 7		
					22	Red 8	000 ⇔ 255	0-100%
					23	Green 8		
					24	Blue 8		
					25	Red 9	000 ⇔ 255	0-100%
					26	Green 9		
					27	Blue 9		
					28	Red 10	000 ⇔ 255	0-100%
					29	Green 10		
					30	Blue 10		
					31	Red 11	000 ⇔ 255	0-100%
					32	Green 11		
					33	Blue 11		
					34	Red 12	000 ⇔ 255	0-100%
					35	Green 12		
					36	Blue 12		

Zones for DMX Control



Acerca de esta guía

La Guía de referencia rápida (GRR) del COLORband PiX ILS contiene información básica sobre el producto, como montaje, opciones de menú y valores DMX.

Exención de responsabilidad

La información y especificaciones contenidas en esta GRR están sujetas a cambio sin previo aviso.

GARANTÍA LIMITADA

PARA VER EL REGISTRO DE GARANTÍA Y LOS TÉRMINOS Y CONDICIONES COMPLETOS, VISITE NUESTRO SITIO WEB.

Para clientes en los Estados Unidos y México: www.chauvetlighting.com/warranty-registration.

Para clientes en Reino Unido, República de Irlanda, Bélgica, Países Bajos, Luxemburgo, Francia y Alemania: www.chauvetlighting.eu/warranty-registration.

Chauvet garantiza que este producto estará libre de defectos de material y mano de obra en condiciones de uso normales, durante el periodo especificado, sujeto siempre a las exclusiones y limitaciones establecidas en la garantía limitada completa de nuestro sitio web. Esta garantía se concede únicamente al comprador original del producto y no es transferible. Para ejercer los derechos que otorga esta garantía, usted debe proporcionar una prueba de compra en forma de un recibo de compra original, expedido por un distribuidor autorizado, donde figure el nombre del producto y la fecha de compra. **NO EXISTEN OTRAS GARANTÍAS EXPRESAS NI IMPLÍCITAS.** Esta garantía le otorga derechos legales específicos. Es posible que a usted le asistan otros derechos, que variarán dependiendo del estado o del país. Esta garantía solamente es válida en los Estados Unidos, Reino Unido, República de Irlanda, Bélgica, Países Bajos, Luxemburgo, Francia, Alemania y México. Para conocer los términos de garantía en otros países, consulte a su distribuidor local.

Notas de seguridad

Estas notas de seguridad incluyen información importante sobre el montaje, uso y mantenimiento.



- Conecte este producto SOLO a un circuito con toma de tierra y protegido.
- Desconecte siempre de la alimentación antes de la limpieza o sustitución del fusible.
- NO mire a la fuente de luz cuando el producto esté encendido.
- Asegúrese de que el cable de alimentación no está retorcido ni estropeado.
- Nunca desconecte este producto de la alimentación tirando del cable.
- Cuando monte este producto en alto, use un cable de seguridad.
- NO permita la presencia de materiales inflamables cerca de la unidad cuando esté en funcionamiento.
- NO toque este producto cuando esté en funcionamiento, pues podría estar caliente.
- La tensión del enchufe al que conecte este producto ha de estar en el rango establecido en el grabado o en el panel posterior del producto.
- ¡Este producto es para uso en interiores solamente! (IP20) Para evitar riesgos de incendio o descarga, no exponga este producto a la lluvia o la humedad.
- Monte siempre este producto en una ubicación con ventilación adecuada, al menos a 20 in (50 cm) de superficies adyacentes.
- Asegúrese de que ninguna ranura de ventilación en la carcasa de la unidad queda bloqueada.
- Nunca conecte este producto a un atenuador o reostato.
- Sustituya el fusible con uno del mismo tipo y categoría.
- Use SOLAMENTE los soportes de colgar/montar o el listón para mover este producto.
- La temperatura ambiente máxima es de 104 °F (40 °C). No haga funcionar este producto a temperaturas más altas.
- En caso de un problema grave de funcionamiento, deje de usarlo inmediatamente.
- NO abra este producto. No contiene piezas reparables por el usuario.
- Para evitar un desgaste innecesario y alargar su vida útil, desconecte completamente el producto mediante el interruptor o desenchufándolo durante periodos en que no se use.



Contacto

Fuera de EE. UU., Reino Unido, Irlanda, Benelux, Francia, Alemania o México póngase en contacto con su distribuidor para solicitar asistencia o devolver un producto. Consulte [Contact Us](#) al final de este GRR para información de contacto.

Qué va incluido

- COLORband PiX ILS
- Cable de alimentación
- Soporte de montaje
- Guía de referencia rápida

Para empezar

Desembale su COLORband PiX ILS y asegúrese de que ha recibido todas las partes en buen estado. Si la caja o los componentes parecen dañados, notifíquese lo inmediatamente al transportista, no a Chauvet.

Corriente alterna

Este producto tiene una fuente de alimentación con detección automática que puede funcionar con un rango de tensión de entrada de 100–240 VCA, 50/60 Hz.



Para evitar un desgaste innecesario y alargar su vida útil, desconecte completamente el producto mediante el interruptor o desenchufándolo durante periodos en que no se use.

Alimentación en cadena

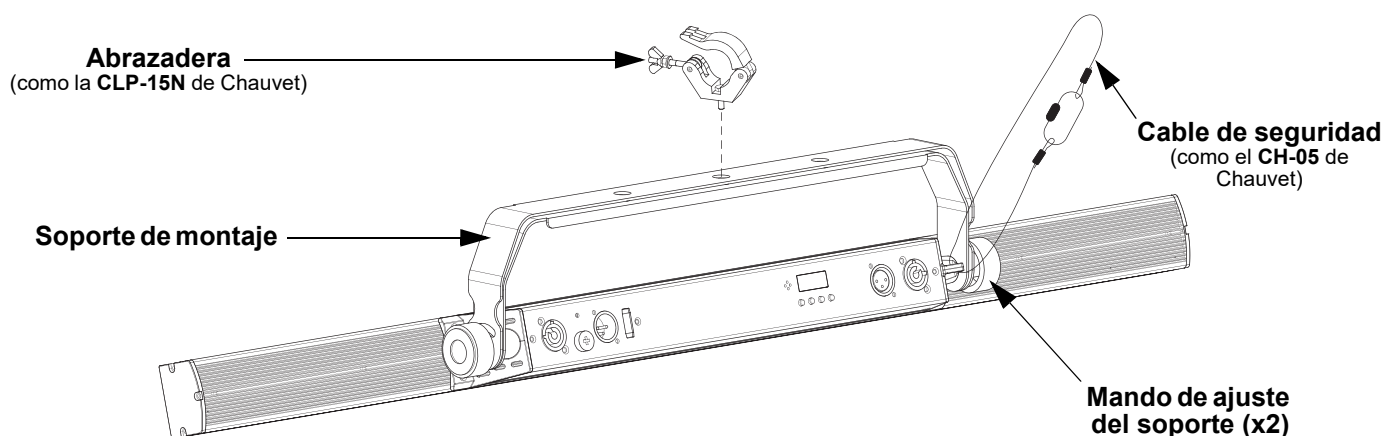
Es posible enlazar hasta 19 productos COLORband PiX ILS a 120 V o hasta 35 productos COLORband PiX ILS a 230 V.

Sustitución del fusible

1. Desconecte el producto de la alimentación.
2. Con ayuda de un destornillador Phillips, desatornille el portafusibles y extráigalo directamente.
3. Quite el fusible fundido del portafusibles y sustituya el fusible con otro del mismo tipo y categoría.
4. Vuelva a insertar el portafusibles y conecte de nuevo la alimentación.

Montaje

Antes de montar este producto, lea las [Notas de seguridad](#).

Diagrama de montaje

Descripción del panel de control

Botón	Función
<MENU>	Sale del menú o función actual
<UP>	Navega hacia arriba por la lista de menú y aumenta el valor numérico cuando está en una función
<DOWN>	Navega hacia abajo por la lista de menú y disminuye el valor numérico cuando está en una función
<ENTER>	Habilita el menú actualmente en pantalla o configura el valor seleccionado actualmente dentro de la función seleccionada

Mapa de menú

Consulte la página del producto COLORband PiX ILS en www.chauvetdj.com para ver el último mapa de menú.

Modo	Niveles de programación		Descripción	
Modo DMX	3-Ch	d 1-510	Modo DMX de 3 canales y 1 zona	
	4-Ch	d 1-509	Modo DMX de 4 canales y 1-zona	
	6-Ch	d 1-507	Modo DMX de 6 canales y 2-zonas	
	7-Ch	d 1-506	Modo DMX de 7 canales y 1-zona	
	8-Ch	d 1-505	Modo DMX de 8 canales y 1-zona	
	9-Ch	d 1-504	Modo DMX de 9 canales y 3-zonas	
	12Ch	d 1-501	Modo DMX de 12 canales y 4-zonas	
	18Ch	d 1-495	Modo DMX de 18 canales y 6-zonas	
	36Ch	d 1-477	Modo DMX de 36 canales y 12-zonas	
41Ch	d 1-472	Modo DMX de 41 canales y 12-zonas		
Modo ILS	iLS	iLS1-4	Establece el modo ILS	
Colores	C--	C 1-7	Colores estáticos	
Programas	P--	P 1-23	Programas automáticos	
Velocidad	S--	S. 1-100	Velocidad de programas automáticos	
Modo Sonido	Snd	Snd	Programa activa por sonido	
Sensibilidad	SenS	u 0-100	Sensibilidad al sonido	
Modo Manual	U--	r. 0-255	Combina rojo, verde, y azul para un color estático personalizado	
		G. 0-255		
		b. 0-255		
Velocidad de atenuador	DIM	oFF	Establece el velocidad de atenuador	
		DIM1-3		
Control RF	SEt	RF	oFF	Desactiva el control RFC
			Link	Enlazar a un solo mando a distancia manteniendo pulsado <freeze>, (RFC) o <BLACK OUT> (RFC-XL) hasta que en la pantalla aparezca PASS (correcto) o ErrO (fallo)
			PubL	Modo público, control con cualquier mando a distancia RFC o RFC-XL
			GP1-4	Configura para un grupo receptor de mando a distancia RFC-XL
		REST	Reinicia a la configuración de fábrica	

Enlace DMX

El COLORband PiX ILS puede funcionar con un controlador DMX cuando se enlaza por conexiones serie DMX. Si no está familiarizado con DMX, descargue el Manual DMX de www.chauvetdj.com.

Dirección de inicio

Para asegurarse acceso total a todos los canales en cada modo DMX, la dirección DMX más recomendable es **472**.

Conexión Maestro/Esclavo

El COLORband PiX ILS usa la conexión de datos DMX para su modo Maestro/Esclavo.

RFC (control por radiofrecuencia) y RFC-XL

El COLORband PiX ILS funciona con CHAUVET RFC y RFC-XL.

Conectividad D-Fi USB

El COLORband PiX ILS tiene la capacidad de convertirse en un receptor/transmisor D-Fi inalámbrico utilizando el D-Fi USB de CHAUVET DJ. Simplemente configure el conmutador DIP para el canal de recepción/transmisión del D-Fi, enchúfelo en el puerto USB y luego configure la personalidad DMX del producto y la dirección DMX.



¡ADVERTENCIA! NO enchufe nada que no sea un D-Fi USB en el puerto USB. Si lo hace, podría producir daños al producto.



Una vez conectado, el D-Fi USB tomará el control del producto. El DMX por cable, el control de pantalla manual/botones de menú y el IRC-6 no estarán disponibles hasta que desconecte el D-Fi USB. Los niveles de prioridad son:

1. D-Fi USB
2. DMX por cable
3. Mando a distancia IRC-6
4. Control de pantalla manual/botones de menú

Modo maestro/esclavo (D-Fi USB)


El D-Fi USB permite que un solo producto COLORband PiX ILS (el «maestro»), controle las acciones de uno o más productos COLORband PiX ILS (los «esclavos») sin necesidad de un controlador DMX ni de cables DMX. El maestro (transmisor) se configurará para funcionar en modo independiente, mientras que los productos esclavo (receptor) se configurarán para funcionar en modo esclavo. Una vez configurados y conectados, los productos esclavo funcionarán al unísono con el producto maestro.

Configure los productos como se indica a continuación.

Productos esclavo:

1. Pulse **<MENU>** repetidamente hasta que aparezca **9-Ch** en la pantalla.
2. Pulse **<ENTER>**.
3. Utilice **<UP>** o **<DOWN>** para configurar la dirección de inicio a **d 1**.
4. Pulse **<ENTER>**.
5. Configure el D-Fi USB para recibir en un canal específico, 1–16.
6. Conecte el D-Fi USB.
7. Termine de configurar y conectar todos los productos esclavo.

Producto maestro:

1. Configure el producto maestro para que funcione en modo Independiente.
 2. Configure el D-Fi USB para transmitir en el canal D-Fi en el que estén recibiendo los esclavos.
 3. Conecte el D-Fi USB.
 - **Todos los productos deben configurarse con la misma personalidad DMX, dirección DMX y canal D-Fi.**
-  • **Configure todos los productos esclavo antes de configurar al maestro para transmitir.**
- **Nunca conecte un controlador DMX a un canal D-Fi configurado para funcionamiento maestro/esclavo, porque el controlador puede interferir con las señales del maestro.**

Modo ILS

El ILS (Integrated Lighting System) dispone de 4 modos que se sincronizan con el GigBAR MOVE+ILS: los modos 1 y 3 se sincronizan con el lado 1 del GigBAR MOVE+ILS, mientras que los modos 2 y 4 se sincronizan con el lado 2 del GigBAR MOVE+ILS. Cuando estén vinculados, los efectos se sincronizarán con el efecto más parecido del lado seleccionado del GigBAR MOVE+ILS: los efectos de Kinta se sincronizarán con uno de los Kintas, las cabezas móviles se sincronizarán con una de las cabezas móviles y los efectos de baño de luz se sincronizarán con uno de los reflectores. Los efectos láser se sincronizarán con el láser y los efectos de estroboscopia se sincronizarán con los efectos de estroboscopia, independientemente del modo del ILS.

Este producto se sincronizará con el par en el lado seleccionado del GigBAR MOVE+ILS.

Para configurar el COLORband PiX ILS para responder a una señal ILS:

1. Pulse **<MENU>** repetidamente hasta que aparezca **iLS_** en la pantalla.
2. Utilice **<UP>** o **<DOWN>** para seleccionar entre **iLS1** (lado 1), **iLS2** (lado 2), **iLS3** (lado 1), o **iLS4** (lado 2).
3. Pulse **<ENTER>**.

Valores DMX

	3-Ch	4-Ch	6-Ch	7-Ch	8-Ch	9-Ch	12Ch	18Ch	36Ch	41Ch
Control	Píxel	Completo	Píxel	Completo	Completo	Píxel	Píxel	Píxel	Píxel	Completo
Zonas	1	1	2	1	1	3	4	6	12	12

Modos de control completo

4-Ch	7-Ch	8-Ch	41Ch	Función	Valor	Porcentaje/Configuración			
1	1	1	1	Rojo 1	000 ⇔ 255	0-100%			
2	2	2	2	Verde 1					
3	3	3	3	Azul 1					
-	-	-	4	Rojo 2	000 ⇔ 255	0-100%			
			5	Verde 2					
			6	Azul 2					
			-	-	-	7	Rojo 3	000 ⇔ 255	0-100%
						8	Verde 3		
						9	Azul 3		
			-	-	-	10	Rojo 4	000 ⇔ 255	0-100%
						11	Verde 4		
						12	Azul 4		
			-	-	-	13	Rojo 5	000 ⇔ 255	0-100%
						14	Verde 5		
						15	Azul 5		
-	-	-	16	Rojo 6	000 ⇔ 255	0-100%			
			17	Verde 6					
			18	Azul 6					
-	-	-	19	Rojo 7	000 ⇔ 255	0-100%			
			20	Verde 7					
			21	Azul 7					
-	-	-	22	Rojo 8	000 ⇔ 255	0-100%			
			23	Verde 8					
			24	Azul 8					
-	-	-	25	Rojo 9	000 ⇔ 255	0-100%			
			26	Verde 9					
			27	Azul 9					
-	-	-	28	Rojo 10	000 ⇔ 255	0-100%			
			29	Verde 10					
			30	Azul 10					
-	-	-	31	Rojo 11	000 ⇔ 255	0-100%			
			32	Verde 11					
			33	Azul 11					
-	-	-	34	Rojo 12	000 ⇔ 255	0-100%			
			35	Verde 12					
			36	Azul 12					
-	4	4	37	Macros de color	000 ⇔ 014	Sin función			
					015 ⇔ 255	Color macros			

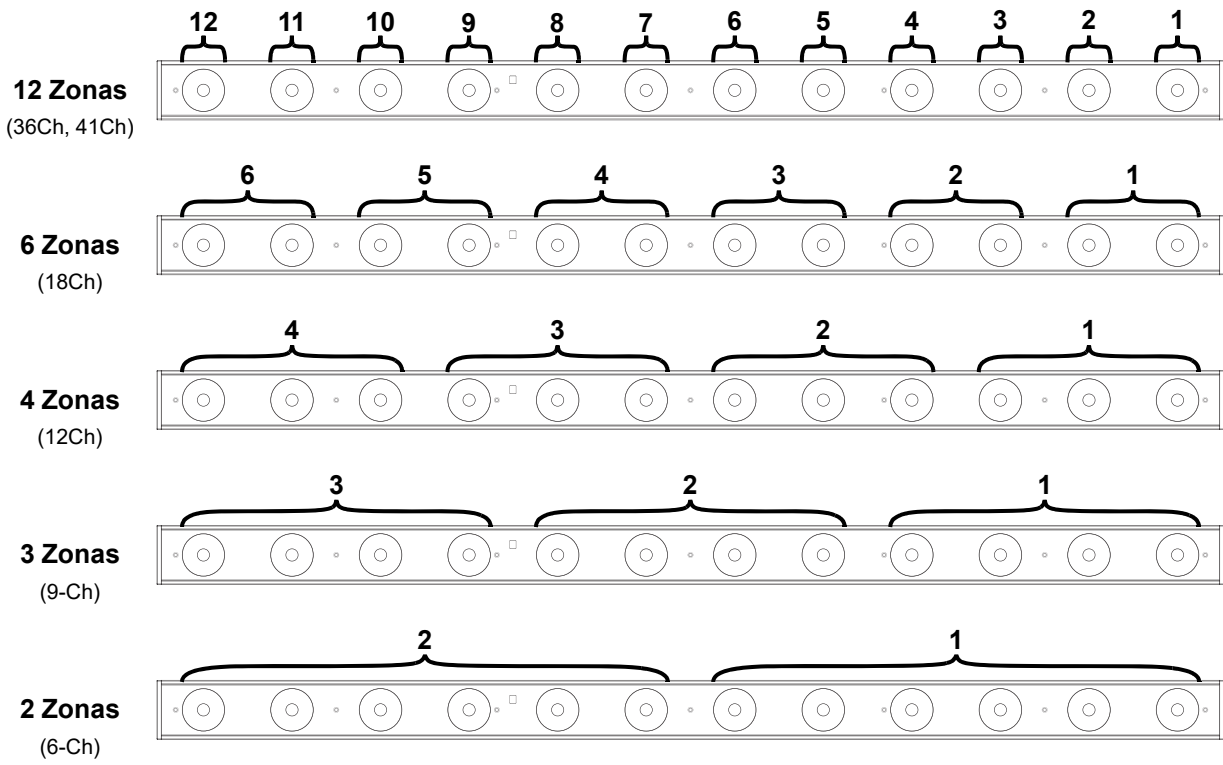
4-Ch	7-Ch	8-Ch	41Ch	Función	Valor	Porcentaje/Configuración
-	5	5	38	Estroboscopio (cuando C. 6/39 está 000 ⇔ 031)	000 ⇔ 015	Sin función
					016 ⇔ 255	Estroboscopio, lenta a rápida
				Velocidad de programa (cuando C. 6/39 está 032 ⇔ 223/229)	000 ⇔ 255	Velocidad de programa, lenta a rápida
				Sensibilidad al sonido (cuando C. 6/39 está 224/230 ⇔ 255)	000 ⇔ 010	Sensibilidad al sonido apagado
-	-	6	39	Programa	011 ⇔ 255	Sensibilidad, bajo a alto
					000 ⇔ 031	Sin función
					032 ⇔ 063	Efecto pulso, 0-100%
					064 ⇔ 095	Efecto pulso, 100-0%
					096 ⇔ 114	Efecto pulso, 100-0-100%
					115 ⇔ 119	Programa automático 1
					120 ⇔ 124	Programa automático 2
					125 ⇔ 129	Programa automático 3
					130 ⇔ 134	Programa automático 4
					135 ⇔ 139	Programa automático 5
					140 ⇔ 144	Programa automático 6
					145 ⇔ 149	Programa automático 7
					150 ⇔ 154	Programa automático 8
					155 ⇔ 159	Programa automático 9
					160 ⇔ 164	Programa automático 10
					165 ⇔ 169	Programa automático 11
					170 ⇔ 174	Programa automático 12
					175 ⇔ 179	Programa automático 13
					180 ⇔ 184	Programa automático 14
					185 ⇔ 189	Programa automático 15
					190 ⇔ 194	Programa automático 16
					195 ⇔ 199	Programa automático 17
					200 ⇔ 204	Programa automático 18
205 ⇔ 209	Programa automático 19					
210 ⇔ 214	Programa automático 20					
215 ⇔ 219	Programa automático 21					
220 ⇔ 224	Programa automático 22					
225 ⇔ 229	Programa automático 23					
230 ⇔ 255	Programa activa por sonido					
-	6	-	-	Programa	000 ⇔ 031	Sin función
					032 ⇔ 063	Efecto pulso, 0-100%
					064 ⇔ 095	Efecto pulso, 100-0%
					096 ⇔ 114	Efecto pulso, 100-0-100%
					115 ⇔ 127	Secuencia automática
					128 ⇔ 159	Fundido automático
					160 ⇔ 191	Cambio automático de 3 colores
					192 ⇔ 223	Cambio automático de 7 colores
224 ⇔ 255	Programa activo por sonido					
4	7	7	40	Atenuador	000 ⇔ 255	0-100%

4-Ch	7-Ch	8-Ch	41Ch	Función	Valor	Porcentaje/Configuración
-	-	8	41	Velocidad de atenuador	000 ⇔ 051	Ajuste la velocidad del atenuador desde la pantalla
					052 ⇔ 101	Modo velocidad del atenuador apagado
					102 ⇔ 152	Modo velocidad del atenuador (rápida)
					153 ⇔ 203	Modo velocidad del atenuador 2 (intermedia)
					204 ⇔ 255	Modo velocidad del atenuador 3 (lenta)

Modos de control píxel

3-Ch	6-Ch	9-Ch	12Ch	18Ch	36Ch	Función	Valor	Porcentaje/Configuración
1	1	1	1	1	1	Rojo 1	000 ⇔ 255	0-100%
2	2	2	2	2	2	Verde 1		
3	3	3	3	3	3	Azul 1		
	4	4	4	4	4	Rojo 2	000 ⇔ 255	0-100%
	5	5	5	5	5	Verde 2		
	6	6	6	6	6	Azul 2		
		7	7	7	7	Rojo 3	000 ⇔ 255	0-100%
		8	8	8	8	Verde 3		
		9	9	9	9	Azul 3		
		10	10	10	10	Rojo 4	000 ⇔ 255	0-100%
		11	11	11	11	Verde 4		
		12	12	12	12	Azul 4		
			13	13	13	Rojo 5	000 ⇔ 255	0-100%
			14	14	14	Verde 5		
			15	15	15	Azul 5		
			16	16	16	Rojo 6	000 ⇔ 255	0-100%
			17	17	17	Verde 6		
			18	18	18	Azul 6		
			19	19	19	Rojo 7	000 ⇔ 255	0-100%
			20	20	20	Verde 7		
			21	21	21	Azul 7		
			22	22	22	Rojo 8	000 ⇔ 255	0-100%
			23	23	23	Verde 8		
			24	24	24	Azul 8		
			25	25	25	Rojo 9	000 ⇔ 255	0-100%
			26	26	26	Verde 9		
			27	27	27	Azul 9		
			28	28	28	Rojo 10	000 ⇔ 255	0-100%
			29	29	29	Verde 10		
			30	30	30	Azul 10		
			31	31	31	Rojo 11	000 ⇔ 255	0-100%
			32	32	32	Verde 11		
			33	33	33	Azul 11		
			34	34	34	Rojo 12	000 ⇔ 255	0-100%
			35	35	35	Verde 12		
			36	36	36	Azul 12		

Zonas para control DMX



A propos de ce manuel

Le Manuel de Référence (MdR) du COLORband PiX ILS reprend des informations de base sur cet appareil notamment en matière de montage, d'options de menu et de valeurs DMX.

Clause de non Responsabilité

Les informations et caractéristiques contenues dans ce MdR sont sujettes à modification sans préavis.

GARANTIE LIMITÉE

VEUILLEZ VISITER NOTRE SITE INTERNET POUR CONSULTER LES MODALITÉS D'ENREGISTREMENT DE LA GARANTIE ET LES CONDITIONS GÉNÉRALES COMPLÈTES.

Pour les clients aux États-Unis et au Mexique: www.chauvetlighting.com/warranty-registration.

Pour les clients du Royaume-Uni, de la République d'Irlande, de la Belgique, des Pays-Bas, du Luxembourg, de la France et de l'Allemagne: www.chauvetlighting.eu/warranty-registration.

Chauvet garantit que cet appareil est exempt de défauts de matériaux et de fabrication dans des conditions normales d'utilisation, pendant la période spécifiée dans la garantie limitée complète consultable sur notre site Internet et sous réserve des exclusions et limitations qui y sont énoncées. Cette garantie ne s'applique qu'à l'acheteur initial du produit et n'est pas transférable. Pour exercer les droits prévus par cette garantie, vous devez fournir une preuve d'achat sous la forme d'un reçu de vente original d'un revendeur autorisé qui indique le nom du produit et la date d'achat. IL N'EXISTE AUCUNE AUTRE GARANTIE EXPRESSE OU IMPLICITE. Cette garantie vous confère des droits légaux spécifique. Vous pouvez également bénéficier d'autres droits qui varient selon les états et les pays. Cette garantie n'est valable qu'aux États-Unis, au Royaume-Uni, en République d'Irlande, en Belgique, aux Pays-Bas, au Luxembourg, en France, en Allemagne et au Mexique. Pour connaître les conditions de garantie dans d'autres pays, veuillez consulter votre revendeur local.

Consignes de Sécurité

Ces consignes de sécurité contiennent des informations importantes en matière d'installation, d'utilisation et d'entretien.



- Cet appareil DOIT être relié à un circuit mis à la terre et protégé.
- Toujours débrancher l'appareil de la source d'alimentation avant de le nettoyer ou de remplacer son fusible.
- NE PAS exposer directement les yeux à la source de lumière lorsque le produit est allumé.
- Veillez à ce que le cordon d'alimentation ne soit jamais pincé ou endommagé.
- Ne débranchez jamais cet appareil en tirant sur le cordon d'alimentation.
- En cas de montage de l'appareil en hauteur, veillez à toujours utiliser un câble de sécurité.
- NE PAS laisser de produit inflammable à proximité de l'appareil lorsque celui-ci fonctionne.
- NE PAS toucher au boîtier de l'appareil lorsqu'il est en fonctionnement, celui-ci pouvant être très chaud.



- La tension de la source d'énergie à laquelle est connecté cet appareil doit être dans la plage indiquée sur l'étiquette ou sur le panneau arrière de l'appareil.
- Cet appareil doit uniquement être utilisé en intérieur! (IP20) Afin d'éviter tout risque d'incendie ou de décharge électrique, veillez à n'exposer cet appareil ni à la pluie ni à l'humidité.
- Installez toujours cet appareil dans un endroit bien ventilé à au moins 50 cm (20 po) des surfaces adjacentes.
- Assurez-vous qu'aucune fente de ventilation de l'appareil n'est obstruée.
- Ne connectez jamais cet appareil à un variateur ou un rhéostat.
- Lors du remplacement du fusible, utilisez le même type et le même ampérage.
- Utilisez EXCLUSIVEMENT le support de suspension/fixation pour soulever cet appareil.
- La température ambiante maximale est de 40 °C (104 °F). Ne faites pas fonctionner cet appareil à des températures plus élevées.
- En cas de sérieux problèmes de fonctionnement, arrêtez l'appareil immédiatement.
- NE PAS ouvrir cet appareil. Il ne contient aucune pièce réparable par l'utilisateur.
- Durant les périodes de non-utilisation, pour éviter toute usure inutile et pour prolonger la durée de vie, éteignez complètement l'appareil en le débranchant ou en coupant le disjoncteur.

Contact

En dehors des États-Unis, du Royaume-Uni, de l'Irlande, du Benelux, de la France, de l'Allemagne, ou du Mexique, contactez votre fournisseur si vous avez besoin d'assistance ou pour retourner un appareil. Référez-vous à [Contact Us](#) à la fin de ce MdR pour obtenir des informations pour nous contacter.

Contenu

- COLORband PiX ILS
- Support de montage
- Cordon d'alimentation
- Manuel de Référence

Préalable

Déballez votre COLORband PiX ILS et assurez-vous que vous avez reçu toutes les pièces en bon état. Si la boîte et/ou son contenu semble endommagés, contactez immédiatement le transporteur, et non pas Chauvet.

Alimentation CA

Cet appareil est doté d'une alimentation universelle qui peut prendre en charge toute tension d'entrée comprise entre 100 et 240 VCA, 50/60 Hz.



Durant les périodes de non-utilisation, pour éviter toute usure inutile et pour prolonger la durée de vie, éteignez complètement l'appareil en le débranchant ou en coupant le disjoncteur.

Chaînage électrique

Il est possible connecter jusqu'à 19 COLORband PiX ILS à 120 V ou 35 COLORband PiX ILS à 230 V.

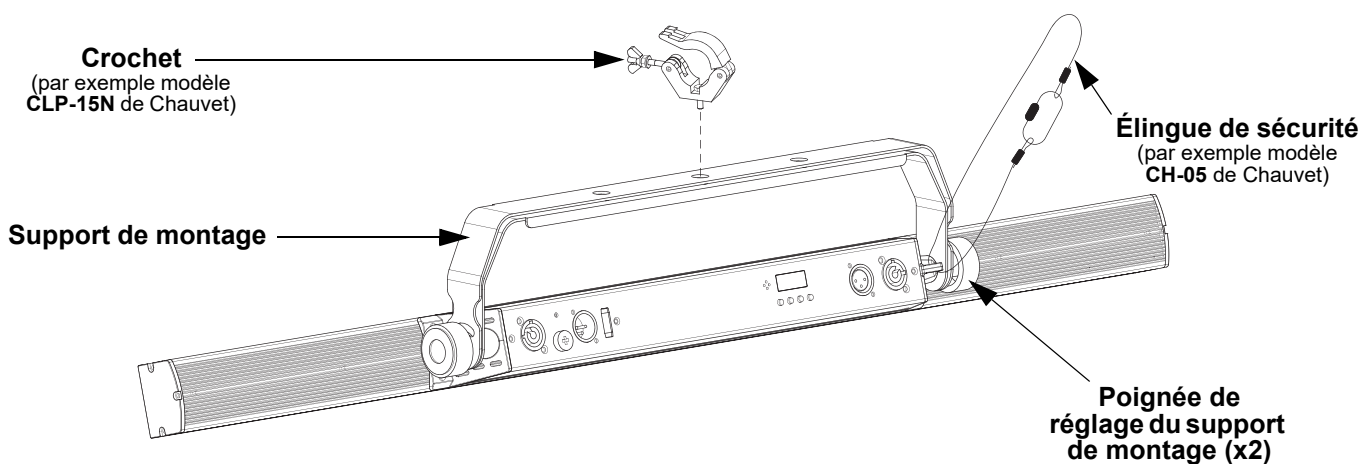
Remplacement des fusibles

1. Débranchez l'appareil.
2. Avec un tournevis cruciforme, desserrez le porte-fusible et retirez-le directement.
3. Enlevez le fusible grillé du porte fusible et remplacez-le par un fusible de même type et de même ampérage.
4. Remettez le porte-fusible en place puis rebranchez.

Montage

Avant de monter cet appareil, veuillez lire les [Consignes de Sécurité](#).

Schéma de montage



Description du panneau de commande

Bouton	Fonction
<MENU>	Permet de sortir du menu ou de la fonction en cours
<UP>	Permet de naviguer vers le haut dans la liste du menu et d'incrémenter une valeur numérique dans une fonction
<DOWN>	Permet de naviguer vers le bas dans la liste du menu et de décrémenter une valeur numérique dans une fonction
<ENTER>	Active l'entrée de menu actuellement affichée ou confirme la valeur actuellement sélectionnée pour la fonction en cours de sélection

Menu carte

Reportez-vous à la page du produit COLORband PiX ILS sur www.chauvetdj.com pour la dernière carte des menu.

Mode	Étapes de programmation		Description	
Mode DMX	3-Ch	d 1–510	Mode DMX à 3 canaux et 1-zone	
	4-Ch	d 1–509	Mode DMX à 4 canaux et 1-zone	
	6-Ch	d 1–507	Mode DMX à 6 canaux et 2-zone	
	7-Ch	d 1–506	Mode DMX à 7 canaux et 1-zone	
	8-Ch	d 1–505	Mode DMX à 8 canaux et 1-zone	
	9-Ch	d 1–504	Mode DMX à 9 canaux et 3-zone	
	12Ch	d 1–501	Mode DMX à 12 canaux et 4-zone	
	18Ch	d 1–495	Mode DMX à 18 canaux et 6-zone	
	36Ch	d 1–477	Mode DMX à 36 canaux et 12-zone	
41Ch	d 1–472	Mode DMX à 41 canaux et 12-zone		
Mode ILS	iLS	iLS1–4	Sets ILS mode	
Couleurs	C--	C 1–7	Couleurs statiques	
Programmes	P--	P 1–23	Programmes automatiques	
Vitesse	S--	S. 1–100	Vitesse de programme	
Mode Son	Snd	Snd	Programme son-actif	
Sensibilité	SenS	u 0–100	Sensibilité au son	
Mode Manuel	U--	r. 0–255	Combinaison de rouge, vert, et bleu pour une couleur statique personnalisée	
		G. 0–255		
		b. 0–255		
Vitesse de gradateur	DIM	oFF	Paramétrage de vitesse de gradateur	
		dIM1–3		
Contrôle RF	SEt	RF	oFF	Désactiver le télécommande RFC
			Link	Pour établir une liaison avec une seule télécommande, maintenez enfoncée la touche <freeze>, (RFC) ou <BLACK OUT> (RFC-XL) jusqu'à ce que l'écran affiche PASS (succès) ou ErrO (échec)
			PubL	En mode public, le contrôle peut se faire avec n'importe quelle télécommande RFC ou RFC-XL
			GP1–4	Permet de définir sur un groupe de réception à distance RFC-XL
		REST	Réinitialise aux valeurs par défaut d'usine	

Chaînage DMX

Le COLORband PiX ILS peut fonctionner avec un contrôleur DMX. Si vous n'êtes pas familier avec le protocole DMX, vous pouvez télécharger l'introduction au DMX à l'adresse www.chauvetdj.com.

Adresse de départ

Pour permettre un accès à l'ensemble des canaux de chaque mode DMX, l'adresse DMX maximale recommandée est 472.

Connexion maître/esclave

Le COLORband PiX ILS utilise une connexion de données DMX pour le fonctionnement de son mode maître/esclave.

RFC (Radio Frequency Control) et RFC-XL

Le COLORband PiX ILS peut être utilisé avec les télécommandes CHAUVET RFC et RFC-XL.

Connectivité D-Fi USB

Le COLORband PiX ILS peut se transformer en récepteur/émetteur D-Fi sans fil avec l'utilisation du module D-Fi USB de CHAUVET DJ. Il suffit de régler l'interrupteur DIP sur le canal réception/émission, de brancher le module sur le port USB et de paramétrer la personnalité et l'adresse DMX de l'appareil.



ATTENTION ! NE branchez QUE des appareils D-Fi USB sur le port USB. Le non respect de cette consigne peut endommager l'appareil.



Une fois branché, le module D-Fi USB prendra le contact de l'appareil. Le DMX filaire, le contrôle manuel de l'affichage, les boutons du menu et l'IRC-6 seront indisponibles jusqu'à ce que vous débranchez le module D-Fi USB. Les niveaux de priorité sont comme suit :

1. Module D-Fi USB
2. DMX filaire
3. Télécommande sans-fil IRC-6
4. Affichage digitale manuel / boutons du menu

Mode maître/esclave (D-Fi USB)

Le D-Fi USB permet à un seul appareil COLORband PiX ILS (le maître) de contrôler les actions d'un ou plusieurs autres appareils COLORband PiX ILS (les esclaves) sans contrôleur ou câbles DMX. L'appareil maître (émetteur) doit être réglé pour fonctionner en mode autonome, tandis que les appareils esclaves (récepteurs) doivent être réglés pour fonctionner en mode esclave. Une fois paramétrés et connectés, les appareils esclaves fonctionnent à l'unisson avec l'appareil maître.

Configurez les appareils comme indiqué ci-dessous :

Appareils esclaves :

1. Appuyez sur la touche **<MENU>** de manière répétée jusqu'à ce que l'affichage indique **9-Ch**.
2. Appuyez sur la touche **<ENTER>**.
3. Utilisez les touches **<UP>** ou **<DOWN>** pour définit l'adresse de départ à **d 1**.
4. Appuyez sur la touche **<ENTER>**.
5. Réglez le D-Fi USB pour recevoir sur un canal spécifique, 1 à 16.
6. Branchez le D-Fi USB.
7. Continuez jusqu'à ce que tous les appareils esclaves soient paramétrés et connectés.

Appareil maître :

1. Paramétrez l'appareil maître pour un fonctionnement en mode autonome.
2. Réglez le D-Fi USB pour qu'il transmette sur le canal D-Fi d'écoute des esclaves.
3. Branchez le D-Fi USB.
 - **Tous les appareils doivent être réglés sur la même personnalité DMX, la même adresse DMX et le même canal D-Fi.**
 - **Configurez tous les appareils esclaves avant de configurer le maître en émission.**
 - **Ne jamais connecter un contrôleur DMX à un canal DMX configuré pour le fonctionnement en maître/esclave car le contrôleur peut rentrer en conflit avec les signaux du maître.**



Mode ILS

ILS (Integrated Lighting System) offre 4 modes synchronisés avec le GigBAR Move+ILS : Les modes 1 et 3 se synchronisent avec la face 1 du GigBAR MOVE+ILS, tandis que les modes 2 et 4 se synchronisent avec la face 2. Une fois ILS lié au GigBAR Move+ILS, les effets se synchronisent avec l'effet le plus identique possible sur la face sélectionnée : Les effets kinta se synchronisent avec l'un des kintas, les têtes mobiles se synchronisent avec l'une des têtes mobiles et les effets de type wash se synchronisent avec l'un des pars. Les effets laser se synchronisent avec le laser et les effets stroboscopiques se synchronisent avec les effets stroboscopiques quel que soit le mode ILS.

Ce produit se synchronise avec le par de la face sélectionnée du GigBAR MOVE+ILS.

Pour régler le COLORband PiX ILS afin qu'il réponde à un signal ILS :

1. Appuyez sur la touche **<MENU>** de manière répétée jusqu'à ce que l'affichage indique **iLS_**.
2. Utilisez les touches **<UP>** ou **<DOWN>** pour sélectionner de **iLS1** (face 1), **iLS2** (face 2), **iLS3** (face 1), ou **iLS4** (face 2).
3. Appuyez sur la touche **<ENTER>**

Valeurs DMX

	3-Ch	4-Ch	6-Ch	7-Ch	8-Ch	9-Ch	12Ch	18Ch	36Ch	41Ch
Contrôle	Pixel	Total	Pixel	Total	Total	Pixel	Pixel	Pixel	Pixel	Total
Zones	1	1	2	1	1	3	4	6	12	12

Full Control Modes

4-Ch	7-Ch	8-Ch	41Ch	Fonction	Valeur	Pourcentage/Paramétrage			
1	1	1	1	Rouge 1	000 ⇔ 255	0-100%			
2	2	2	2	Vert 1					
3	3	3	3	Bleu 1					
-	-	-	4	Rouge 2	000 ⇔ 255	0-100%			
			5	Vert 2					
			6	Bleu 2					
			-	-	-	7	Rouge 3	000 ⇔ 255	0-100%
						8	Vert 3		
						9	Bleu 3		
			-	-	-	10	Rouge 4	000 ⇔ 255	0-100%
						11	Vert 4		
						12	Bleu 4		
			-	-	-	13	Rouge 5	000 ⇔ 255	0-100%
						14	Vert 5		
						15	Bleu 5		
-	-	-	16	Rouge 6	000 ⇔ 255	0-100%			
			17	Vert 6					
			18	Bleu 6					
-	-	-	19	Rouge 7	000 ⇔ 255	0-100%			
			20	Vert 7					
			21	Bleu 7					
-	-	-	22	Rouge 8	000 ⇔ 255	0-100%			
			23	Vert 8					
			24	Bleu 8					
-	-	-	25	Rouge 9	000 ⇔ 255	0-100%			
			26	Vert 9					
			27	Bleu 9					
-	-	-	28	Rouge 10	000 ⇔ 255	0-100%			
			29	Vert 10					
			30	Bleu 10					
-	-	-	31	Rouge 11	000 ⇔ 255	0-100%			
			32	Vert 11					
			33	Bleu 11					
-	-	-	34	Rouge 12	000 ⇔ 255	0-100%			
			35	Vert 12					
			36	Bleu 12					
-	4	4	37	Macros de couleurs	000 ⇔ 014	Pas de fonction			
					015 ⇔ 255	Macros de couleurs			

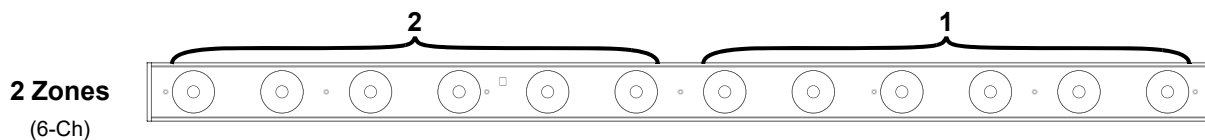
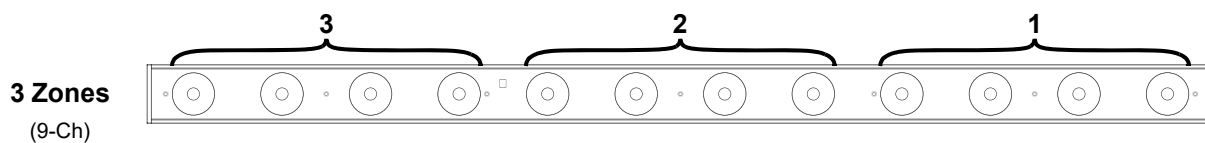
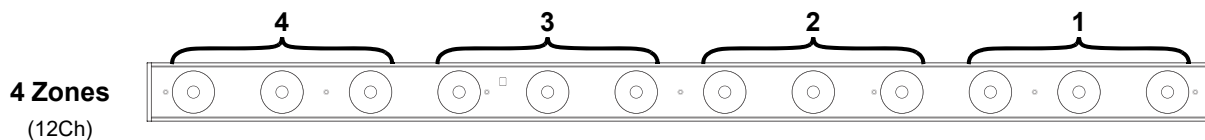
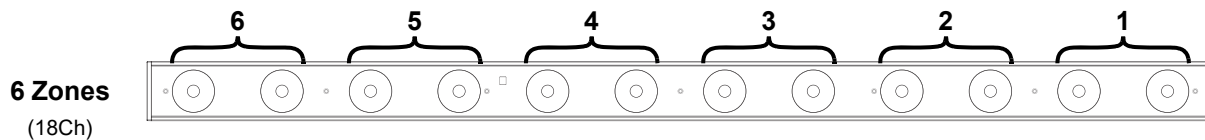
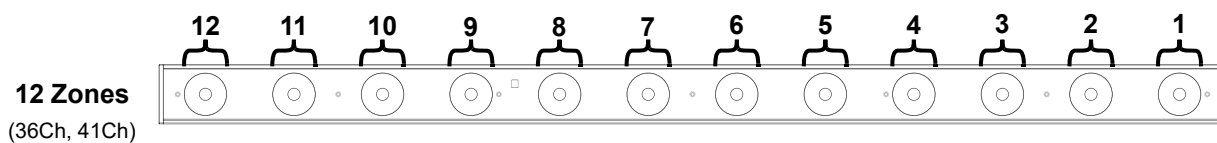
4-Ch	7-Ch	8-Ch	41Ch	Fonction	Valeur	Pourcentage/Paramétrage
-	5	5	38	Stroboscope (lorsque C. 6/39 est 000 ⇔ 031)	000 ⇔ 015	Pas de fonction
					016 ⇔ 255	Stroboscope, lente à rapide
				Vitesse du programme (lorsque C. 6/39 est 032 ⇔ 223/229)	000 ⇔ 255	Vitesse du programme, lente à rapide
					Sensibilité au son (lorsque C. 6/39 est 224/230 ⇔ 255)	000 ⇔ 010
011 ⇔ 255	Sensibilité au son, basse à élevée					
-	-	6	39	Programme	000 ⇔ 031	Pas de fonction
					032 ⇔ 063	Effet de pulsé, 0-100%
					064 ⇔ 095	Effet de pulsé, 100-0%
					096 ⇔ 114	Effet de pulsé, 100-0-100%
					115 ⇔ 119	Programme automatique 1
					120 ⇔ 124	Programme automatique 2
					125 ⇔ 129	Programme automatique 3
					130 ⇔ 134	Programme automatique 4
					135 ⇔ 139	Programme automatique 5
					140 ⇔ 144	Programme automatique 6
					145 ⇔ 149	Programme automatique 7
					150 ⇔ 154	Programme automatique 8
					155 ⇔ 159	Programme automatique 9
					160 ⇔ 164	Programme automatique 10
					165 ⇔ 169	Programme automatique 11
					170 ⇔ 174	Programme automatique 12
					175 ⇔ 179	Programme automatique 13
					180 ⇔ 184	Programme automatique 14
					185 ⇔ 189	Programme automatique 15
					190 ⇔ 194	Programme automatique 16
					195 ⇔ 199	Programme automatique 17
					200 ⇔ 204	Programme automatique 18
					205 ⇔ 209	Programme automatique 19
210 ⇔ 214	Programme automatique 20					
215 ⇔ 219	Programme automatique 21					
220 ⇔ 224	Programme automatique 22					
225 ⇔ 229	Programme automatique 23					
230 ⇔ 255	Programme son-actif					
-	6	-	-	Programme	000 ⇔ 031	Pas de fonction
					032 ⇔ 063	Effet de pulsé, 0-100%
					064 ⇔ 095	Effet de pulsé, 100-0%
					096 ⇔ 114	Effet de pulsé, 100-0-100%
					115 ⇔ 127	Séquence automatique
					128 ⇔ 159	Fondu automatique
					160 ⇔ 191	Accroche automatique à 3 couleurs
					192 ⇔ 223	Accroche automatique à 7 couleurs
224 ⇔ 255	Programme son-actif					
4	7	7	40	Gradateur	000 ⇔ 255	0-100%

4-Ch	7-Ch	8-Ch	41Ch	Fonction	Valeur	Pourcentage/Paramétrage
-	-	8	41	Vitesse de gradateur	000 ⇔ 051	Vitesse de gradation réglée depuis l'affichage
					052 ⇔ 101	Arrêt du mode de vitesse de gradation
					102 ⇔ 152	Mode 1 de vitesse de gradation (rapide)
					153 ⇔ 203	Mode 2 de vitesse de gradation (moyen)
					204 ⇔ 255	Mode 3 de vitesse de gradation (lent)

Pixel Control Modes

3-Ch	6-Ch	9-Ch	12Ch	18Ch	36Ch	Fonction	Value	Percent/Setting
1	1	1	1	1	1	Rouge 1	000 ⇔ 255	0-100%
2	2	2	2	2	2	Vert 1	000 ⇔ 255	0-100%
3	3	3	3	3	3	Bleu 1	000 ⇔ 255	0-100%
	4	4	4	4	4	Rouge 2	000 ⇔ 255	0-100%
	5	5	5	5	5	Vert 2	000 ⇔ 255	0-100%
	6	6	6	6	6	Bleu 2	000 ⇔ 255	0-100%
	7	7	7	7	7	Rouge 3	000 ⇔ 255	0-100%
	8	8	8	8	8	Vert 3	000 ⇔ 255	0-100%
	9	9	9	9	9	Bleu 3	000 ⇔ 255	0-100%
	10	10	10	10	10	Rouge 4	000 ⇔ 255	0-100%
	11	11	11	11	11	Vert 4	000 ⇔ 255	0-100%
	12	12	12	12	12	Bleu 4	000 ⇔ 255	0-100%
	13	13	13	13	13	Rouge 5	000 ⇔ 255	0-100%
	14	14	14	14	14	Vert 5	000 ⇔ 255	0-100%
	15	15	15	15	15	Bleu 5	000 ⇔ 255	0-100%
	16	16	16	16	16	Rouge 6	000 ⇔ 255	0-100%
	17	17	17	17	17	Vert 6	000 ⇔ 255	0-100%
	18	18	18	18	18	Bleu 6	000 ⇔ 255	0-100%
	19	19	19	19	19	Rouge 7	000 ⇔ 255	0-100%
	20	20	20	20	20	Vert 7	000 ⇔ 255	0-100%
	21	21	21	21	21	Bleu 7	000 ⇔ 255	0-100%
	22	22	22	22	22	Rouge 8	000 ⇔ 255	0-100%
	23	23	23	23	23	Vert 8	000 ⇔ 255	0-100%
	24	24	24	24	24	Bleu 8	000 ⇔ 255	0-100%
	25	25	25	25	25	Rouge 9	000 ⇔ 255	0-100%
	26	26	26	26	26	Vert 9	000 ⇔ 255	0-100%
	27	27	27	27	27	Bleu 9	000 ⇔ 255	0-100%
	28	28	28	28	28	Rouge 10	000 ⇔ 255	0-100%
	29	29	29	29	29	Vert 10	000 ⇔ 255	0-100%
	30	30	30	30	30	Bleu 10	000 ⇔ 255	0-100%
	31	31	31	31	31	Rouge 11	000 ⇔ 255	0-100%
	32	32	32	32	32	Vert 11	000 ⇔ 255	0-100%
	33	33	33	33	33	Bleu 11	000 ⇔ 255	0-100%
	34	34	34	34	34	Rouge 12	000 ⇔ 255	0-100%
	35	35	35	35	35	Vert 12	000 ⇔ 255	0-100%
	36	36	36	36	36	Bleu 12	000 ⇔ 255	0-100%

Zones de contrôle DMX



Über diese Schnellanleitung

In der Schnellanleitung des COLORband PiX ILS finden Sie die wesentlichen Produktinformationen, wie etwa über die Montage, Menüoptionen und DMX-Werte des Geräts.

Haftungsausschluss

Die in dieser Anleitung aufgeführten Informationen und Spezifikationen können ohne vorherige Ankündigung geändert werden.

EINGESCHRÄNKTE GARANTIE

ZUR REGISTRIERUNG FÜR GARANTIEANSPRÜCHE UND ZUR EINSICHT IN DIE VOLLSTÄNDIGEN GESCHÄFTSBEDINGUNGEN BESUCHEN SIE BITTE UNSERE WEBSITE.

Für Kunden in den USA und in Mexiko: www.chauvetlighting.com/warranty-registration.

Für Kunden im Vereinigten Königreich, in Irland, Belgien, den Niederlanden, Luxemburg, Frankreich und Deutschland: www.chauvetlighting.eu/warranty-registration.

Chauvet garantiert für die in der auf unserer Website veröffentlichten vollständigen eingeschränkten Garantie genannten Dauer und unter Vorbehalt der darin genannten Haftungsausschlüsse und -Beschränkungen, dass dieses Produkt bei normalen Gebrauch frei von Material- und Verarbeitungsfehlern ist. Diese Garantie erstreckt sich nur auf den Erstkäufer des Produkts und ist nicht übertragbar. Zur Ausübung der unter dieser Garantie gewährten Rechte ist der Kaufbeleg in Form der Originalrechnung von einem autorisierten Händler vorzulegen, in der die Produktbezeichnung und das Kaufdatum vermerkt sein müssen. ES BESTEHEN KEINE WEITEREN AUSDRÜCKLICHEN ODER STILLSCHWEIGENDEN GARANTIEN. Diese Garantie gibt Ihnen besondere gesetzliche Rechte. Und Sie haben möglicherweise weitere Rechte, die von Land zu Land unterschiedlich sein können. Diese Garantie ist nur in den USA, im Vereinigten Königreich, in Irland, Belgien, den Niederlanden, Luxemburg, Frankreich, Deutschland und Mexiko gültig. Bezüglich der Garantiebestimmungen in anderen Ländern wenden Sie sich bitte an Ihren lokalen Händler.

Sicherheitshinweise

Diese Sicherheitshinweise enthalten wichtige Informationen über die Montage, Verwendung und Wartung des Geräts.



- Schließen Sie dieses Produkt NUR an einen mit der Erde verbundenen und geschützten Stromkreis an.
- Trennen Sie das Gerät von der Stromquelle, bevor Sie es reinigen oder die Sicherung auswechseln.
- NIEMALS in die Lichtquelle schauen, während das Gerät eingeschaltet ist.
- Stellen Sie sicher, dass das Netzkabel nicht gequetscht oder beschädigt ist.
- Ziehen Sie beim Trennen des Geräts von der Stromversorgung nie am Kabel.
- Bei Montage über Kopf immer ein Sicherheitsseil verwenden.
- KEINE entflammaren Materialien während des Betriebs in der Nähe des Geräts lagern.
- NIEMALS während des Betriebs das Gehäuse berühren, da dies sehr heiß wird.
- Die Spannung der Schukosteckdose, an die Sie das Gerät anschließen, muss sich innerhalb des Spannungsbereiches befinden, der auf dem Hinweisschild oder dem rückwärtigen Bedienfeld des Geräts angegeben ist.
- Dieses Gerät darf nur im Innenbereich verwendet werden. (IP20) Um das Risiko von Bränden oder elektrischen Schlägen zu vermeiden, dürfen Sie das Gerät nicht Regen oder Feuchtigkeit aussetzen.
- Installieren Sie das Gerät an einem Ort mit ausreichender Belüftung und mit einem Abstand von 50 cm zu den angrenzenden Flächen.
- Stellen Sie sicher, dass die Lüftungsöffnungen im Gehäuse des Geräts nicht verschlossen sind.
- Schließen Sie dieses Gerät niemals an einen Dimmer oder Regelwiderstand an.
- Achten Sie beim Auswechseln der Sicherung darauf, den gleichen Typ mit den gleichen Werten zu verwenden.
- Das Gerät NUR an den Hänge-/Befestigungsbügeln oder Griffen tragen.
- Die maximal zulässige Umgebungstemperatur beträgt 40 °C. Nehmen Sie das Gerät nicht bei höheren Temperaturen in Betrieb.
- Bei ernsthaften Betriebsproblemen stoppen Sie umgehend die Verwendung des Geräts.
- Dieses Gerät NICHT öffnen. Die eingebauten Komponenten sind für den Kunden wartungsfrei.
- Um unnötigen Verschleiß zu vermeiden und die Lebensdauer des Geräts zu verlängern, trennen Sie während längerer Perioden des Nichtgebrauchs das Gerät vom Stromnetz – entweder per Trennschalter oder durch Herausziehen des Steckers aus der Steckdose.



Kontakt

Kunden außerhalb der USA, GB, Irland, Benelux, Frankreich, Deutschland oder Mexiko wenden sich an ihren Lieferanten, um den Kundensupport in Anspruch zu nehmen oder ein Produkt zurückzuschicken. Kontaktinformationen finden Sie im [Contact Us](#) am Ende dieses QRG.

Packungsinhalt

- COLORband PiX ILS
- Netzkabel
- Befestigungsbügel
- Schnellanleitung

Start

Packen Sie Ihren COLORband PiX ILS aus und überprüfen Sie, ob Sie alle Teile unbeschädigt erhalten haben. Wenn die Verpackung beschädigt ist, benachrichtigen Sie umgehend das Transportunternehmen, nicht jedoch Chauvet.

Wechselstrom

Dieses Gerät verfügt über ein Vorschaltgerät, das automatisch die anliegende Spannung erkennt, sobald der Netzstecker in die Schukosteckdose gesteckt wird, und kann mit einer Eingangsspannung von 100~240 V AC, 50/60 Hz arbeiten.



Um unnötigen Verschleiß zu vermeiden und die Lebensdauer des Geräts zu verlängern, trennen Sie während längerer Perioden des Nichtgebrauchs das Gerät vom Stromnetz – entweder per Trennschalter oder durch Herausziehen des Steckers aus der Steckdose.

Serienschaltung der Geräte

Bis zu 19 COLORband PiX ILS-Geräte bei 120 V AC oder 35 Geräte bei 230 V AC in Serie schalten ist möglich.

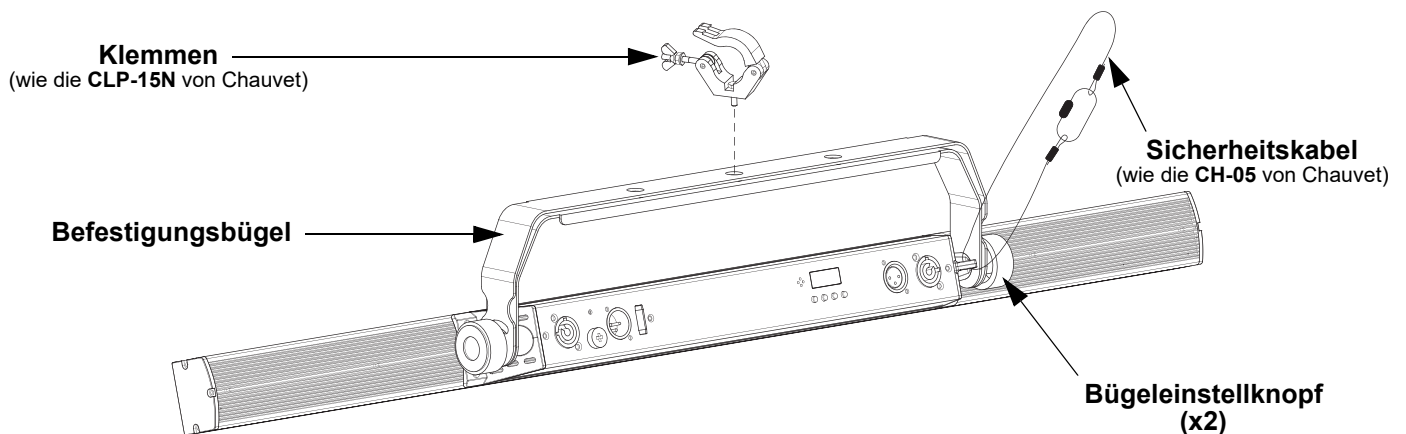
Auswechseln der Sicherung

1. Trennen Sie das Gerät vom Stromnetz.
2. Mithilfe eines Kreuzschlitzschraubendreher lockern Sie den Sicherungshalter und ziehen ihn gerade heraus.
3. Entfernen Sie die durchgebrannte Sicherung von der Klemme, und ersetzen Sie diese durch eine Sicherung des gleichen Typs und mit den gleichen Werten.
4. Stecken Sie den Sicherungshalter wieder zurück, und schließen Sie das Gerät an das Stromnetz an.

Montage

Lesen Sie vor der Montage dieses Geräts in jedem Fall die [Sicherheitshinweise](#).

Montageansicht



Beschreibung des Bedienfelds

Taste	Funktion
<MENU>	Wählt einen Betriebsmodus oder verlässt die aktuelle Menüoption
<UP>	Damit navigieren Sie durch die Menüpunkte nach oben und erhöhen den numerischen Wert der entsprechenden Funktionen
<DOWN>	Damit navigieren Sie durch die Menüpunkte nach unten und verringern den numerischen Wert der entsprechenden Funktionen
<ENTER>	Aktiviert eine Menüoption oder einen ausgewählten Wert

Menükarte

Die neueste Menükarte finden Sie auf der COLORband PiX ILS-Produktseite unter www.chauvetdj.com.

Modus	Programmiererebenen		Beschreibung	
DMX-Modus	3-Ch	d 1–510	3-Kanal, 1-Zone DMX-Modus	
	4-Ch	d 1–509	4-Kanal, 1-Zone DMX-Modus	
	6-Ch	d 1–507	6-Kanal, 2-Zonen DMX-Modus	
	7-Ch	d 1–506	7-Kanal, 1-Zone DMX-Modus	
	8-Ch	d 1–505	8-Kanal, 1-Zone DMX-Modus	
	9-Ch	d 1–504	9-Kanal, 3-Zonen DMX-Modus	
	12Ch	d 1–501	12-Kanal, 4-Zonen DMX-Modus	
	18Ch	d 1–495	18-Kanal, 6-Zonen DMX-Modus	
	36Ch	d 1–477	36-Kanal, 12-Zonen DMX-Modus	
41Ch	d 1–472	41-Kanal, 12-Zonen DMX-Modus		
ILS Mode	iLS	iLS1–4	Stellt die ILS-Modus ein	
Statische Farbe	C--	C 1–7	Statische Farbe	
Programme	P--	P 1–23	Automatische Programme	
Geschwindigkeit	S--	S. 1–100	Automatische Programmgeschwindigkeit	
Musikmodus	Snd	Snd	Musiksteuerungsprogramm	
Empfindlichkeit	SenS	u 0–100	Musikempfindlichkeit	
Manueller Modus	U--	r. 0–255	Kombiniert rot, grün, und blau für eine Benutzerdefinierte statische Farbe	
		G. 0–255		
		b. 0–255		
Dimmer-Geschwindigkeit	DIM	oFF	Stellt die Dimmergeschwindigkeit ein	
		dIM1–3		
RF Steuerung	SEt	RF	oFF	Deaktiviert RFC Fernbedienung
			Link	Stellen Sie durch Drücken und Gedrückthalten von <freeze> , (RFC) oder <BLACK OUT> (RFC-XL) bis auf der Anzeige PASS (erfolgreich) oder ErrO (fehlgeschlagen) erscheint, eine Verknüpfung mit einer einzelnen Fernbedienung her
			PubL	Öffentlicher Modus, Steuerung mit jeder RFC- oder RFC-XL-Fernbedienung
			GP1–4	Damit wird die empfangende Gruppe auf eine RFC-XL-Fernbedienung eingestellt
		REST	Stellt Sie das Gerät auf die Werkseinstellungen zurück	

DMX-Verbindung

Der COLORband PiX ILS kann mit einem DMX-Controller betrieben werden. Wenn Sie mit DMX nicht vertraut sind, laden Sie "DMX - Eine Einführung" unter www.chauvetdj.com herunter.

Startadresse

Um einen vollständigen Zugang zu allen Kanälen in jedem DMX-Modus zu gewährleisten, beträgt die höchste empfohlene DMX-Adresse **472**.

Master/Slave-Schaltung

Der COLORband PiX ILS verwendet für seinen Master/Slave-Modus eine DMX-Datenverbindung.

RFC (Radio Frequency Control) und RFC-XL

Der COLORband PiX ILS kann mit der CHAUVET RFC und RFC-XL angesteuert werden.

D-Fi USB Konnektivität

Der COLORband PiX ILS kann mit einem D-Fi USB von CHAUVET DJ in einen drahtlosen D-Fi Transceiver umgewandelt werden. Stellen Sie dazu einfach den DIP-Schalter auf den Kanal des D-Fi Transceivers ein, stecken Sie das Gerät in den USB-Anschluß ein und stellen Sie anschließend die DMX-Eigenschaften sowie die DMX-Adresse ein.



ACHTUNG! KEIN anderes Gerät als einen D-Fi USB in den USB-Anschluss einstecken. Dies könnte zu Beschädigungen des Produkts führen.



Nach dem Einstecken übernimmt der D-Fi USB die Steuerung des Geräts. Drahtgebundenes DMX, manuelle Bedienelemente und Menüschaftflächen sowie IR-Fernbedienung sind deaktiviert, bis Sie den D-Fi USB wieder ausstecken. Die Prioritätenebenen sind wie folgt verteilt:

1. D-Fi USB
2. Drahtgebundenes DMX
3. Fernbedienung IRC-6
4. Manuelle Bedienelemente und Menüschaftflächen

Master/Slave-Modus (D-Fi USB)

Der D-Fi USB ermöglicht einem einzigen COLORband PiX ILS-Gerät (das Master-Gerät) die Aktionen eines oder mehrerer COLORband PiX ILS-Geräte (die Slave-Geräte) anzusteuern, ohne einen DMX-Controller oder DMX-Kabel verwenden zu müssen. Das Master-Gerät (Sender) wird so eingerichtet, dass es entweder im Einzelplatzmodus betrieben wird, während die Slave-Geräte (Empfänger) so eingerichtet werden, dass sie im Slave-Modus arbeiten. Sobald dies eingestellt ist und alle Geräte verbunden sind, arbeiten die Slave-Geräte im Takt des Master-Geräts.

Konfigurieren Sie die Geräte wie unten angezeigt.

Slave-Geräte:

1. Drücken Sie wiederholt auf **<MENU>** bis **9-Ch** auf der Anzeige angezeigt wird.
2. Drücken Sie **<ENTER>**.
3. Verwenden Sie **<UP>** oder **<DOWN>** die Startadresse bis **d 1** stellen.
4. Drücken Sie **<ENTER>**.
5. Stellen Sie den D-Fi USB so ein, dass er auf einem bestimmten Kanal empfangen kann (1–16).
6. Schließen Sie den D-Fi USB an.
7. Beenden Sie die Einstellungen und das Anschließen aller Slave-Geräte.

Master-Gerät:

1. Stellen Sie den Betrieb des Master-Geräts auf Einzelplatzmodus ein.
2. Stellen Sie den D-Fi USB so ein, dass er auf dem D-Fi-Kanal senden kann, auf dem die Slave-Geräte empfangen.
3. Schließen Sie den D-Fi USB an.



- **Alle Geräte müssen auf die/den gleiche/n DMX-Eigenschaften, DMX-Adresse und D-Fi-Kanal eingestellt sein.**
- **Konfigurieren Sie alle Slave-Geräte, bevor Sie das Master-Gerät für das Senden konfigurieren.**
- **Schließen Sie niemals einen DMX-Controller an einen D-Fi-Kanal an, der für einen Master/Slave-Betrieb konfiguriert ist, da der Controller die Signale des Master-Geräts stören kann.**

ILS-Modus

ILS (Integrated Lighting System) bietet 4 Modi, die mit dem GigBAR MOVE+ILS synchronisiert werden: Modi 1 und 3 synchronisieren mit Seite 1 des GigBAR MOVE+ILS, wohingegen Modi 2 und 4 mit Seite 2 des GigBAR MOVE+ILS synchronisiert werden. Bei einer Verknüpfung werden die Effekte mit dem ähnlichsten Effekt an der ausgewählten Seite des GigBAR MOVE+ILS synchronisiert: Kinta-Effekte werden mit einem der Kinta-Geräten synchronisiert, Moving Heads mit einem der Moving Heads und Wash-Effekte mit einer der PAR-Kannen. Laser-Effekte werden mit dem Laser synchronisiert und Stroboskopeffekte mit den Stroboskopeffekten, unabhängig vom ILS-Modus.

Dieses Gerät wird mit den par an der ausgewählten Seite des GigBAR MOVE+ILS.

So konfigurieren Sie den COLORband PiX ILS für die Reaktion auf ein ILS-Signal:

1. Drücken Sie wiederholt auf **<MENU>** bis **iLS_** auf der Anzeige angezeigt wird.
2. Verwenden Sie **<UP>** oder **<DOWN>** um aus **iLS1** (Seite 1), **iLS2** (Seite 2), **iLS3** (Seite 1), oder **iLS4** (Seite 2) auswählen.
3. Drücken Sie **<ENTER>**

DMX-Werte

	3-Ch	4-Ch	6-Ch	7-Ch	8-Ch	9-Ch	12Ch	18Ch	36Ch	41Ch
Kontroll	Pixel	Volle	Pixel	Volle	Volle	Pixel	Pixel	Pixel	Pixel	Volle
Zonen	1	1	2	1	1	3	4	6	12	12

Volle Steuerungsmodi

4-Ch	7-Ch	8-Ch	41Ch	Funktion	Wert	Prozent/Einstellung			
1	1	1	1	Rot 1	000 ⇔ 255	0-100%			
2	2	2	2	Grün 1					
3	3	3	3	Blau 1					
-	-	-	4	Rot 2	000 ⇔ 255	0-100%			
			5	Grün 2					
			6	Blau 2					
			-	-	-	7	Rot 3	000 ⇔ 255	0-100%
						8	Grün 3		
						9	Blau 3		
			-	-	-	10	Rot 4	000 ⇔ 255	0-100%
						11	Grün 4		
						12	Blau 4		
			-	-	-	13	Rot 5	000 ⇔ 255	0-100%
						14	Grün 5		
						15	Blau 5		
-	-	-	16	Rot 6	000 ⇔ 255	0-100%			
			17	Grün 6					
			18	Blau 6					
-	-	-	19	Rot 7	000 ⇔ 255	0-100%			
			20	Grün 7					
			21	Blau 7					
-	-	-	22	Rot 8	000 ⇔ 255	0-100%			
			23	Grün 8					
			24	Blau 8					
-	-	-	25	Rot 9	000 ⇔ 255	0-100%			
			26	Grün 9					
			27	Blau 9					
-	-	-	28	Rot 10	000 ⇔ 255	0-100%			
			29	Grün 10					
			30	Blau 10					
-	-	-	31	Rot 11	000 ⇔ 255	0-100%			
			32	Grün 11					
			33	Blau 11					
-	-	-	34	Rot 12	000 ⇔ 255	0-100%			
			35	Grün 12					
			36	Blau 12					
-	4	4	37	Farbmakros	000 ⇔ 014	Keine Funktion			
					015 ⇔ 255	Farbmakros			

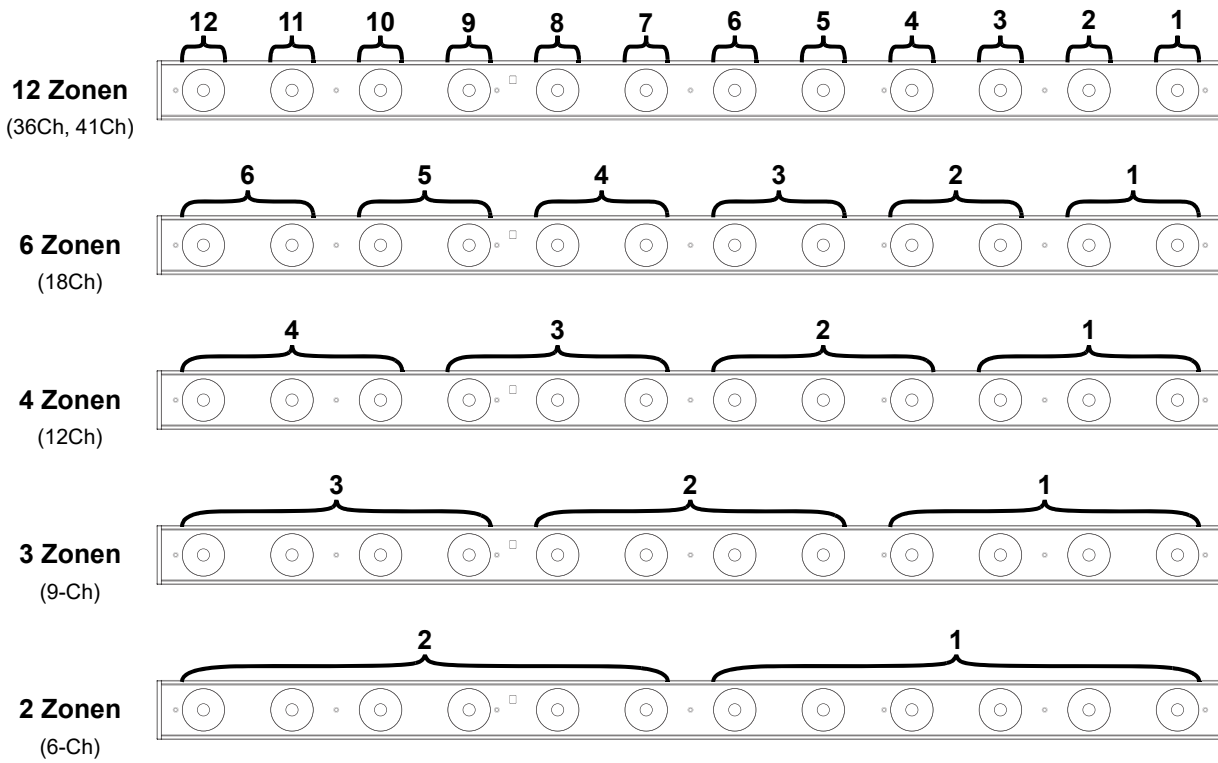
4-Ch	7-Ch	8-Ch	41Ch	Funktion	Wert	Prozent/Einstellung
-	5	5	38	Stroboskop (wenn K. 6/39 ist 000 ⇔ 031)	000 ⇔ 015	Keine Funktion
					016 ⇔ 255	Stroboskop, langsam bis schnell
				Programmgeschwindigkeit (wenn K. 6/39 ist 032 ⇔ 223/229)	000 ⇔ 255	Programmgeschwindigkeit, langsam bis schnell
					000 ⇔ 010	Musikempfindlichkeit aus
				Musikempfindlichkeit (wenn K. 6/39 ist 224/230 ⇔ 255)	011 ⇔ 255	Musikempfindlichkeit, niedrig bis hoch
					000 ⇔ 031	Keine Funktion
-	-	6	39	Programm	032 ⇔ 063	Pulseffekt, 0-100%
					064 ⇔ 095	Pulseffekt, 100-0%
					096 ⇔ 114	Pulseffekt, 100-0-100%
					115 ⇔ 119	Automatische Programm 1
					120 ⇔ 124	Automatische Programm 2
					125 ⇔ 129	Automatische Programm 3
					130 ⇔ 134	Automatische Programm 4
					135 ⇔ 139	Automatische Programm 5
					140 ⇔ 144	Automatische Programm 6
					145 ⇔ 149	Automatische Programm 7
					150 ⇔ 154	Automatische Programm 8
					155 ⇔ 159	Automatische Programm 9
					160 ⇔ 164	Automatische Programm 10
					165 ⇔ 169	Automatische Programm 11
					170 ⇔ 174	Automatische Programm 12
					175 ⇔ 179	Automatische Programm 13
					180 ⇔ 184	Automatische Programm 14
					185 ⇔ 189	Automatische Programm 15
					190 ⇔ 194	Automatische Programm 16
					195 ⇔ 199	Automatische Programm 17
					200 ⇔ 204	Automatische Programm 18
					205 ⇔ 209	Automatische Programm 19
					210 ⇔ 214	Automatische Programm 20
215 ⇔ 219	Automatische Programm 21					
220 ⇔ 224	Automatische Programm 22					
225 ⇔ 229	Automatische Programm 23					
230 ⇔ 255	Musiksteuerungsprogramm					
-	6	-	-	Programm	000 ⇔ 031	Keine Funktion
					032 ⇔ 063	Pulseffekt, 0-100%
					064 ⇔ 095	Pulseffekt, 100-0%
					096 ⇔ 114	Pulseffekt, 100-0-100%
					115 ⇔ 127	Automatische Sequenz
					128 ⇔ 159	Automatische Fade
					160 ⇔ 191	Automatische 3-Farben Snap
					192 ⇔ 223	Automatische 7-Farben Snap
224 ⇔ 255	Musiksteuerungsprogramm					
4	7	7	40	Dimmer	000 ⇔ 255	0-100%

4-Ch	7-Ch	8-Ch	41Ch	Funktion	Wert	Prozent/Einstellung
-	-	8	41	Dimmargeschwindigkeit	000 ⇔ 051	Dimmargeschwindigkeit von Anzeige eingestellt
					052 ⇔ 101	Dimmargeschwindigkeit-Modus aus
					102 ⇔ 152	Dimmargeschwindigkeit-Modus 1 (schnell)
					153 ⇔ 203	Dimmargeschwindigkeit-Modus 2 (mittelschnell)
					204 ⇔ 255	Dimmargeschwindigkeit-Modus 3 (langsam)

Pixel Control Modes

3-Ch	6-Ch	9-Ch	12Ch	18Ch	36Ch	Funktion	Wert	Prozent/Einstellung
1	1	1	1	1	1	Rot 1	000 ⇔ 255	0-100%
2	2	2	2	2	Grün 1	Zone 1		
3	3	3	3	3	Blau 1			
4	4	4	4	4	4	Rot 2	000 ⇔ 255	0-100%
5	5	5	5	5	Grün 2	Zone 2		
6	6	6	6	6	Blau 2			
7	7	7	7	7	7	Rot 3	000 ⇔ 255	0-100%
8	8	8	8	8	Grün 3	Zone 3		
9	9	9	9	9	Blau 3			
10	10	10	10	10	10	Rot 4	000 ⇔ 255	0-100%
11	11	11	11	11	Grün 4	Zone 4		
12	12	12	12	12	Blau 4			
13	13	13	13	13	13	Rot 5	000 ⇔ 255	0-100%
14	14	14	14	14	Grün 5	Zone 5		
15	15	15	15	15	Blau 5			
16	16	16	16	16	16	Rot 6	000 ⇔ 255	0-100%
17	17	17	17	17	Grün 6	Zone 6		
18	18	18	18	18	Blau 6			
19	19	19	19	19	19	Rot 7	000 ⇔ 255	0-100%
20	20	20	20	20	Grün 7	Zone 7		
21	21	21	21	21	Blau 7			
22	22	22	22	22	22	Rot 8	000 ⇔ 255	0-100%
23	23	23	23	23	Grün 8	Zone 8		
24	24	24	24	24	Blau 8			
25	25	25	25	25	25	Rot 9	000 ⇔ 255	0-100%
26	26	26	26	26	Grün 9	Zone 9		
27	27	27	27	27	Blau 9			
28	28	28	28	28	28	Rot 10	000 ⇔ 255	0-100%
29	29	29	29	29	Grün 10	Zone 10		
30	30	30	30	30	Blau 10			
31	31	31	31	31	31	Rot 11	000 ⇔ 255	0-100%
32	32	32	32	32	Grün 11	Zone 11		
33	33	33	33	33	Blau 11			
34	34	34	34	34	34	Rot 12	000 ⇔ 255	0-100%
35	35	35	35	35	Grün 12	Zone 12		
36	36	36	36	36	Blau 12			

Zonen für DMX-Steuerung



Informazioni sulla Guida

La Guida Rapida COLORband PiX ILS contiene informazioni di base sul prodotto quali montaggio, opzioni menù e valori DMX.

Esclusione di responsabilità

Le informazioni e le specifiche contenute in questa guida possono essere modificate senza preavviso.

GARANZIA LIMITATA

PER LA REGISTRAZIONE DELLA GARANZIA ED I TERMINI E CONDIZIONI COMPLETI VISITARE IL NOSTRO SITO WEB.

Per clienti di Stati Uniti e Messico consultare: www.chauvetlighting.com/warranty-registration.

Per clienti di Regno Unito, Repubblica di Irlanda, Belgio, Paesi Bassi, Lussemburgo, Francia e Germania: www.chauvetlighting.eu/warranty-registration.

Chauvet garantisce che i propri prodotti, in condizioni di utilizzo normale, sono esenti da difetti di materiali e manodopera, per il periodo specificato e con le esclusioni e limitazioni riportate nella garanzia integrale limitata sul proprio sito Web. Tale garanzia si applica soltanto all'acquirente originario del prodotto e non può essere trasferita. Per esercitare i propri diritti secondo i termini della presente garanzia è necessario fornire prova dell'acquisto sotto forma di ricevuta o fattura originale di un distributore autorizzato che riporti chiaramente il nome del prodotto e la data di acquisto. **NON SONO PREVISTE ALTRE GARANZIE ESPRESSE O IMPLICITE.** Questa garanzia prevede diritti legali specifici. È comunque possibile avere altri diritti che variano da stato a stato e da paese a paese. Questa garanzia si applica soltanto negli Stati Uniti, Regno Unito, e pubblica di Irlanda, Belgio, Paesi Bassi, Lussemburgo, Francia, Germania e Messico. Per i termini di garanzia vigenti in altri paesi si prega di consultare il distributore locale.

Note di Sicurezza

Le Note di Sicurezza includono informazioni importanti circa il montaggio, l'uso e la manutenzione.



- Collegare questa unità **SOLTANTO** ad un circuito dotato di messa a terra e protetto.
- Prima di effettuare la pulizia o sostituire il fusibile, scollegare sempre l'unità dall'alimentazione elettrica.
- **NON** guardare la sorgente luminosa quando l'unità è in funzione.
- Assicurarsi che il cavo di alimentazione non sia piegato o danneggiato.
- Non scollegare mai questa apparecchiatura dall'alimentazione elettrica tirando il cavo.
- Per il montaggio in alto dell'unità utilizzare **SEMPRE** un cavo di sicurezza.
- **NON** collocare materiale infiammabile vicino all'unità mentre è in funzione.
- **NON** toccare l'unità durante il funzionamento perché potrebbe essere molto calda.
- La tensione della presa a muro cui si collega l'apparecchiatura deve trovarsi entro il campo specificato sull'etichetta o sul pannello posteriore.
- Questa apparecchiatura deve essere utilizzata soltanto in interni (IP20)! Per evitare il rischio di incendio o di folgorazione non esporre l'apparecchiatura alla pioggia o all'umidità.
- Montare sempre l'unità in posizione ben ventilata, ad almeno 50 cm. (20") da qualsiasi superficie.
- Assicurarsi che nessuna apertura di ventilazione dell'unità sia ostruita.
- Non collegare mai ad un dimmer o ad un reostato.
- Sostituire il fusibile con un altro dello stesso tipo e classe.
- Prendere e trasportare l'unità **SOLTANTO** dalla staffa per il montaggio sospeso o dalle maniglie.
- Massima temperatura ambiente ammessa: 40 °C (104 °F). Non utilizzare l'unità a temperature superiori.
- In caso di gravi problemi di funzionamento sospendere immediatamente l'utilizzo.
- **NON** aprire l'unità. Non contiene parti riparabili dall'utente.
- Per evitare un consumo inutile ed aumentare la durata, durante i periodi di non utilizzo disconnettere completamente il prodotto dall'alimentazione con l'interruttore o scollegando il cavo.



Contatti

Per richiedere assistenza o restituire l'apparecchiatura, al di fuori di Stati Uniti, Regno Unito, Irlanda, Benelux, Francia, Germania, o Messico contattare il distributore locale. Per informazioni sui contatti, fare riferimento a [Contact Us](#) sul retro di questo GR.

Che cosa è incluso

- COLORband PiX ILS
- Cavo di alimentazione
- Staffa di montaggio
- Guida Rapida

Per iniziare

Disimballare COLORband PiX ILS ed accertarsi di aver ricevuto tutti i componenti integri. Se l'imballo appare danneggiato, farlo immediatamente presente al trasportatore e non a Chauvet.

Alimentazione CA

Questa unità è dotata di alimentatore a commutazione automatica con tensione in ingresso di 100–240 V CA, 50/60 Hz.



Per evitarne l'eccessiva usura e migliorarne la durata nel tempo, scollegare l'unità dalla presa elettrica o disattivare l'alimentazione tramite l'apposito interruttore, se inutilizzata per lunghi periodi.

Collegamento

È possibile collegare fino a 19 prodotti COLORband PiX ILS a 120 V o fino a 35 prodotti COLORband PiX ILS a 230 V.

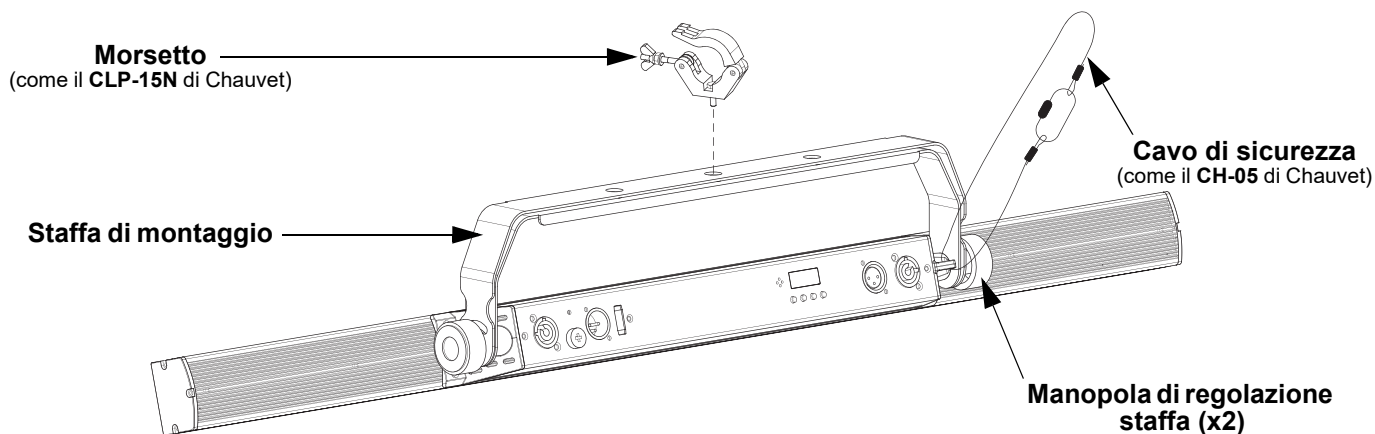
Sostituzione fusibile

1. Scollegare l'alimentazione elettrica dall'unità.
2. Utilizzando un giravite a croce, allentare il porta-fusibile e tirarlo verso l'esterno.
3. Rimuovere il fusibile bruciato e sostituirlo con uno identico.
4. Reinscrivere il porta-fusibile e ricollegare l'alimentazione elettrica.

Montaggio

Prima di montare l'unità, leggere le [Note di Sicurezza](#).

Schema di montaggio



Descrizione del pannello di controllo

Pulsante	Funzione
<MENU>	Consente di uscire dal menù o dalla funzione corrente
<UP>	Consente di spostarsi verso l'alto nell'elenco menù e di aumentare il valore numerico all'interno di una funzione
<DOWN>	Consente di spostarsi verso il basso nell'elenco menù e di diminuire il valore numerico all'interno di una funzione
<ENTER>	Consente di attivare il menù visualizzato o impostare il valore selezionato nella funzione selezionata

Mappa menu

Fare riferimento alla pagina del prodotto COLORband PiX ILS su www.chauvetdj.com per la mappa dei menu più recente.

Modalità	Livelli di programmazione		Descrizione	
Modalità DMX	3-Ch	d 1-510	Modalità DMX 3 canali e 1-zona	
	4-Ch	d 1-509	Modalità DMX 4 canali e 1-zona	
	6-Ch	d 1-507	Modalità DMX 6 canali e 2-zone	
	7-Ch	d 1-506	Modalità DMX 7 canali e 1-zona	
	8-Ch	d 1-505	Modalità DMX 8 canali e 1-zona	
	9-Ch	d 1-504	Modalità DMX 9 canali e 3-zone	
	12Ch	d 1-501	Modalità DMX 12 canali e 4-zone	
	18Ch	d 1-495	Modalità DMX 18 canali e 6-zone	
	36Ch	d 1-477	Modalità DMX 36 canali e 12-zone	
41Ch	d 1-472	Modalità DMX 41 canali e 12-zone		
Modalità ILS	iLS	iLS1-4	Imposta la modalità ILS	
Colore	C--	C 1-7	Colore statico	
Programma	P--	P 1-23	Programma automatico	
Velocità	S--	S. 1-100	Velocità del programma automatico	
Sonora	Snd	Snd	Programma attivazione sonore	
Sensibilità	SenS	u 0-100	Sensibilità sonora	
Modalità Manuale	U--	r. 0-255	Combinazione di rosso, verde, e blu per un colore statico personalizzato	
		G. 0-255		
		b. 0-255		
Velocità dimmer	dIM	oFF	Impostazioni velocità dimmer	
		dIM1-3		
Controllo RF	SEt	RF	oFF	Disattivazione a telecomando RFC
			Link	Effettua il collegamento a un telecomando singolo tenendo premuto <freeze>, (RFC) o <BLACK OUT> (RFC-XL) finché sul display non appare PASS (eseguito) o ErrO (errore)
			PubL	Modo pubblico, comando con qualsiasi telecomando RFC o RFC-XL
			GP1-4	Imposta un gruppo di ricezione telecomando RFC-XL
		REST	Carica le impostazioni di fabbrica	

Collegamento DMX

COLORband PiX ILS può funzionare con un controller DMX. Se non si ha familiarità con il DMX, scaricare DMX Primer all'indirizzo www.chauvetdj.com.

Indirizzo iniziale

Per assicurare il completo accesso a tutti i canali in ciascuna modalità DMX, l'indirizzo maggiormente raccomandato è **472**.

Collegamento Master/Slave

In modalità Master/Slave, COLORband PiX ILS utilizza il collegamento dati DMX.

RFC (comando a radio frequenza) e RFC-XL

COLORband PiX ILS può essere usato con CHAUVET RFC e RFC-XL.

Connettività D-Fi USB

COLORband PiX ILS può diventare un ricetrasmittitore wireless D-Fi utilizzando il D-Fi USB di CHAUVET DJ. È sufficiente impostare il DIP switch del canale di ricezione/ trasmissione dell'unità, collegarla alla porta USB e poi impostare funzione e indirizzo DMX. .



ATTENZIONE! Nella porta USB collegare SOLO un D-Fi USB. In caso contrario l'unità potrebbe danneggiarsi.



Dopo il collegamento, D-Fi USB prende il controllo del prodotto. DMX cablato, controllo manuale del display / pulsanti del menù ed IRC-6 non saranno disponibili fino a quando D-Fi USB non verrà scollegato. I livelli di priorità sono:

1. D-Fi USB
2. DMX cablato
3. Telecomando IRC-6
4. Display digitale manuale / Pulsanti del menù

Modalità Master/Slave (D-Fi USB)

Il D-Fi USB consente a un singolo COLORband PiX ILS ("master") di controllare il funzionamento di uno o più COLORband PiX ILS ("slave") senza necessità di un controller DMX o cavi DMX. L'unità master (trasmettitore) sarà impostata per funzionare in modalità indipendente, mentre l'unità slave (ricevitore) sarà impostata per funzionare in modalità DMX. Una volta impostate e collegate, le unità slave funzioneranno in sincronia con l'unità master.

Configurare le unità come indicato di seguito.

Unità slave:

1. Premere <MENU> ripetutamente fino a visualizzare sul display **9-Ch**.
2. Premere <ENTER>.
3. Utilizzare <UP> oppure <DOWN> per impostare l'indirizzo iniziale su **d 1**.
4. Premere <ENTER>.
5. Impostare il D-Fi USB per ricevere su un canale specifico, 1-16.
6. Collegare il D-Fi USB.
7. Terminare l'impostazione e il collegamento di tutte le unità slave.

Unità master:

1. Impostare l'unità master per il funzionamento in modalità indipendente.
2. Impostare il D-Fi USB per trasmettere sul canale D-Fi su cui le unità slave stanno ricevendo.
3. Collegare il D-Fi USB.
 - **Tutte le unità devono avere la stessa impostazione della caratteristica DMX, lo stesso indirizzo DMX e lo stesso canale D-Fi.**
 - **Per trasmettere, configurare tutte le unità slave prima di configurare l'unità master**
 - **Non collegare mai un controller DMX a un canale D-Fi configurato per il funzionamento Master/Slave perché potrebbe interferire con i segnali del master.**



Modalità ILS

ILS (Sistema di illuminazione integrato) fornisce 4 modalità che si sincronizzano con la GigBAR MOVE+ILS: Modalità 1 e 3 si sincronizzano con il lato 1 della GigBAR MOVE+ILS, mentre le modalità 2 e 4 si sincronizzano con il lato 2 della GigBAR MOVE+ILS. Quando collegati, gli effetti si sincronizzeranno con l'effetto più simile sul lato selezionato della GigBAR MOVE+ILS: gli effetti Kinta si sincronizzeranno con uno dei Kinta, le teste mobili si sincronizzeranno con una delle teste mobili, e gli effetti wash si sincronizzeranno con uno dei par. Gli effetti laser si sincronizzeranno con il laser e gli effetti stroboscopici si sincronizzeranno con gli effetti stroboscopici indipendentemente dalla modalità ILS.

Questo prodotto si sincronizzerà con par sul lato selezionato di GigBAR MOVE+ILS.

Per impostare COLORband PiX ILS in modo che risponda ad un segnale ILS:

1. Premere <MENU> ripetutamente fino a visualizzare sul display **iLS_**.
2. Utilizzare <UP> oppure <DOWN> per selezionare da **iLS1** (lato 1), **iLS2** (lato 2), **iLS3** (lato 1), o **iLS4** (lato 2).
3. Premere <ENTER>.

Valori DMX

	3-Ch	4-Ch	6-Ch	7-Ch	8-Ch	9-Ch	12Ch	18Ch	36Ch	41Ch
Controllo	Pixel	Completo	Pixel	Completo	Completo	Pixel	Pixel	Pixel	Pixel	Completo
Zone	1	1	2	1	1	3	4	6	12	12

Modalità di controllo completo

4-Ch	7-Ch	8-Ch	41Ch	Funzione	Valore	Percentuale/Impostazione
1	1	1	1	Rosso 1	000 ⇔ 255	0-100%
2	2	2	2	Verde 1		
3	3	3	3	Blu 1		
-	-	-	4	Rosso 2	000 ⇔ 255	0-100%
			5	Verde 2		
			6	Blu 2		
			7	Rosso 3	000 ⇔ 255	0-100%
			8	Verde 3		
			9	Blu 3		
			10	Rosso 4	000 ⇔ 255	0-100%
			11	Verde 4		
			12	Blu 4		
			13	Rosso 5	000 ⇔ 255	0-100%
			14	Verde 5		
			15	Blu 5		
			16	Rosso 6	000 ⇔ 255	0-100%
			17	Verde 6		
			18	Blu 6		
			19	Rosso 7	000 ⇔ 255	0-100%
			20	Verde 7		
			21	Blu 7		
			22	Rosso 8	000 ⇔ 255	0-100%
			23	Verde 8		
			24	Blu 8		
			25	Rosso 9	000 ⇔ 255	0-100%
			26	Verde 9		
			27	Blu 9		
-	-	-	28	Rosso 10	000 ⇔ 255	0-100%
			29	Verde 10		
			30	Blu 10		
			31	Rosso 11	000 ⇔ 255	0-100%
			32	Verde 11		
			33	Blu 11		
			34	Rosso 12	000 ⇔ 255	0-100%
			35	Verde 12		
			36	Blu 12		
-	4	4	37	Macro colori	000 ⇔ 014	Nessuna funzione
					015 ⇔ 255	Macro colori

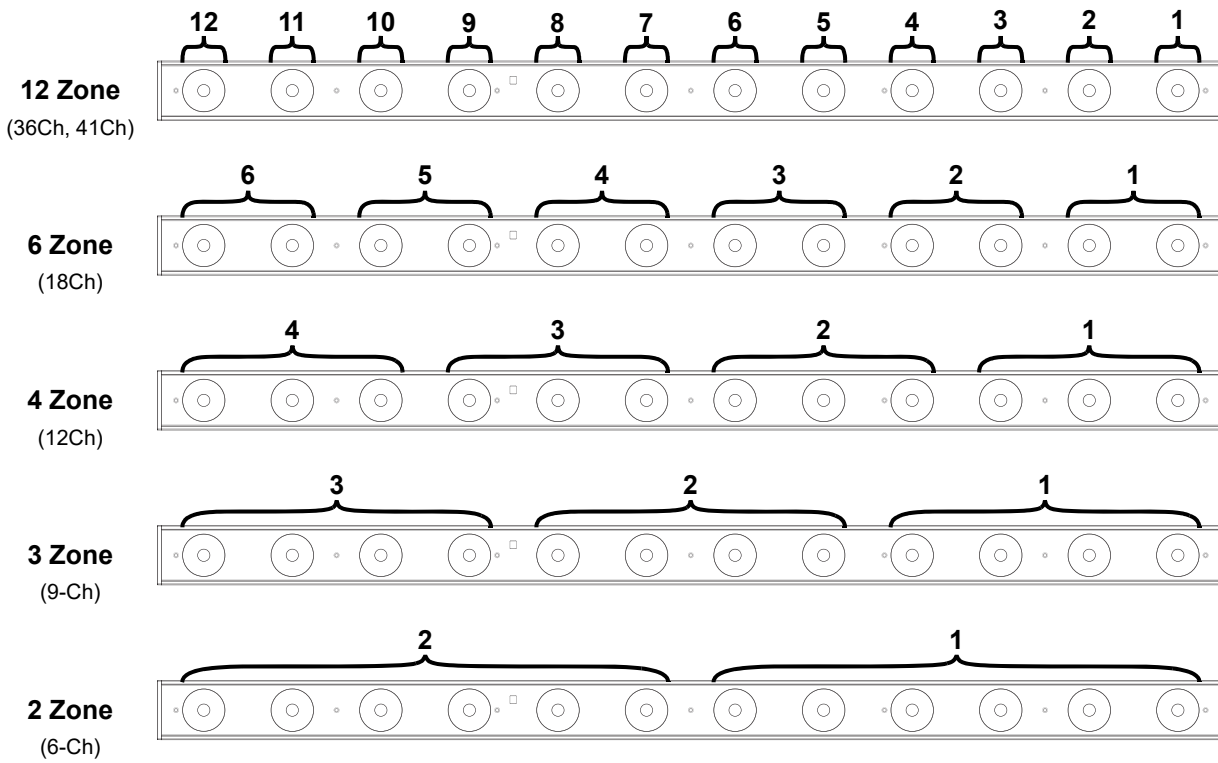
4-Ch	7-Ch	8-Ch	41Ch	Funzione	Valore	Percentuale/Impostazione
-	5	5	38	Stroboscopio (in Can. 6/39 é 000 ⇔ 031)	000 ⇔ 015	Nessuna funzione
					016 ⇔ 255	Stroboscopio, da lento a veloce
				Velocità programma (in Can. 6/39 é 032 ⇔ 223/229)	000 ⇔ 255	Velocità programma, da lento a veloce
					Sensibilità sonora (in Can. 6/39 é 224/230 ⇔ 255)	000 ⇔ 010
				011 ⇔ 255		Sensibilità sonora, da basso ad alto
				-	-	6
032 ⇔ 063	Effetto pulsato, 0-100%					
064 ⇔ 095	Effetto pulsato, 100-0%					
096 ⇔ 114	Effetto pulsato, 100-0-100%					
115 ⇔ 119	Programma automatico 1					
120 ⇔ 124	Programma automatico 2					
125 ⇔ 129	Programma automatico 3					
130 ⇔ 134	Programma automatico 4					
135 ⇔ 139	Programma automatico 5					
140 ⇔ 144	Programma automatico 6					
145 ⇔ 149	Programma automatico 7					
150 ⇔ 154	Programma automatico 8					
155 ⇔ 159	Programma automatico 9					
160 ⇔ 164	Programma automatico 10					
165 ⇔ 169	Programma automatico 11					
170 ⇔ 174	Programma automatico 12					
175 ⇔ 179	Programma automatico 13					
180 ⇔ 184	Programma automatico 14					
185 ⇔ 189	Programma automatico 15					
190 ⇔ 194	Programma automatico 16					
195 ⇔ 199	Programma automatico 17					
200 ⇔ 204	Programma automatico 18					
205 ⇔ 209	Programma automatico 19					
210 ⇔ 214	Programma automatico 20					
215 ⇔ 219	Programma automatico 21					
220 ⇔ 224	Programma automatico 22					
225 ⇔ 229	Programma automatico 23					
230 ⇔ 255	Programma attivato dal suono					
-	6	-	-	Programma	000 ⇔ 031	Nessuna funzione
					032 ⇔ 063	Effetto pulsato, 0-100%
					064 ⇔ 095	Effetto pulsato, 100-0%
					096 ⇔ 114	Effetto pulsato, 100-0-100%
					115 ⇔ 127	Sequenza automatica
					128 ⇔ 159	Dissolvenza automatico
					160 ⇔ 191	Cambio automatico a 3 colori
					192 ⇔ 223	Cambio automatico a 7 colori
224 ⇔ 255	Programma attivato dal suono					
4	7	7	40	Dimmer	000 ⇔ 255	0-100%

4-Ch	7-Ch	8-Ch	41Ch	Funzione	Valore	Percentuale/Impostazione
-	-	8	41	Velocità dimmer	000 ⇔ 051	Velocità dimmer impostata da display
					052 ⇔ 101	Modalità dimmer disattivata
					102 ⇔ 152	Modalità velocità dimmer 1 (veloce)
					153 ⇔ 203	Modalità velocità dimmer 2 (media)
					204 ⇔ 255	Modalità velocità dimmer 3 (lenta)

Modalità di controllo dei pixel

3-Ch	6-Ch	9-Ch	12Ch	18Ch	36Ch	Funzione		Valore	Percentuale/Impostazione
1	1	1	1	1	1	Rosso 1	Zona 1	000 ⇔ 255	0-100%
2	2	2	2	2	Verde 1	000 ⇔ 255		0-100%	
3	3	3	3	3	Blu 1	000 ⇔ 255		0-100%	
	4	4	4	4	4	Rosso 2	Zona 2	000 ⇔ 255	0-100%
	5	5	5	5	Verde 2	000 ⇔ 255		0-100%	
	6	6	6	6	Blu 2	000 ⇔ 255		0-100%	
	7	7	7	7	7	Rosso 3	Zona 3	000 ⇔ 255	0-100%
	8	8	8	8	Verde 3	000 ⇔ 255		0-100%	
	9	9	9	9	Blu 3	000 ⇔ 255		0-100%	
		10	10	10	10	Rosso 4	Zona 4	000 ⇔ 255	0-100%
		11	11	11	Verde 4	000 ⇔ 255		0-100%	
		12	12	12	Blu 4	000 ⇔ 255		0-100%	
			13	13	13	Rosso 5	Zona 5	000 ⇔ 255	0-100%
			14	14	Verde 5	000 ⇔ 255		0-100%	
			15	15	Blu 5	000 ⇔ 255		0-100%	
			16	16	16	Rosso 6	Zona 6	000 ⇔ 255	0-100%
			17	17	Verde 6	000 ⇔ 255		0-100%	
			18	18	Blu 6	000 ⇔ 255		0-100%	
				19	19	Rosso 7	Zona 7	000 ⇔ 255	0-100%
				20	Verde 7	000 ⇔ 255		0-100%	
				21	Blu 7	000 ⇔ 255		0-100%	
				22	22	Rosso 8	Zona 8	000 ⇔ 255	0-100%
				23	Verde 8	000 ⇔ 255		0-100%	
				24	Blu 8	000 ⇔ 255		0-100%	
				25	25	Rosso 9	Zona 9	000 ⇔ 255	0-100%
				26	Verde 9	000 ⇔ 255		0-100%	
				27	Blu 9	000 ⇔ 255		0-100%	
				28	28	Rosso 10	Zona 10	000 ⇔ 255	0-100%
				29	Verde 10	000 ⇔ 255		0-100%	
				30	Blu 10	000 ⇔ 255		0-100%	
				31	31	Rosso 11	Zona 11	000 ⇔ 255	0-100%
				32	Verde 11	000 ⇔ 255		0-100%	
				33	Blu 11	000 ⇔ 255		0-100%	
				34	34	Rosso 12	Zona 12	000 ⇔ 255	0-100%
				35	Verde 12	000 ⇔ 255		0-100%	
				36	Blu 12	000 ⇔ 255		0-100%	

Zone per controllo DMX



Over deze handleiding

De COLORband PiX ILS Beknopte Handleiding bevat basisinformatie over het product, zoals montage, menu-opties en DMX-waarden.

Disclaimer

De informatie en specificaties in deze beknopte handleiding kunnen zonder voorafgaande kennisgeving worden gewijzigd.

BEPERKTE GARANTIE

GA NAAR ONZE WEBSITE VOOR REGISTRATIE VAN DE GARANTIE EN DE VOLLEDIGE ALGEMENE VOORWAARDEN.

Voor klanten in de Verenigde Staten en Mexico: www.chauvetlighting.com/warranty-registration.

Voor klanten in het Verenigd Koninkrijk, Ierland, België, Nederland, Luxemburg, Frankrijk en Duitsland: www.chauvetlighting.eu/warranty-registration.

Chauvet garandeert dat dit product bij normaal gebruik vrij zal blijven van defecten in materiaal en vakmanschap, voor de opgegeven periode en onder voorbehoud van de uitzonderingen en beperkingen die zijn uiteengezet in de volledige beperkte garantie op onze website. Deze garantie geldt uitsluitend voor de oorspronkelijke koper van het product en is niet overdraagbaar. Om onder deze garantie rechten uit te oefenen, moet u een aankoopbewijs overleggen in de vorm van een origineel verkoopbewijs van een geautoriseerde dealer, waarop de naam van het product en de aankoopdatum zichtbaar zijn. ER ZIJN GEEN ANDERE EXPLICIETE OF IMPLICIETE GARANTIES. Deze garantie geeft u specifieke wettelijke rechten. Mogelijk heeft u ook andere rechten die van staat tot staat en van land tot land verschillen. Deze garantie is uitsluitend geldig in de Verenigde Staten, het Verenigd Koninkrijk, Ierland, België, Nederland, Luxemburg, Frankrijk, Duitsland en Mexico. Neem contact op met uw lokale verkoper voor garantievoorwaarden in andere landen.

Veiligheidsinstructies

Deze veiligheidsinstructies bevatten belangrijke informatie over de installatie, het gebruik en het onderhoud.



- Sluit dit product UITSLUITEND op een geaard en beveiligd stroomcircuit.
- Haal voor het vervangen van de zekering altijd de stekker van het product uit het stopcontact.
- KIJK NIET in de lichtbron wanneer het apparaat is ingeschakeld.
- Zorg ervoor dat het stroomsnoer niet knikt of beschadigd.
- Koppel dit product nooit los van het stopcontact door aan het snoer te trekken.
- Gebruik een veiligheidskabel wanneer het product boven lichaamshoogte wordt gemonteerd.
- GEEN brandbare materialen in de buurt van de unit tijdens gebruik.
- RAAK het product NIET AAN wanneer het in werking omdat het dan heet zijn.



- De spanning van het stopcontact waarop u dit product aansluit moet binnen het vermelde bereik op de sticker of achterkant van het product zijn.
- Het product is alleen voor gebruik binnenshuis! (IP20) Om risico op brand of elektrische schokken te voorkomen, mag dit product niet aan regen of vocht worden blootgesteld.
- Monteer dit product altijd op een plek met voldoende ventilatie, minstens 20 inch (50 cm) van de aangrenzende oppervlakken.
- Zorg ervoor dat er geen ventilatie-openingen van de behuizing van het product worden geblokkeerd.
- Sluit dit product nooit aan op een dimmer of een regelweerstand.
- Vervang de zekering met een van hetzelfde type en met dezelfde waarde.
- Gebruik UITSLUITEND de ophang-/montagebeugel of de hendels om dit product te dragen.
- De maximale omgevingstemperatuur bedraagt 40 °C. Gebruik dit product niet bij hogere temperaturen.
- Stop in het geval van ernstige operationele problemen onmiddellijk met het gebruik.
- Open het product NIET. Het bevat geen te onderhouden onderdelen.
- Om onnodige slijtage te elimineren en zijn levensduur te verlengen, gedurende perioden wanneer het product niet wordt gebruikt, moet u het product afsluiten door een aardlekschakelaar om te zetten of door het te ontkoppelen.

Contact

Van buiten de VS, Verenigd Koninkrijk, Ierland, Benelux, Frankrijk, Duitsland of Mexico kunt u contact opnemen met de distributeur of om ondersteuning vragen dan wel het product retourneren. Raadpleeg [Contact Us](#) aan het einde van deze beknopte handleiding voor contactinformatie.

Wat is inbegrepen

- COLORband PiX ILS
- Stroomsnoer
- Montagebeugel
- Beknopte handleiding

Om te beginnen

Pak uw COLORband PiX ILS uit en zorg ervoor dat u alle onderdelen in goede staat hebt ontvangen. Als de doos of inhoud beschadigd lijkt, stel dan de vervoerder onmiddellijk op de hoogte, niet Chauvet.

AC-stroom

Dit product heeft een voeding met automatisch bereik die werkt met een ingangsspanning van 100–240 VAC, 50/60 Hz.



Om onnodige slijtage te elimineren en zijn levensduur te verlengen, gedurende perioden wanneer het product niet wordt gebruikt, moet u het product afsluiten door een aardlekschakelaar om te zetten of door het te ontkoppelen.

Power Linking

Het is mogelijk tot 19 COLORband PiX ILS-producten koppelen bij 120 V of 35 COLORband PiX ILS-producten bij 230 V.

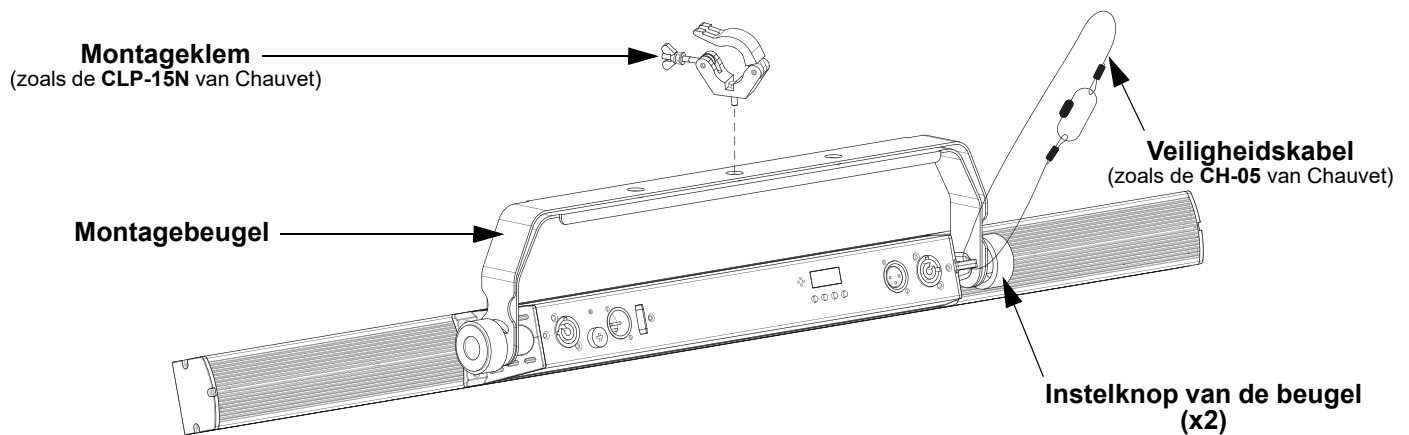
Vervangen van de zekering

1. Ontkoppel het apparaat van de stroom.
2. Gebruik een kruiskopschroevendraaier, maak de zekeringshouder los en trek hem er recht uit.
3. Verwijder de doorgebrande zekering uit de houder en vervang deze door een zekering van exact hetzelfde type en vermogen.
4. Plaats de zekeringhouder terug en steek de stekker er weer in.

Montage

Lees alvorens dit product te monteren alle [Veiligheidsinstructies](#).

Montagediagram



Beschrijving bedieningspaneel

Toets	Functie
<MENU>	Sluit het huidige menu of functie af
<UP>	Navigeert omhoog via het menu of verhoogt de numerieke waarde wanneer in een functie
<DOWN>	Navigeert omlaag via het menu of verlaagt de numerieke waarde wanneer in een functie
<ENTER>	Activeert het huidige getoonde menu of plaatst de huidige geselecteerde waarde in de geselecteerde functie

Menukaart

 Raadpleeg de productpagina van COLORband PiX ILS op www.chauvetdj.com voor de nieuwste menukaart.

Modus	Programmeerniveaus		Beschrijving	
DMX Modus	3-Ch	d 1-510	3-kanalen, 1-zone DMX-modus	
	4-Ch	d 1-509	4-kanalen, 1-zone DMX-modus	
	6-Ch	d 1-507	6-kanalen, 2-zone DMX-modus	
	7-Ch	d 1-506	7-kanalen, 1-zone DMX-modus	
	8-Ch	d 1-505	8-kanalen, 1-zone DMX-modus	
	9-Ch	d 1-504	9-kanalen, 3-zone DMX-modus	
	12Ch	d 1-501	12-kanalen, 4-zone DMX-modus	
	18Ch	d 1-495	18-kanalen, 6-zone DMX-modus	
	36Ch	d 1-477	36-kanalen, 12-zone DMX-modus	
41Ch	d 1-472	41-kanalen, 12-zone DMX-modus		
ILS Modus	iLS	iLS1-4	Stelt de ILS-modus in	
Kleur	C--	C 1-7	Statische kleur	
Programs	P--	P 1-23	Automatic programs	
Speed	S--	S. 1-100	Automatic program speed	
Geluidsmodus	Snd	Snd	Geluidsactieprogramma	
Gevoeligheid	SenS	u 0-100	Geluidsgevoeligheid	
Handmatige Modus	U--	r. 0-255	Combineer rood, groen, en blauw voor en aangepaste statische kleur	
		G. 0-255		
		b. 0-255		
Dimmer-snelheid	dIM	oFF	Stelt de dimmersnelheid in	
		dIM1-3		
RF besturing	SEt	RF	oFF	Schakelt RFC afstandsbediening uit
			Link	Koppel met een enkele afstandsbediening door freeze, (RFC) of BLACK OUT (RFC-XL) ingedrukt te houden totdat het display PASS (succes) of ErrO (mislukt) toont
			PubL	Openbare modus, bediening met elke RFC- of RFC-XL-afstandsbediening
			GP1-4	Stelt in op een RFC-XL-afstandsbediening-ontvangstgroep
		REST	Herstellen naar de fabrieksstandaard	

DMX-koppeling

De COLORband PiX ILS kan met een DMX-regelaar werken. Als u niet bekend bent met DMX, download dan de DMX-primer op www.chauvetdj.com.

Startadres

Om volledige toegang tot alle kanalen in elke DMX-modus te garanderen is het hoogste aanbevolen DMX-adres voor dit product **509**.

Master/slaaf-verbinding

De COLORband PiX ILS maakt gebruik van de DMX-gegevensverbinding voor haar Master-/Slaaf-modus.

RFC (Radio Frequency Control) en RFC-XL

De COLORband PiX ILS kan bediend worden met de CHAUVET RFC en RFC-XL.

D-Fi USB-connectiviteit

De COLORband PiX ILS kan door middel van de D-Fi USB van CHAUVET DJ een draadloze D-Fi zender/ontvanger worden. Stel simpelweg de DIP-schakelaar van het D-Fi zend-/ontvangstkanaal in, plaats het in de USB-poort en stel de DMX-persoonlijkheid en het DMX-adres van het product in.



Waarschuwing! NIETS anders dan een D-Fi-USB in de USB-poort plaatsen. Dit kan het product namelijk beschadigen.

Nadat het is aangesloten zal de D-Fi USB het product overnemen. Bedrade DMX, handmatige DMX-bediening/menuknoppen en IRC-6 zijn niet beschikbaar totdat u de D-Fi USB afkoppelt. De prioriteitsniveaus zijn:



1. D-Fi USB
2. Bedrade DMX
3. IRC-6 afstandsbediening
4. Handmatige digitale display/menuknoppen

Master/Slave-modus (D-Fi USB)

De D-Fi USB zorgt ervoor dat een enkel COLORband PiX ILS-product (de "master") de acties regelt van een of meer COLORband PiX ILS-producten (de "slaves") zonder de behoefte aan een DMX-regelaar of DMX-kabels. Het master-product (zender) wordt ingesteld om in de zelfstandige modus te werken, terwijl de slave-producten (ontvangers) ingesteld worden om in slave-modus te werken. Na instelling en aansluiting zullen de slaveproducten in harmonie met het masterproduct werken.

Configureer de producten zoals hieronder is aangegeven.

Slaaf-producten:

1. Druk herhaaldelijk op **<MENU>** totdat **9-Ch** weergegeven wordt op het display.
2. Druk op **<ENTER>**.
3. Gebruik **<UP>** of **<DOWN>** om het startadres in te stellen op **d 1**.
4. Druk op **<ENTER>**.
5. Stel de D-Fi USB in om op een specifiek kanaal, 1–16 te werken.
6. Sluit de D-Fi USB aan.
7. Voltooi het instellen en aansluiten van alle slaaf-producten.

Master-product:

1. Stel het masterproduct in om te werken in zelfstandige modus.
2. Stel D-Fi USB in om op het D-Fi-kanaal uit te zenden waar de slaves op ontvangen.
3. Sluit de D-Fi USB aan.



- Alle producten moeten op dezelfde DMX-persoonlijkheid, DMX-adres en D-Fi-kanaal ingesteld zijn.
- Configureer eerst alle slaveproducten voordat u de master configureert om uit te zenden.
- Sluit nooit een DMX-controller aan op een D-Fi-kanaal die is geconfigureerd voor Master/Slave functie, omdat de regelaar de signalen van de master kan verstoren.

ILS Mode

ILS (geïntegreerd verlichtingssysteem) biedt 4 modi die synchroniseren met de GigBAR MOVE+ILS: Modi 1 en 3 synchroniseren met zijde 1 van de GigBAR MOVE+ILS, terwijl modi 2 en 4 synchroniseren met zijde 2 van de GigBAR MOVE+ILS. Wanneer ze gekoppeld zijn, worden de effecten gesynchroniseerd met het meest vergelijkbare effect aan de geselecteerde zijde van de GigBAR MOVE+ILS: Kinta-effecten worden gesynchroniseerd met een van de kinta's, bewegende koppen worden gesynchroniseerd met een van de bewegende koppen en wash-effecten worden gesynchroniseerd met een van de pars. Lasereffecten worden gesynchroniseerd met de laser en stroboscoopeffecten worden gesynchroniseerd met de stroboscoopeffecten, ongeacht de ILS-modus.

Dit product wordt gesynchroniseerd met de par op de geselecteerde zijde van de GigBAR MOVE+ILS.

De COLORband PiX ILS instellen om te reageren op een ILS-sigitaal:

1. Druk herhaaldelijk op **<MENU>** totdat **iLS_** weergegeven wordt op het display.
2. Gebruik **<UP>** of **<DOWN>** te selecteren van **iLS1** (zijde 1), **iLS2** (zijde 2), **iLS3** (zijde 1), of **iLS4** (zijde 2).
3. Druk op **<ENTER>**.

DMX-waarden

	3-Ch	4-Ch	6-Ch	7-Ch	8-Ch	9-Ch	12Ch	18Ch	36Ch	41Ch
Besturing	Pixel	Volledige	Pixel	Volledige	Volledige	Pixel	Pixel	Pixel	Pixel	Volledige
Zones	1	1	2	1	1	3	4	6	12	12

Volledige besturingsmodi

4-Ch	7-Ch	8-Ch	41Ch	Functie	Waarde	Percentage/Instelling
1	1	1	1	Rood 1	000 ⇔ 255	0–100%
2	2	2	2	Groen 1		
3	3	3	3	Blauw 1		
-	-	-	4	Rood 2	000 ⇔ 255	0–100%
			5	Groen 2		
			6	Blauw 2		
			7	Rood 3	000 ⇔ 255	0–100%
			8	Groen 3		
			9	Blauw 3		
			10	Rood 4	000 ⇔ 255	0–100%
			11	Groen 4		
			12	Blauw 4		
			13	Rood 5	000 ⇔ 255	0–100%
			14	Groen 5		
			15	Blauw 5		
			16	Rood 6	000 ⇔ 255	0–100%
			17	Groen 6		
			18	Blauw 6		
			19	Rood 7	000 ⇔ 255	0–100%
			20	Groen 7		
			21	Blauw 7		
			22	Rood 8	000 ⇔ 255	0–100%
			23	Groen 8		
			24	Blauw 8		
			25	Rood 9	000 ⇔ 255	0–100%
			26	Groen 9		
			27	Blauw 9		
-	-	-	28	Rood 10	000 ⇔ 255	0–100%
			29	Groen 10		
			30	Blauw 10		
			31	Rood 11	000 ⇔ 255	0–100%
			32	Groen 11		
			33	Blauw 11		
			34	Rood 12	000 ⇔ 255	0–100%
			35	Groen 12		
			36	Blauw 12		
-	4	4	37	Kleurenmacro's	000 ⇔ 014	Geen functie
					015 ⇔ 255	Kleurenmacro's

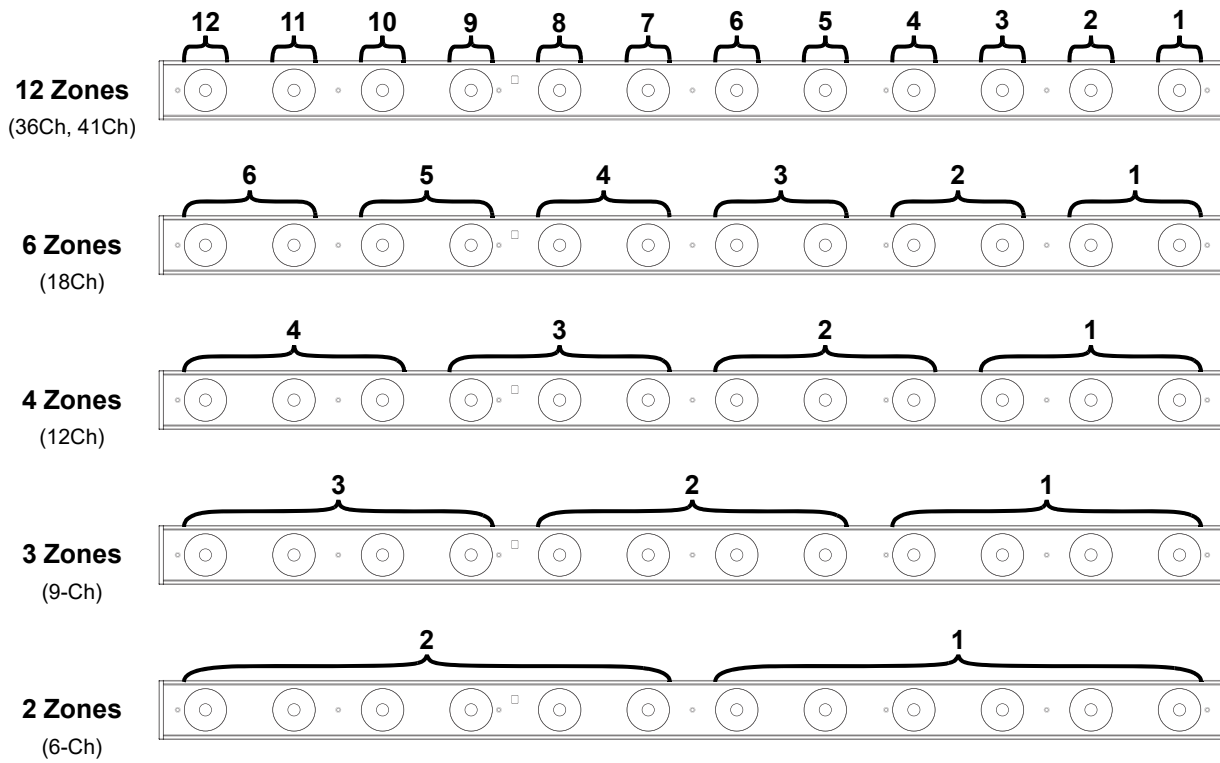
4-Ch	7-Ch	8-Ch	41Ch	Functie	Waarde	Percentage/Instelling
-	5	5	38	Stroboscoop (wanneer K. 6/39 000 ⇔ 031 is)	000 ⇔ 015	Geen functie
					016 ⇔ 255	Stroboscoop, langzaam to snel
				Programmasnelheid (wanneer K. 6/39 032 ⇔ 223/229 is)	000 ⇔ 255	Programmasnelheid, langzaam to snel
				Geluidsgevoeligheid (wanneer K. 6/39 224/230 ⇔ 255 is)	000 ⇔ 010	Geluidsgevoeligheid uit
					011 ⇔ 255	Geluidsgevoeligheid, lage tot hoge
-	-	6	39	Programma	000 ⇔ 031	Geen functie
					032 ⇔ 063	Pulseffect, 0-100%
					064 ⇔ 095	Pulseffect, 100-0%
					096 ⇔ 114	Pulseffect, 100-0-100%
					115 ⇔ 119	Automatische programma 1
					120 ⇔ 124	Automatische programma 2
					125 ⇔ 129	Automatische programma 3
					130 ⇔ 134	Automatische programma 4
					135 ⇔ 139	Automatische programma 5
					140 ⇔ 144	Automatische programma 6
					145 ⇔ 149	Automatische programma 7
					150 ⇔ 154	Automatische programma 8
					155 ⇔ 159	Automatische programma 9
					160 ⇔ 164	Automatische programma 10
					165 ⇔ 169	Automatische programma 11
					170 ⇔ 174	Automatische programma 12
					175 ⇔ 179	Automatische programma 13
					180 ⇔ 184	Automatische programma 14
					185 ⇔ 189	Automatische programma 15
					190 ⇔ 194	Automatische programma 16
					195 ⇔ 199	Automatische programma 17
					200 ⇔ 204	Automatische programma 18
					205 ⇔ 209	Automatische programma 19
210 ⇔ 214	Automatische programma 20					
215 ⇔ 219	Automatische programma 21					
220 ⇔ 224	Automatische programma 22					
225 ⇔ 229	Automatische programma 23					
230 ⇔ 255	Geluidsactieprogramma					
-	6	-	-	Programma	000 ⇔ 031	Geen functie
					032 ⇔ 063	Pulseffect, 0-100%
					064 ⇔ 095	Pulseffect, 100-0%
					096 ⇔ 114	Pulseffect, 100-0-100%
					115 ⇔ 127	Automatische volgorde
					128 ⇔ 159	Automatische fade
					160 ⇔ 191	Automatische 3-kleur snap
					192 ⇔ 223	Automatische 7-kleur snap
224 ⇔ 255	Geluidsactieprogramma					
4	7	7	40	Dimmer	000 ⇔ 255	0-100%

4-Ch	7-Ch	8-Ch	41Ch	Functie	Waarde	Percentage/Instelling
-	-	8	41	Dimmersnelheid	000 ⇔ 051	Dimmersnelheid ingesteld vanaf het display
					052 ⇔ 101	Dimmer snelheidsmodus uit
					102 ⇔ 152	Dimmer snelheidsmodus 1 (snel)
					153 ⇔ 203	Dimmer snelheidsmodus 2 (middelhoog)
					204 ⇔ 255	Dimmer snelheidsmodus 3 (langzaam)

Pixelbesturingsmodi

3-Ch	6-Ch	9-Ch	12Ch	18Ch	36Ch	Functie		Waarde	Percentage/Instelling
1	1	1	1	1	1	Rood 1	Zone 1	000 ⇔ 255	0-100%
2	2	2	2	2	Groen 1	000 ⇔ 255		0-100%	
3	3	3	3	3	Blauw 1	000 ⇔ 255		0-100%	
	4	4	4	4	4	Rood 2	Zone 2	000 ⇔ 255	0-100%
	5	5	5	5	5	Groen 2		000 ⇔ 255	0-100%
	6	6	6	6	6	Blauw 2		000 ⇔ 255	0-100%
	7	7	7	7	7	Rood 3	Zone 3	000 ⇔ 255	0-100%
	8	8	8	8	8	Groen 3		000 ⇔ 255	0-100%
	9	9	9	9	9	Blauw 3		000 ⇔ 255	0-100%
	10	10	10	10	10	Rood 4	Zone 4	000 ⇔ 255	0-100%
	11	11	11	11	11	Groen 4		000 ⇔ 255	0-100%
	12	12	12	12	12	Blauw 4		000 ⇔ 255	0-100%
	13	13	13	13	13	Rood 5	Zone 5	000 ⇔ 255	0-100%
	14	14	14	14	14	Groen 5		000 ⇔ 255	0-100%
	15	15	15	15	15	Blauw 5		000 ⇔ 255	0-100%
	16	16	16	16	16	Rood 6	Zone 6	000 ⇔ 255	0-100%
	17	17	17	17	17	Groen 6		000 ⇔ 255	0-100%
	18	18	18	18	18	Blauw 6		000 ⇔ 255	0-100%
	19	19	19	19	19	Rood 7	Zone 7	000 ⇔ 255	0-100%
	20	20	20	20	20	Groen 7		000 ⇔ 255	0-100%
	21	21	21	21	21	Blauw 7		000 ⇔ 255	0-100%
	22	22	22	22	22	Rood 8	Zone 8	000 ⇔ 255	0-100%
	23	23	23	23	23	Groen 8		000 ⇔ 255	0-100%
	24	24	24	24	24	Blauw 8		000 ⇔ 255	0-100%
	25	25	25	25	25	Rood 9	Zone 9	000 ⇔ 255	0-100%
	26	26	26	26	26	Groen 9		000 ⇔ 255	0-100%
	27	27	27	27	27	Blauw 9		000 ⇔ 255	0-100%
	28	28	28	28	28	Rood 10	Zone 10	000 ⇔ 255	0-100%
	29	29	29	29	29	Groen 10		000 ⇔ 255	0-100%
	30	30	30	30	30	Blauw 10		000 ⇔ 255	0-100%
	31	31	31	31	31	Rood 11	Zone 11	000 ⇔ 255	0-100%
	32	32	32	32	32	Groen 11		000 ⇔ 255	0-100%
	33	33	33	33	33	Blauw 11		000 ⇔ 255	0-100%
	34	34	34	34	34	Rood 12	Zone 12	000 ⇔ 255	0-100%
	35	35	35	35	35	Groen 12		000 ⇔ 255	0-100%
	36	36	36	36	36	Blauw 12		000 ⇔ 255	0-100%

Zones voor DMX-bediening



Contact Us

General Information	Technical Support
Chauvet World Headquarters	
Address: 3360 Davie Rd. Davie, FL 33314 Voice: (954) 577-4455 Fax: (954) 929-5560 Toll Free: (800) 762-1084	Voice: (844) 393-7575 Fax: (954) 756-8015 Email: chauvetcs@chauvetlighting.com Website: www.chauvetdj.com
Chauvet U.K.	
Address: Unit 1C Brookhill Road Industrial Estate Pinxton, Nottingham, UK NG16 6NT Voice: +44 (0) 1773 511115 Fax: +44 (0) 1773 511110	Email: UKtech@chauvetlighting.eu Website: www.chauvetdj.eu
Chauvet Benelux	
Address: Stokstraat 18 9770 Kruishoutem Belgium Voice: +32 9 388 93 97	Email: BNLtech@chauvetlighting.eu Website: www.chauvetdj.eu
Chauvet France	
Address: 3, Rue Ampère 91380 Chilly-Mazarin France Voice: +33 1 78 85 33 59	Email: FRtech@chauvetlighting.fr Website: www.chauvetdj.eu
Chauvet Germany	
Address: Bruno-Bürgel-Str. 11 28759 Bremen Germany Voice: +49 421 62 60 20	Email: DEtech@chauvetlighting.de Website: www.chauvetdj.eu
Chauvet Mexico	
Address: Av. de las Partidas 34 - 3B (Entrance by Calle 2) Zona Industrial Lerma Lerma, Edo. de México, CP 52000 Voice: +52 (728) 690-2010	Email: servicio@chauvet.com.mx Website: www.chauvetdj.mx

Visit the applicable website above to verify our contact information and instructions to request support. Outside the U.S., U.K., Ireland, Mexico, France, Germany, or Benelux, contact the dealer of record.

COLORband PiX ILS QRG ML6 Rev. 4
© Copyright 2022 Chauvet
All rights reserved



UL 1573
CSA C22.2 No. 166
E113093



RoHS

