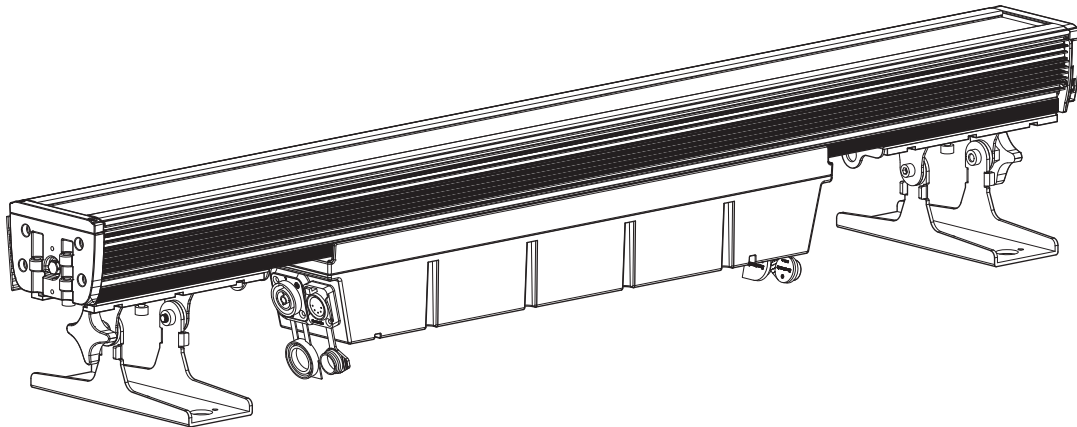


COLORADO *BATTEN* Q15

Quick Reference Guide

English	EN
Español	ES
Français	FR
Deutsch	DE
Nederlands	NL



About This Guide

The COLORado Batten Q15 Quick Reference Guide (QRG) has basic product information such as connection, mounting, menu options, and DMX values. Download the User Manual from www.chauvetprofessional.com for more details.

Disclaimer

The information and specifications contained in this QRG are subject to change without notice.

LIMITED WARRANTY

FOR WARRANTY REGISTRATION AND COMPLETE TERMS AND CONDITIONS PLEASE VISIT OUR WEBSITE.

For Customers in the United States and Mexico: www.chauvetlighting.com/warranty-registration.

For Customers in the United Kingdom, Republic of Ireland, Belgium, the Netherlands, Luxembourg, France, and Germany: www.chauvetlighting.eu/warranty-registration.

Chauvet warrants that this product shall be free from defects in material and workmanship under normal use, for the period specified in, and subject to the exclusions and limitations set forth in the full limited warranty on our website. This warranty extends only to the original purchaser of the product and is not transferable. To exercise rights under this warranty, you must provide proof of purchase in the form of an original sales receipt from an authorized dealer that shows the product name and date of purchase. THERE ARE NO OTHER EXPRESS OR IMPLIED WARRANTIES. This warranty gives you specific legal rights. You may also have other rights that vary from state to state and country to country. This warranty is valid only in the United States, United Kingdom, Republic of Ireland, Belgium, the Netherlands, Luxembourg, France, Germany and Mexico. For warranty terms in other countries, please consult your local distributor.

Safety Notes

These Safety Notes include important information about installation, use, and maintenance.

- DO NOT open this product. It contains no user-serviceable parts.
- To eliminate unnecessary wear and improve its lifespan, during periods of non-use completely disconnect the product from power via breaker or by unplugging it.
- DO NOT look at the light source when the product is on.
- CAUTION: This product's housing may be hot when lights are operating. Mount this product in a location with adequate ventilation, at least 20 in (50 cm) from adjacent surfaces.
- DO NOT leave any flammable material within 50 cm of this product while operating or connected to power.
- CAUTION: When transferring product from extreme temperature environments, (e.g., cold truck to warm humid ballroom) condensation may form on the internal electronics of the product. To avoid causing a failure, allow product to fully acclimate to the surrounding environment before connecting it to power.
- Not for permanent outdoor installation in locations with extreme environmental conditions. This includes, but is not limited to:
 - Exposure to a marine/saline environment (within 3 miles of a saltwater body).
 - Where the normal high or low temperatures of the location exceed the temperature ranges in this manual.
 - Locations that are prone to flooding or being buried in snow.
 - Other areas where the product will be subject to extreme radiation or caustic substances.
- USE a safety cable when mounting this product overhead.
- DO NOT submerge this product (IP65). Regular outdoor operation is fine.
- DO NOT operate this product if the housing, lenses, or cables appear damaged.
- DO NOT connect this product to a dimmer or rheostat.
- ONLY connect this product to a grounded and protected circuit.
- ONLY use the hanging/mounting bracket to carry this product.
- In the event of a serious operating problem, stop using immediately.
- The maximum ambient temperature is 113 °F (45 °C). Do not operate this product at higher temperatures.
- The minimum startup temperature is -4°F (-20°C). Do not start the product at lower temperatures.
- The minimum ambient temperature is -22°F (-30°C). Do not operate the product at lower temperatures.

Contact

Outside the U.S., United Kingdom, Ireland, Benelux, France, Germany, or Mexico, contact your distributor to request support or return a product. Refer to [Contact Us](#) at the end of this QRG for contact information.

FCC Compliance

This device complies with Part 15 Part B of the FCC Rules. Operation is subject to the following two conditions:

1. This device may not cause harmful interference, and
2. This device must accept any interference received, including interference that may cause undesired operation.

Any changes or modifications not expressly approved by the party responsible for compliance could void the user's authority to operate the equipment.

What is Included

- COLORado Batten Q15
- Seetronic Powerkon IP65 power cord
- 2 Omega Brackets
- Base Plate
- 2 Retaining Pins
- Glare Shield
- Filter
- Quick Reference Guide

AC Power

This product has an auto-ranging power supply that can work with an input voltage range of 100–240 VAC, 50/60 Hz.

Power Linking

You can link up to 7 COLORado Batten Q15 products at 120 V, 13 products at 208 V, or 14 products at 230 V. Never exceed this number. Power linking cords can be purchased separately.

AC Plug

Connection	Wire (U.S.)	Wire (Europe)	Screw Color
AC Live	Black	Brown	Yellow/Brass
AC Neutral	White	Blue	Silver
AC Ground	Green/Yellow	Green/Yellow	Green



- To eliminate unnecessary wear and improve its lifespan, during periods of non-use completely disconnect the product from power via breaker or by unplugging it.
- When using this product in an outdoor IP65-type environment, be sure to use IP65 (or higher) rated power cables and secure unused ports with attached IP65 covers.

DMX Linking

The COLORado Batten Q15 will work with a DMX controller using a 5-pin DMX data connection. A DMX Primer is available from www.chauvetprofessional.com.

DMX Connection

The COLORado Batten Q15 uses a 5-pin DMX connection for its 9 DMX personalities, ranging from 4-channel to 76-channel in 1-cell modes and 15-cell modes:

Mode	Pixel	Simple	Basic	Advanced	HSIC
1-Cell	N/A	4	8	10	6
15-Cell	45	60	64	66	76

Master/Slave Connection

The COLORado Batten Q15 uses the DMX data connection for its Master/Slave mode. See the User Manual for information about how to connect and configure the product for master/slave operation.

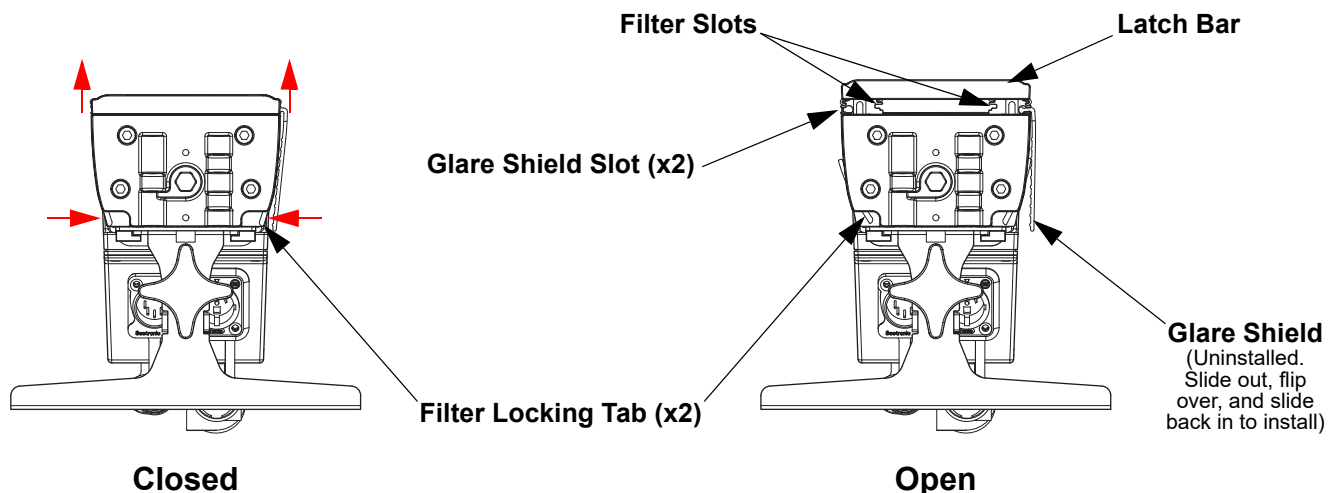
RDM (Remote Device Management)

Remote Device Management, or RDM, is a standard for allowing DMX-enabled devices to communicate bi-directionally along existing DMX cabling. Check the DMX controller's User Manual or with the manufacturer as not all DMX controllers have this capability. The COLORado Batten Q15 supports RDM protocol that allows feedback to make changes to menu map options. Download the User Manual from www.chauvetprofessional.com for more details.

Filter Installation

The COLORado Batten Q15 includes a filter and a glare shield. Follow the procedure below to install or remove the filter or glare shield.

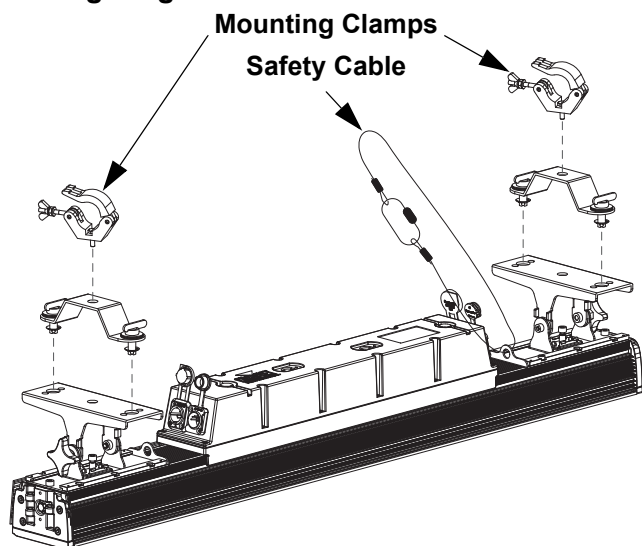
1. Locate the end of the product on the side which has the power and DMX input ports.
2. Squeeze the filter locking tabs in. The latch bar will pop up.
3. Slide the filter and/or glare shield in or out.
4. Press down on the latch bar until it clicks into place.



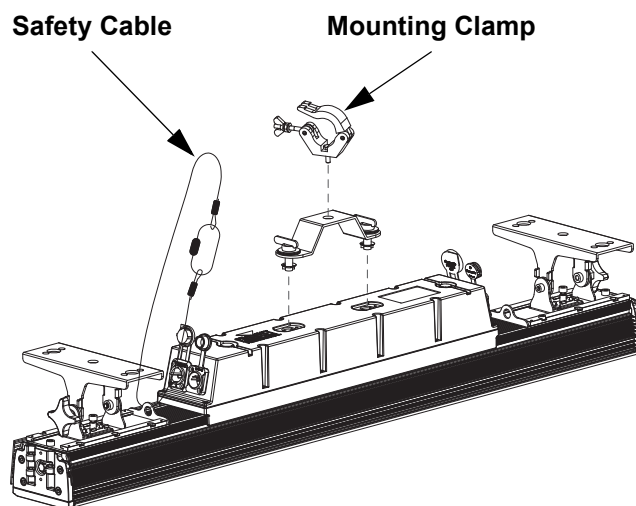
Mounting

Before mounting this product, read the [Safety Notes](#). Make sure the mounting clamps are capable of supporting the weight of the product. For our Chauvet line of mounting clamps, go to <http://trusst.com/productcategory/truss-clamps/>.

Mounting Diagram



2 Mounting Points



1 Mounting Point

Base Plate

Each COLORado Batten Q15 comes with a base plate and 2 retaining pins, which can be used for floor mounting or vertical hanging.

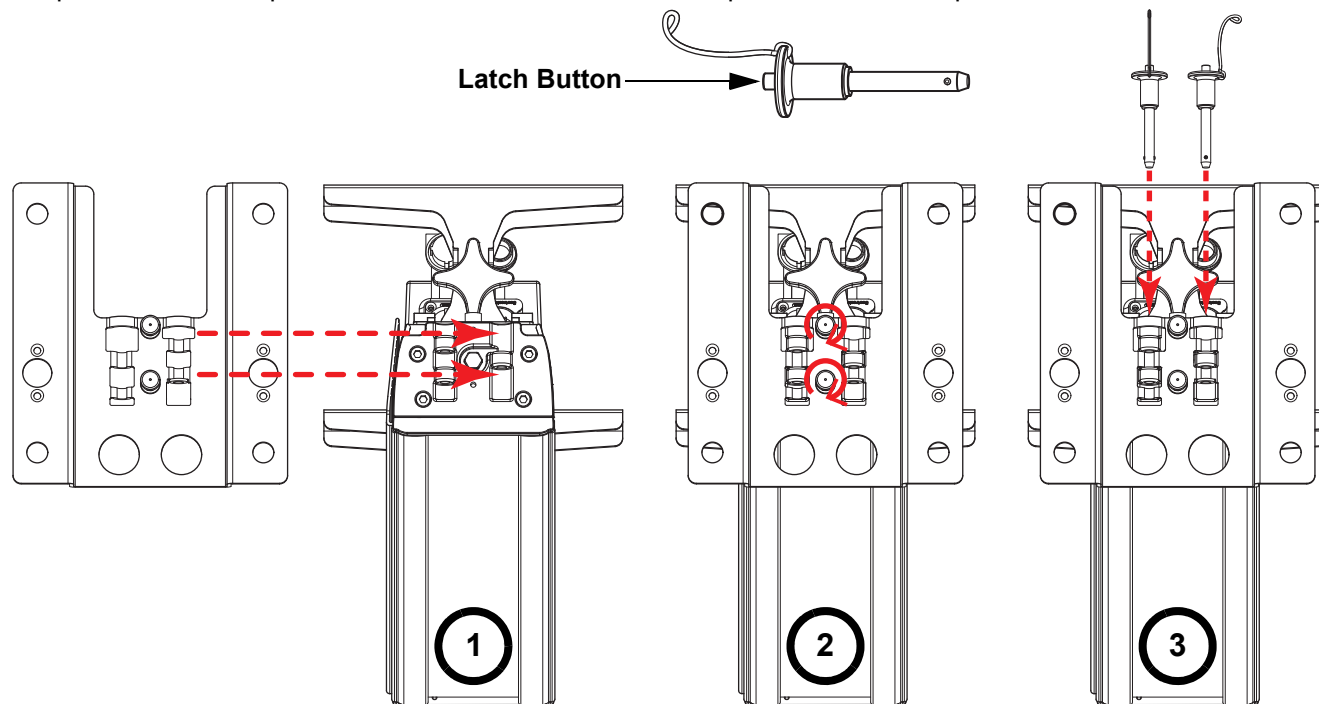


The retaining pins each have a safety cable for added security.

Attaching the Base Plate

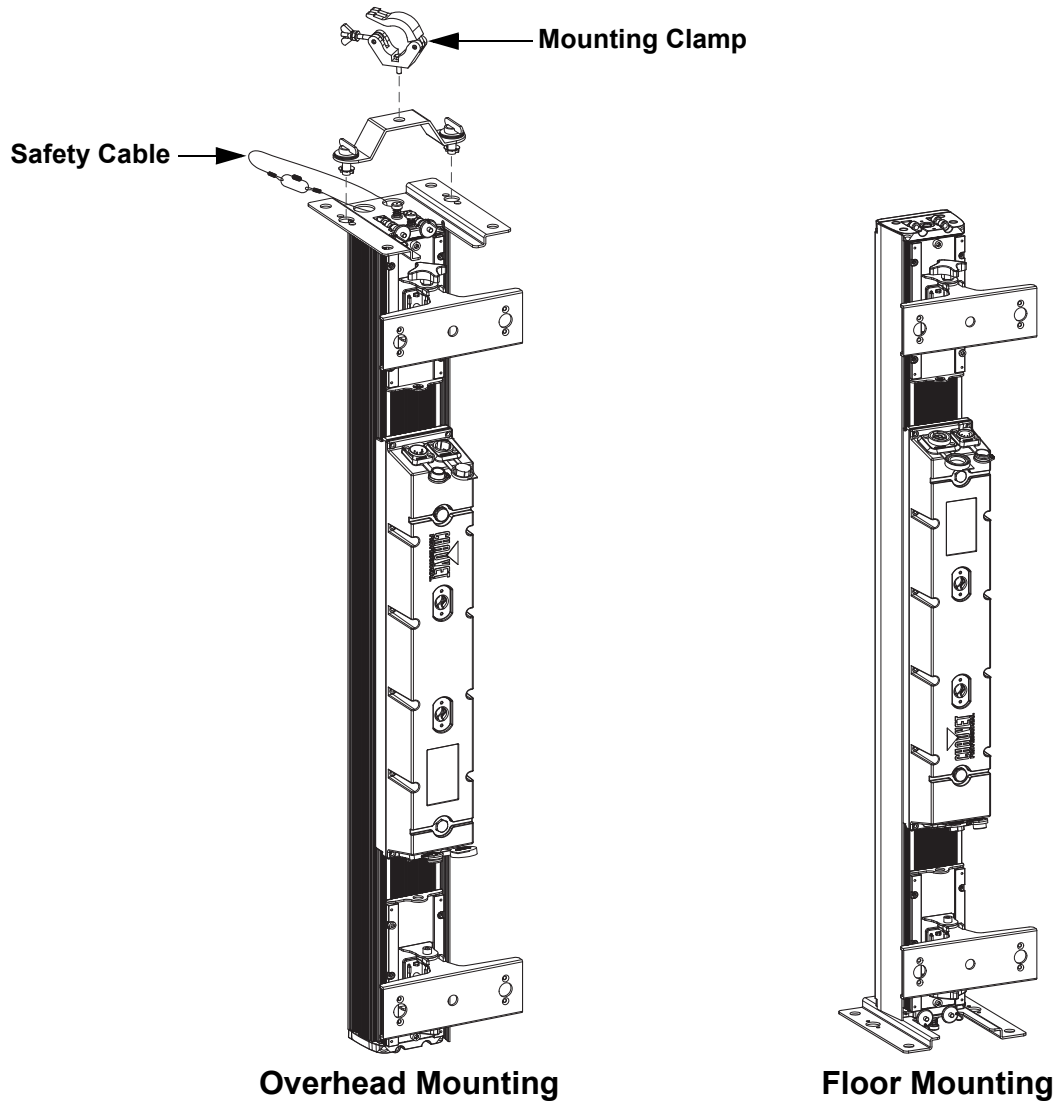
To attach the base plate to either end of the COLORado Batten Q15:

1. Align the base plate so the loops on the end of the product and the loops on the base plate line up and fit into each other.
2. Tighten the captive screws on the base plate.
3. Press and hold the latch button down on the first retaining pin, and insert it through one of the sets of loops on the product and base plate. Release the latch button, then repeat with the other pin.



Mounting Diagram (with Base Plate)

Before mounting this product, read the [Safety Notes](#). Make sure the mounting clamp is capable of supporting the weight of the product. For our Chauvet line of mounting clamps, go to <http://trusst.com/productcategory/truss-clamps/>.



Overhead Mounting

Floor Mounting



To properly floor-mount this product, the base plate must be bolted to a stable surface, such as the stage floor, or a large base plate.

Series Attachment Instructions

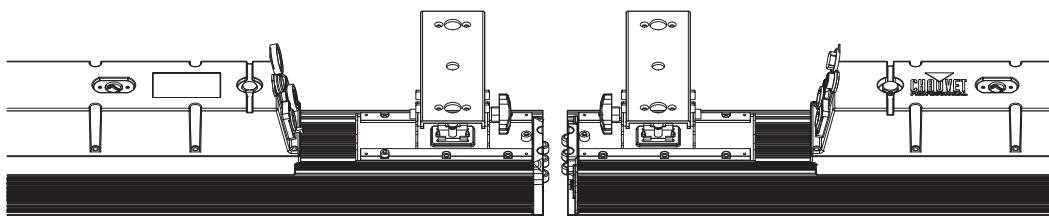
2 COLORado Batten Q15 products can be attached together with the included retaining pins to mount them both from one mounting point. Do not connect any more than 2 COLORado Batten Q15 products in a row when hanging vertically.



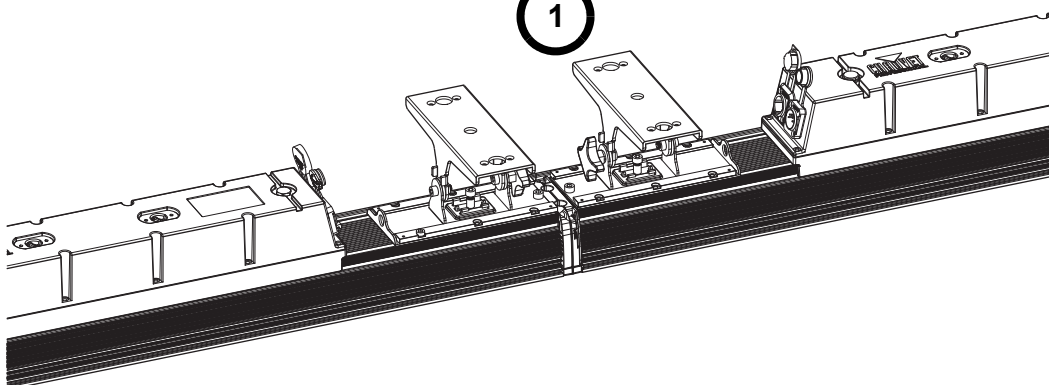
The retaining pins each have a safety cable for added security.

To attach 2 products in series:

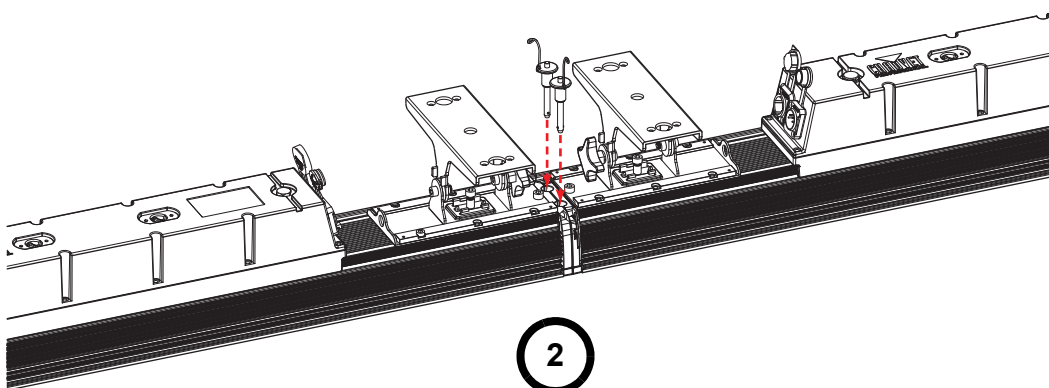
1. Align them end to end so the loops on either end of the product line up with each other.
2. Press and hold the latch button down on the first retaining pin, and insert it through one of the sets of loops on both products. Release the latch button, then repeat with the other pin.



1



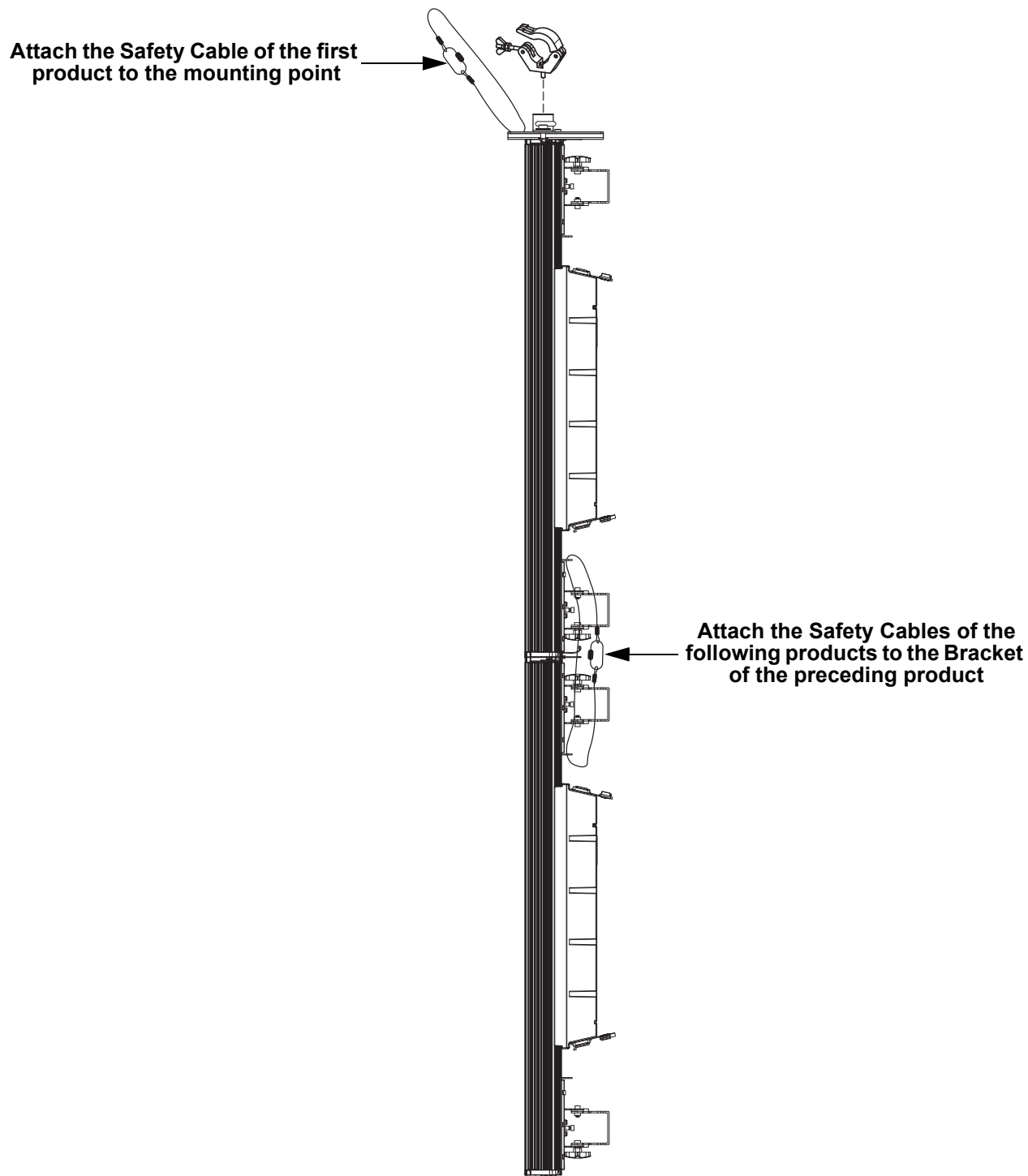
2



Install the safety cables last when attaching COLORado Batten Q15 products in series.

Mounting Products Attached in Series

1. Attach the base plate to the first product in the series. (See [Attaching the Base Plate](#))
2. Attach an omega bracket to the base plate, and a clamp to the omega bracket.
3. Attach the clamp to the desired structure or surface.
4. Attach a safety cable to the product's safety loop.



Never attach more than 2 products together when hanging vertically from a single mounting point.

Control Panel Description

Button	Function
<MENU>	Exits from the current menu or function
<ENTER>	Enables the currently displayed menu or sets the currently selected value into the selected function
<UP>	Navigates upwards through the menu list or increases the numeric value when in a function
<DOWN>	Navigates downwards through the menu list or decreases the numeric value when in a function

Passcode

After being prompted, enter the following passcode by pressing: <UP>, <DOWN>, <UP>, <DOWN>, <ENTER>. This passcode cannot be changed and must be used whenever prompted.

Color Macro Chart

DMX Channel Value	Red Value	Green Value	Blue Value	White Value
000 ⇔ 010	No function	No function	No function	No function
011 ⇔ 034	100%	0–100%	0%	0%
035 ⇔ 059	100–0%	100%	0%	0%
060 ⇔ 084	0%	100%	0–100%	0%
085 ⇔ 109	0%	100–0%	100%	0%
110 ⇔ 134	0–100%	0%	100%	0%
135 ⇔ 159	100%	0%	100–0%	0%
160 ⇔ 184	100%	0–100%	0–100%	0%
185 ⇔ 209	100–0%	100–0%	100%	0%
210 ⇔ 255	100%	100%	100%	100%

Color Temperature Chart

DMX Channel Value	Color Temperature
000 ⇔ 010	No function
011 ⇔ 028	1800K
029 ⇔ 046	2200K
047 ⇔ 064	2700K
065 ⇔ 082	3000K
083 ⇔ 100	3200K
101 ⇔ 118	3500K
119 ⇔ 136	4000K
137 ⇔ 154	4200K
155 ⇔ 172	4500K
173 ⇔ 190	5600K
191 ⇔ 208	6000K
209 ⇔ 226	6500K
227 ⇔ 244	7200K
245 ⇔ 255	8000K



The color temperatures above are simulated renditions of the color output produced as compared to a tungsten lamp at the specified color temperature. Chauvet makes no guarantee of the color output accuracy.

Menu Map

 Refer to the COLORado Batten Q15 product page on www.chauvetprofessional.com for the latest menu map.

Main Level	Programming Levels			Description
Start Address	1–509*			Selects DMX address (*highest channel restricted to personality chosen)
Personality	1 Simple			4-channel: RGBW
	1 Basic			8-channel: 16-bit dimmer, RGBW, color macros, strobe
	1 Advanced			10-channel: 16-bit dimmer, RGBW, color macros, color temperature, strobe, dimmer speed
	1 HSIC			6-channel: dimmer, 16-bit hue, saturation, strobe, dimmer speed
	15 Pixel			45-channel (15-cell): RGB (per cell)
	15 Simple			60-channel (15-cell): RGBW (per cell)
	15 Basic			64-channel (15-cell): 16-bit dimmer, RGBW (per cell), color macros, strobe
	15 Advanced			66-channel (15-cell): 16-bit dimmer, RGBW (per cell), color macros, color temperature, strobe, dimmer speed
Output Setting	Power Mode			Avoids going over the maximum temperature by adjusting output intensity
	Steady Mode			Uses lower output intensity at a constant rate to avoid going over the maximum temperature
Static Colors	Preset Colors	Color 1–14	0–100%	Preset static colors
	CCT Temper	White 1–14		Preset color temperatures
	RGBW	Red	0–255	Combine red, green, blue, and white to make a custom color
		Green		
Blue				
White				
Auto Programs	Run	AUTO.1–10		SPEED 0–100%
		Program 1–10		
	Edit	Program 1–10	Scene-01–30	Red 0–255
				Green 0–255
				Blue 0–255
White 0–255				
Master/Slave	Master			DMX mode (Master)
	Slave			Slave mode
Dimmer Mode	OFF			Linear dimmer
	DIM1–4			Dimming curves DIM1 (fast) to DIM4 (slow)
LED Frequency	1200Hz			Sets the PWM frequency
	2000Hz			
	2400Hz			
	4000Hz			
	6000Hz			
	25000Hz			

Main Level	Programming Levels		Description	
Cell Order	1 - 15(Left to Right)		Sets order of cells	
	15 - 1(Right to Left)			
Settings	**** (Enter Passcode)	DMX Error/ Loss	Hold Last Blackout	Continues last command upon loss of DMX Blacks out product upon loss of DMX
		Disp TimeOut	On	On
	10s		10s	Turns off display backlight after 10 seconds of inactivity
	20s		20s	Turns off display backlight after 20 seconds of inactivity
	30s		30s	Turns off display backlight after 30 seconds of inactivity
	Disp Passcode	On	On	Locks display (passcode is <UP>, <DOWN>, <UP>, <DOWN>, <ENTER>)
		Off	Off	
	Information	Fixture Hours		--- Hours
Firmware Version		V_._	Shows current firmware version	
RDM		UID	-----	Shows product UID
		Label	Batten Q15	Shows RDM label
Factory Reset	No	**** (Enter Passcode)		Resets the product to factory default settings
	Yes			

15-Cell DMX Values
15 HSIC (76 Channels)

Channel	Function	Value	Percent/Setting
1	Dimmer 1	000 ⇄ 255	0–100%
2	Hue 1	000 ⇄ 255	0–100%
3	Fine Hue 1	000 ⇄ 255	0–100%
4	Saturation 1	000 ⇄ 255	0–100%
5	Strobe 1	000 ⇄ 009	No function
		010 ⇄ 099	Strobe, slow to fast
		100 ⇄ 109	No function
		110 ⇄ 179	Lightning effect, slow to fast
		180 ⇄ 189	No function
190 ⇄ 255	Random strobe, slow to fast		
6	Dimmer 2	000 ⇄ 255	0–100%
7	Hue 2	000 ⇄ 255	0–100%
8	Fine Hue 2	000 ⇄ 255	0–100%
9	Saturation 2	000 ⇄ 255	0–100%
10	Strobe 2	000 ⇄ 009	No function
		010 ⇄ 099	Strobe, slow to fast
		100 ⇄ 109	No function
		110 ⇄ 179	Lightning effect, slow to fast
		180 ⇄ 189	No function
190 ⇄ 255	Random strobe, slow to fast		
11	Dimmer 3	000 ⇄ 255	0–100%
12	Hue 3	000 ⇄ 255	0–100%
13	Fine Hue 3	000 ⇄ 255	0–100%
14	Saturation 3	000 ⇄ 255	0–100%
15	Strobe 3	000 ⇄ 009	No function
		010 ⇄ 099	Strobe, slow to fast
		100 ⇄ 109	No function
		110 ⇄ 179	Lightning effect, slow to fast
		180 ⇄ 189	No function
190 ⇄ 255	Random strobe, slow to fast		
16	Dimmer 4	000 ⇄ 255	0–100%
17	Hue 4	000 ⇄ 255	0–100%
18	Fine Hue 4	000 ⇄ 255	0–100%
19	Saturation 4	000 ⇄ 255	0–100%
20	Strobe 4	000 ⇄ 009	No function
		010 ⇄ 099	Strobe, slow to fast
		100 ⇄ 109	No function
		110 ⇄ 179	Lightning effect, slow to fast
		180 ⇄ 189	No function
190 ⇄ 255	Random strobe, slow to fast		
21	Dimmer 5	000 ⇄ 255	0–100%
22	Hue 5	000 ⇄ 255	0–100%
23	Fine Hue 5	000 ⇄ 255	0–100%
24	Saturation 5	000 ⇄ 255	0–100%
25	Strobe 5	000 ⇄ 009	No function
		010 ⇄ 099	Strobe, slow to fast
		100 ⇄ 109	No function
		110 ⇄ 179	Lightning effect, slow to fast
		180 ⇄ 189	No function
190 ⇄ 255	Random strobe, slow to fast		
26	Dimmer 6	000 ⇄ 255	0–100%
27	Hue 6	000 ⇄ 255	0–100%
28	Fine Hue 6	000 ⇄ 255	0–100%

Channel	Function	Value	Percent/Setting
29	Saturation 6	000 ⇄ 255	0–100%
30	Strobe 6	000 ⇄ 009	No function
		010 ⇄ 099	Strobe, slow to fast
		100 ⇄ 109	No function
		110 ⇄ 179	Lightning effect, slow to fast
		180 ⇄ 189	No function
		190 ⇄ 255	Random strobe, slow to fast
31	Dimmer 7	000 ⇄ 255	0–100%
32	Hue 7	000 ⇄ 255	0–100%
33	Fine Hue 7	000 ⇄ 255	0–100%
34	Saturation 7	000 ⇄ 255	0–100%
35	Strobe 7	000 ⇄ 009	No function
		010 ⇄ 099	Strobe, slow to fast
		100 ⇄ 109	No function
		110 ⇄ 179	Lightning effect, slow to fast
		180 ⇄ 189	No function
		190 ⇄ 255	Random strobe, slow to fast
36	Dimmer 8	000 ⇄ 255	0–100%
37	Hue 8	000 ⇄ 255	0–100%
38	Fine Hue 8	000 ⇄ 255	0–100%
39	Saturation 8	000 ⇄ 255	0–100%
40	Strobe 8	000 ⇄ 009	No function
		010 ⇄ 099	Strobe, slow to fast
		100 ⇄ 109	No function
		110 ⇄ 179	Lightning effect, slow to fast
		180 ⇄ 189	No function
		190 ⇄ 255	Random strobe, slow to fast
41	Dimmer 9	000 ⇄ 255	0–100%
42	Hue 9	000 ⇄ 255	0–100%
43	Fine Hue 9	000 ⇄ 255	0–100%
44	Saturation 9	000 ⇄ 255	0–100%
45	Strobe 9	000 ⇄ 009	No function
		010 ⇄ 099	Strobe, slow to fast
		100 ⇄ 109	No function
		110 ⇄ 179	Lightning effect, slow to fast
		180 ⇄ 189	No function
		190 ⇄ 255	Random strobe, slow to fast
46	Dimmer 10	000 ⇄ 255	0–100%
47	Hue 10	000 ⇄ 255	0–100%
48	Fine Hue 10	000 ⇄ 255	0–100%
49	Saturation 10	000 ⇄ 255	0–100%
50	Strobe 10	000 ⇄ 009	No function
		010 ⇄ 099	Strobe, slow to fast
		100 ⇄ 109	No function
		110 ⇄ 179	Lightning effect, slow to fast
		180 ⇄ 189	No function
		190 ⇄ 255	Random strobe, slow to fast
51	Dimmer 11	000 ⇄ 255	0–100%
52	Hue 11	000 ⇄ 255	0–100%
53	Fine Hue 11	000 ⇄ 255	0–100%
54	Saturation 11	000 ⇄ 255	0–100%

Channel	Function	Value	Percent/Setting
55	Strobe 11	000 ⇔ 009	No function
		010 ⇔ 099	Strobe, slow to fast
		100 ⇔ 109	No function
		110 ⇔ 179	Lightning effect, slow to fast
		180 ⇔ 189	No function
		190 ⇔ 255	Random strobe, slow to fast
56	Dimmer 12	000 ⇔ 255	0–100%
57	Hue 12	000 ⇔ 255	0–100%
58	Fine Hue 12	000 ⇔ 255	0–100%
59	Saturation 12	000 ⇔ 255	0–100%
60	Strobe 12	000 ⇔ 009	No function
		010 ⇔ 099	Strobe, slow to fast
		100 ⇔ 109	No function
		110 ⇔ 179	Lightning effect, slow to fast
		180 ⇔ 189	No function
		190 ⇔ 255	Random strobe, slow to fast
61	Dimmer 13	000 ⇔ 255	0–100%
62	Hue 13	000 ⇔ 255	0–100%
63	Fine Hue 13	000 ⇔ 255	0–100%
64	Saturation 13	000 ⇔ 255	0–100%
65	Strobe 13	000 ⇔ 009	No function
		010 ⇔ 099	Strobe, slow to fast
		100 ⇔ 109	No function
		110 ⇔ 179	Lightning effect, slow to fast
		180 ⇔ 189	No function
		190 ⇔ 255	Random strobe, slow to fast
66	Dimmer 14	000 ⇔ 255	0–100%
67	Hue 14	000 ⇔ 255	0–100%
68	Fine Hue 14	000 ⇔ 255	0–100%
69	Saturation 14	000 ⇔ 255	0–100%
70	Strobe 14	000 ⇔ 009	No function
		010 ⇔ 099	Strobe, slow to fast
		100 ⇔ 109	No function
		110 ⇔ 179	Lightning effect, slow to fast
		180 ⇔ 189	No function
		190 ⇔ 255	Random strobe, slow to fast
71	Dimmer 15	000 ⇔ 255	0–100%
72	Hue 15	000 ⇔ 255	0–100%
73	Fine Hue 15	000 ⇔ 255	0–100%
74	Saturation 15	000 ⇔ 255	0–100%
75	Strobe 15	000 ⇔ 009	No function
		010 ⇔ 099	Strobe, slow to fast
		100 ⇔ 109	No function
		110 ⇔ 179	Lightning effect, slow to fast
		180 ⇔ 189	No function
		190 ⇔ 255	Random strobe, slow to fast
76	Dimmer Speed	000 ⇔ 009	Preset dimmer speed from display menu
		010 ⇔ 029	Dimmer speed mode off
		030 ⇔ 069	Dimmer speed mode 1 (fastest)
		070 ⇔ 129	Dimmer speed mode 2
		130 ⇔ 189	Dimmer speed mode 3
		190 ⇔ 255	Dimmer speed mode 4 (slowest)

15 Advanced (66 Channels)

Channel	Function	Value	Percent/Setting
1	Dimmer	000 ⇔ 255	0–100%
2	Fine Dimmer	000 ⇔ 255	0–100%
3	Red 1	000 ⇔ 255	0–100%
4	Green 1	000 ⇔ 255	0–100%
5	Blue 1	000 ⇔ 255	0–100%
6	White 1	000 ⇔ 255	0–100%
7	Red 2	000 ⇔ 255	0–100%
8	Green 2	000 ⇔ 255	0–100%
9	Blue 2	000 ⇔ 255	0–100%
10	White 2	000 ⇔ 255	0–100%
11	Red 3	000 ⇔ 255	0–100%
12	Green 3	000 ⇔ 255	0–100%
13	Blue 3	000 ⇔ 255	0–100%
14	White 3	000 ⇔ 255	0–100%
15	Red 4	000 ⇔ 255	0–100%
16	Green 4	000 ⇔ 255	0–100%
17	Blue 4	000 ⇔ 255	0–100%
18	White 4	000 ⇔ 255	0–100%
19	Red 5	000 ⇔ 255	0–100%
20	Green 5	000 ⇔ 255	0–100%
21	Blue 5	000 ⇔ 255	0–100%
22	White 5	000 ⇔ 255	0–100%
23	Red 6	000 ⇔ 255	0–100%
24	Green 6	000 ⇔ 255	0–100%
25	Blue 6	000 ⇔ 255	0–100%
26	White 6	000 ⇔ 255	0–100%
27	Red 7	000 ⇔ 255	0–100%
28	Green 7	000 ⇔ 255	0–100%
29	Blue 7	000 ⇔ 255	0–100%
30	White 7	000 ⇔ 255	0–100%
31	Red 8	000 ⇔ 255	0–100%
32	Green 8	000 ⇔ 255	0–100%
33	Blue 8	000 ⇔ 255	0–100%
34	White 8	000 ⇔ 255	0–100%
35	Red 9	000 ⇔ 255	0–100%
36	Green 9	000 ⇔ 255	0–100%
37	Blue 9	000 ⇔ 255	0–100%
38	White 9	000 ⇔ 255	0–100%
39	Red 10	000 ⇔ 255	0–100%
40	Green 10	000 ⇔ 255	0–100%
41	Blue 10	000 ⇔ 255	0–100%
42	White 10	000 ⇔ 255	0–100%
43	Red 11	000 ⇔ 255	0–100%
44	Green 11	000 ⇔ 255	0–100%
45	Blue 11	000 ⇔ 255	0–100%
46	White 11	000 ⇔ 255	0–100%
47	Red 12	000 ⇔ 255	0–100%
48	Green 12	000 ⇔ 255	0–100%
49	Blue 12	000 ⇔ 255	0–100%
50	White 12	000 ⇔ 255	0–100%
51	Red 13	000 ⇔ 255	0–100%
52	Green 13	000 ⇔ 255	0–100%
53	Blue 13	000 ⇔ 255	0–100%
54	White 13	000 ⇔ 255	0–100%

Channel	Function	Value	Percent/Setting
55	Red 14	000 ⇄ 255	0–100%
56	Green 14	000 ⇄ 255	0–100%
57	Blue 14	000 ⇄ 255	0–100%
58	White 14	000 ⇄ 255	0–100%
59	Red 15	000 ⇄ 255	0–100%
60	Green 15	000 ⇄ 255	0–100%
61	Blue 15	000 ⇄ 255	0–100%
62	White 15	000 ⇄ 255	0–100%
63	Color Macros	000 ⇄ 255	See Color Macro Chart
64	Color Temperatures	000 ⇄ 255	See Color Temperature Chart
65	Strobe	000 ⇄ 009	No function
		010 ⇄ 099	Strobe, slow to fast
		100 ⇄ 109	No function
		110 ⇄ 179	Lightning effect, slow to fast
		180 ⇄ 189	No function
		190 ⇄ 255	Random strobe, slow to fast
66	Dimmer Speed	000 ⇄ 009	Preset dimmer speed from display menu
		010 ⇄ 029	Dimmer speed mode off
		030 ⇄ 069	Dimmer speed mode 1 (fastest)
		070 ⇄ 129	Dimmer speed mode 2
		130 ⇄ 189	Dimmer speed mode 3
		190 ⇄ 255	Dimmer speed mode 4 (slowest)

15 Basic (64 Channels)

Channel	Function	Value	Percent/Setting
1	Dimmer	000 ⇄ 255	0–100%
2	Fine Dimmer	000 ⇄ 255	0–100%
3	Red 1	000 ⇄ 255	0–100%
4	Green 1	000 ⇄ 255	0–100%
5	Blue 1	000 ⇄ 255	0–100%
6	White 1	000 ⇄ 255	0–100%
7	Red 2	000 ⇄ 255	0–100%
8	Green 2	000 ⇄ 255	0–100%
9	Blue 2	000 ⇄ 255	0–100%
10	White 2	000 ⇄ 255	0–100%
11	Red 3	000 ⇄ 255	0–100%
12	Green 3	000 ⇄ 255	0–100%
13	Blue 3	000 ⇄ 255	0–100%
14	White 3	000 ⇄ 255	0–100%
15	Red 4	000 ⇄ 255	0–100%
16	Green 4	000 ⇄ 255	0–100%
17	Blue 4	000 ⇄ 255	0–100%
18	White 4	000 ⇄ 255	0–100%
19	Red 5	000 ⇄ 255	0–100%
20	Green 5	000 ⇄ 255	0–100%
21	Blue 5	000 ⇄ 255	0–100%
22	White 5	000 ⇄ 255	0–100%
23	Red 6	000 ⇄ 255	0–100%
24	Green 6	000 ⇄ 255	0–100%
25	Blue 6	000 ⇄ 255	0–100%
26	White 6	000 ⇄ 255	0–100%
27	Red 7	000 ⇄ 255	0–100%
28	Green 7	000 ⇄ 255	0–100%
29	Blue 7	000 ⇄ 255	0–100%
30	White 7	000 ⇄ 255	0–100%

Channel	Function	Value	Percent/Setting
31	Red 8	000 ⇔ 255	0–100%
32	Green 8	000 ⇔ 255	0–100%
33	Blue 8	000 ⇔ 255	0–100%
34	White 8	000 ⇔ 255	0–100%
35	Red 9	000 ⇔ 255	0–100%
36	Green 9	000 ⇔ 255	0–100%
37	Blue 9	000 ⇔ 255	0–100%
38	White 9	000 ⇔ 255	0–100%
39	Red 10	000 ⇔ 255	0–100%
40	Green 10	000 ⇔ 255	0–100%
41	Blue 10	000 ⇔ 255	0–100%
42	White 10	000 ⇔ 255	0–100%
43	Red 11	000 ⇔ 255	0–100%
44	Green 11	000 ⇔ 255	0–100%
45	Blue 11	000 ⇔ 255	0–100%
46	White 11	000 ⇔ 255	0–100%
47	Red 12	000 ⇔ 255	0–100%
48	Green 12	000 ⇔ 255	0–100%
49	Blue 12	000 ⇔ 255	0–100%
50	White 12	000 ⇔ 255	0–100%
51	Red 13	000 ⇔ 255	0–100%
52	Green 13	000 ⇔ 255	0–100%
53	Blue 13	000 ⇔ 255	0–100%
54	White 13	000 ⇔ 255	0–100%
55	Red 14	000 ⇔ 255	0–100%
56	Green 14	000 ⇔ 255	0–100%
57	Blue 14	000 ⇔ 255	0–100%
58	White 14	000 ⇔ 255	0–100%
59	Red 15	000 ⇔ 255	0–100%
60	Green 15	000 ⇔ 255	0–100%
61	Blue 15	000 ⇔ 255	0–100%
62	White 15	000 ⇔ 255	0–100%
63	Color Macros	000 ⇔ 255	See Color Macro Chart
64	Strobe	000 ⇔ 009	No function
		010 ⇔ 099	Strobe, slow to fast
		100 ⇔ 109	No function
		110 ⇔ 179	Lightning effect, slow to fast
		180 ⇔ 189	No function
		190 ⇔ 255	Random strobe, slow to fast

15 Simple (60 Channels)

Channel	Function	Value	Percent/Setting
1	Red 1	000 ⇄ 255	0–100%
2	Green 1	000 ⇄ 255	0–100%
3	Blue 1	000 ⇄ 255	0–100%
4	White 1	000 ⇄ 255	0–100%
5	Red 2	000 ⇄ 255	0–100%
6	Green 2	000 ⇄ 255	0–100%
7	Blue 2	000 ⇄ 255	0–100%
8	White 2	000 ⇄ 255	0–100%
9	Red 3	000 ⇄ 255	0–100%
10	Green 3	000 ⇄ 255	0–100%
11	Blue 3	000 ⇄ 255	0–100%
12	White 3	000 ⇄ 255	0–100%
13	Red 4	000 ⇄ 255	0–100%
14	Green 4	000 ⇄ 255	0–100%
15	Blue 4	000 ⇄ 255	0–100%
16	White 4	000 ⇄ 255	0–100%
17	Red 5	000 ⇄ 255	0–100%
18	Green 5	000 ⇄ 255	0–100%
19	Blue 5	000 ⇄ 255	0–100%
20	White 5	000 ⇄ 255	0–100%
21	Red 6	000 ⇄ 255	0–100%
22	Green 6	000 ⇄ 255	0–100%
23	Blue 6	000 ⇄ 255	0–100%
24	White 6	000 ⇄ 255	0–100%
25	Red 7	000 ⇄ 255	0–100%
26	Green 7	000 ⇄ 255	0–100%
27	Blue 7	000 ⇄ 255	0–100%
28	White 7	000 ⇄ 255	0–100%
29	Red 8	000 ⇄ 255	0–100%
30	Green 8	000 ⇄ 255	0–100%
31	Blue 8	000 ⇄ 255	0–100%
32	White 8	000 ⇄ 255	0–100%
33	Red 9	000 ⇄ 255	0–100%
34	Green 9	000 ⇄ 255	0–100%
35	Blue 9	000 ⇄ 255	0–100%
36	White 9	000 ⇄ 255	0–100%
37	Red 10	000 ⇄ 255	0–100%
38	Green 10	000 ⇄ 255	0–100%
39	Blue 10	000 ⇄ 255	0–100%
40	White 10	000 ⇄ 255	0–100%
41	Red 11	000 ⇄ 255	0–100%
42	Green 11	000 ⇄ 255	0–100%
43	Blue 11	000 ⇄ 255	0–100%
44	White 11	000 ⇄ 255	0–100%
45	Red 12	000 ⇄ 255	0–100%
46	Green 12	000 ⇄ 255	0–100%
47	Blue 12	000 ⇄ 255	0–100%
48	White 12	000 ⇄ 255	0–100%
49	Red 13	000 ⇄ 255	0–100%
50	Green 13	000 ⇄ 255	0–100%
51	Blue 13	000 ⇄ 255	0–100%
52	White 13	000 ⇄ 255	0–100%
53	Red 14	000 ⇄ 255	0–100%
54	Green 14	000 ⇄ 255	0–100%

Channel	Function	Value	Percent/Setting
55	Blue 14	000 ⇔ 255	0–100%
56	White 14	000 ⇔ 255	0–100%
57	Red 15	000 ⇔ 255	0–100%
58	Green 15	000 ⇔ 255	0–100%
59	Blue 15	000 ⇔ 255	0–100%
60	White 15	000 ⇔ 255	0–100%

15 Pixel (45 Channels)

Channel	Function	Value	Percent/Setting
1	Red 1	000 ⇔ 255	0–100%
2	Green 1	000 ⇔ 255	0–100%
3	Blue 1	000 ⇔ 255	0–100%
4	Red 2	000 ⇔ 255	0–100%
5	Green 2	000 ⇔ 255	0–100%
6	Blue 2	000 ⇔ 255	0–100%
7	Red 3	000 ⇔ 255	0–100%
8	Green 3	000 ⇔ 255	0–100%
9	Blue 3	000 ⇔ 255	0–100%
10	Red 4	000 ⇔ 255	0–100%
11	Green 4	000 ⇔ 255	0–100%
12	Blue 4	000 ⇔ 255	0–100%
13	Red 5	000 ⇔ 255	0–100%
14	Green 5	000 ⇔ 255	0–100%
15	Blue 5	000 ⇔ 255	0–100%
16	Red 6	000 ⇔ 255	0–100%
17	Green 6	000 ⇔ 255	0–100%
18	Blue 6	000 ⇔ 255	0–100%
19	Red 7	000 ⇔ 255	0–100%
20	Green 7	000 ⇔ 255	0–100%
21	Blue 7	000 ⇔ 255	0–100%
22	Red 8	000 ⇔ 255	0–100%
23	Green 8	000 ⇔ 255	0–100%
24	Blue 8	000 ⇔ 255	0–100%
25	Red 9	000 ⇔ 255	0–100%
26	Green 9	000 ⇔ 255	0–100%
27	Blue 9	000 ⇔ 255	0–100%
28	Red 10	000 ⇔ 255	0–100%
29	Green 10	000 ⇔ 255	0–100%
30	Blue 10	000 ⇔ 255	0–100%
31	Red 11	000 ⇔ 255	0–100%
32	Green 11	000 ⇔ 255	0–100%
33	Blue 11	000 ⇔ 255	0–100%
34	Red 12	000 ⇔ 255	0–100%
35	Green 12	000 ⇔ 255	0–100%
36	Blue 12	000 ⇔ 255	0–100%
37	Red 13	000 ⇔ 255	0–100%
38	Green 13	000 ⇔ 255	0–100%
39	Blue 13	000 ⇔ 255	0–100%
40	Red 14	000 ⇔ 255	0–100%
41	Green 14	000 ⇔ 255	0–100%
42	Blue 14	000 ⇔ 255	0–100%
43	Red 15	000 ⇔ 255	0–100%
44	Green 15	000 ⇔ 255	0–100%
45	Blue 15	000 ⇔ 255	0–100%

1-Cell DMX Values
1 HSIC (6 Channels)

Channel	Function	Value	Percent/Setting
1	Dimmer	000 ⇄ 255	0–100%
2	Hue	000 ⇄ 255	0–100%
3	Fine Hue	000 ⇄ 255	0–100%
4	Saturation	000 ⇄ 255	0–100%
5	Strobe	000 ⇄ 009	No function
		010 ⇄ 099	Strobe, slow to fast
		100 ⇄ 109	No function
		110 ⇄ 179	Lightning effect, slow to fast
		180 ⇄ 189	No function
		190 ⇄ 255	Random strobe, slow to fast
6	Dimmer Speed	000 ⇄ 009	Preset dimmer speed from display menu
		010 ⇄ 029	Dimmer speed mode off
		030 ⇄ 069	Dimmer speed mode 1 (fastest)
		070 ⇄ 129	Dimmer speed mode 2
		130 ⇄ 189	Dimmer speed mode 3
		190 ⇄ 255	Dimmer speed mode 4 (slowest)

1 Advanced (10 Channels)

Channel	Function	Value	Percent/Setting
1	Dimmer	000 ⇄ 255	0–100%
2	Fine Dimmer	000 ⇄ 255	0–100%
3	Red	000 ⇄ 255	0–100%
4	Green	000 ⇄ 255	0–100%
5	Blue	000 ⇄ 255	0–100%
6	White	000 ⇄ 255	0–100%
7	Color Macros	000 ⇄ 255	See Color Macro Chart
8	Color Temperatures	000 ⇄ 255	See Color Temperature Chart
9	Strobe	000 ⇄ 009	No function
		010 ⇄ 099	Strobe, slow to fast
		100 ⇄ 109	No function
		110 ⇄ 179	Lightning effect, slow to fast
		180 ⇄ 189	No function
		190 ⇄ 255	Random strobe, slow to fast
10	Dimmer Speed	000 ⇄ 009	Preset dimmer speed from display menu
		010 ⇄ 029	Dimmer speed mode off
		030 ⇄ 069	Dimmer speed mode 1 (fastest)
		070 ⇄ 129	Dimmer speed mode 2
		130 ⇄ 189	Dimmer speed mode 3
		190 ⇄ 255	Dimmer speed mode 4 (slowest)

EN

1 Basic (8 Channels)

Channel	Function	Value	Percent/Setting
1	Dimmer	000 ⇔ 255	0–100%
2	Fine Dimmer	000 ⇔ 255	0–100%
3	Red	000 ⇔ 255	0–100%
4	Green	000 ⇔ 255	0–100%
5	Blue	000 ⇔ 255	0–100%
6	White	000 ⇔ 255	0–100%
7	Color Macros	000 ⇔ 255	See Color Macro Chart
8	Strobe	000 ⇔ 009	No function
		010 ⇔ 099	Strobe, slow to fast
		100 ⇔ 109	No function
		110 ⇔ 179	Lightning effect, slow to fast
		180 ⇔ 189	No function
		190 ⇔ 255	Random strobe, slow to fast

1 Simple (4 Channels)

Channel	Function	Value	Percent/Setting
1	Red	000 ⇔ 255	0–100%
2	Green	000 ⇔ 255	0–100%
3	Blue	000 ⇔ 255	0–100%
4	White	000 ⇔ 255	0–100%

Acerca de Esta Guía

La Guía de Referencia Rápida (GRR) del COLORado Batten Q15 contiene información básica sobre el producto, como montaje, opciones de menú y valores DMX. Descargue el Manual de Usuario de www.chauvetprofessional.com para información más detallada.

Exención de Responsabilidad

La información y especificaciones contenidas en esta GRR están sujetas a cambio sin previo aviso.

GARANTÍA LIMITADA

PARA VER EL REGISTRO DE GARANTÍA Y LOS TÉRMINOS Y CONDICIONES COMPLETOS, VISITE NUESTRO SITIO WEB.

Para clientes en los Estados Unidos y México: www.chauvetlighting.com/warranty-registration.

Para clientes en Reino Unido, República de Irlanda, Bélgica, Países Bajos, Luxemburgo, Francia y Alemania: www.chauvetlighting.eu/warranty-registration.

Chauvet garantiza que este producto estará libre de defectos de material y mano de obra en condiciones de uso normales, durante el periodo especificado, sujeto siempre a las exclusiones y limitaciones establecidas en la garantía limitada completa de nuestro sitio web. Esta garantía se concede únicamente al comprador original del producto y no es transferible. Para ejercer los derechos que otorga esta garantía, usted debe proporcionar una prueba de compra en forma de un recibo de compra original, expedido por un distribuidor autorizado, donde figure el nombre del producto y la fecha de compra. **NO EXISTEN OTRAS GARANTÍAS EXPRESAS NI IMPLÍCITAS.** Esta garantía le otorga derechos legales específicos. Es posible que a usted le asistan otros derechos, que variarán dependiendo del estado o del país. Esta garantía solamente es válida en los Estados Unidos, Reino Unido, República de Irlanda, Bélgica, Países Bajos, Luxemburgo, Francia, Alemania y México. Para conocer los términos de garantía en otros países, consulte a su distribuidor local.

Notas de Seguridad

- NO abra este producto. No contiene piezas reparables por el usuario.
- Para evitar un desgaste innecesario y alargar su vida útil, desconecte complemente el producto de la alimentación, mediante el interruptor o desenchufándolo, durante los periodos en los que no se use.
- NO mire a la fuente de luz cuando el producto esté encendido.
- CUIDADO: La carcasa de este producto está caliente cuando las luces están en funcionamiento.
- Monte este producto en una ubicación con ventilación adecuada, al menos a 20" (50 cm) de superficies adyacentes.
- NO deje ningún material inflamable a menos de 50 cm de este producto mientras esté funcionando o conectado a la alimentación.
- Cuidado: cuando transfiera el producto desde ambientes con temperatura extrema (p. ej., del remolque frío de un camión a una sala de baile con calor y humedad), puede formarse condensación en la electrónica interna del producto. Para evitar que se produzca una avería, deje que el producto se aclimate completamente al ambiente antes de conectar la alimentación.
- No apto para la instalación permanente en exteriores en lugares con condiciones ambientales extremas. Estas incluyen, sin limitarse a ellas:
 - Exposición a un ambiente marino/salino (a menos de 4,8 km de una masa de agua salada).
 - Cuando las temperaturas máxima o mínima habituales del lugar superan los rangos de temperatura en este manual.
 - Lugares proclives a inundaciones o a ser sepultados por la nieve.
 - Otras zonas en las que el producto esté expuesto a radiación extrema o sustancias cáusticas.
- USE un cable de seguridad cuando monte este producto en lo alto.
- NO sumerja este producto (IP65). La operación normal en exteriores es correcta.
- NO ponga en funcionamiento este producto si sospecha que la carcasa, lentes o cables están dañados.
- NO conecte este producto a un atenuador o reostato.
- Conecte este producto SOLO a un circuito con toma de tierra y protegido.
- Use SOLAMENTE los soportes de colgar/montar para mover este producto.
- En caso de un problema grave de funcionamiento, deje de usarlo inmediatamente.
- La máxima temperatura ambiente es de 113 °F (45 °C). No haga funcionar este producto a temperaturas más altas.
- La temperatura de inicio máxima es de -4 °F (-20 °C). No ponga en funcionamiento el producto a temperaturas más bajas.
- La temperatura ambiente mínima es de -22 °F (-30 °C). No haga funcionar el producto a temperaturas más bajas.

Cumplimiento de la FCC

Este dispositivo cumple la parte 15, parte B de las normas FCC. El funcionamiento está supeditado al cumplimiento de estas dos condiciones:

1. Este dispositivo no puede causar interferencias perjudiciales; y
2. Este dispositivo debe aceptar cualquier interferencia recibida, incluyendo las interferencias que puedan causar un funcionamiento no deseado.

Cualquier cambio o modificación que no haya sido expresamente autorizado por la parte responsable de conformidad puede anular la potestad del usuario para hacer funcionar el equipo.

Contacto

Fuera de EE. UU., Reino Unido, Irlanda, Benelux, Francia, Alemania o México póngase en contacto con su distribuidor para solicitar asistencia o devolver un producto. Consulte [Contact Us](#) al final de este GRR para información de contacto.

Qué va Incluido

- COLORado Batten Q15
- Cable de alimentación Seetronic Powerkon IP65
- 2 Soportes Omega
- Placa base
- 2 clavijas de retención
- Pantalla antirreflejante
- Filtro
- Guía de Referencia Rápida

Corriente Alterna

Este producto tiene una fuente de alimentación con detección automática que puede funcionar con un rango de tensión de entrada de 100 a 240 VCA, 50/60 Hz.

Alimentación en Cadena

Puede enlazar hasta 7 productos COLORado Batten Q15 a 120 V, 13 productos a 208 V o 14 productos a 230 V. Los cables de alimentación en cadena se pueden adquirir por separado.

Enchufe CA

Conexión	Cable (EE.UU.)	Cable (Europa)	Color del tornillo
CA Cargado	Negro	Marrón	Amarillo/Latón
CA Neutro	Blanco	Azul	Plata
CA Tierra	Verde/Amarillo	Verde/Amarillo	Verde



- **Para evitar un desgaste innecesario y alargar su vida útil, desconecte completamente el producto de la alimentación, mediante el interruptor o desenchufándolo, durante los periodos en los que no se use.**
- **Cuando utilice este producto en exteriores, use cables de datos y alimentación con protección IP65 (o superior). Asegúrese de proteger los puertos de datos y alimentación que no se usen colocando tapas IP65.**

Enlace DMX

El COLORado Batten Q15 funcionará con un controlador DMX usando una conexión serie DMX de 5 pines. Hay un Manual DMX disponible en www.chauvetprofessional.com.

Conexión DMX

El COLORado Batten Q15 usa una conexión de datos DMX de 5 pines para sus 9 personalidades de control, que van de 4 canales a 76 canales en modos de 1 celda y modos de 15 celdas:

Modo	Pixel	Simple	Basic	Advanced	HSIC
1-celdas	N/A	4	8	10	6
15-celdas	45	60	64	66	76

Conexión Maestro/Esclavo

El COLORado Batten Q15 usa la conexión de datos DMX para su modo Maestro/Esclavo. Vea el Manual de Usuario para conectar y configurar para funcionamiento Maestro/Esclavo.

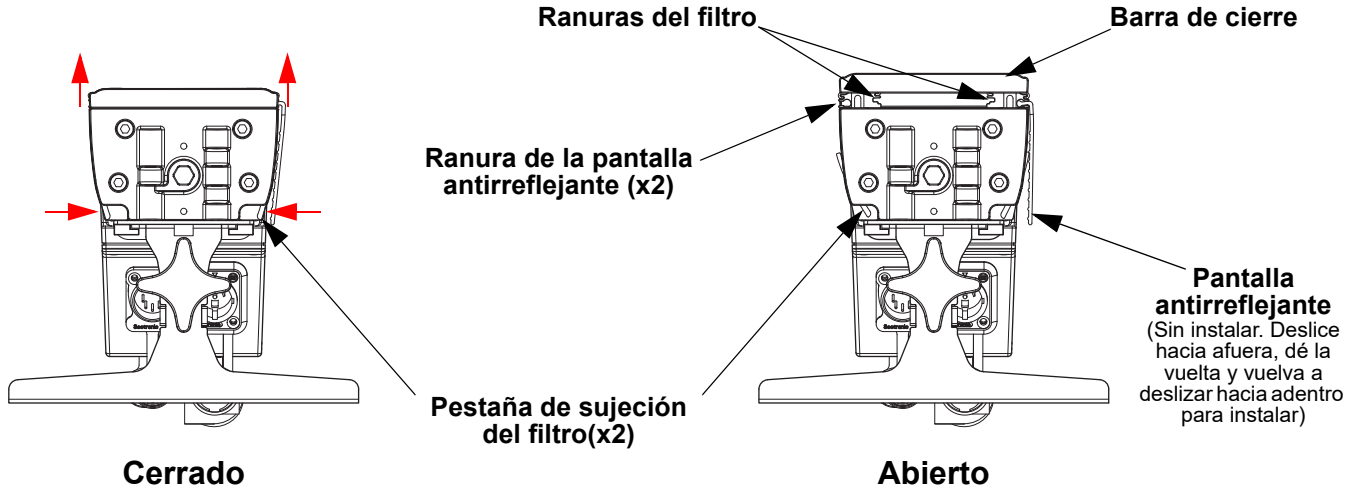
RDM (gestión remota del dispositivo)

Remote Device Management (gestión remota del dispositivo) o RDM, es un estándar que permite a los dispositivos con capacidad DMX una comunicación bidireccional por un cableado DMX existente. El COLORado Batten Q15 admite protocolo RDM, que posibilita información para supervisar cambiar las opciones del mapa de menú. Descargue el manual de usuario de www.chauvetprofessional.com para una información más detallada.

Instalación del filtro

El COLORado Batten Q15 incluye un filtro y una pantalla antirreflejante. Siga el procedimiento indicado a continuación para instalar o desmontar el filtro o la pantalla antirreflejante.

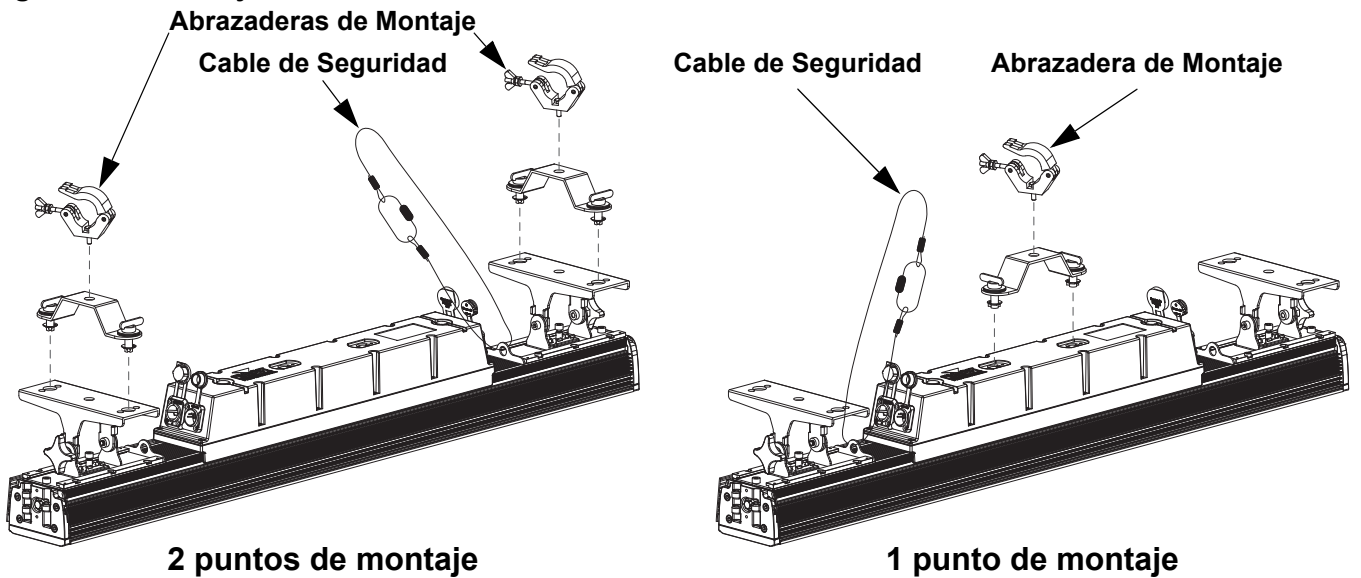
1. Localice el extremo del producto en el lado en el que se están los puertos de entrada de alimentación y DMX.
2. Apriete las pestañas de sujeción del filtro. Saltará la barra de cierre.
3. Deslice el filtro y/o la pantalla antirreflejante hacia adentro o hacia afuera.
4. Apriete hacia abajo la barra de cierre hasta que se ajuste con un clic en su sitio.



Montaje

Antes de montar este producto, lea las [Notas de Seguridad](#). Asegúrese de que las abrazaderas de montaje son capaces de soportar el peso del producto. Para nuestra línea Chauvet de abrazaderas de montaje, visite <http://trusst.com/productcategory/truss-clamps/>.

Diagrama de Montaje del Producto



Placa base

Cada COLORado Batten Q15 viene con una placa base y 2 clavijas de retención, que se pueden usar para montaje en el suelo o para colgar en vertical.



Las clavijas de retención tienen un cable de seguridad para mayor seguridad.

Acoplamiento de la placa base

Para acoplar la placa base a cualquier extremo del COLORado Batten Q15:

1. Alinee la placa base de forma que los lazos en el extremo del producto y los lazos en la placa base estén alineados y encajen entre sí.
2. Apriete los tornillos cautivos en la placa base.
3. Presione y mantenga presionado el botón de cierre de la primera clavija de retención e insértelo a través de uno de los juegos de lazos del producto y la placa base. Suelte el botón de cierre y luego repita con la otra clavija.

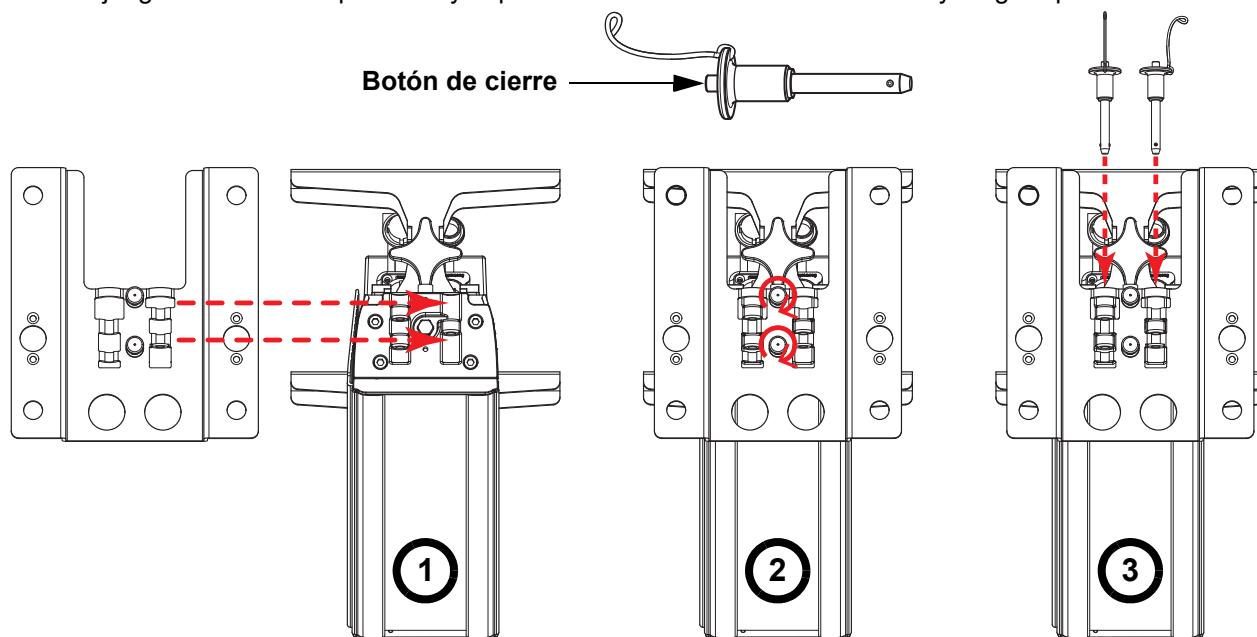
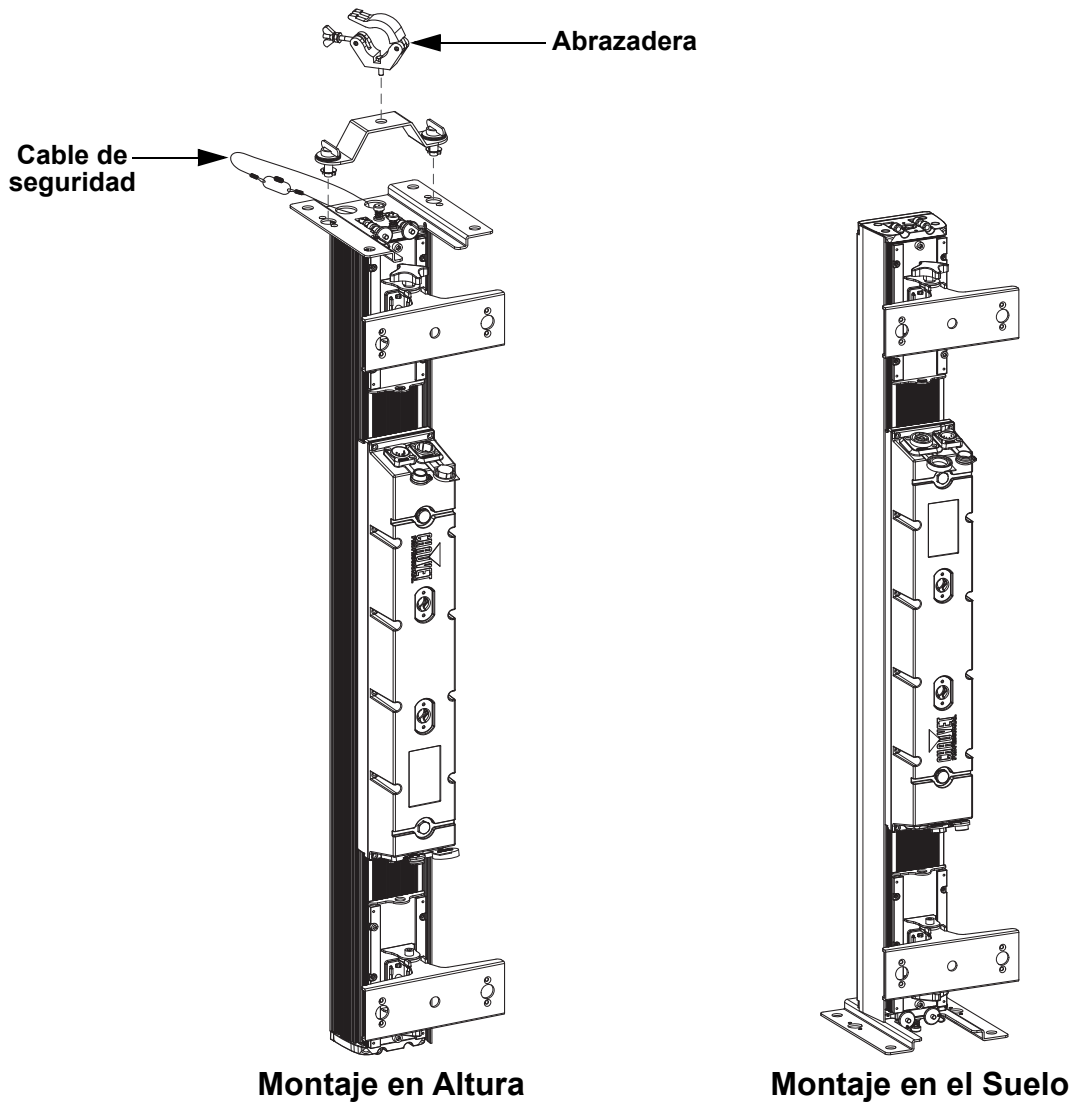


Diagrama de Montaje del Producto (con placa base)

Antes de montar este producto, lea las [Notas de Seguridad](#). Asegúrese de que las abrazaderas de montaje son capaces de soportar el peso del producto. Para nuestra línea Chauvet de abrazaderas de montaje, visite <http://trusst.com/productcategory/truss-clamps/>.



Para montar correctamente este producto, la placa base debe atornillarse a una superficie estable, como el suelo del escenario o una placa base grande.

Instrucciones de fijación en serie

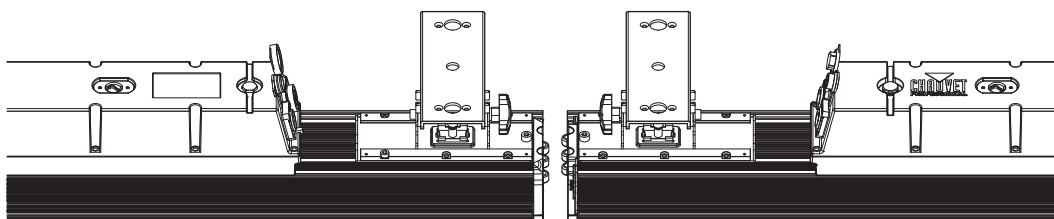
Se pueden acoplar entre sí 2 productos COLORado Batten Q15 con las clavijas de retención incluidas para montar ambos desde un punto de montaje. No conecte más de 2 productos COLORado Batten Q15 en fila cuando los cuelgue verticalmente.



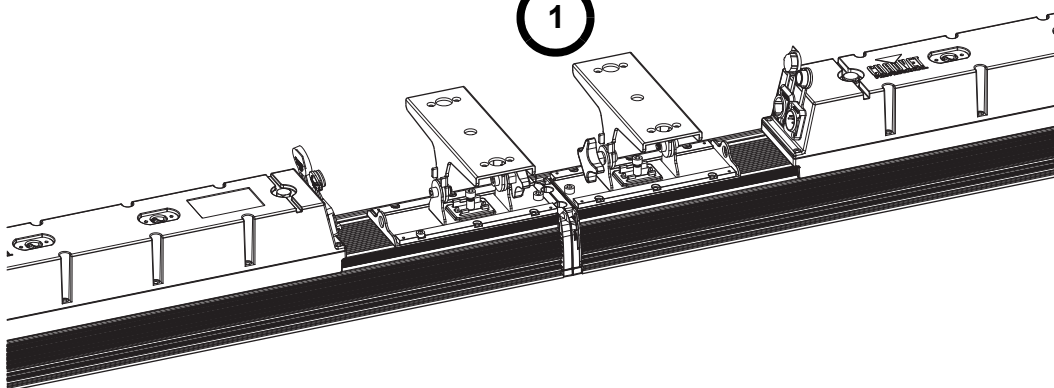
Las clavijas de retención tienen un cable de seguridad para mayor seguridad.

Para acoplar 2 productos en serie:

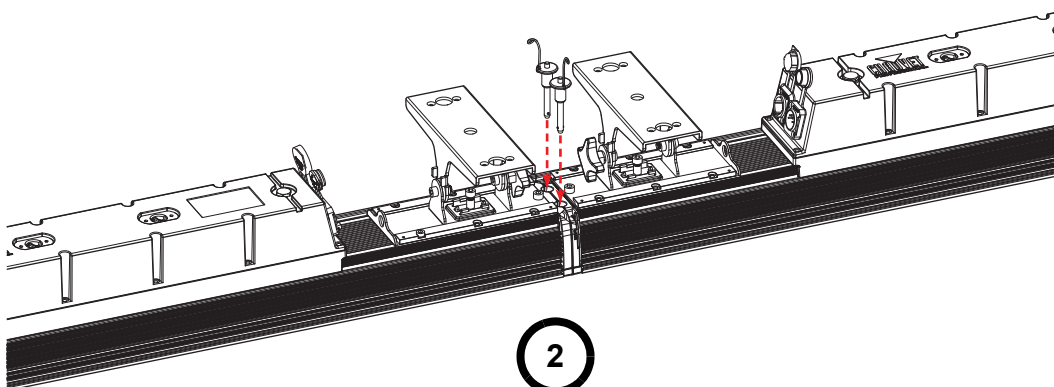
1. Alinéelos de extremo a extremo de forma que los lazos de ambos extremos del producto estén alineados entre sí.
2. Presione y mantenga presionado el botón de cierre de la primera clavija de retención e insértelo a través de uno de los juegos de lazos de ambos productos. Suelte el botón de cierre y luego repita con la otra clavija.



1



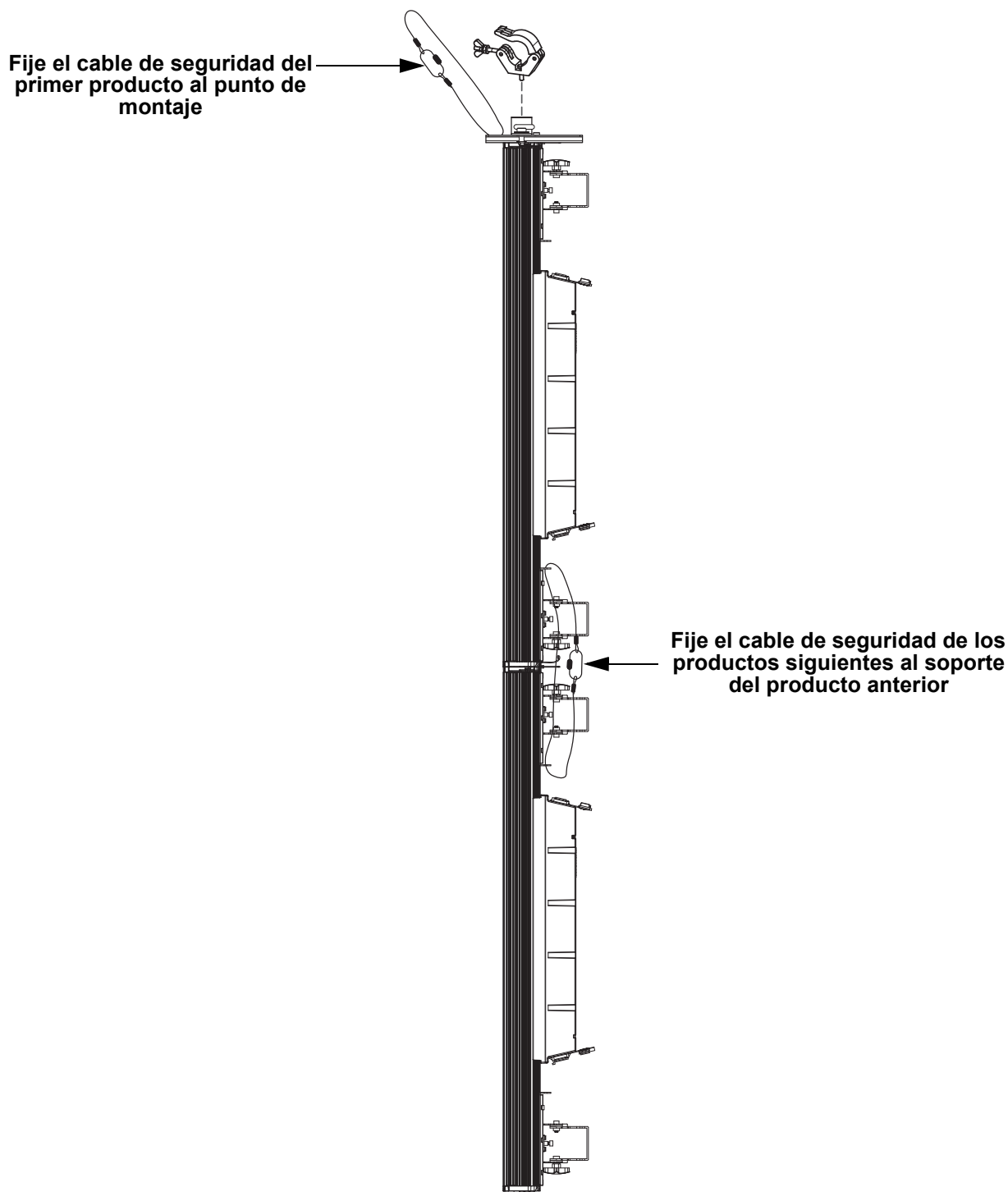
2



Instale el cable de seguridad en último lugar cuando acople productos COLORado Batten Q15 en serie.

Montaje de productos acoplados en serie

1. Acople la placa base al primer producto de la serie. (Véase [Acoplamiento de la placa base](#))
2. Acople un soporte omega a la placa base y una abrazadera al soporte omega.
3. Fije la abrazadera a la estructura o superficie que desee.
4. Fije un cable de seguridad al lazo de seguridad del producto.



Nunca acople más de 2 productos juntos cuando los cuelgue verticalmente de un solo punto de montaje.

Descripción del Panel de Control

Botón	Función
<MENU>	Salir del menú o función actual
<ENTER>	Habilita el menú actualmente en pantalla o configura el valor seleccionado actualmente dentro de la función seleccionada
<UP>	Navega hacia arriba por la lista de menú o aumenta el valor numérico cuando está en una función
<DOWN>	Navega hacia abajo por la lista de menú o disminuye el valor numérico cuando está en una función

Código de acceso

Después de que se le solicite, introduzca el siguiente código de acceso pulsando: <UP>, <DOWN>, <UP>, <DOWN>, <ENTER>. Este código no se puede cambiar y se debe usar cuando se le solicite.

Tabla de Macro de Color

Valor del Canal DMX	Valor Rojo	Valor Verde	Valor Azul	Valor Ámbar	Valor Blanco
000 ⇔ 010	Sin función	Sin función	Sin función	Sin función	Sin función
011 ⇔ 034	100%	0–100%	0%	0%	0%
035 ⇔ 059	100–0%	100%	0%	0%	0%
060 ⇔ 084	0%	100%	0–100%	0%	0%
085 ⇔ 109	0%	100–0%	100%	0%	0%
110 ⇔ 134	0–100%	0%	100%	0%	0%
135 ⇔ 159	100%	0%	100–0%	0%	0%
160 ⇔ 184	100%	0–100%	0–100%	0%	0%
185 ⇔ 209	100–0%	100–0%	100%	0%	0%
210 ⇔ 255	100%	100%	100%	100%	100%

Gráfico de temperaturas de color

Valor del Canal DMX	Temperatura de Color
000 ⇔ 010	Sin función
011 ⇔ 028	1800K
029 ⇔ 046	2200K
047 ⇔ 064	2700K
065 ⇔ 082	3000K
083 ⇔ 100	3200K
101 ⇔ 118	3500K
119 ⇔ 136	4000K
137 ⇔ 154	4200K
155 ⇔ 172	4500K
173 ⇔ 190	5600K
191 ⇔ 208	6000K
209 ⇔ 226	6500K
227 ⇔ 244	7200K
245 ⇔ 255	8000K



Las temperaturas de color que aparecen arriba son interpretaciones simuladas de la emisión de color producida cuando se compara con una lámpara de tungsteno a la temperatura de color especificada. Chauvet no garantiza la exactitud del color emitido.

Mapa de Menú

 Consulte la página del producto COLORado Batten Q15 en www.chauvetprofessional.com para ver el último mapa de menú.

Nivel Principal	Niveles de Programación			Descripción	
Start Address	1–509*			Selecciona la dirección de inicio (*canal más alto restringido a la elección de personalidad)	
Personality	1 Simple			4-canales: RGBW	
	1 Basic			8-canales: 16 bits atenuador, RGBW, macros de color, estroboscopio	
	1 Advanced			10-canales: 16 bits atenuador, RGBW, macros de color, temperatura de color, estroboscopio, velocidad del atenuador	
	1 HSIC			6-canales: atenuador, 16 bits tono, saturación, estroboscopio, velocidad del atenuador	
	15 Pixel			45-canales (15-celdas): RGB (por celda)	
	15 Simple			60-canales (15-celdas): RGBW (por celda)	
	15 Basic			64-canales (15-celdas): 16 bits atenuador, RGBW (por celda), macros de color, estroboscopio	
	15 Advanced			66-canales (15-celdas): 16 bits atenuador, RGBW (por celda), macros de color, color temperatura de color, estroboscopio, velocidad del atenuador	
Output Setting	Power Mode			Evita pasar de la temperatura máxima ajustando la intensidad de salida	
	Steady Mode			Utiliza una intensidad mas baja de salida a una tasa constante para evitar pasar de la temperatura máxima	
Static Colors	Preset Colors	Color 1–14	0–100%	Colores estáticos preestablecidos	
	CCT Temper	White 1–14		Temperaturas de color preestablecidas	
	RGBW	Red	0–255	Combina rojo, verde, azul y blanco para generar un color personalizado	
		Green			
Blue					
White					
Auto Programs	Run	AUTO.1–10		SPEED 0–100%	Selecciona programas automáticos y velocidad de programas
		Program 1–10			
	Edit	Program 1–10	Scene-01–30	Red 0–255	Selecciona y edita un programa personalizable
				Green 0–255	
				Blue 0–255	
White 0–255					
Master/Slave	Master			Modo DMX (maestro)	
	Slave			Modo esclavo	
Dimmer Mode	OFF			Atenuador lineal	
	DIM1–4			Curvas de atenuador DIM1 (rápido) a DIM4 (lento)	

Nivel Principal	Niveles de Programación		Descripción	
LED Frequency	1200Hz		Selecciona la frecuencia de emisión PWM	
	2000Hz			
	2400Hz			
	4000Hz			
	6000Hz			
	25000Hz			
Cell Order	1 - 15(Left to Right)		Establece el orden de las celdas	
	15 - 1(Right to Left)			
Settings	**** (Enter Passcode)	DMX Error/ Loss	Hold Last Blackout	Continúa con el último comando tras la pérdida de control DMX Oscuro el dispositivo tras la pérdida de señal DMX
		Disp TimeOut	On	Retro-iluminación de la pantalla siempre activa
	10s		Retro-iluminación de la pantalla se apaga después de 10 segundos de inactividad	
	20s		Retro-iluminación de la pantalla se apaga después de 20 segundos de inactividad	
	30s		Retro-iluminación de la pantalla se apaga después de 30 segundos de inactividad	
	Disp Passcode	On	Bloquea la pantalla (la contraseña es <UP>, <DOWN>, <UP>, <DOWN>, <ENTER>)	
		Off		
Information	Fixture Hours		___ Hours	Muestra el nombre total de las horas del producto
	Firmware Version		V_._	Muestra instalada la versión de firmware
	RDM	UID	-----	Muestra el UID # del producto
		Label	Batten Q15	Muestra el nombre del producto para RDM
Factory Reset	No	**** (Enter Passcode)	Reinicia a la configuración de fábrica	
	Yes			

Valores DMX de 15 celdas
15 HSIC (76 canales)

Canal	Función	Valor	Porcentaje/Configuración
1	Atenuador 1	000 ⇄ 255	0–100%
2	Tono 1	000 ⇄ 255	0–100%
3	Tono fino 1	000 ⇄ 255	0–100%
4	Saturación 1	000 ⇄ 255	0–100%
5	Estroboscopio 1	000 ⇄ 009	Sin función
		010 ⇄ 099	Estroboscopio, lento a rápido
		100 ⇄ 109	Sin función
		110 ⇄ 179	Efecto relámpago, lento a rápido
		180 ⇄ 189	Sin función
		190 ⇄ 255	Estroboscopio aleatorio, lento a rápido
6	Atenuador 2	000 ⇄ 255	0–100%
7	Tono 2	000 ⇄ 255	0–100%
8	Tono fino 2	000 ⇄ 255	0–100%
9	Saturación 2	000 ⇄ 255	0–100%
10	Estroboscopio 2	000 ⇄ 009	Sin función
		010 ⇄ 099	Estroboscopio, lento a rápido
		100 ⇄ 109	Sin función
		110 ⇄ 179	Efecto relámpago, lento a rápido
		180 ⇄ 189	Sin función
		190 ⇄ 255	Estroboscopio aleatorio, lento a rápido
11	Atenuador 3	000 ⇄ 255	0–100%
12	Tono 3	000 ⇄ 255	0–100%
13	Tono fino 3	000 ⇄ 255	0–100%
14	Saturación 3	000 ⇄ 255	0–100%
15	Estroboscopio 3	000 ⇄ 009	Sin función
		010 ⇄ 099	Estroboscopio, lento a rápido
		100 ⇄ 109	Sin función
		110 ⇄ 179	Efecto relámpago, lento a rápido
		180 ⇄ 189	Sin función
		190 ⇄ 255	Estroboscopio aleatorio, lento a rápido
16	Atenuador 4	000 ⇄ 255	0–100%
17	Tono 4	000 ⇄ 255	0–100%
18	Tono fino 4	000 ⇄ 255	0–100%
19	Saturación 4	000 ⇄ 255	0–100%
20	Estroboscopio 4	000 ⇄ 009	Sin función
		010 ⇄ 099	Estroboscopio, lento a rápido
		100 ⇄ 109	Sin función
		110 ⇄ 179	Efecto relámpago, lento a rápido
		180 ⇄ 189	Sin función
		190 ⇄ 255	Estroboscopio aleatorio, lento a rápido
21	Atenuador 5	000 ⇄ 255	0–100%
22	Tono 5	000 ⇄ 255	0–100%
23	Tono fino 5	000 ⇄ 255	0–100%
24	Saturación 5	000 ⇄ 255	0–100%
25	Estroboscopio 5	000 ⇄ 009	Sin función
		010 ⇄ 099	Estroboscopio, lento a rápido
		100 ⇄ 109	Sin función
		110 ⇄ 179	Efecto relámpago, lento a rápido
		180 ⇄ 189	Sin función
		190 ⇄ 255	Estroboscopio aleatorio, lento a rápido
26	Atenuador 6	000 ⇄ 255	0–100%
27	Tono 6	000 ⇄ 255	0–100%
28	Tono fino 6	000 ⇄ 255	0–100%

Canal	Función	Valor	Porcentaje/Configuración
29	Saturación 6	000 ⇔ 255	0–100%
30	Estroboscopio 6	000 ⇔ 009	Sin función
		010 ⇔ 099	Estroboscopio, lento a rápido
		100 ⇔ 109	Sin función
		110 ⇔ 179	Efecto relámpago, lento a rápido
		180 ⇔ 189	Sin función
		190 ⇔ 255	Estroboscopio aleatorio, lento a rápido
31	Atenuador 7	000 ⇔ 255	0–100%
32	Tono 7	000 ⇔ 255	0–100%
33	Tono fino 7	000 ⇔ 255	0–100%
34	Saturación 7	000 ⇔ 255	0–100%
35	Estroboscopio 7	000 ⇔ 009	Sin función
		010 ⇔ 099	Estroboscopio, lento a rápido
		100 ⇔ 109	Sin función
		110 ⇔ 179	Efecto relámpago, lento a rápido
		180 ⇔ 189	Sin función
		190 ⇔ 255	Estroboscopio aleatorio, lento a rápido
36	Atenuador 8	000 ⇔ 255	0–100%
37	Tono 8	000 ⇔ 255	0–100%
38	Tono fino 8	000 ⇔ 255	0–100%
39	Saturación 8	000 ⇔ 255	0–100%
40	Estroboscopio 8	000 ⇔ 009	Sin función
		010 ⇔ 099	Estroboscopio, lento a rápido
		100 ⇔ 109	Sin función
		110 ⇔ 179	Efecto relámpago, lento a rápido
		180 ⇔ 189	Sin función
		190 ⇔ 255	Estroboscopio aleatorio, lento a rápido
41	Atenuador 9	000 ⇔ 255	0–100%
42	Tono 9	000 ⇔ 255	0–100%
43	Tono fino 9	000 ⇔ 255	0–100%
44	Saturación 9	000 ⇔ 255	0–100%
45	Estroboscopio 9	000 ⇔ 009	Sin función
		010 ⇔ 099	Estroboscopio, lento a rápido
		100 ⇔ 109	Sin función
		110 ⇔ 179	Efecto relámpago, lento a rápido
		180 ⇔ 189	Sin función
		190 ⇔ 255	Estroboscopio aleatorio, lento a rápido
46	Atenuador 10	000 ⇔ 255	0–100%
47	Tono 10	000 ⇔ 255	0–100%
48	Tono fino 10	000 ⇔ 255	0–100%
49	Saturación 10	000 ⇔ 255	0–100%
50	Estroboscopio 10	000 ⇔ 009	Sin función
		010 ⇔ 099	Estroboscopio, lento a rápido
		100 ⇔ 109	Sin función
		110 ⇔ 179	Efecto relámpago, lento a rápido
		180 ⇔ 189	Sin función
		190 ⇔ 255	Estroboscopio aleatorio, lento a rápido
51	Atenuador 11	000 ⇔ 255	0–100%
52	Tono 11	000 ⇔ 255	0–100%
53	Tono fino 11	000 ⇔ 255	0–100%
54	Saturación 11	000 ⇔ 255	0–100%

Canal	Función	Valor	Porcentaje/Configuración
55	Estroboscopio 11	000 ⇔ 009	Sin función
		010 ⇔ 099	Estroboscopio, lento a rápido
		100 ⇔ 109	Sin función
		110 ⇔ 179	Efecto relámpago, lento a rápido
		180 ⇔ 189	Sin función
		190 ⇔ 255	Estroboscopio aleatorio, lento a rápido
56	Atenuador 12	000 ⇔ 255	0–100%
57	Tono 12	000 ⇔ 255	0–100%
58	Tono fino 12	000 ⇔ 255	0–100%
59	Saturación 12	000 ⇔ 255	0–100%
60	Estroboscopio 12	000 ⇔ 009	Sin función
		010 ⇔ 099	Estroboscopio, lento a rápido
		100 ⇔ 109	Sin función
		110 ⇔ 179	Efecto relámpago, lento a rápido
		180 ⇔ 189	Sin función
		190 ⇔ 255	Estroboscopio aleatorio, lento a rápido
61	Atenuador 13	000 ⇔ 255	0–100%
62	Tono 13	000 ⇔ 255	0–100%
63	Tono fino 13	000 ⇔ 255	0–100%
64	Saturación 13	000 ⇔ 255	0–100%
65	Estroboscopio 13	000 ⇔ 009	Sin función
		010 ⇔ 099	Estroboscopio, lento a rápido
		100 ⇔ 109	Sin función
		110 ⇔ 179	Efecto relámpago, lento a rápido
		180 ⇔ 189	Sin función
		190 ⇔ 255	Estroboscopio aleatorio, lento a rápido
66	Atenuador 14	000 ⇔ 255	0–100%
67	Tono 14	000 ⇔ 255	0–100%
68	Tono fino 14	000 ⇔ 255	0–100%
69	Saturación 14	000 ⇔ 255	0–100%
70	Estroboscopio 14	000 ⇔ 009	Sin función
		010 ⇔ 099	Estroboscopio, lento a rápido
		100 ⇔ 109	Sin función
		110 ⇔ 179	Efecto relámpago, lento a rápido
		180 ⇔ 189	Sin función
		190 ⇔ 255	Estroboscopio aleatorio, lento a rápido
71	Atenuador 15	000 ⇔ 255	0–100%
72	Tono 15	000 ⇔ 255	0–100%
73	Tono fino 15	000 ⇔ 255	0–100%
74	Saturación 15	000 ⇔ 255	0–100%
75	Estroboscopio 15	000 ⇔ 009	Sin función
		010 ⇔ 099	Estroboscopio, lento a rápido
		100 ⇔ 109	Sin función
		110 ⇔ 179	Efecto relámpago, lento a rápido
		180 ⇔ 189	Sin función
		190 ⇔ 255	Estroboscopio aleatorio, lento a rápido
76	Velocidad de atenuador	000 ⇔ 009	Ajuste de la velocidad del atenuador desde la pantalla
		010 ⇔ 029	Modo velocidad del atenuador desactivado
		030 ⇔ 069	Velocidad de atenuador 1 (rápida)
		070 ⇔ 129	Velocidad de atenuador 2
		130 ⇔ 189	Velocidad de atenuador 3
		190 ⇔ 255	Velocidad de atenuador 4 (lenta)

15 “Advanced” (66 canales)

Channel	Function	Value	Percent/Setting
1	Atenuador	000 ⇔ 255	0–100%
2	Atenuador fino	000 ⇔ 255	0–100%
3	Rojo 1	000 ⇔ 255	0–100%
4	Verde 1	000 ⇔ 255	0–100%
5	Azul 1	000 ⇔ 255	0–100%
6	Blanco 1	000 ⇔ 255	0–100%
7	Rojo 2	000 ⇔ 255	0–100%
8	Verde 2	000 ⇔ 255	0–100%
9	Azul 2	000 ⇔ 255	0–100%
10	Blanco 2	000 ⇔ 255	0–100%
11	Rojo 3	000 ⇔ 255	0–100%
12	Verde 3	000 ⇔ 255	0–100%
13	Azul 3	000 ⇔ 255	0–100%
14	Blanco 3	000 ⇔ 255	0–100%
15	Rojo 4	000 ⇔ 255	0–100%
16	Verde 4	000 ⇔ 255	0–100%
17	Azul 4	000 ⇔ 255	0–100%
18	Blanco 4	000 ⇔ 255	0–100%
19	Rojo 5	000 ⇔ 255	0–100%
20	Verde 5	000 ⇔ 255	0–100%
21	Azul 5	000 ⇔ 255	0–100%
22	Blanco 5	000 ⇔ 255	0–100%
23	Rojo 6	000 ⇔ 255	0–100%
24	Verde 6	000 ⇔ 255	0–100%
25	Azul 6	000 ⇔ 255	0–100%
26	Blanco 6	000 ⇔ 255	0–100%
27	Rojo 7	000 ⇔ 255	0–100%
28	Verde 7	000 ⇔ 255	0–100%
29	Azul 7	000 ⇔ 255	0–100%
30	Blanco 7	000 ⇔ 255	0–100%
31	Rojo 8	000 ⇔ 255	0–100%
32	Verde 8	000 ⇔ 255	0–100%
33	Azul 8	000 ⇔ 255	0–100%
34	Blanco 8	000 ⇔ 255	0–100%
35	Rojo 9	000 ⇔ 255	0–100%
36	Verde 9	000 ⇔ 255	0–100%
37	Azul 9	000 ⇔ 255	0–100%
38	Blanco 9	000 ⇔ 255	0–100%
39	Rojo 10	000 ⇔ 255	0–100%
40	Verde 10	000 ⇔ 255	0–100%
41	Azul 10	000 ⇔ 255	0–100%
42	Blanco 10	000 ⇔ 255	0–100%
43	Rojo 11	000 ⇔ 255	0–100%
44	Verde 11	000 ⇔ 255	0–100%
45	Azul 11	000 ⇔ 255	0–100%
46	Blanco 11	000 ⇔ 255	0–100%
47	Rojo 12	000 ⇔ 255	0–100%
48	Verde 12	000 ⇔ 255	0–100%
49	Azul 12	000 ⇔ 255	0–100%
50	Blanco 12	000 ⇔ 255	0–100%
51	Rojo 13	000 ⇔ 255	0–100%
52	Verde 13	000 ⇔ 255	0–100%
53	Azul 13	000 ⇔ 255	0–100%
54	Blanco 13	000 ⇔ 255	0–100%

Channel	Function	Value	Percent/Setting
55	Rojo 14	000 ⇔ 255	0–100%
56	Verde 14	000 ⇔ 255	0–100%
57	Azul 14	000 ⇔ 255	0–100%
58	Blanco 14	000 ⇔ 255	0–100%
59	Rojo 15	000 ⇔ 255	0–100%
60	Verde 15	000 ⇔ 255	0–100%
61	Azul 15	000 ⇔ 255	0–100%
62	Blanco 15	000 ⇔ 255	0–100%
63	Macros de color	000 ⇔ 255	Consulte la sección Tabla de Macro de Color
64	Temperatura de color	000 ⇔ 255	Consulte la sección Gráfico de temperaturas de color
65	Estroboscopio	000 ⇔ 009	Sin función
		010 ⇔ 099	Estroboscopio, lento a rápido
		100 ⇔ 109	Sin función
		110 ⇔ 179	Efecto relámpago, lento a rápido
		180 ⇔ 189	Sin función
		190 ⇔ 255	Estroboscopio aleatorio, lento a rápido
66	Velocidad de atenuador	000 ⇔ 009	Ajuste de la velocidad del atenuador desde la pantalla
		010 ⇔ 029	Modo velocidad del atenuador desactivado
		030 ⇔ 069	Velocidad de atenuador 1 (rápida)
		070 ⇔ 129	Velocidad de atenuador 2
		130 ⇔ 189	Velocidad de atenuador 3
		190 ⇔ 255	Velocidad de atenuador 4 (lenta)

15 “Basic” (64 canales)

Channel	Function	Value	Percent/Setting
1	Atenuador	000 ⇔ 255	0–100%
2	Atenuador fino	000 ⇔ 255	0–100%
3	Rojo 1	000 ⇔ 255	0–100%
4	Verde 1	000 ⇔ 255	0–100%
5	Azul 1	000 ⇔ 255	0–100%
6	Blanco 1	000 ⇔ 255	0–100%
7	Rojo 2	000 ⇔ 255	0–100%
8	Verde 2	000 ⇔ 255	0–100%
9	Azul 2	000 ⇔ 255	0–100%
10	Blanco 2	000 ⇔ 255	0–100%
11	Rojo 3	000 ⇔ 255	0–100%
12	Verde 3	000 ⇔ 255	0–100%
13	Azul 3	000 ⇔ 255	0–100%
14	Blanco 3	000 ⇔ 255	0–100%
15	Rojo 4	000 ⇔ 255	0–100%
16	Verde 4	000 ⇔ 255	0–100%
17	Azul 4	000 ⇔ 255	0–100%
18	Blanco 4	000 ⇔ 255	0–100%
19	Rojo 5	000 ⇔ 255	0–100%
20	Verde 5	000 ⇔ 255	0–100%
21	Azul 5	000 ⇔ 255	0–100%
22	Blanco 5	000 ⇔ 255	0–100%
23	Rojo 6	000 ⇔ 255	0–100%
24	Verde 6	000 ⇔ 255	0–100%
25	Azul 6	000 ⇔ 255	0–100%
26	Blanco 6	000 ⇔ 255	0–100%
27	Rojo 7	000 ⇔ 255	0–100%
28	Verde 7	000 ⇔ 255	0–100%
29	Azul 7	000 ⇔ 255	0–100%
30	Blanco 7	000 ⇔ 255	0–100%

Channel	Function	Value	Percent/Setting
31	Rojo 8	000 ⇔ 255	0–100%
32	Verde 8	000 ⇔ 255	0–100%
33	Azul 8	000 ⇔ 255	0–100%
34	Blanco 8	000 ⇔ 255	0–100%
35	Rojo 9	000 ⇔ 255	0–100%
36	Verde 9	000 ⇔ 255	0–100%
37	Azul 9	000 ⇔ 255	0–100%
38	Blanco 9	000 ⇔ 255	0–100%
39	Rojo 10	000 ⇔ 255	0–100%
40	Verde 10	000 ⇔ 255	0–100%
41	Azul 10	000 ⇔ 255	0–100%
42	Blanco 10	000 ⇔ 255	0–100%
43	Rojo 11	000 ⇔ 255	0–100%
44	Verde 11	000 ⇔ 255	0–100%
45	Azul 11	000 ⇔ 255	0–100%
46	Blanco 11	000 ⇔ 255	0–100%
47	Rojo 12	000 ⇔ 255	0–100%
48	Verde 12	000 ⇔ 255	0–100%
49	Azul 12	000 ⇔ 255	0–100%
50	Blanco 12	000 ⇔ 255	0–100%
51	Rojo 13	000 ⇔ 255	0–100%
52	Verde 13	000 ⇔ 255	0–100%
53	Azul 13	000 ⇔ 255	0–100%
54	Blanco 13	000 ⇔ 255	0–100%
55	Rojo 14	000 ⇔ 255	0–100%
56	Verde 14	000 ⇔ 255	0–100%
57	Azul 14	000 ⇔ 255	0–100%
58	Blanco 14	000 ⇔ 255	0–100%
59	Rojo 15	000 ⇔ 255	0–100%
60	Verde 15	000 ⇔ 255	0–100%
61	Azul 15	000 ⇔ 255	0–100%
62	Blanco 15	000 ⇔ 255	0–100%
63	Macros de color	000 ⇔ 255	Consulte la sección Tabla de Macro de Color
64	Estroboscopio	000 ⇔ 009 010 ⇔ 099 100 ⇔ 109 110 ⇔ 179 180 ⇔ 189 190 ⇔ 255	Sin función Estroboscopio, lento a rápido Sin función Efecto relámpago, lento a rápido Sin función Estroboscopio aleatorio, lento a rápido

15 “Simple” (60 canales)

Channel	Function	Value	Percent/Setting
1	Rojo 1	000 ⇔ 255	0–100%
2	Verde 1	000 ⇔ 255	0–100%
3	Azul 1	000 ⇔ 255	0–100%
4	Blanco 1	000 ⇔ 255	0–100%
5	Rojo 2	000 ⇔ 255	0–100%
6	Verde 2	000 ⇔ 255	0–100%
7	Azul 2	000 ⇔ 255	0–100%
8	Blanco 2	000 ⇔ 255	0–100%
9	Rojo 3	000 ⇔ 255	0–100%
10	Verde 3	000 ⇔ 255	0–100%
11	Azul 3	000 ⇔ 255	0–100%
12	Blanco 3	000 ⇔ 255	0–100%
13	Rojo 4	000 ⇔ 255	0–100%

Channel	Function	Value	Percent/Setting
14	Verde 4	000 ⇄ 255	0–100%
15	Azul 4	000 ⇄ 255	0–100%
16	Blanco 4	000 ⇄ 255	0–100%
17	Rojo 5	000 ⇄ 255	0–100%
18	Verde 5	000 ⇄ 255	0–100%
19	Azul 5	000 ⇄ 255	0–100%
20	Blanco 5	000 ⇄ 255	0–100%
21	Rojo 6	000 ⇄ 255	0–100%
22	Verde 6	000 ⇄ 255	0–100%
23	Azul 6	000 ⇄ 255	0–100%
24	Blanco 6	000 ⇄ 255	0–100%
25	Rojo 7	000 ⇄ 255	0–100%
26	Verde 7	000 ⇄ 255	0–100%
27	Azul 7	000 ⇄ 255	0–100%
28	Blanco 7	000 ⇄ 255	0–100%
29	Rojo 8	000 ⇄ 255	0–100%
30	Verde 8	000 ⇄ 255	0–100%
31	Azul 8	000 ⇄ 255	0–100%
32	Blanco 8	000 ⇄ 255	0–100%
33	Rojo 9	000 ⇄ 255	0–100%
34	Verde 9	000 ⇄ 255	0–100%
35	Azul 9	000 ⇄ 255	0–100%
36	Blanco 9	000 ⇄ 255	0–100%
37	Rojo 10	000 ⇄ 255	0–100%
38	Verde 10	000 ⇄ 255	0–100%
39	Azul 10	000 ⇄ 255	0–100%
40	Blanco 10	000 ⇄ 255	0–100%
41	Rojo 11	000 ⇄ 255	0–100%
42	Verde 11	000 ⇄ 255	0–100%
43	Azul 11	000 ⇄ 255	0–100%
44	Blanco 11	000 ⇄ 255	0–100%
45	Rojo 12	000 ⇄ 255	0–100%
46	Verde 12	000 ⇄ 255	0–100%
47	Azul 12	000 ⇄ 255	0–100%
48	Blanco 12	000 ⇄ 255	0–100%
49	Rojo 13	000 ⇄ 255	0–100%
50	Verde 13	000 ⇄ 255	0–100%
51	Azul 13	000 ⇄ 255	0–100%
52	Blanco 13	000 ⇄ 255	0–100%
53	Rojo 14	000 ⇄ 255	0–100%
54	Verde 14	000 ⇄ 255	0–100%
55	Azul 14	000 ⇄ 255	0–100%
56	Blanco 14	000 ⇄ 255	0–100%
57	Rojo 15	000 ⇄ 255	0–100%
58	Verde 15	000 ⇄ 255	0–100%
59	Azul 15	000 ⇄ 255	0–100%
60	Blanco 15	000 ⇄ 255	0–100%

15 “Pixel” (45 canales)

Channel	Function	Value	Percent/Setting
1	Rojo 1	000 ⇔ 255	0–100%
2	Verde 1	000 ⇔ 255	0–100%
3	Azul 1	000 ⇔ 255	0–100%
4	Rojo 2	000 ⇔ 255	0–100%
5	Verde 2	000 ⇔ 255	0–100%
6	Azul 2	000 ⇔ 255	0–100%
7	Rojo 3	000 ⇔ 255	0–100%
8	Verde 3	000 ⇔ 255	0–100%
9	Azul 3	000 ⇔ 255	0–100%
10	Rojo 4	000 ⇔ 255	0–100%
11	Verde 4	000 ⇔ 255	0–100%
12	Azul 4	000 ⇔ 255	0–100%
13	Rojo 5	000 ⇔ 255	0–100%
14	Verde 5	000 ⇔ 255	0–100%
15	Azul 5	000 ⇔ 255	0–100%
16	Rojo 6	000 ⇔ 255	0–100%
17	Verde 6	000 ⇔ 255	0–100%
18	Azul 6	000 ⇔ 255	0–100%
19	Rojo 7	000 ⇔ 255	0–100%
20	Verde 7	000 ⇔ 255	0–100%
21	Azul 7	000 ⇔ 255	0–100%
22	Rojo 8	000 ⇔ 255	0–100%
23	Verde 8	000 ⇔ 255	0–100%
24	Azul 8	000 ⇔ 255	0–100%
25	Rojo 9	000 ⇔ 255	0–100%
26	Verde 9	000 ⇔ 255	0–100%
27	Azul 9	000 ⇔ 255	0–100%
28	Rojo 10	000 ⇔ 255	0–100%
29	Verde 10	000 ⇔ 255	0–100%
30	Azul 10	000 ⇔ 255	0–100%
31	Rojo 11	000 ⇔ 255	0–100%
32	Verde 11	000 ⇔ 255	0–100%
33	Azul 11	000 ⇔ 255	0–100%
34	Rojo 12	000 ⇔ 255	0–100%
35	Verde 12	000 ⇔ 255	0–100%
36	Azul 12	000 ⇔ 255	0–100%
37	Rojo 13	000 ⇔ 255	0–100%
38	Verde 13	000 ⇔ 255	0–100%
39	Azul 13	000 ⇔ 255	0–100%
40	Rojo 14	000 ⇔ 255	0–100%
41	Verde 14	000 ⇔ 255	0–100%
42	Azul 14	000 ⇔ 255	0–100%
43	Rojo 15	000 ⇔ 255	0–100%
44	Verde 15	000 ⇔ 255	0–100%
45	Azul 15	000 ⇔ 255	0–100%

Valores DMX de 1 celda
1 HSIC (6 canales)

Canal	Función	Valor	Porcentaje/Configuración
1	Atenuador	000 ⇔ 255	0–100%
2	Tono	000 ⇔ 255	0–100%
3	Tono fino	000 ⇔ 255	0–100%
4	Saturación	000 ⇔ 255	0–100%
5	Estroboscopio	000 ⇔ 009	Sin función
		010 ⇔ 099	Estroboscopio, lento a rápido
		100 ⇔ 109	Sin función
		110 ⇔ 179	Efecto relámpago, lento a rápido
		180 ⇔ 189	Sin función
		190 ⇔ 255	Estroboscopio aleatorio, lento a rápido
6	Velocidad de atenuador	000 ⇔ 009	Ajuste de la velocidad del atenuador desde la pantalla
		010 ⇔ 029	Modo velocidad del atenuador desactivado
		030 ⇔ 069	Velocidad de atenuador 1 (rápida)
		070 ⇔ 129	Velocidad de atenuador 2
		130 ⇔ 189	Velocidad de atenuador 3
		190 ⇔ 255	Velocidad de atenuador 4 (lenta)

1 “Advanced” (10 canales)

Canal	Función	Valor	Porcentaje/Configuración
1	Atenuador	000 ⇔ 255	0–100%
2	Atenuador fino	000 ⇔ 255	0–100%
3	Rojo	000 ⇔ 255	0–100%
4	Verde	000 ⇔ 255	0–100%
5	Azul	000 ⇔ 255	0–100%
6	Blanco	000 ⇔ 255	0–100%
7	Macros de color	000 ⇔ 255	Consulte la sección Tabla de Macro de Color
8	Temperatura de color	000 ⇔ 255	Consulte la sección Gráfico de temperaturas de color
9	Estroboscopio	000 ⇔ 009	Sin función
		010 ⇔ 099	Estroboscopio, lento a rápido
		100 ⇔ 109	Sin función
		110 ⇔ 179	Efecto relámpago, lento a rápido
		180 ⇔ 189	Sin función
		190 ⇔ 255	Estroboscopio aleatorio, lento a rápido
10	Velocidad de atenuador	000 ⇔ 009	Ajuste de la velocidad del atenuador desde la pantalla
		010 ⇔ 029	Modo velocidad del atenuador desactivado
		030 ⇔ 069	Velocidad de atenuador 1 (rápida)
		070 ⇔ 129	Velocidad de atenuador 2
		130 ⇔ 189	Velocidad de atenuador 3
		190 ⇔ 255	Velocidad de atenuador 4 (lenta)

ES

1 “Basic” (8 canales)

Canal	Función	Valor	Porcentaje/Configuración
1	Atenuador	000 ⇔ 255	0–100%
2	Atenuador fino	000 ⇔ 255	0–100%
3	Rojo	000 ⇔ 255	0–100%
4	Verde	000 ⇔ 255	0–100%
5	Azul	000 ⇔ 255	0–100%
6	Blanco	000 ⇔ 255	0–100%
7	Macros de color	000 ⇔ 255	Consulte la sección Tabla de Macro de Color
8	Estroboscopio	000 ⇔ 009	Sin función
		010 ⇔ 099	Estroboscopio, lento a rápido
		100 ⇔ 109	Sin función
		110 ⇔ 179	Efecto relámpago, lento a rápido
		180 ⇔ 189	Sin función
		190 ⇔ 255	Estroboscopio aleatorio, lento a rápido

1 “Simple” (4 canales)

Canal	Función	Valor	Porcentaje/Configuración
1	Rojo	000 ⇔ 255	0–100%
2	Verde	000 ⇔ 255	0–100%
3	Azul	000 ⇔ 255	0–100%
4	Blanco	000 ⇔ 255	0–100%

À Propos de ce Manuel

Le Manuel de Référence du COLORado Batten Q15 (MdR) reprend des informations de base sur cet appareil notamment en matière de connexions, montage, options de menu et valeurs DMX. Téléchargez le Manuel d'Utilisation sur www.chauvetprofessional.com pour de plus amples informations.

Clause de Non-Responsabilité

Les informations et caractéristiques contenues dans ce manuel sont sujettes à changement sans préavis.

GARANTIE LIMITÉE

VEUILLEZ VISITER NOTRE SITE INTERNET POUR CONSULTER LES MODALITÉS D'ENREGISTREMENT DE LA GARANTIE ET LES CONDITIONS GÉNÉRALES COMPLÈTES.

Pour les clients aux États-Unis et au Mexique: www.chauvetlighting.com/warranty-registration.

Pour les clients du Royaume-Uni, de la République d'Irlande, de la Belgique, des Pays-Bas, du Luxembourg, de la France et de l'Allemagne: www.chauvetlighting.eu/warranty-registration.

Chauvet garantit que cet appareil est exempt de défauts de matériaux et de fabrication dans des conditions normales d'utilisation, pendant la période spécifiée dans la garantie limitée complète consultable sur notre site Internet et sous réserve des exclusions et limitations qui y sont énoncées. Cette garantie ne s'applique qu'à l'acheteur initial du produit et n'est pas transférable. Pour exercer les droits prévus par cette garantie, vous devez fournir une preuve d'achat sous la forme d'un reçu de vente original d'un revendeur autorisé qui indique le nom du produit et la date d'achat. **IL N'EXISTE AUCUNE AUTRE GARANTIE EXPRESSE OU IMPLICITE.** Cette garantie vous confère des droits légaux spécifiques. Vous pouvez également bénéficier d'autres droits qui varient selon les états et les pays. Cette garantie n'est valable qu'aux États-Unis, au Royaume-Uni, en République d'Irlande, en Belgique, aux Pays-Bas, au Luxembourg, en France, en Allemagne et au Mexique. Pour connaître les conditions de garantie dans d'autres pays, veuillez consulter votre revendeur local.

Consignes de Sécurité

- N'ouvrez PAS cet appareil. Il ne contient aucun composant susceptible d'être réparé par l'utilisateur.
- Durant les périodes de non-utilisation, pour éviter toute usure inutile et pour prolonger la durée de vie, déconnectez entièrement l'appareil en le débranchant de l'alimentation électrique ou en coupant le disjoncteur.
- Ne regardez PAS la source lumineuse lorsque l'appareil fonctionne.
- ATTENTION : le boîtier de cet appareil est brûlant lors du fonctionnement.
- Montez toujours cet appareil dans un endroit bien ventilé, à au moins, 20 pouces (50 cm) des surfaces adjacentes.
- Ne laissez AUCUNE source inflammable dans un rayon de 50 cm de l'appareil lorsque celui-ci fonctionne.
- Attention : Lorsque l'appareil est transféré d'un environnement à température extrême à un autre (par exemple d'un camion froid vers une salle de bal chaude et humide), de la condensation peut se former sur les composants électriques internes. Pour éviter de causer des dommages, laissez l'appareil s'acclimater entièrement au milieu environnant avant de le mettre sous tension.
- Ne convient pas aux installations permanentes en extérieur sur des sites sujets à des conditions environnementales extrêmes. Cela inclut par exemple :
 - L'exposition à un environnement marin ou à une solution saline (à moins de 4,8 kilomètres d'un corps d'eau salée).
 - Lorsque les températures moyennes hautes ou basses du site dépassent les plages de températures indiquées dans ce manuel.
 - Les sites qui sont sujets aux inondations ou qui présentent un risque d'être ensevelis sous la neige.
 - Tout autre endroit où le produit risque d'être soumis à des rayonnements extrêmes ou à des substances caustiques.
- Utilisez TOUJOURS un câble de sécurité lorsque vous montez cet appareil en hauteur.
- N'immergez PAS ce produit (IP 65). Un usage normal en extérieur est autorisé.
- N'utilisez PAS cet appareil si le boîtier, les lentilles ou les câbles vous semblent endommagés.
- Ne connectez PAS cet appareil ni à un gradateur ni à un rhéostat.
- Connectez UNIQUEMENT cet appareil à un circuit protégé et relié à la terre.
- Transportez/Suspendez cet appareil UNIQUEMENT par le support de montage dont il est doté.
- En cas de sérieux problèmes de fonctionnement, arrêtez le système immédiatement.
- La température ambiante maximale supportée par ce produit est de 113 °F (45 °C). Ne le faites pas fonctionner à des températures plus élevées.
- La température de démarrage minimale est de -20°C (-4°F). Ne pas démarrer l'appareil à des températures plus basses.
- La température ambiante minimale est de -30°C (-22°F). Ne pas utiliser l'appareil à des températures plus basses.

Conformité FCC

Cet appareil est conforme à la partie 15, sous-partie B du règlement de la FCC. L'utilisation est soumise aux deux conditions suivantes:

1. Cet appareil ne doit pas causer d'interférences nuisibles, et
2. Cet appareil doit accepter toutes les interférences reçues, y compris celles pouvant entraîner un fonctionnement indésirable.

Tout changement ou modification non expressément approuvé par l'autorité responsable de la conformité pourrait annuler le droit de l'utilisateur à utiliser l'équipement.

Contact

En dehors des États-Unis, du Royaume-Uni, de l'Irlande, du Benelux, de la France, de l'Allemagne, ou du Mexique, contactez votre fournisseur si vous avez besoin d'assistance ou pour retourner un appareil. Référez-vous à [Contact Us](#) à la fin de ce MdR pour obtenir des informations pour nous contacter.

Ce Qui est Inclus

- COLORado Batten Q15
- Cordon d'Alimentation Seetronic Powerkon IP65
- 2 Fixations Omega
- Plaque de soutien
- 2 goupilles de retenue
- Écran anti-éblouissement
- Filtre
- Manuel de Référence

Alimentation CA

Cet appareil est doté d'une alimentation universelle prenant en charge toute tension d'entrée comprise entre 100 et 240 VCA, 50/60 Hz.

Connexion Électrique

Vous pouvez connecter jusqu'à 7 COLORado Batten Q15 à 120 V, 13 unités à 208 V ou 14 unités à 230 V. Vous pouvez vous procurer séparément des cordons d'alimentation.

Prise CA

Connexion	Câble (États-Unis)	Câble (Europe)	Couleur de la vis
Conducteur CA	Noir	Marron	Jaune/Cuivré
Neutre CA	Blanc	Bleu	Argenté
Terre CA	Vert/Jaune	Vert/Jaune	Vert



- **Durant les périodes de non-utilisation, pour éviter toute usure inutile et pour prolonger la durée de vie, déconnectez-entièrement l'appareil en le débranchant de l'alimentation électrique ou en coupant le disjoncteur.**
- **Lors de l'utilisation de cet appareil en environnement extérieur, utilisez des câbles de l'alimentation et de données certifiés IP65 au minimum. Assurez-vous de protéger les ports d'alimentation et de données non utilisés avec les couvercles IP 65 fournis.**

Raccordement DMX

Le COLORado Batten Q15 fonctionnera avec une console DMX au moyen d'une connexion série DMX à 5 broches. Une introduction au DMX est à votre disposition sur www.chauvetprofessional.com.

Connexion DMX

Le COLORado Batten Q15 utilise une connexion de données DMX à 5 broches pour ses 9 personnalités de contrôle allant de 4 canaux à 76 canaux en mode 1 cellule et 15 cellules:

Mode	Pixel	Simple	Basic	Advanced	HSIC
1 cellule	N/A	4	8	10	6
15 cellules	45	60	64	66	76

Connexion Maître/ Esclave

Le COLORado Batten Q15 utilise une connexion de données DMX pour son mode Maître/Esclave. Consultez le Manuel d'Utilisation pour connecter et configurer le mode de fonctionnement Maître/Esclave.

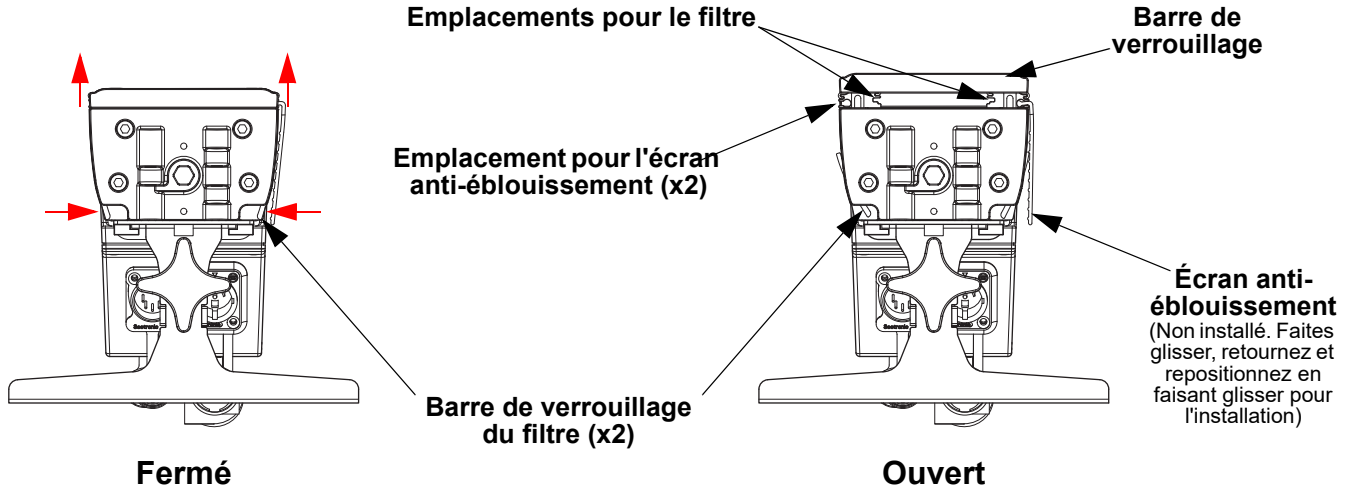
RDM (Gestion des périphériques à distance)

Le protocole RDM (gestion des périphériques à distance) est un standard pour la communication bidirectionnelle des appareils dotés de fonctions DMX dans un câblage DMX existant. Le COLORado Batten Q15 supporte le protocole RDM permettant un retour d'information pour la surveillance et des changements des options de menu. Veuillez télécharger le manuel de l'utilisateur à partir du site internet www.chauvetprofessional.com pour plus de détails.

Installation du filtre

Le COLORado Batten Q15 est équipé d'un filtre et un d'écran anti-éblouissement. Suivez la procédure ci-dessous pour installer ou retirer le filtre ou l'écran anti-éblouissement.

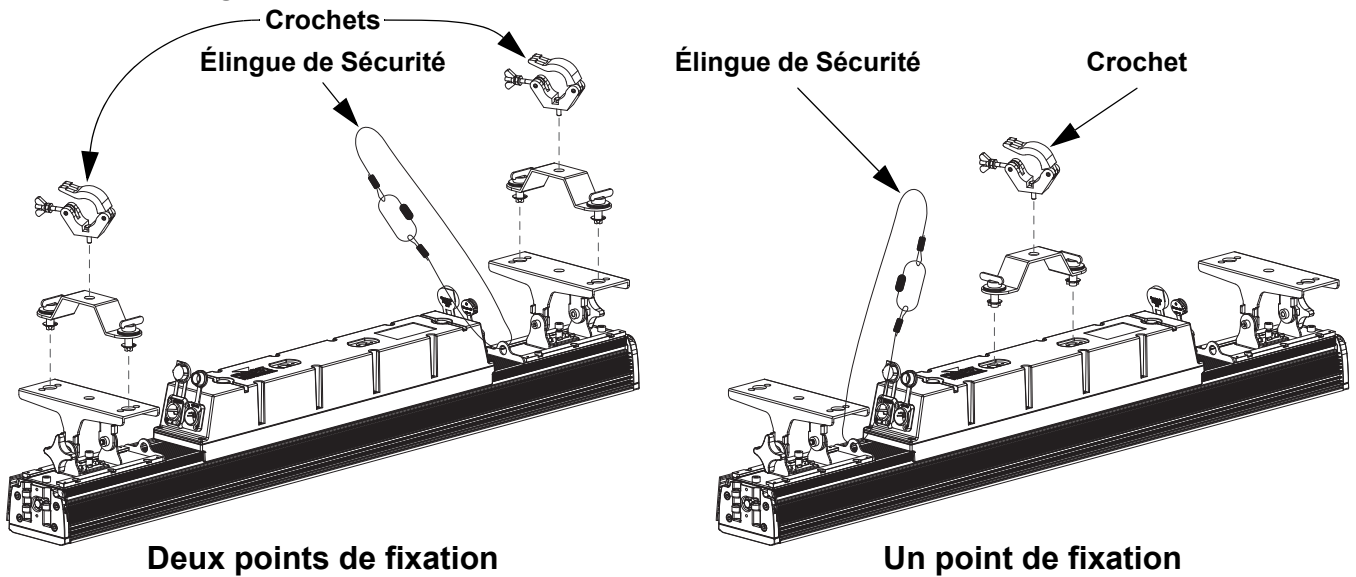
1. Localisez l'extrémité de l'appareil sur le côté sur lequel se trouvent les ports d'alimentation et d'entrée DMX.
2. Serrez les languettes de verrouillage du filtre. La barre de verrouillage apparaîtra.
3. Faites glisser le filtre et / ou l'écran anti-éblouissement vers l'intérieur ou l'extérieur.
4. Appuyez sur la barre de verrouillage jusqu'à ce qu'elle s'enclenche.



Installation

Avant de monter cet appareil, lisez et assimilez les [Consignes de Sécurité](#). Soyez sûr que les crochets sont capables de supporter le poids du produit. Pour voir notre gamme de crochets, rendez-vous sur <http://trusst.com/productcategory/truss-clamps>.

Schéma de Montage de l'Appareil



Plaque de soutien

Chaque COLORado Batten Q15 est livré avec une plaque de soutien et 2 goupilles de retenue qui peuvent être utilisées pour un montage au sol ou une suspension verticale.



Les goupilles de retenue ont chacune un câble de sécurité pour plus de sûreté.

Fixation de la plaque de soutien

Pour fixer la plaque de soutien à l'une des extrémités du COLORado Batten Q15 :

1. Alignez la plaque de soutien de manière à ce que les boucles à l'extrémité de l'appareil et les boucles de la plaque de soutien s'alignent et s'emboîtent.
2. Serrez les vis imperdables sur la plaque de base.
3. Appuyez sur le bouton de verrouillage et maintenez-le enfoncé sur la première goupille de retenue, puis insérez-le dans l'un des ensembles de boucles sur l'appareil et la plaque de soutien. Relâchez le bouton de verrouillage, puis faites de même avec l'autre goupille.

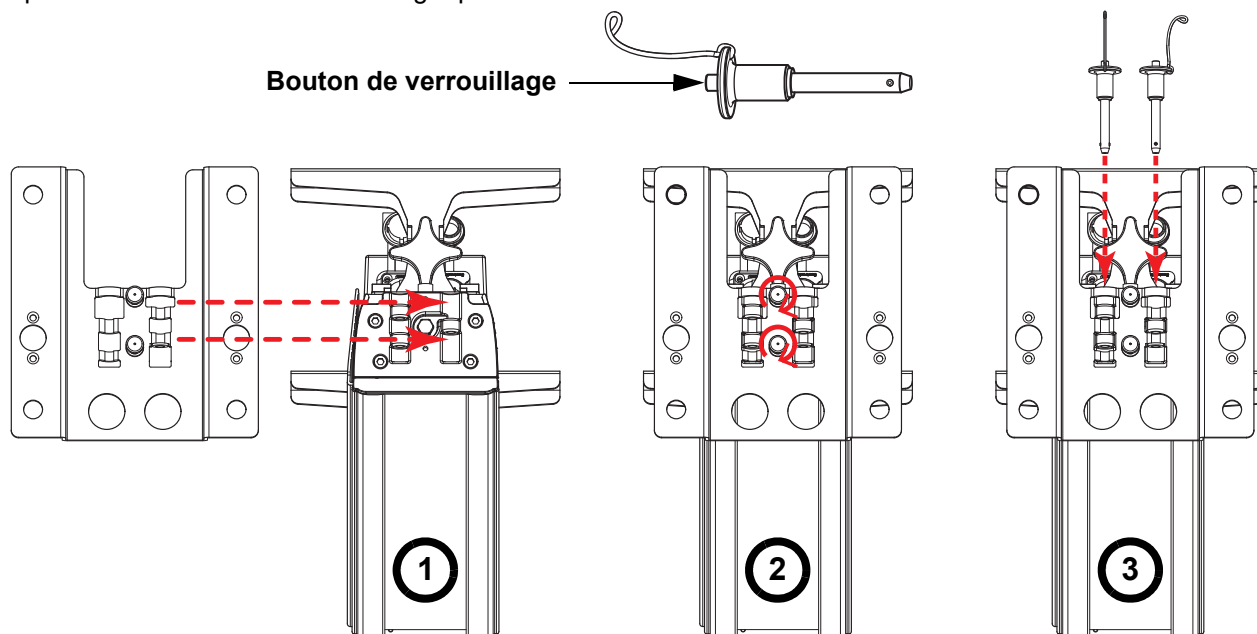
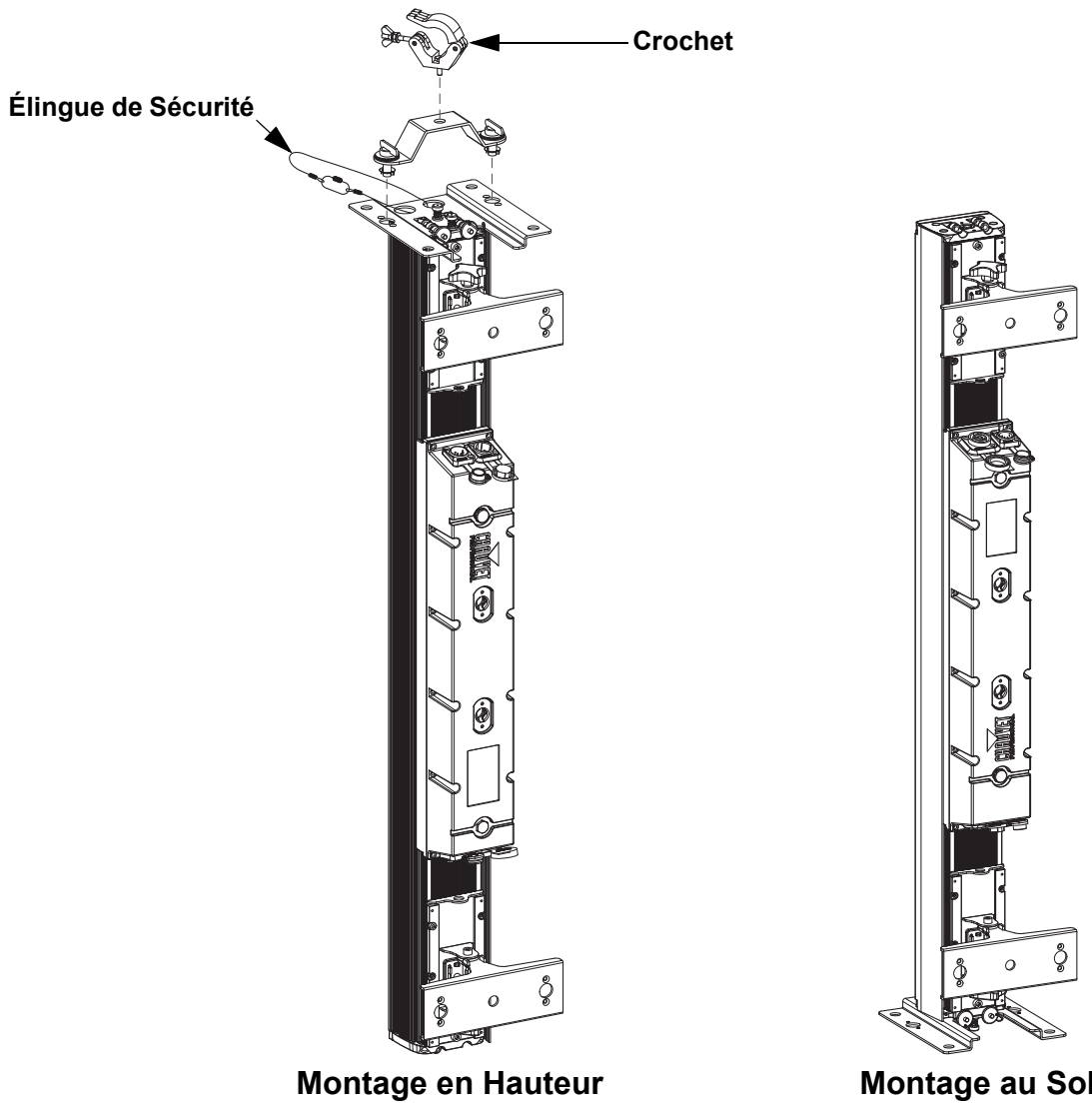


Schéma de Montage de l'Appareil (avec Base Plate)

Avant de monter cet appareil, lisez et assimilez les [Consignes de Sécurité](#). Soyez sûr que les crochets sont capables de supporter le poids du produit. Pour voir notre gamme de crochets, rendez-vous sur <http://trusst.com/productcategory/truss-clamps>.



Montage en Hauteur

Montage au Sol



Pour bien installer ce produit au sol, la plaque de soutien doit être boulonnée sur une surface stable, telle que le sol de la scène, ou une grande plaque de soutien.

Instructions de fixation en série

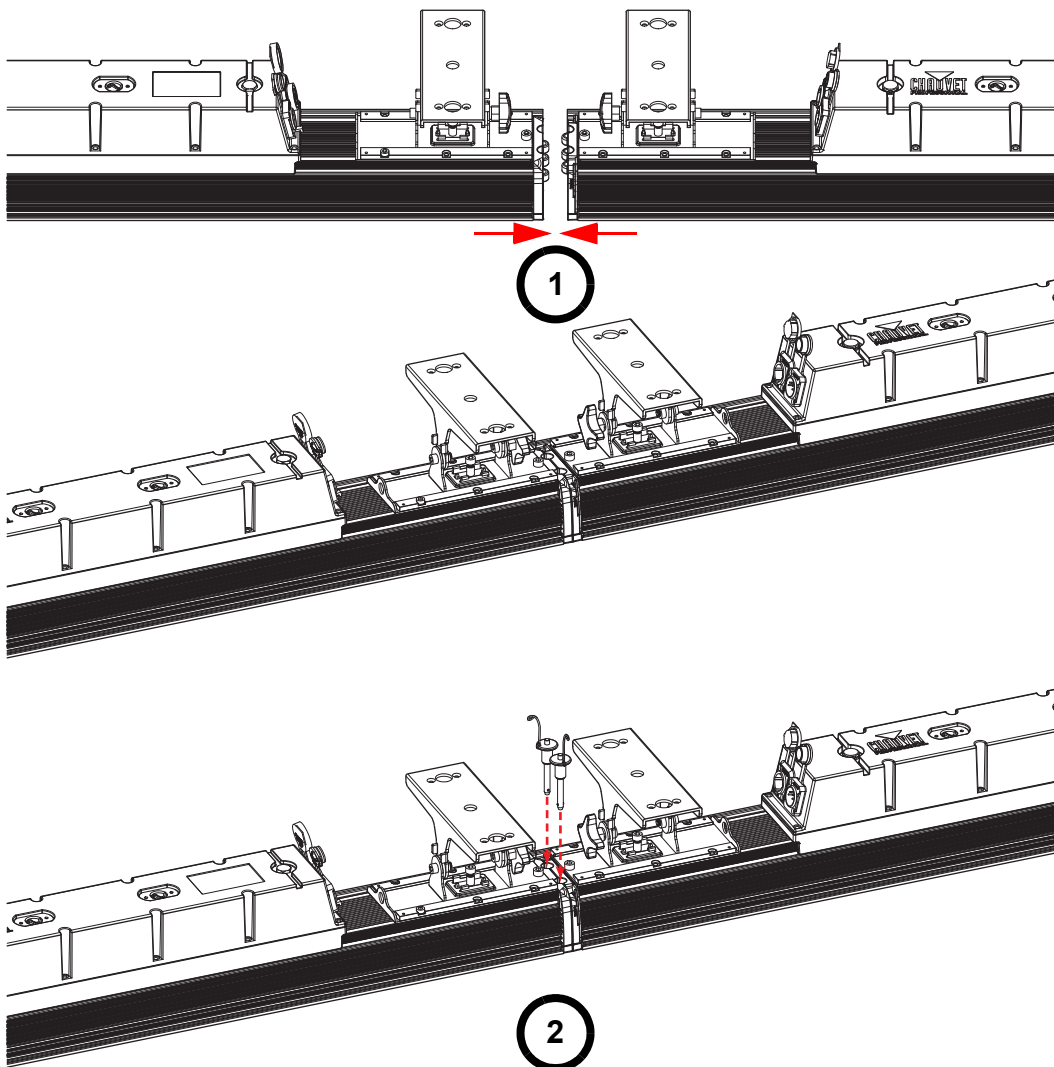
2 appareils COLORado Batten Q15 peuvent être attachés ensemble avec les goupilles de retenue incluses afin de les monter tous les deux sur un seul point de fixation. Ne connectez pas plus de 2 COLORado Batten Q15 à la suite en suspension verticale.



Les goupilles de retenue ont chacune un câble de sécurité pour plus de sûreté.

Pour connecter 2 appareils en série :

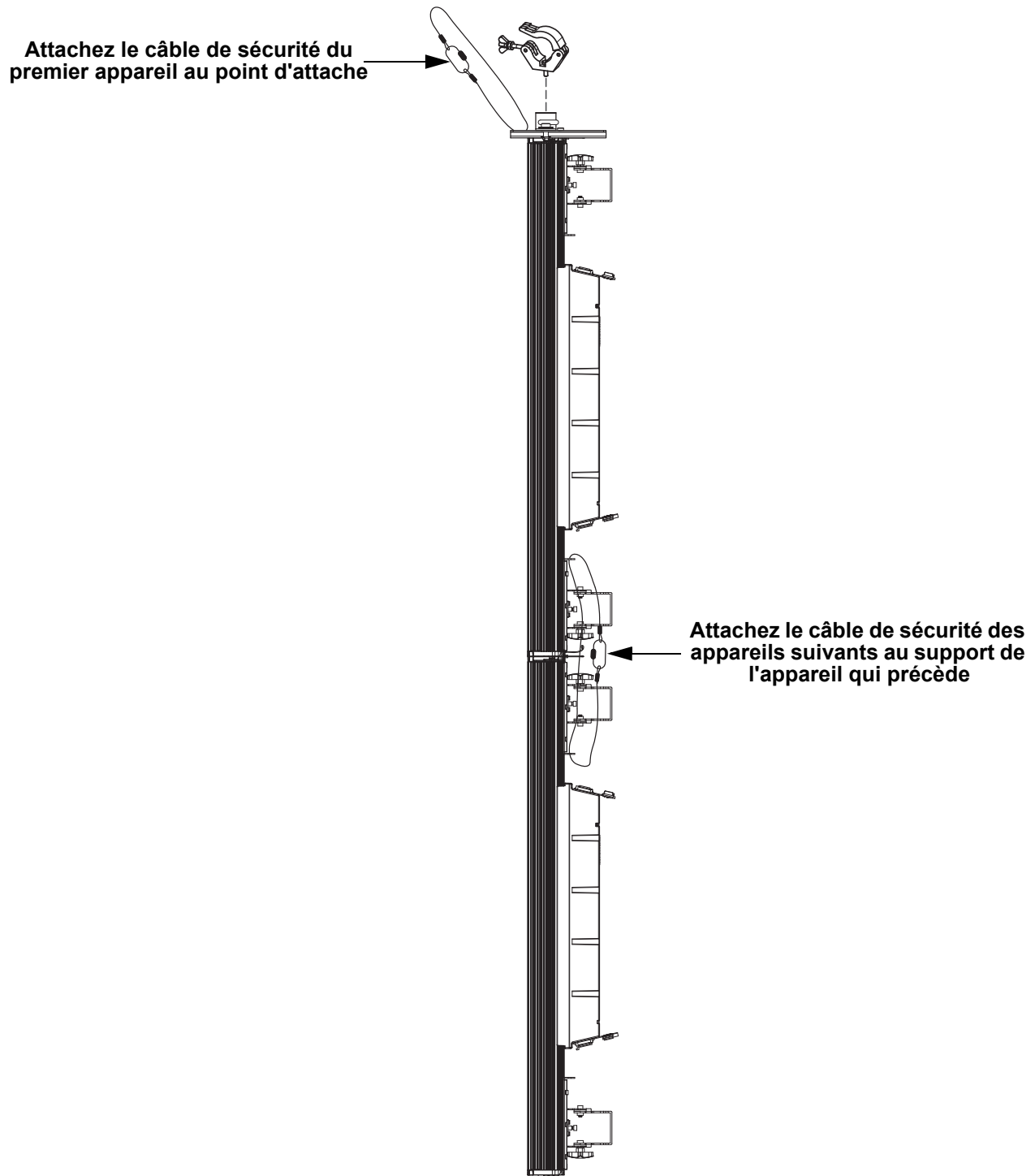
1. Alignez-les bout à bout afin que les boucles situées à chaque extrémité de l'appareil s'alignent les unes avec les autres.
2. Appuyez sur le bouton de verrouillage et maintenez-le enfoncé sur la première goupille de retenue, puis insérez-le dans l'un des ensembles de boucles sur chaque appareil. Relâchez le bouton de verrouillage, puis faites de même avec l'autre goupille.



Installez le câble de sécurité en dernier lorsque vous procédez à la fixation de plusieurs COLORado Batten Q15 en série.

Fixation des appareils attachés en série

1. Fixez la plaque de soutien au premier appareil de la série. (Voir [Fixation de la plaque de soutien](#))
2. Fixez un support oméga à la plaque de soutien et une pince au support oméga.
3. Fixez la pince à la structure ou surface souhaitée.
4. Attachez un câble de sécurité à l'anneau de sécurité de l'appareil.



N'attachez jamais plus de 2 appareils ensemble en suspension verticale à partir d'un même point d'attache.

Description du Tableau de Commandes

Bouton	Fonction
<MENU>	Permet la sortie du menu ou de la fonction en cours
<ENTER>	Permet l'affichage du menu en cours ou permet de configurer la valeur en cours dans la fonction sélectionnée
<UP>	Permet de parcourir les listes ou les menus vers le haut, dans une fonction permet d'augmenter les valeurs numériques
<DOWN>	Permet de parcourir les listes ou les menus vers le bas, dans une fonction permet de diminuer les valeurs numériques

Code d'accès

Une fois affiché, saisissez le code d'accès suivant comme suit: <UP>, <DOWN>, <UP>, <DOWN>, <ENTER>. Ce code ne peut pas être modifié et doit être saisi sur demande.

Gamme des Macros de Couleurs

Valeurs des Canaux DMX	Valeur Rouge	Valeur Vert	Valeur Bleu	Valeur Ambre	Valeur Blanc
000 ⇔ 010	Pas de fonction	Pas de fonction	Pas de fonction	Pas de fonction	Pas de fonction
011 ⇔ 034	100%	0–100%	0%	0%	0%
035 ⇔ 059	100–0%	100%	0%	0%	0%
060 ⇔ 084	0%	100%	0–100%	0%	0%
085 ⇔ 109	0%	100–0%	100%	0%	0%
110 ⇔ 134	0–100%	0%	100%	0%	0%
135 ⇔ 159	100%	0%	100–0%	0%	0%
160 ⇔ 184	100%	0–100%	0–100%	0%	0%
185 ⇔ 209	100–0%	100–0%	100%	0%	0%
210 ⇔ 255	100%	100%	100%	100%	100%

Gamme des températures de couleur

Valeurs des Canaux DMX	Température de Couleur
000 ⇔ 010	Pas de fonction
011 ⇔ 028	1800K
029 ⇔ 046	2200K
047 ⇔ 064	2700K
065 ⇔ 082	3000K
083 ⇔ 100	3200K
101 ⇔ 118	3500K
119 ⇔ 136	4000K
137 ⇔ 154	4200K
155 ⇔ 172	4500K
173 ⇔ 190	5600K
191 ⇔ 208	6000K
209 ⇔ 226	6500K
227 ⇔ 244	7200K
245 ⇔ 255	8000K



Les températures de couleur ci-dessus sont des rendus simulés de la sortie de couleur effectivement générée par comparaison avec une lampe tungstène à la température de couleur spécifiée. Chauvet ne donne aucune garantie sur la précision de la sortie de couleur.

Plan du Menu

 Reportez-vous à la page du produit COLORado Batten Q15 sur www.chauvetprofessional.com pour la dernière carte des menu.

Menu Principal	Niveaux de Programmation			Description	
Start Address	1–509*			Permet de sélectionner l'adresse de démarrage (*le canal le plus élevé est restreint à la personnalité choisie)	
	Personality	1 Simple		4 canaux: RGBW	
1 Basic		8 canaux: gradateur 16-bit, RGBW, macro de couleur, stroboscope			
1 Advanced		10 canaux: gradateur 16-bit, RGBW, macro de couleur, température de couleur, stroboscope, vitesse du gradateur			
1 HSIC		6 canaux: gradateur, 16-bit hue, saturation, stroboscope, vitesse du gradateur			
15 Pixel		45 canaux (15 cellules): RGB (par cellule)			
15 Simple		60 canaux (15 cellules): RGBW (par cellule)			
15 Basic		64 canaux (15 cellules): gradateur 16-bit, RGBW (par cellule), macro de couleur, stroboscope			
15 Advanced		66 canaux (15 cellules): gradateur 16-bit, RGBW (par cellule), macro de couleur, température de couleur, stroboscope, vitesse du gradateur			
15 HSIC		76 canaux (15 cellules): gradateur (par cellule), 16-bit hue (par cellule), saturation (par cellule), stroboscope (par cellule), vitesse du gradateur			
Output Setting	Power Mode			Évite de dépasser la température maximale en ajustant la intensité de sortie	
	Steady Mode			Utilise un intensité de sortie inférieur à un rythme constant pour éviter de dépasser la température maximale	
Static Colors	Preset Colors	Color 1–14	0–100%	Couleurs statiques prédéfinies	
	CCT Temper	White 1–14		Températures de couleur pré-réglées	
	RGBW	Red	0–255	Combine les couleurs rouge, vert, bleu et blanc pour un résultat personnalisé	
		Green			
Blue					
White					
Auto Programs	Run	AUTO.1–10		SPEED 0–100%	Sélectionne les programmes automatiques et vitesse auto
		Program 1–10			
	Edit	Program 1–10	Scene-01–30	Red 0–255	Sélectionne et édite un programme personnalisé
				Green 0–255	
				Blue 0–255	
White 0–255					
Master/Slave	Master			Mode DMX (maître)	
	Slave			Mode esclave	
Dimmer Mode	OFF			Assombrissement linéaire	
	DIM1–4			Courbes de gradation DIM1 (rapide) à DIM4 (lent)	

Menu Principal	Niveaux de Programmation		Description
LED Frequency	1200Hz		Permet de sélectionner la fréquence de sortie MLI
	2000Hz		
	2400Hz		
	4000Hz		
	6000Hz		
	25000Hz		
Cell Order	1 - 15(Left to Right)		Définit l'ordre des cellules
	15 - 1(Right to Left)		
Settings	**** (Enter Passcode)	DMX Error/ Loss	Hold Last En cas de perte de DMX, la dernière commande se maintiendra
		Disp TimeOut	Blackout
	On		Affichage rétro-éclairage toujours active
	10s		Désactive l'affichage rétro-éclairage après 10 secondes d'inactivité
	20s		Désactive l'affichage rétro-éclairage après 20 secondes d'inactivité
	30s		Désactive l'affichage rétro-éclairage après 30 secondes d'inactivité
	Disp Passcode	On Off	Verrouillage de l'affichage (le code d'accès est <UP>, <DOWN>, <UP>, <DOWN>, <ENTER>)
Information	Fixture Hours		___ Hours Affiche le nombre total des heures du produit
	Firmware Version		V_._ Affiche la version du logiciel installée
	RDM	UID	----- Affiche l'ID de l'appareil
		Label	Batten Q15 Affiche le nom du produit pour RDM
Factory Reset	No	**** (Enter Passcode)	Permet de réinitialiser aux valeurs par défaut d'usine
	Yes		

Valeurs DMX à 15 cellules
15 HSIC (76 canaux)

Canal	Fonction	Valeur	Pourcentage/Configuration
1	Gradateur 1	000 ⇄ 255	0–100%
2	Teinte 1	000 ⇄ 255	0–100%
3	Teinte fin 1	000 ⇄ 255	0–100%
4	Saturation 1	000 ⇄ 255	0–100%
5	Stroboscope 1	000 ⇄ 009	Pas de fonction
		010 ⇄ 099	Stroboscope, lent à rapide
		100 ⇄ 109	Pas de fonction
		110 ⇄ 179	Effet de foudre, lent à rapide
		180 ⇄ 189	Pas de fonction
		190 ⇄ 255	Stroboscope aléatoire, lent à rapide
6	Gradateur 2	000 ⇄ 255	0–100%
7	Teinte 2	000 ⇄ 255	0–100%
8	Teinte fin 2	000 ⇄ 255	0–100%
9	Saturation 2	000 ⇄ 255	0–100%
10	Stroboscope 2	000 ⇄ 009	Pas de fonction
		010 ⇄ 099	Stroboscope, lent à rapide
		100 ⇄ 109	Pas de fonction
		110 ⇄ 179	Effet de foudre, lent à rapide
		180 ⇄ 189	Pas de fonction
		190 ⇄ 255	Stroboscope aléatoire, lent à rapide
11	Gradateur 3	000 ⇄ 255	0–100%
12	Teinte 3	000 ⇄ 255	0–100%
13	Teinte fin 3	000 ⇄ 255	0–100%
14	Saturation 3	000 ⇄ 255	0–100%
15	Stroboscope 3	000 ⇄ 009	Pas de fonction
		010 ⇄ 099	Stroboscope, lent à rapide
		100 ⇄ 109	Pas de fonction
		110 ⇄ 179	Effet de foudre, lent à rapide
		180 ⇄ 189	Pas de fonction
		190 ⇄ 255	Stroboscope aléatoire, lent à rapide
16	Gradateur 4	000 ⇄ 255	0–100%
17	Teinte 4	000 ⇄ 255	0–100%
18	Teinte fin 4	000 ⇄ 255	0–100%
19	Saturation 4	000 ⇄ 255	0–100%
20	Stroboscope 4	000 ⇄ 009	Pas de fonction
		010 ⇄ 099	Stroboscope, lent à rapide
		100 ⇄ 109	Pas de fonction
		110 ⇄ 179	Effet de foudre, lent à rapide
		180 ⇄ 189	Pas de fonction
		190 ⇄ 255	Stroboscope aléatoire, lent à rapide
21	Gradateur 5	000 ⇄ 255	0–100%
22	Teinte 5	000 ⇄ 255	0–100%
23	Teinte fin 5	000 ⇄ 255	0–100%
24	Saturation 5	000 ⇄ 255	0–100%
25	Stroboscope 5	000 ⇄ 009	Pas de fonction
		010 ⇄ 099	Stroboscope, lent à rapide
		100 ⇄ 109	Pas de fonction
		110 ⇄ 179	Effet de foudre, lent à rapide
		180 ⇄ 189	Pas de fonction
		190 ⇄ 255	Stroboscope aléatoire, lent à rapide
26	Gradateur 6	000 ⇄ 255	0–100%
27	Teinte 6	000 ⇄ 255	0–100%
28	Teinte fin 6	000 ⇄ 255	0–100%

Canal	Fonction	Valeur	Pourcentage/Configuration
29	Saturation 6	000 ⇔ 255	0–100%
30	Stroboscope 7	000 ⇔ 009	Pas de fonction
		010 ⇔ 099	Stroboscope, lent à rapide
		100 ⇔ 109	Pas de fonction
		110 ⇔ 179	Effet de foudre, lent à rapide
		180 ⇔ 189	Pas de fonction
		190 ⇔ 255	Stroboscope aléatoire, lent à rapide
31	Gradateur 7	000 ⇔ 255	0–100%
32	Teinte 7	000 ⇔ 255	0–100%
33	Teinte fin 7	000 ⇔ 255	0–100%
34	Saturation 7	000 ⇔ 255	0–100%
35	Stroboscope 7	000 ⇔ 009	Pas de fonction
		010 ⇔ 099	Stroboscope, lent à rapide
		100 ⇔ 109	Pas de fonction
		110 ⇔ 179	Effet de foudre, lent à rapide
		180 ⇔ 189	Pas de fonction
		190 ⇔ 255	Stroboscope aléatoire, lent à rapide
36	Gradateur 8	000 ⇔ 255	0–100%
37	Teinte 8	000 ⇔ 255	0–100%
38	Teinte fin 8	000 ⇔ 255	0–100%
39	Saturation 8	000 ⇔ 255	0–100%
40	Stroboscope 8	000 ⇔ 009	Pas de fonction
		010 ⇔ 099	Stroboscope, lent à rapide
		100 ⇔ 109	Pas de fonction
		110 ⇔ 179	Effet de foudre, lent à rapide
		180 ⇔ 189	Pas de fonction
		190 ⇔ 255	Stroboscope aléatoire, lent à rapide
41	Gradateur 9	000 ⇔ 255	0–100%
42	Teinte 9	000 ⇔ 255	0–100%
43	Teinte fin 9	000 ⇔ 255	0–100%
44	Saturation 9	000 ⇔ 255	0–100%
45	Stroboscope 9	000 ⇔ 009	Pas de fonction
		010 ⇔ 099	Stroboscope, lent à rapide
		100 ⇔ 109	Pas de fonction
		110 ⇔ 179	Effet de foudre, lent à rapide
		180 ⇔ 189	Pas de fonction
		190 ⇔ 255	Stroboscope aléatoire, lent à rapide
46	Gradateur 10	000 ⇔ 255	0–100%
47	Teinte 10	000 ⇔ 255	0–100%
48	Teinte fin 10	000 ⇔ 255	0–100%
49	Saturation 10	000 ⇔ 255	0–100%
50	Stroboscope 10	000 ⇔ 009	Pas de fonction
		010 ⇔ 099	Stroboscope, lent à rapide
		100 ⇔ 109	Pas de fonction
		110 ⇔ 179	Effet de foudre, lent à rapide
		180 ⇔ 189	Pas de fonction
		190 ⇔ 255	Stroboscope aléatoire, lent à rapide
51	Gradateur 11	000 ⇔ 255	0–100%
52	Teinte 11	000 ⇔ 255	0–100%
53	Teinte fin 11	000 ⇔ 255	0–100%
54	Saturation 11	000 ⇔ 255	0–100%

Canal	Fonction	Valeur	Pourcentage/Configuration
55	Stroboscope 11	000 ⇔ 009	Pas de fonction
		010 ⇔ 099	Stroboscope, lent à rapide
		100 ⇔ 109	Pas de fonction
		110 ⇔ 179	Effet de foudre, lent à rapide
		180 ⇔ 189	Pas de fonction
		190 ⇔ 255	Stroboscope aléatoire, lent à rapide
56	Gradateur 12	000 ⇔ 255	0–100%
57	Teinte 12	000 ⇔ 255	0–100%
58	Teinte fin 12	000 ⇔ 255	0–100%
59	Saturation 12	000 ⇔ 255	0–100%
60	Stroboscope 12	000 ⇔ 009	Pas de fonction
		010 ⇔ 099	Stroboscope, lent à rapide
		100 ⇔ 109	Pas de fonction
		110 ⇔ 179	Effet de foudre, lent à rapide
		180 ⇔ 189	Pas de fonction
		190 ⇔ 255	Stroboscope aléatoire, lent à rapide
61	Gradateur 13	000 ⇔ 255	0–100%
62	Teinte 13	000 ⇔ 255	0–100%
63	Teinte fin 13	000 ⇔ 255	0–100%
64	Saturation 13	000 ⇔ 255	0–100%
65	Stroboscope 13	000 ⇔ 009	Pas de fonction
		010 ⇔ 099	Stroboscope, lent à rapide
		100 ⇔ 109	Pas de fonction
		110 ⇔ 179	Effet de foudre, lent à rapide
		180 ⇔ 189	Pas de fonction
		190 ⇔ 255	Stroboscope aléatoire, lent à rapide
66	Gradateur 14	000 ⇔ 255	0–100%
67	Teinte 14	000 ⇔ 255	0–100%
68	Teinte fin 14	000 ⇔ 255	0–100%
69	Saturation 14	000 ⇔ 255	0–100%
70	Stroboscope 14	000 ⇔ 009	Pas de fonction
		010 ⇔ 099	Stroboscope, lent à rapide
		100 ⇔ 109	Pas de fonction
		110 ⇔ 179	Effet de foudre, lent à rapide
		180 ⇔ 189	Pas de fonction
		190 ⇔ 255	Stroboscope aléatoire, lent à rapide
71	Gradateur 15	000 ⇔ 255	0–100%
72	Teinte 15	000 ⇔ 255	0–100%
73	Teinte fin 15	000 ⇔ 255	0–100%
74	Saturation 15	000 ⇔ 255	0–100%
75	Stroboscope 15	000 ⇔ 009	Pas de fonction
		010 ⇔ 099	Stroboscope, lent à rapide
		100 ⇔ 109	Pas de fonction
		110 ⇔ 179	Effet de foudre, lent à rapide
		180 ⇔ 189	Pas de fonction
		190 ⇔ 255	Stroboscope aléatoire, lent à rapide
76	Vitesse du gradateur	000 ⇔ 009	Préréglage de vitesse d'assombrissement à partir du menu affichage
		010 ⇔ 029	Arrêt du mode de vitesse d'assombrissement
		030 ⇔ 069	Mode 1 de vitesse d'assombrissement (rapide)
		070 ⇔ 129	Mode 2 de vitesse d'assombrissement
		130 ⇔ 189	Mode 3 de vitesse d'assombrissement
		190 ⇔ 255	Mode 4 de vitesse d'assombrissement (lente)

15 «Advanced» (66 canaux)

Canal	Fonction	Valeur	Pourcentage/Configuration
1	Gradateur	000 ⇔ 255	0–100%
2	Gradateur fin	000 ⇔ 255	0–100%
3	Rouge 1	000 ⇔ 255	0–100%
4	Vert 1	000 ⇔ 255	0–100%
5	Bleu 1	000 ⇔ 255	0–100%
6	Blanc 1	000 ⇔ 255	0–100%
7	Rouge 2	000 ⇔ 255	0–100%
8	Vert 2	000 ⇔ 255	0–100%
9	Bleu 2	000 ⇔ 255	0–100%
10	Blanc 2	000 ⇔ 255	0–100%
11	Rouge 3	000 ⇔ 255	0–100%
12	Vert 3	000 ⇔ 255	0–100%
13	Bleu 3	000 ⇔ 255	0–100%
14	Blanc 3	000 ⇔ 255	0–100%
15	Rouge 4	000 ⇔ 255	0–100%
16	Vert 4	000 ⇔ 255	0–100%
17	Bleu 4	000 ⇔ 255	0–100%
18	Blanc 4	000 ⇔ 255	0–100%
19	Rouge 5	000 ⇔ 255	0–100%
20	Vert 5	000 ⇔ 255	0–100%
21	Bleu 5	000 ⇔ 255	0–100%
22	Blanc 5	000 ⇔ 255	0–100%
23	Rouge 6	000 ⇔ 255	0–100%
24	Vert 6	000 ⇔ 255	0–100%
25	Bleu 6	000 ⇔ 255	0–100%
26	Blanc 6	000 ⇔ 255	0–100%
27	Rouge 7	000 ⇔ 255	0–100%
28	Vert 7	000 ⇔ 255	0–100%
29	Bleu 7	000 ⇔ 255	0–100%
30	Blanc 7	000 ⇔ 255	0–100%
31	Rouge 8	000 ⇔ 255	0–100%
32	Vert 8	000 ⇔ 255	0–100%
33	Bleu 8	000 ⇔ 255	0–100%
34	Blanc 8	000 ⇔ 255	0–100%
35	Rouge 9	000 ⇔ 255	0–100%
36	Vert 9	000 ⇔ 255	0–100%
37	Bleu 9	000 ⇔ 255	0–100%
38	Blanc 9	000 ⇔ 255	0–100%
39	Rouge 10	000 ⇔ 255	0–100%
40	Vert 10	000 ⇔ 255	0–100%
41	Bleu 10	000 ⇔ 255	0–100%
42	Blanc 10	000 ⇔ 255	0–100%
43	Rouge 11	000 ⇔ 255	0–100%
44	Vert 11	000 ⇔ 255	0–100%
45	Bleu 11	000 ⇔ 255	0–100%
46	Blanc 11	000 ⇔ 255	0–100%
47	Rouge 12	000 ⇔ 255	0–100%
48	Vert 12	000 ⇔ 255	0–100%
49	Bleu 12	000 ⇔ 255	0–100%
50	Blanc 12	000 ⇔ 255	0–100%
51	Rouge 13	000 ⇔ 255	0–100%
52	Vert 13	000 ⇔ 255	0–100%
53	Bleu 13	000 ⇔ 255	0–100%
54	Blanc 13	000 ⇔ 255	0–100%

Canal	Fonction	Valeur	Pourcentage/Configuration
55	Rouge 14	000 ⇔ 255	0–100%
56	Vert 14	000 ⇔ 255	0–100%
57	Bleu 14	000 ⇔ 255	0–100%
58	Blanc 14	000 ⇔ 255	0–100%
59	Rouge 15	000 ⇔ 255	0–100%
60	Vert 15	000 ⇔ 255	0–100%
61	Bleu 15	000 ⇔ 255	0–100%
62	Blanc 15	000 ⇔ 255	0–100%
63	Macros de couleur	000 ⇔ 255	Consultez la section Gamme des Macros de Couleurs
64	Températures de couleur	000 ⇔ 255	Consultez la section Gamme des températures de couleur
65	Stroboscope	000 ⇔ 009	Pas de fonction
		010 ⇔ 099	Stroboscope, lent à rapide
		100 ⇔ 109	Pas de fonction
		110 ⇔ 179	Effet de foudre, lent à rapide
		180 ⇔ 189	Pas de fonction
		190 ⇔ 255	Stroboscope aléatoire, lent à rapide
66	Vitesse du gradateur	000 ⇔ 009	Préréglage de vitesse d'assombrissement à partir du menu affichage
		010 ⇔ 029	Arrêt du mode de vitesse d'assombrissement
		030 ⇔ 069	Mode 1 de vitesse d'assombrissement (rapide)
		070 ⇔ 129	Mode 2 de vitesse d'assombrissement
		130 ⇔ 189	Mode 3 de vitesse d'assombrissement
		190 ⇔ 255	Mode 4 de vitesse d'assombrissement (lente)

15 «Basic» (64 canaux)

Canal	Fonction	Valeur	Pourcentage/Configuration
1	Gradateur	000 ⇔ 255	0–100%
2	Gradateur fin	000 ⇔ 255	0–100%
3	Rouge 1	000 ⇔ 255	0–100%
4	Vert 1	000 ⇔ 255	0–100%
5	Bleu 1	000 ⇔ 255	0–100%
6	Blanc 1	000 ⇔ 255	0–100%
7	Rouge 2	000 ⇔ 255	0–100%
8	Vert 2	000 ⇔ 255	0–100%
9	Bleu 2	000 ⇔ 255	0–100%
10	Blanc 2	000 ⇔ 255	0–100%
11	Rouge 3	000 ⇔ 255	0–100%
12	Vert 3	000 ⇔ 255	0–100%
13	Bleu 3	000 ⇔ 255	0–100%
14	Blanc 3	000 ⇔ 255	0–100%
15	Rouge 4	000 ⇔ 255	0–100%
16	Vert 4	000 ⇔ 255	0–100%
17	Bleu 4	000 ⇔ 255	0–100%
18	Blanc 4	000 ⇔ 255	0–100%
19	Rouge 5	000 ⇔ 255	0–100%
20	Vert 5	000 ⇔ 255	0–100%
21	Bleu 5	000 ⇔ 255	0–100%
22	Blanc 5	000 ⇔ 255	0–100%
23	Rouge 6	000 ⇔ 255	0–100%
24	Vert 6	000 ⇔ 255	0–100%
25	Bleu 6	000 ⇔ 255	0–100%
26	Blanc 6	000 ⇔ 255	0–100%
27	Rouge 7	000 ⇔ 255	0–100%
28	Vert 7	000 ⇔ 255	0–100%
29	Bleu 7	000 ⇔ 255	0–100%

Canal	Fonction	Valeur	Pourcentage/Configuration
30	Blanc 7	000 ⇔ 255	0–100%
31	Rouge 8	000 ⇔ 255	0–100%
32	Vert 8	000 ⇔ 255	0–100%
33	Bleu 8	000 ⇔ 255	0–100%
34	Blanc 8	000 ⇔ 255	0–100%
35	Rouge 9	000 ⇔ 255	0–100%
36	Vert 9	000 ⇔ 255	0–100%
37	Bleu 9	000 ⇔ 255	0–100%
38	Blanc 9	000 ⇔ 255	0–100%
39	Rouge 10	000 ⇔ 255	0–100%
40	Vert 10	000 ⇔ 255	0–100%
41	Bleu 10	000 ⇔ 255	0–100%
42	Blanc 10	000 ⇔ 255	0–100%
43	Rouge 11	000 ⇔ 255	0–100%
44	Vert 11	000 ⇔ 255	0–100%
45	Bleu 11	000 ⇔ 255	0–100%
46	Blanc 11	000 ⇔ 255	0–100%
47	Rouge 12	000 ⇔ 255	0–100%
48	Vert 12	000 ⇔ 255	0–100%
49	Bleu 12	000 ⇔ 255	0–100%
50	Blanc 12	000 ⇔ 255	0–100%
51	Rouge 13	000 ⇔ 255	0–100%
52	Vert 13	000 ⇔ 255	0–100%
53	Bleu 13	000 ⇔ 255	0–100%
54	Blanc 13	000 ⇔ 255	0–100%
55	Rouge 14	000 ⇔ 255	0–100%
56	Vert 14	000 ⇔ 255	0–100%
57	Bleu 14	000 ⇔ 255	0–100%
58	Blanc 14	000 ⇔ 255	0–100%
59	Rouge 15	000 ⇔ 255	0–100%
60	Vert 15	000 ⇔ 255	0–100%
61	Bleu 15	000 ⇔ 255	0–100%
62	Blanc 15	000 ⇔ 255	0–100%
63	Macros de couleur	000 ⇔ 255	Consultez la section Gamme des Macros de Couleurs
64	Stroboscope	000 ⇔ 009 010 ⇔ 099 100 ⇔ 109 110 ⇔ 179 180 ⇔ 189 190 ⇔ 255	Pas de fonction Stroboscope, lent à rapide Pas de fonction Effet de foudre, lent à rapide Pas de fonction Stroboscope aléatoire, lent à rapide

15 «Simple» (60 canaux)

Canal	Fonction	Valeur	Pourcentage/Configuration
1	Rouge 1	000 ⇔ 255	0–100%
2	Vert 1	000 ⇔ 255	0–100%
3	Bleu 1	000 ⇔ 255	0–100%
4	Blanc 1	000 ⇔ 255	0–100%
5	Rouge 2	000 ⇔ 255	0–100%
6	Vert 2	000 ⇔ 255	0–100%
7	Bleu 2	000 ⇔ 255	0–100%
8	Blanc 2	000 ⇔ 255	0–100%
9	Rouge 3	000 ⇔ 255	0–100%
10	Vert 3	000 ⇔ 255	0–100%
11	Bleu 3	000 ⇔ 255	0–100%
12	Blanc 3	000 ⇔ 255	0–100%

Canal	Fonction	Valeur	Pourcentage/Configuration
13	Rouge 4	000 ⇔ 255	0–100%
14	Vert 4	000 ⇔ 255	0–100%
15	Bleu 4	000 ⇔ 255	0–100%
16	Blanc 4	000 ⇔ 255	0–100%
17	Rouge 5	000 ⇔ 255	0–100%
18	Vert 5	000 ⇔ 255	0–100%
19	Bleu 5	000 ⇔ 255	0–100%
20	Blanc 5	000 ⇔ 255	0–100%
21	Rouge 6	000 ⇔ 255	0–100%
22	Vert 6	000 ⇔ 255	0–100%
23	Bleu 6	000 ⇔ 255	0–100%
24	Blanc 6	000 ⇔ 255	0–100%
25	Rouge 7	000 ⇔ 255	0–100%
26	Vert 7	000 ⇔ 255	0–100%
27	Bleu 7	000 ⇔ 255	0–100%
28	Blanc 7	000 ⇔ 255	0–100%
29	Rouge 8	000 ⇔ 255	0–100%
30	Vert 8	000 ⇔ 255	0–100%
31	Bleu 8	000 ⇔ 255	0–100%
32	Blanc 8	000 ⇔ 255	0–100%
33	Rouge 9	000 ⇔ 255	0–100%
34	Vert 9	000 ⇔ 255	0–100%
35	Bleu 9	000 ⇔ 255	0–100%
36	Blanc 9	000 ⇔ 255	0–100%
37	Rouge 10	000 ⇔ 255	0–100%
38	Vert 10	000 ⇔ 255	0–100%
39	Bleu 10	000 ⇔ 255	0–100%
40	Blanc 10	000 ⇔ 255	0–100%
41	Rouge 11	000 ⇔ 255	0–100%
42	Vert 11	000 ⇔ 255	0–100%
43	Bleu 11	000 ⇔ 255	0–100%
44	Blanc 11	000 ⇔ 255	0–100%
45	Rouge 12	000 ⇔ 255	0–100%
46	Vert 12	000 ⇔ 255	0–100%
47	Bleu 12	000 ⇔ 255	0–100%
48	Blanc 12	000 ⇔ 255	0–100%
49	Rouge 13	000 ⇔ 255	0–100%
50	Vert 13	000 ⇔ 255	0–100%
51	Bleu 13	000 ⇔ 255	0–100%
52	Blanc 13	000 ⇔ 255	0–100%
53	Rouge 14	000 ⇔ 255	0–100%
54	Vert 14	000 ⇔ 255	0–100%
55	Bleu 14	000 ⇔ 255	0–100%
56	Blanc 14	000 ⇔ 255	0–100%
57	Rouge 15	000 ⇔ 255	0–100%
58	Vert 15	000 ⇔ 255	0–100%
59	Bleu 15	000 ⇔ 255	0–100%
60	Blanc 15	000 ⇔ 255	0–100%

FR

15 Pixel (45 canaux)

Canal	Fonction	Valeur	Pourcentage/Configuration
1	Rouge	000 ⇔ 255	0–100%
2	Vert	000 ⇔ 255	0–100%
3	Bleu 1	000 ⇔ 255	0–100%
4	Rouge 2	000 ⇔ 255	0–100%
5	Vert 2	000 ⇔ 255	0–100%
6	Bleu 2	000 ⇔ 255	0–100%
7	Rouge 3	000 ⇔ 255	0–100%
8	Vert 3	000 ⇔ 255	0–100%
9	Bleu 3	000 ⇔ 255	0–100%
10	Rouge 4	000 ⇔ 255	0–100%
11	Vert 4	000 ⇔ 255	0–100%
12	Bleu 4	000 ⇔ 255	0–100%
13	Rouge 5	000 ⇔ 255	0–100%
14	Vert 5	000 ⇔ 255	0–100%
15	Bleu 5	000 ⇔ 255	0–100%
16	Rouge 6	000 ⇔ 255	0–100%
17	Vert 6	000 ⇔ 255	0–100%
18	Bleu 6	000 ⇔ 255	0–100%
19	Rouge 7	000 ⇔ 255	0–100%
20	Vert 7	000 ⇔ 255	0–100%
21	Bleu 7	000 ⇔ 255	0–100%
22	Rouge 8	000 ⇔ 255	0–100%
23	Vert 8	000 ⇔ 255	0–100%
24	Bleu 8	000 ⇔ 255	0–100%
25	Rouge 9	000 ⇔ 255	0–100%
26	Vert 9	000 ⇔ 255	0–100%
27	Bleu 9	000 ⇔ 255	0–100%
28	Rouge 10	000 ⇔ 255	0–100%
29	Vert 10	000 ⇔ 255	0–100%
30	Bleu 10	000 ⇔ 255	0–100%
31	Rouge 11	000 ⇔ 255	0–100%
32	Vert 11	000 ⇔ 255	0–100%
33	Bleu 11	000 ⇔ 255	0–100%
34	Rouge 12	000 ⇔ 255	0–100%
35	Vert 12	000 ⇔ 255	0–100%
36	Bleu 12	000 ⇔ 255	0–100%
37	Rouge 13	000 ⇔ 255	0–100%
38	Vert 13	000 ⇔ 255	0–100%
39	Bleu 13	000 ⇔ 255	0–100%
40	Rouge 14	000 ⇔ 255	0–100%
41	Vert 14	000 ⇔ 255	0–100%
42	Bleu 14	000 ⇔ 255	0–100%
43	Rouge 15	000 ⇔ 255	0–100%
44	Vert 15	000 ⇔ 255	0–100%
45	Bleu 15	000 ⇔ 255	0–100%

DMX Valeurs à 1 cellule
1 HSIC (6 canaux)

Canal	Fonction	Valeur	Pourcentage/Configuration
1	Gradateur	000 ⇄ 255	0–100%
2	Teinte	000 ⇄ 255	0–100%
3	Teinte fin	000 ⇄ 255	0–100%
4	Saturation	000 ⇄ 255	0–100%
5	Stroboscope	000 ⇄ 009	Pas de fonction
		010 ⇄ 099	Stroboscope, lent à rapide
		100 ⇄ 109	Pas de fonction
		110 ⇄ 179	Effet de foudre, lent à rapide
		180 ⇄ 189	Pas de fonction
		190 ⇄ 255	Stroboscope aléatoire, lent à rapide
6	Vitesse du gradateur	000 ⇄ 009	Préréglage de vitesse d'assombrissement à partir du menu affichage
		010 ⇄ 029	Arrêt du mode de vitesse d'assombrissement
		030 ⇄ 069	Mode 1 de vitesse d'assombrissement (rapide)
		070 ⇄ 129	Mode 2 de vitesse d'assombrissement
		130 ⇄ 189	Mode 3 de vitesse d'assombrissement
		190 ⇄ 255	Mode 4 de vitesse d'assombrissement (lente)

1 «Advanced» (10 canaux)

Canal	Fonction	Valeur	Pourcentage/Configuration
1	Gradateur	000 ⇄ 255	0–100%
2	Gradateur fin	000 ⇄ 255	0–100%
3	Rouge	000 ⇄ 255	0–100%
4	Vert	000 ⇄ 255	0–100%
5	Bleu	000 ⇄ 255	0–100%
6	Blanc	000 ⇄ 255	0–100%
7	Macros de couleur	000 ⇄ 255	Consultez la section Gamme des Macros de Couleurs
8	Températures de couleur	000 ⇄ 255	Consultez la section Gamme des températures de couleur
9	Stroboscope	000 ⇄ 009	Pas de fonction
		010 ⇄ 099	Stroboscope, lent à rapide
		100 ⇄ 109	Pas de fonction
		110 ⇄ 179	Effet de foudre, lent à rapide
		180 ⇄ 189	Pas de fonction
		190 ⇄ 255	Stroboscope aléatoire, lent à rapide
10	Vitesse du gradateur	000 ⇄ 009	Préréglage de vitesse d'assombrissement à partir du menu affichage
		010 ⇄ 029	Arrêt du mode de vitesse d'assombrissement
		030 ⇄ 069	Mode 1 de vitesse d'assombrissement (rapide)
		070 ⇄ 129	Mode 2 de vitesse d'assombrissement
		130 ⇄ 189	Mode 3 de vitesse d'assombrissement
		190 ⇄ 255	Mode 4 de vitesse d'assombrissement (lente)

FR

1 «Basic» (8 canaux)

Canal	Fonction	Valeur	Pourcentage/Configuration
1	Gradateur	000 ⇔ 255	0–100%
2	Gradateur fin	000 ⇔ 255	0–100%
3	Rouge	000 ⇔ 255	0–100%
4	Vert	000 ⇔ 255	0–100%
5	Bleu	000 ⇔ 255	0–100%
6	Blanc	000 ⇔ 255	0–100%
7	Macros de couleur	000 ⇔ 255	Consultez la section Gamme des Macros de Couleurs
8	Stroboscope	000 ⇔ 009	Pas de fonction
		010 ⇔ 099	Stroboscope, lent à rapide
		100 ⇔ 109	Pas de fonction
		110 ⇔ 179	Effet de foudre, lent à rapide
		180 ⇔ 189	Pas de fonction
		190 ⇔ 255	Stroboscope aléatoire, lent à rapide

1 «Simple» (4 canaux)

Canal	Fonction	Valeur	Pourcentage/Configuration
1	Rouge	000 ⇔ 255	0–100%
2	Vert	000 ⇔ 255	0–100%
3	Bleu	000 ⇔ 255	0–100%
4	Blanc	000 ⇔ 255	0–100%

Über diese Schnellanleitung

In der Schnellanleitung des COLORado Batten Q15 finden Sie die wesentlichen Produktinformationen, wie etwa über die Montage, Menüoptionen und DMX-Werte des Geräts. Laden Sie für weiterführende Informationen unter www.chauvetprofessional.com das Benutzerhandbuch herunter.

Haftungsausschluss

Die in dieser Anleitung aufgeführten Informationen und Spezifikationen können ohne vorherige Ankündigung geändert werden.

EINGESCHRÄNKTE GARANTIE

ZUR REGISTRIERUNG FÜR GARANTIEANSPRÜCHE UND ZUR EINSICHT IN DIE VOLLSTÄNDIGEN GESCHÄFTSBEDINGUNGEN BESUCHEN SIE BITTE UNSERE WEBSITE.

Für Kunden in den USA und in Mexiko: www.chauvetlighting.com/warranty-registration.

Für Kunden im Vereinigten Königreich, in Irland, Belgien, den Niederlanden, Luxemburg, Frankreich und Deutschland: www.chauvetlighting.eu/warranty-registration.

Chauvet garantiert für die in der auf unserer Website veröffentlichten vollständigen eingeschränkten Garantie genannten Dauer und unter Vorbehalt der darin genannten Haftungsausschlüsse und -beschränkungen, dass dieses Produkt bei normalen Gebrauch frei von Material- und Verarbeitungsfehlern ist. Diese Garantie erstreckt sich nur auf den Erstkäufer des Produkts und ist nicht übertragbar. Zur Ausübung der unter dieser Garantie gewährten Rechte ist der Kaufbeleg in Form der Originalrechnung von einem autorisierten Händler vorzulegen, in der die Produktbezeichnung und das Kaufdatum vermerkt sein müssen. **ES BESTEHEN KEINE WEITEREN AUSDRÜCKLICHEN ODER STILLSCHWEIGENDEN GARANTIEN.** Diese Garantie gibt Ihnen besondere gesetzliche Rechte. Und Sie haben möglicherweise weitere Rechte, die von Land zu Land unterschiedlich sein können. Diese Garantie ist nur in den USA, im Vereinigten Königreich, in Irland, Belgien, den Niederlanden, Luxemburg, Frankreich, Deutschland und Mexiko gültig. Bezüglich der Garantiebestimmungen in anderen Ländern wenden Sie sich bitte an Ihren lokalen Händler.

Sicherheitshinweise

- Dieses Gerät NICHT öffnen. Die eingebauten Komponenten sind für den Kunden wartungsfrei.
- Um unnötigen Verschleiß zu vermeiden und die Lebensdauer des Geräts zu verlängern, trennen Sie während längerer Perioden des Nichtgebrauchs das Gerät vom Stromnetz – entweder per Trennschalter oder durch Herausziehen des Steckers aus der Steckdose.
- NIEMALS in die Lichtquelle schauen, während das Gerät eingeschaltet ist.
- VORSICHT: Das Gehäuse dieses Produkts kann während des Betriebs heiß werden. Installieren Sie das Gerät an einem Ort mit ausreichender Belüftung und mit einem Abstand von mindestens 50 cm zu den angrenzenden Flächen.
- Belassen Sie KEINE entflammaren Materialien in einem Umkreis von 50 cm dieses Geräts, während es in Betrieb oder an der Stromversorgung angeschlossen ist.
- VORSICHT: Beim Transport des Geräts von einer Umgebung mit außergewöhnlichen Temperaturen in eine andere solche Umgebung (z. B. aus einem kalten Transporter in einen warm-feuchten Ballsaal) kann an der im Gerät enthaltenen Elektronik Wasser kondensieren. Um einen Defekt zu vermeiden, muss sich das Gerät erst in der neuen Umgebung akklimatisiert haben, bevor es an die Stromversorgung angeschlossen werden kann.
- Dieses Geräts eignet sich nicht für eine permanente Installation im Außenbereich an Orten mit extremen Umweltbedingungen. Dies beinhaltet insbesondere:
 - Exposition gegenüber Meeres-/salzhaltigen Umgebungen (innerhalb von 5 km eines salzhaltigen Gewässers).
 - Orte, an denen die normalen Niedrigst- oder Höchsttemperaturen außerhalb des im Handbuch angegebenen Temperaturbereichs liegen.
 - Orte, die überflutet oder zugeschnitten werden können.
 - Sonstige Bereiche, in denen das Produkt einer großen Strahlung oder ätzenden Substanzen ausgesetzt ist.
- VERWENDEN Sie bei Montage über Kopf immer ein Sicherheitsseil.
- Dieses Gerät darf NICHT in Wasser eingetaucht werden (IP65). Eine regelmäßige Verwendung dieses Geräts im Freien ist möglich.
- NIEMALS das Gerät in Betrieb nehmen, wenn Ihnen das Gehäuse, die Linsen oder das Kabel beschädigt erscheinen.
- Schließen Sie dieses Gerät NICHT an einen Dimmer oder Regelwiderstand an.
- Schließen Sie dieses Produkt NUR an einen mit der Erde verbundenen und geschützten Stromkreis an.
- Das Gerät NUR an den Hänge-/Befestigungsbügel oder Griffen tragen.
- Bei ernsthaften Betriebsproblemen stoppen Sie umgehend die Verwendung des Geräts.
- Die maximal zulässige Umgebungstemperatur beträgt 45 °C. Nehmen Sie das Gerät nicht bei höheren Temperaturen in Betrieb.
- Die zulässige Mindesttemperatur für den Start beträgt -20 °C. Starten Sie das Gerät nicht bei niedrigeren Temperaturen.
- Die minimal zulässige Umgebungstemperatur beträgt -30 °C. Nehmen Sie das Gerät nicht bei niedrigeren Temperaturen in Betrieb.

FCC-Konformität

Dieses Gerät erfüllt Teil 15, Teil B, der FCC-Bestimmungen. Der Betrieb ist an folgende zwei Bedingungen geknüpft:

1. Dieses Gerät darf keine schädlichen Interferenzen verursachen, und
2. Dieses Gerät muss empfangende Interferenzen aufnehmen können, auch Interferenzen, die eventuell einen unerwünschten Betrieb verursachen.

Jegliche Änderungen oder Modifikationen, die nicht ausdrücklich von der Partei genehmigt wurden, die für die Compliance zuständig ist, könnten die Berechtigung des Benutzers zum Betrieb dieses Geräts aufheben.

Kontakt

Kunden außerhalb der USA, GB, Irland, Benelux, Frankreich, Deutschland oder Mexiko wenden sich an ihren Lieferanten, um den Kundensupport in Anspruch zu nehmen oder ein Produkt zurückzuschicken. Kontaktinformationen finden Sie im [Contact Us](#) am Ende dieses QRG.

Packungsinhalt

- COLORado Batten Q15
- Seetronic Powerkon IP65 Netzkabel
- 2 Omega-Hängebügel
- Bodenplatte
- 2 Haltestifte
- Blendschutz
- Filter
- Schnellanleitung

Wechselstrom

Dieses Gerät verfügt über ein Vorschaltgerät, das automatisch die anliegende Spannung erkennt, sobald der Netzstecker in die Schukosteckdose gesteckt wird, und kann mit einer Eingangsspannung von 100~240 V AC, 50/60 Hz arbeiten.

Serienschaltung der Geräte

Sie können bis zu 7 COLORado Batten Q15-Geräte bei 120 V AC, 13 Geräte bei 208 V AC, oder 14 Geräte bei 230 V AC in Serie schalten. Diese Anzahl niemals überschreiten! Stromkabel für die Serienschaltung können separat erworben werden.

Wechselstromstecker

Anschluss	Draht (USA)	Draht (Europa)	Schraubenfarbe
Stromführender AC-Leiter	Schwarz	Braun	Gelb/Messingfarben
AC-Neutralleiter	Weiß	Blau	Silber
AC-Erdungsleiter	Grün/Gelb	Grün/Gelb	Grün



- **Um unnötigen Verschleiß zu vermeiden und die Lebensdauer des Geräts zu verlängern, trennen Sie während längerer Perioden des Nichtgebrauchs das Gerät vom Stromnetz – entweder per Trennschalter oder durch Herausziehen des Steckers aus der Steckdose.**
- **Vergewissern Sie sich bei einer Verwendung dieses Geräts im Außenbereich, in der die Schutzart IP65 erforderlich ist, dass Stromkabel der Schutzart IP65 (oder höher) verwendet werden und nicht genutzte Anschlüsse mit den angebrachten Abdeckungen der Schutzart IP65 gesichert werden.**

DMX-Verbindung

Der COLORado Batten Q15 kann mit einem DMX-Controller betrieben werden, wenn eine 5-polige DMX-Serienschaltung zum Einsatz kommt. Sie können sich eine Einführung in DMX unter www.chauvetprofessional.com herunterladen.

DMX-Anschluss

Der COLORado Batten Q15 nutzt zur Steuerung seiner 9 Kontrollpersönlichkeiten reichen von 4-Kanal bis 76-Kanal in 1-Zelle-Modi und 15-Zellen-Modi eine 5-polige DMX-Datenverbindung:

Modus	Pixel	Simple	Basic	Advanced	HSIC
1-Zelle	N/A	4	8	10	6
15-Zellen	45	60	64	66	76

Master/Slave-Schaltung

Der COLORado Batten Q15 verwendet für seinen Master/Slave-Modus eine DMX-Datenverbindung. Informationen zum Anschließen und Konfigurieren des Geräts für einen Master/Slave-Betrieb finden Sie in der Bedienungsanleitung.

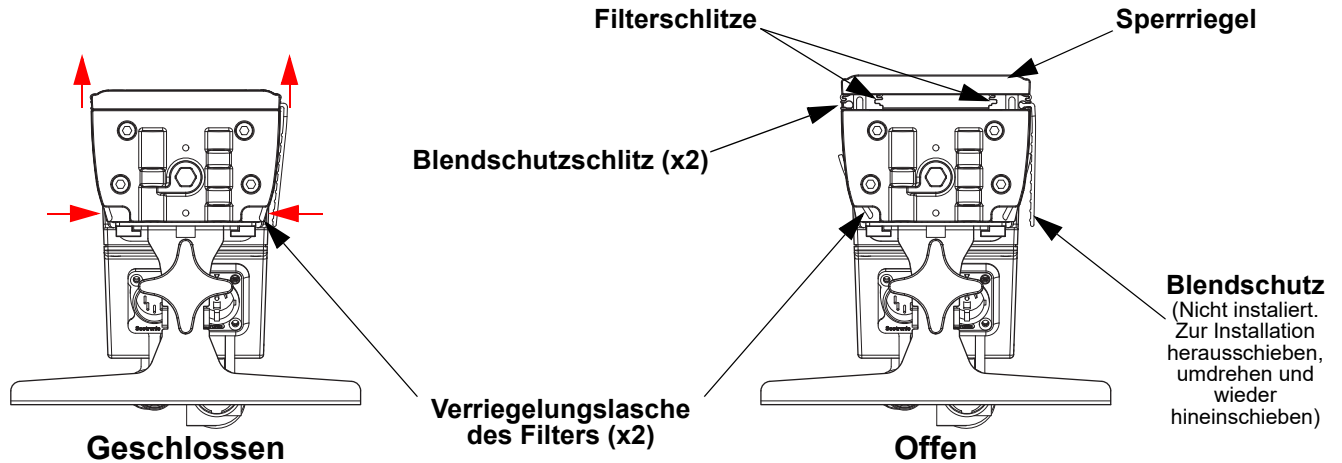
RDM (Remote Device Management)

Remote Device Management bzw. RDM ist ein Standard, mit dem DMX-aktivierte Geräte bidirektional entlang bestehender DMX-Kabel kommunizieren können. Lesen Sie die Bedienungsanleitung des DMX-Controllers oder wenden Sie sich an den Hersteller, da nicht alle DMX-Controller über diese Funktion verfügt. Der COLORado Batten Q15 unterstützt das RDM-Protokoll, das ein Feedback zur Vornahme von Änderungen der Menüoptionen erlaubt. Laden Sie für weiterführende Informationen unter www.chauvetprofessional.com das Benutzerhandbuch herunter.

Einbau des Filters

Der COLORado Batten Q15 beinhaltet einen Filter und einen Blendschutz. Befolgen Sie für den Einbau des Filters oder Blendschutzes folgende Schritte.

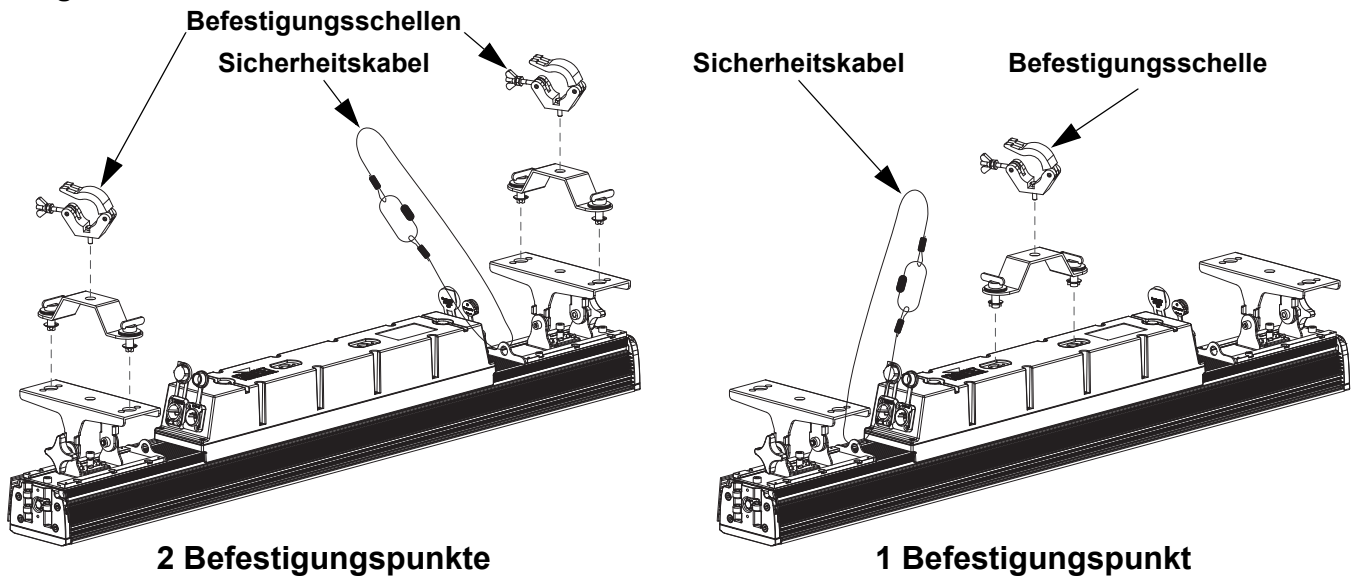
1. Suchen Sie nach dem Ende des Geräts mit der Seite, an denen sich der Stromanschluss und der DMX-Eingang befinden.
2. Drücken Sie die Verriegelungslaschen des Filters nach innen. Der Sperrriegel erscheint.
3. Schieben Sie den Filter und/oder den Blendschutz hinein oder heraus.
4. Drücken Sie die Verriegelungslasche nach unten, bis sie einrastet.



Montage

Lesen Sie vor der Montage dieses Geräts die [Sicherheitshinweise](#) durch. Stellen Sie sicher, dass die Befestigungsklemmen dafür ausgelegt sind, das Produktgewicht tragen zu können. Informationen zu unserer CHAUVET-Produktlinie für Befestigungsklemmen finden Sie unter <http://trusst.com/productcategory/truss-clamps/>.

Montageansicht



Bodenplatte

Jeder COLORado Batten Q15 verfügt über eine Bodenplatte und 2 Haltestifte für die Montage auf dem Boden oder eine vertikale, hängende Montage.

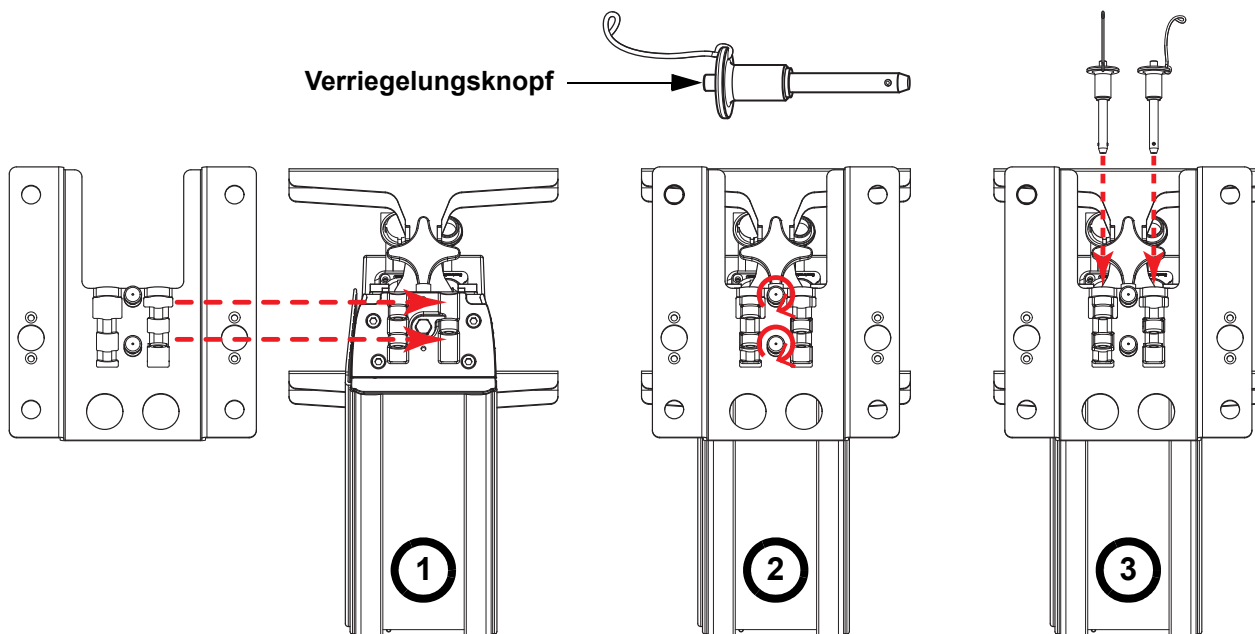


Jeder der Haltestifte haben Sicherheitskabel zur Erhöhung der Sicherheit.

Befestigung der Bodenplatte

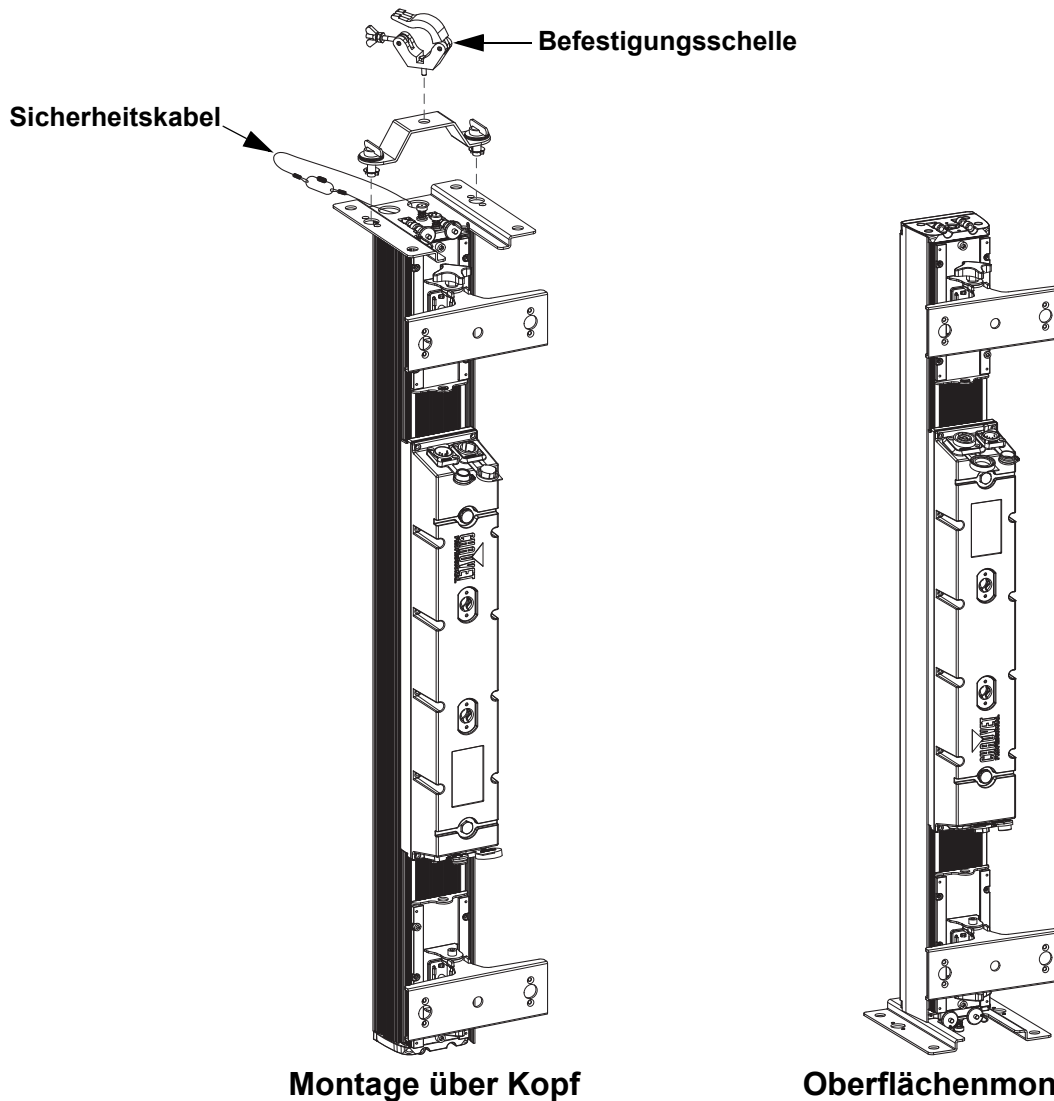
Zur Befestigung der Bodenplatte an jedem Ende des COLORado Batten Q15:

1. Richten Sie die Bodenplatte so aus, dass die Sicherheitskabel am Ende des Geräts und die Sicherheitskabel an der Bodenplatte aufeinander ausgerichtet sind und zusammenpassen.
2. Ziehen Sie die Sicherungsschrauben an der Bodenplatte fest.
3. Drücken Sie den Verriegelungsknopf am ersten Haltestift nach unten, halten Sie diesen gedrückt und stecken Sie in durch eine der Sicherheitskabel-Sets am Gerät und der Bodenplatte. Lassen Sie den Verriegelungsknopf los und wiederholen Sie dies am anderen Stift.



Montageansicht (mit Bodenplatte)

Lesen Sie vor der Montage dieses Geräts die [Sicherheitshinweise](#) durch. Stellen Sie sicher, dass die Befestigungsklemmen dafür ausgelegt sind, das Produktgewicht tragen zu können. Informationen zu unserer CHAUVET-Produktlinie für Befestigungsklemmen finden Sie unter <http://trusst.com/productcategory/truss-clamps/>.



Für eine fachgerechte Bodenmontage muss die Bodenplatte mit einem stabilen Untergrund, wie etwa dem Bühnenboden oder einer großen Bodenplatte, verschraubt sein.

Anleitung zum Anbringen mehrerer Geräte in Serie

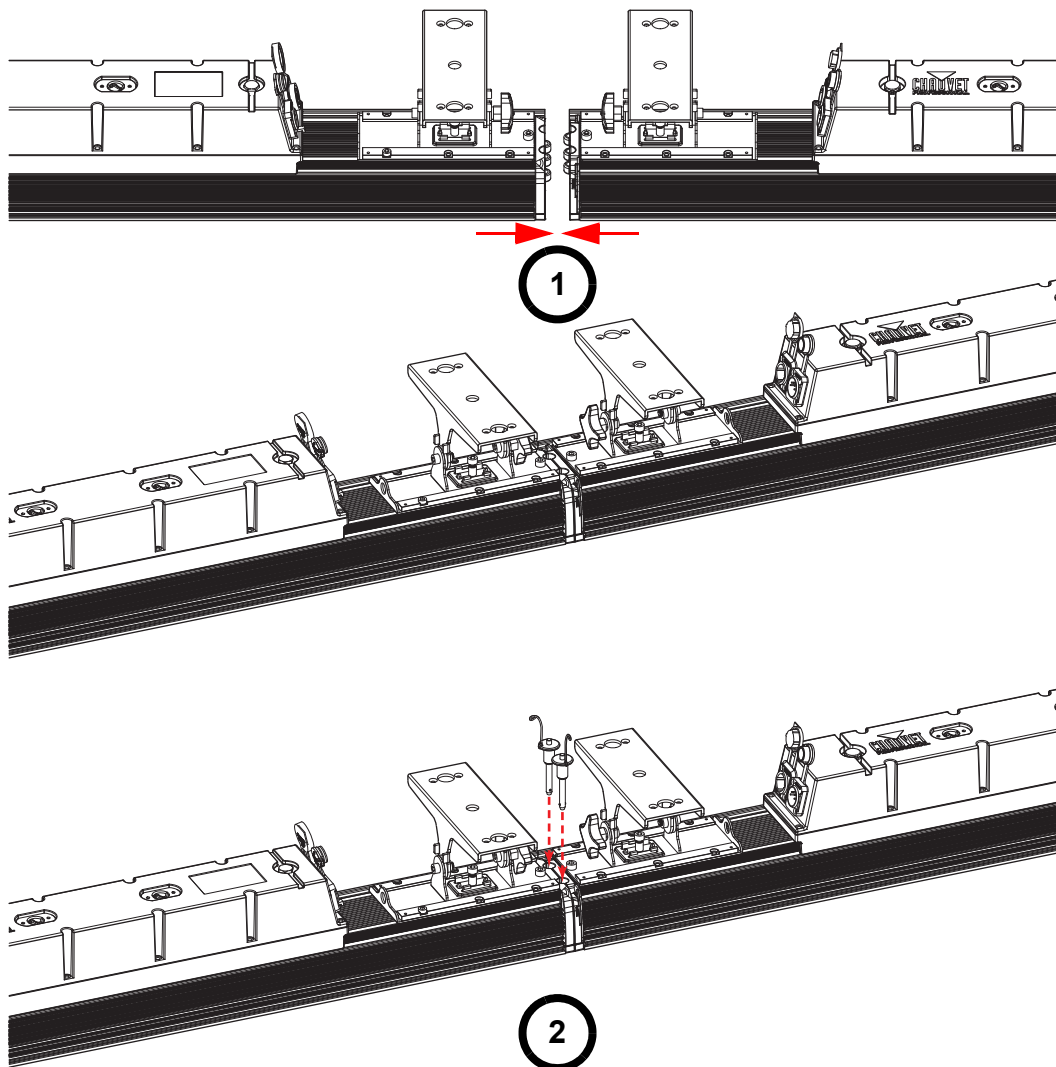
Es können 2 COLORado Batten Q15-Geräte mit den beiliegenden Haltestiften zusammengebaut werden, um die Geräte dann an einem Befestigungspunkt installieren zu können. Beim vertikalen Aufhängen dürfen nicht mehr als 2 COLORado Batten Q15-Geräte in einer Reihe geschaltet werden.



Jeder der Haltestifte haben Sicherheitskabel zur Erhöhung der Sicherheit.

Zur Befestigung von 2 Geräten in Serie:

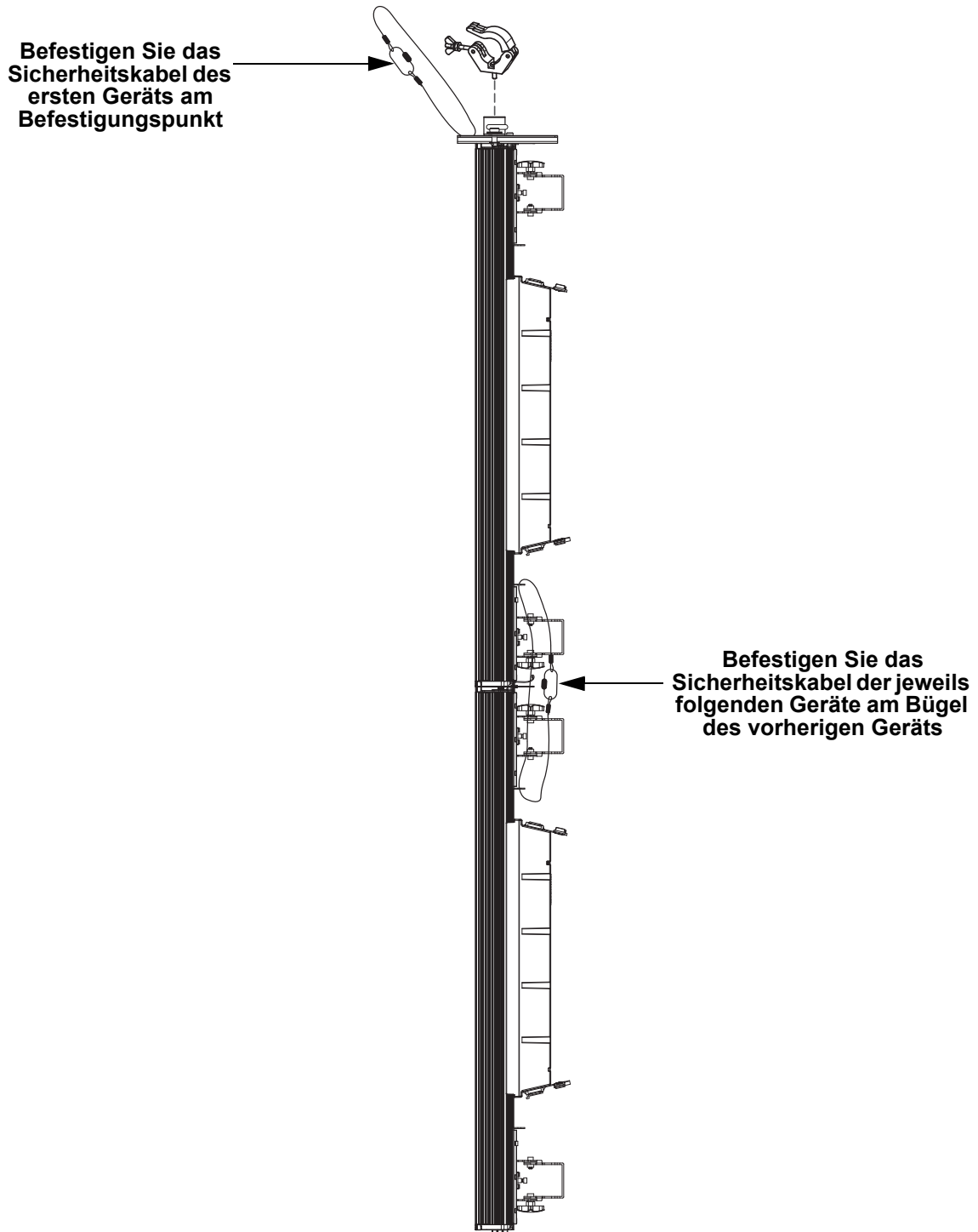
1. Richten Sie diese jeweils Ende an Ende aus, damit die Sicherheitskabel an jedem Ende des Geräts aufeinander ausgerichtet sind.
2. Drücken Sie den Verriegelungsknopf am ersten Haltestift nach unten, halten Sie diesen gedrückt und stecken Sie in durch eine der Sicherheitskabel-Sets an beiden Geräten. Lassen Sie den Verriegelungsknopf los und wiederholen Sie dies am anderen Stift.



Installieren Sie bei der Montage der COLORado Batten Q15-Geräte in Serie das Sicherheitskabel zuletzt.

Montage der Geräte bei einer Installation in Serie

1. Befestigen Sie die Bodenplatte des ersten Geräts in der Serie. (Siehe [Befestigung der Bodenplatte](#))
2. Befestigen Sie einen Omega-Haltebügel an der Bodenplatte und eine Befestigungsschelle am Omega-Haltebügel.
3. Befestigen Sie die Schelle an der gewünschten Konstruktion oder Oberfläche.
4. Befestigen Sie ein Sicherheitskabel an den Sicherheitsösen des Geräts.



Befestigen Sie niemals mehr als 2 Geräte aneinander, wenn diese vertikal an einem einzigen Aufhängepunkt aufgehängt werden.

Beschreibung des Bedienfeldes

Taste	Funktion
<MENU>	Damit verlassen Sie das aktuelle Menü oder die Funktion.
<ENTER>	Damit wird das aktuell angezeigte Menü aktiviert oder der aktuell ausgewählte Wert einer Funktion eingestellt.
<UP>	Damit navigieren Sie sich durch die Menüpunkte nach oben oder erhöhen den numerischen Wert der entsprechenden Funktion.
<DOWN>	Damit navigieren Sie sich durch die Menüpunkte nach unten oder verringern den numerischen Wert der entsprechenden Funktion.

Sicherheitscode

Geben Sie nach der entsprechenden Aufforderung den folgenden Sicherheitscode ein, indem Sie diese Tasten betätigen: <UP>, <DOWN>, <UP>, <DOWN>, <ENTER>.

Dieser Sicherheitscode kann nicht geändert werden und ist nach entsprechender Aufforderung immer zu verwenden.

Farbmakro Wert-Tabelle

DMX-Kanal-Wert	Roter Wert	Grünwert	Blauer Wert	Bernsteinfarbwert	Weißwert
000 ⇔ 010	Keine Funktion	Keine Funktion	Keine Funktion	Keine Funktion	Keine Funktion
011 ⇔ 034	100%	0–100%	0%	0%	0%
035 ⇔ 059	100–0%	100%	0%	0%	0%
060 ⇔ 084	0%	100%	0–100%	0%	0%
085 ⇔ 109	0%	100–0%	100%	0%	0%
110 ⇔ 134	0–100%	0%	100%	0%	0%
135 ⇔ 159	100%	0%	100–0%	0%	0%
160 ⇔ 184	100%	0–100%	0–100%	0%	0%
185 ⇔ 209	100–0%	100–0%	100%	0%	0%
210 ⇔ 255	100%	100%	100%	100%	100%

Farbtemperatur-Tabelle

DMX-Kanal-Wert	Farbtemperatur
000 ⇔ 010	Keine Funktion
011 ⇔ 028	1800K
029 ⇔ 046	2200K
047 ⇔ 064	2700K
065 ⇔ 082	3000K
083 ⇔ 100	3200K
101 ⇔ 118	3500K
119 ⇔ 136	4000K
137 ⇔ 154	4200K
155 ⇔ 172	4500K
173 ⇔ 190	5600K
191 ⇔ 208	6000K
209 ⇔ 226	6500K
227 ⇔ 244	7200K
245 ⇔ 255	8000K



Die oben genannten Farbtemperaturen sind simulierte Ähnlichkeiten der Farbausgabe im Vergleich zu einer Wolframlampe mit spezifizierter Farbtemperatur. Chauvet gibt keine Gewährleistung bezüglich der Genauigkeit der Farbausgabe.

Menüstruktur

Die neueste Menükarte finden Sie auf der COLORado Batten Q15--produktseite unter www.chauvetprofessional.com

Hauptebene	Programmirebenen			Beschreibung	
Start Address	1–509*			Wählt die DMX-Adresse aus (der höchste Kanal ist auf die gewählte Eigenschaft beschränkt)	
Personality	1 Simple			4-Kanal: RGBW	
	1 Basic			8-Kanal: 16-Bit Dimmer, RGBW, Farbmakro, Stroboskopeffekt	
	1 Advanced			10-Kanal: 16-Bit Dimmer, RGBW, Farbmakro, Farbtemperatur, Stroboskopeffekt, Dimmer Geschwindigkeit	
	1 HSIC			6-Kanal: Dimmer, 16-Bit Farbton, Farbsättigung, Stroboskopeffekt, Dimmer Geschwindigkeit	
	15 Pixel			45-Kanal (15-Zellen): RGB (pro Zelle)	
	15 Simple			60-Kanal (15-Zellen): RGBW (pro Zelle)	
	15 Basic			64-Kanal (15-Zellen): 16-Bit Dimmer, RGBW (pro Zelle), Farbmakro, Stroboskopeffekt	
	15 Advanced			66-Kanal (15-Zellen): 16-Bit Dimmer, RGBW (pro Zelle), Farbmakro, Farbtemperatur, Stroboskopeffekt, Dimmer Geschwindigkeit	
Output Setting	Power Mode			Meidet übermäßig hohe Temperaturen durch Anpassung des Intensitätsausgang	
	Steady Mode			Verwendet einen niedrigeren Intensitätsausgang mit konstanter Rate, um übermäßig hohe Temperaturen zu vermeiden	
Static Colors	Preset Colors	Color 1–14	0–100%	Voreingestellte statische Farben	
	CCT Temper	White 1–14		Voreingestellte Farbtemperaturen	
	RGBW	Red	0–255	Kombiniert rote, grüne, blaue und weiße Farben zu einer benutzerdefinierten Farbe	
		Green			
Blue					
White					
Auto Programs	Run	AUTO.1–10		SPEED 0–100%	Wählt das Auto-Programm und die Programm-Geschwindigkeit aus
		Program 1–10			
	Edit	Program 1–10	Scene-01–30	Red 0–255	Wählt ein Benutzer-Programm und bearbeitet es
				Green 0–255	
Blue 0–255					
White 0–255					
Master/Slave	Master			DMX-Modus (Master)	
	Slave			Slave-Modus	
Dimmer Mode	OFF			Linear dimmer	
	DIM1–4			Dimmungskurven DIM1 (schnell) nach DIM4 (langsam)	

Hauptebene	Programmirebenen		Beschreibung	
LED Frequency	1200Hz		Stellt die PWM-Frequenz ein	
	2000Hz			
	2400Hz			
	4000Hz			
	6000Hz			
	25000Hz			
Cell Order	1 - 15(Left to Right)		Wählt die Reihenfolge der Zellen	
	15 - 1(Right to Left)			
Settings	**** (Enter Passcode)	DMX Error/ Loss	Hold Last Blackout	Geht bei Verlust der DMX-Steuerung mit dem letzten Befehl weiter Verdunkelung bei Verlust von DMX aus
		Disp TimeOut	On	On
	10s		10s	Damit wird die Anzeige nach 10 Sekunden Inaktivität ausgeschaltet
	20s		20s	Damit wird die Anzeige nach 20 Sekunden Inaktivität ausgeschaltet
	30s		30s	Damit wird die Anzeige nach 30 Sekunden Inaktivität ausgeschaltet
	Disp Passcode	On Off	On Off	Damit wird die Anzeige gesperrt (Passwort lautet <UP>, <DOWN>, <UP>, <DOWN>, <ENTER>)
	Information	Fixture Hours		--- Hours
Firmware Version		V_._	Zeigt die aktuelle Firmware-Version an	
RDM		UID	-----	Zeigt die Geräte-UID an
		Label	Batten Q15	Zeigt den Produktnamen für RDM an
Factory Reset	No	**** (Enter Passcode)		Damit stellen Sie das Gerät auf die Werkseinstellungen zurück
	Yes			

15-Zellen-DMX-Werte

15 HSIC (76 Kanäle)

Kanal	Funktion	Wert	Prozent/Einstellung
1	Dimmer 1	000 ⇔ 255	0–100%
2	Farbton 1	000 ⇔ 255	0–100%
3	Feine Farbton 1	000 ⇔ 255	0–100%
4	Farbsättigung 1	000 ⇔ 255	0–100%
5	Stroboskop 1	000 ⇔ 009	Keine Funktion
		010 ⇔ 099	Stroboskop, von langsam nach schnell
		100 ⇔ 109	Keine Funktion
		110 ⇔ 179	Blitzeffekt, langsam nach schnell
		180 ⇔ 189	Keine Funktion
		190 ⇔ 255	Zufalls-Stroboskop, langsam nach schnell
6	Dimmer 2	000 ⇔ 255	0–100%
7	Farbton 2	000 ⇔ 255	0–100%
8	Feine Farbton 2	000 ⇔ 255	0–100%
9	Farbsättigung 2	000 ⇔ 255	0–100%
10	Stroboskop 2	000 ⇔ 009	Keine Funktion
		010 ⇔ 099	Stroboskop, von langsam nach schnell
		100 ⇔ 109	Keine Funktion
		110 ⇔ 179	Blitzeffekt, langsam nach schnell
		180 ⇔ 189	Keine Funktion
		190 ⇔ 255	Zufalls-Stroboskop, langsam nach schnell
11	Dimmer 3	000 ⇔ 255	0–100%
12	Farbton 3	000 ⇔ 255	0–100%
13	Feine Farbton 3	000 ⇔ 255	0–100%
14	Farbsättigung 3	000 ⇔ 255	0–100%
15	Stroboskop 3	000 ⇔ 009	Keine Funktion
		010 ⇔ 099	Stroboskop, von langsam nach schnell
		100 ⇔ 109	Keine Funktion
		110 ⇔ 179	Blitzeffekt, langsam nach schnell
		180 ⇔ 189	Keine Funktion
		190 ⇔ 255	Zufalls-Stroboskop, langsam nach schnell
16	Dimmer 4	000 ⇔ 255	0–100%
17	Farbton 4	000 ⇔ 255	0–100%
18	Feine Farbton 4	000 ⇔ 255	0–100%
19	Farbsättigung 4	000 ⇔ 255	0–100%
20	Stroboskop 4	000 ⇔ 009	Keine Funktion
		010 ⇔ 099	Stroboskop, von langsam nach schnell
		100 ⇔ 109	Keine Funktion
		110 ⇔ 179	Blitzeffekt, langsam nach schnell
		180 ⇔ 189	Keine Funktion
		190 ⇔ 255	Zufalls-Stroboskop, langsam nach schnell
21	Dimmer 5	000 ⇔ 255	0–100%
22	Farbton 5	000 ⇔ 255	0–100%
23	Feine Farbton 5	000 ⇔ 255	0–100%
24	Farbsättigung 5	000 ⇔ 255	0–100%
25	Stroboskop 5	000 ⇔ 009	Keine Funktion
		010 ⇔ 099	Stroboskop, von langsam nach schnell
		100 ⇔ 109	Keine Funktion
		110 ⇔ 179	Blitzeffekt, langsam nach schnell
		180 ⇔ 189	Keine Funktion
		190 ⇔ 255	Zufalls-Stroboskop, langsam nach schnell
26	Dimmer 6	000 ⇔ 255	0–100%
27	Farbton 6	000 ⇔ 255	0–100%
28	Feine Farbton 6	000 ⇔ 255	0–100%
29	Farbsättigung 6	000 ⇔ 255	0–100%

Kanal	Funktion	Wert	Prozent/Einstellung
30	Stroboskop 6	000 ⇔ 009	Keine Funktion
		010 ⇔ 099	Stroboskop, von langsam nach schnell
		100 ⇔ 109	Keine Funktion
		110 ⇔ 179	Blitzeffekt, langsam nach schnell
		180 ⇔ 189	Keine Funktion
		190 ⇔ 255	Zufalls-Stroboskop, langsam nach schnell
31	Dimmer 7	000 ⇔ 255	0–100%
32	Farbton 7	000 ⇔ 255	0–100%
33	Feine Farbton 7	000 ⇔ 255	0–100%
34	Farbsättigung 7	000 ⇔ 255	0–100%
35	Stroboskop 7	000 ⇔ 009	Keine Funktion
		010 ⇔ 099	Stroboskop, von langsam nach schnell
		100 ⇔ 109	Keine Funktion
		110 ⇔ 179	Blitzeffekt, langsam nach schnell
		180 ⇔ 189	Keine Funktion
		190 ⇔ 255	Zufalls-Stroboskop, langsam nach schnell
36	Dimmer 8	000 ⇔ 255	0–100%
37	Farbton 8	000 ⇔ 255	0–100%
38	Feine Farbton 8	000 ⇔ 255	0–100%
39	Farbsättigung 8	000 ⇔ 255	0–100%
40	Stroboskop 8	000 ⇔ 009	Keine Funktion
		010 ⇔ 099	Stroboskop, von langsam nach schnell
		100 ⇔ 109	Keine Funktion
		110 ⇔ 179	Blitzeffekt, langsam nach schnell
		180 ⇔ 189	Keine Funktion
		190 ⇔ 255	Zufalls-Stroboskop, langsam nach schnell
41	Dimmer 9	000 ⇔ 255	0–100%
42	Farbton 9	000 ⇔ 255	0–100%
43	Feine Farbton 9	000 ⇔ 255	0–100%
44	Farbsättigung 9	000 ⇔ 255	0–100%
45	Stroboskop 9	000 ⇔ 009	Keine Funktion
		010 ⇔ 099	Stroboskop, von langsam nach schnell
		100 ⇔ 109	Keine Funktion
		110 ⇔ 179	Blitzeffekt, langsam nach schnell
		180 ⇔ 189	Keine Funktion
		190 ⇔ 255	Zufalls-Stroboskop, langsam nach schnell
46	Dimmer 10	000 ⇔ 255	0–100%
47	Farbton 10	000 ⇔ 255	0–100%
48	Feine Farbton 10	000 ⇔ 255	0–100%
49	Farbsättigung 10	000 ⇔ 255	0–100%
50	Stroboskop 10	000 ⇔ 009	Keine Funktion
		010 ⇔ 099	Stroboskop, von langsam nach schnell
		100 ⇔ 109	Keine Funktion
		110 ⇔ 179	Blitzeffekt, langsam nach schnell
		180 ⇔ 189	Keine Funktion
		190 ⇔ 255	Zufalls-Stroboskop, langsam nach schnell
51	Dimmer 11	000 ⇔ 255	0–100%
52	Farbton 11	000 ⇔ 255	0–100%
53	Feine Farbton 11	000 ⇔ 255	0–100%
54	Farbsättigung 11	000 ⇔ 255	0–100%
55	Stroboskop 11	000 ⇔ 009	Keine Funktion
		010 ⇔ 099	Stroboskop, von langsam nach schnell
		100 ⇔ 109	Keine Funktion
		110 ⇔ 179	Blitzeffekt, langsam nach schnell
		180 ⇔ 189	Keine Funktion
		190 ⇔ 255	Zufalls-Stroboskop, langsam nach schnell

Kanal	Funktion	Wert	Prozent/Einstellung
56	Dimmer 12	000 ⇔ 255	0–100%
57	Farbton 12	000 ⇔ 255	0–100%
58	Feine Farbton 12	000 ⇔ 255	0–100%
59	Farbsättigung 12	000 ⇔ 255	0–100%
60	Stroboskop 12	000 ⇔ 009	Keine Funktion
		010 ⇔ 099	Stroboskop, von langsam nach schnell
		100 ⇔ 109	Keine Funktion
		110 ⇔ 179	Blitzeffekt, langsam nach schnell
		180 ⇔ 189	Keine Funktion
		190 ⇔ 255	Zufalls-Stroboskop, langsam nach schnell
61	Dimmer 13	000 ⇔ 255	0–100%
62	Farbton 13	000 ⇔ 255	0–100%
63	Feine Farbton 13	000 ⇔ 255	0–100%
64	Farbsättigung 13	000 ⇔ 255	0–100%
65	Stroboskop 13	000 ⇔ 009	Keine Funktion
		010 ⇔ 099	Stroboskop, von langsam nach schnell
		100 ⇔ 109	Keine Funktion
		110 ⇔ 179	Blitzeffekt, langsam nach schnell
		180 ⇔ 189	Keine Funktion
		190 ⇔ 255	Zufalls-Stroboskop, langsam nach schnell
66	Dimmer 14	000 ⇔ 255	0–100%
67	Farbton 14	000 ⇔ 255	0–100%
68	Feine Farbton 14	000 ⇔ 255	0–100%
69	Farbsättigung 14	000 ⇔ 255	0–100%
70	Stroboskop 14	000 ⇔ 009	Keine Funktion
		010 ⇔ 099	Stroboskop, von langsam nach schnell
		100 ⇔ 109	Keine Funktion
		110 ⇔ 179	Blitzeffekt, langsam nach schnell
		180 ⇔ 189	Keine Funktion
		190 ⇔ 255	Zufalls-Stroboskop, langsam nach schnell
71	Dimmer 15	000 ⇔ 255	0–100%
72	Farbton 15	000 ⇔ 255	0–100%
73	Feine Farbton 15	000 ⇔ 255	0–100%
74	Farbsättigung 15	000 ⇔ 255	0–100%
75	Stroboskop 15	000 ⇔ 009	Keine Funktion
		010 ⇔ 099	Stroboskop, von langsam nach schnell
		100 ⇔ 109	Keine Funktion
		110 ⇔ 179	Blitzeffekt, langsam nach schnell
		180 ⇔ 189	Keine Funktion
		190 ⇔ 255	Zufalls-Stroboskop, langsam nach schnell
76	Dimmergeschwindigkeit	000 ⇔ 009	Dimmergeschwindigkeit von Anzeige eingestellt
		010 ⇔ 029	Dimmer-Geschwindigkeits-Modus aus
		030 ⇔ 069	Dimmer-Geschwindigkeits-Modus 1 (schnellste)
		070 ⇔ 129	Dimmer-Geschwindigkeits-Modus 2
		130 ⇔ 189	Dimmer-Geschwindigkeits-Modus 3
		190 ⇔ 255	Dimmer-Geschwindigkeits-Modus 4 (langsamste)

15 "Advanced" (66 Kanäle)

Kanal	Funktion	Wert	Prozent/Einstellung
1	Dimmer	000 ⇔ 255	0–100%
2	Feine Dimmer	000 ⇔ 255	0–100%
3	Rot 1	000 ⇔ 255	0–100%
4	Grün 1	000 ⇔ 255	0–100%
5	Blau 1	000 ⇔ 255	0–100%
6	Weiß 1	000 ⇔ 255	0–100%
7	Rot 2	000 ⇔ 255	0–100%
8	Grün 2	000 ⇔ 255	0–100%
9	Blau 2	000 ⇔ 255	0–100%
10	Weiß 2	000 ⇔ 255	0–100%
11	Rot 3	000 ⇔ 255	0–100%
12	Grün 3	000 ⇔ 255	0–100%
13	Blau 3	000 ⇔ 255	0–100%
14	Weiß 3	000 ⇔ 255	0–100%
15	Rot 4	000 ⇔ 255	0–100%
16	Grün 4	000 ⇔ 255	0–100%
17	Blau 4	000 ⇔ 255	0–100%
18	Weiß 4	000 ⇔ 255	0–100%
19	Rot 5	000 ⇔ 255	0–100%
20	Grün 5	000 ⇔ 255	0–100%
21	Blau 5	000 ⇔ 255	0–100%
22	Weiß 5	000 ⇔ 255	0–100%
23	Rot 6	000 ⇔ 255	0–100%
24	Grün 6	000 ⇔ 255	0–100%
25	Blau 6	000 ⇔ 255	0–100%
26	Weiß 6	000 ⇔ 255	0–100%
27	Rot 7	000 ⇔ 255	0–100%
28	Grün 7	000 ⇔ 255	0–100%
29	Blau 7	000 ⇔ 255	0–100%
30	Weiß 7	000 ⇔ 255	0–100%
31	Rot 8	000 ⇔ 255	0–100%
32	Grün 8	000 ⇔ 255	0–100%
33	Blau 8	000 ⇔ 255	0–100%
34	Weiß 8	000 ⇔ 255	0–100%
35	Rot 9	000 ⇔ 255	0–100%
36	Grün 9	000 ⇔ 255	0–100%
37	Blau 9	000 ⇔ 255	0–100%
38	Weiß 9	000 ⇔ 255	0–100%
39	Rot 10	000 ⇔ 255	0–100%
40	Grün 10	000 ⇔ 255	0–100%
41	Blau 10	000 ⇔ 255	0–100%
42	Weiß 10	000 ⇔ 255	0–100%
43	Rot 11	000 ⇔ 255	0–100%
44	Grün 11	000 ⇔ 255	0–100%
45	Blau 11	000 ⇔ 255	0–100%
46	Weiß 11	000 ⇔ 255	0–100%
47	Rot 12	000 ⇔ 255	0–100%
48	Grün 12	000 ⇔ 255	0–100%
49	Blau 12	000 ⇔ 255	0–100%
50	Weiß 12	000 ⇔ 255	0–100%
51	Rot 13	000 ⇔ 255	0–100%
52	Grün 13	000 ⇔ 255	0–100%
53	Blau 13	000 ⇔ 255	0–100%
54	Weiß 13	000 ⇔ 255	0–100%
55	Rot 14	000 ⇔ 255	0–100%
56	Grün 14	000 ⇔ 255	0–100%

Kanal	Funktion	Wert	Prozent/Einstellung
57	Blau 14	000 ⇔ 255	0–100%
58	Weiß 14	000 ⇔ 255	0–100%
59	Rot 15	000 ⇔ 255	0–100%
60	Grün 15	000 ⇔ 255	0–100%
61	Blau 15	000 ⇔ 255	0–100%
62	Weiß 15	000 ⇔ 255	0–100%
63	Farbmakros	000 ⇔ 255	Siehe Farbmakro Wert-Tabelle
64	Farbtemperaturen	000 ⇔ 255	Siehe Farbtemperatur-Tabelle
65	Stroboskop	000 ⇔ 009	Keine Funktion
		010 ⇔ 099	Stroboskop, von langsam nach schnell
		100 ⇔ 109	Keine Funktion
		110 ⇔ 179	Blitzeffekt, langsam nach schnell
		180 ⇔ 189	Keine Funktion
		190 ⇔ 255	Zufalls-Stroboskop, langsam nach schnell
66	Dimmergeschwindigkeit	000 ⇔ 009	Dimmergeschwindigkeit von Anzeige eingestellt
		010 ⇔ 029	Dimmer-Geschwindigkeits-Modus aus
		030 ⇔ 069	Dimmer-Geschwindigkeits-Modus 1 (schnellste)
		070 ⇔ 129	Dimmer-Geschwindigkeits-Modus 2
		130 ⇔ 189	Dimmer-Geschwindigkeits-Modus 3
		190 ⇔ 255	Dimmer-Geschwindigkeits-Modus 4 (langsamste)

15 “Basic” (64 Kanäle)

Kanal	Funktion	Wert	Prozent/Einstellung
1	Dimmer	000 ⇔ 255	0–100%
2	Feine Dimmer	000 ⇔ 255	0–100%
3	Rot 1	000 ⇔ 255	0–100%
4	Grün 1	000 ⇔ 255	0–100%
5	Blau 1	000 ⇔ 255	0–100%
6	Weiß 1	000 ⇔ 255	0–100%
7	Rot 2	000 ⇔ 255	0–100%
8	Grün 2	000 ⇔ 255	0–100%
9	Blau 2	000 ⇔ 255	0–100%
10	Weiß 2	000 ⇔ 255	0–100%
11	Rot 3	000 ⇔ 255	0–100%
12	Grün 3	000 ⇔ 255	0–100%
13	Blau 3	000 ⇔ 255	0–100%
14	Weiß 3	000 ⇔ 255	0–100%
15	Rot 4	000 ⇔ 255	0–100%
16	Grün 4	000 ⇔ 255	0–100%
17	Blau 4	000 ⇔ 255	0–100%
18	Weiß 4	000 ⇔ 255	0–100%
19	Rot 5	000 ⇔ 255	0–100%
20	Grün 5	000 ⇔ 255	0–100%
21	Blau 5	000 ⇔ 255	0–100%
22	Weiß 5	000 ⇔ 255	0–100%
23	Rot 6	000 ⇔ 255	0–100%
24	Grün 6	000 ⇔ 255	0–100%
25	Blau 6	000 ⇔ 255	0–100%
26	Weiß 6	000 ⇔ 255	0–100%
27	Rot 7	000 ⇔ 255	0–100%
28	Grün 7	000 ⇔ 255	0–100%
29	Blau 7	000 ⇔ 255	0–100%
30	Weiß 7	000 ⇔ 255	0–100%
31	Rot 8	000 ⇔ 255	0–100%
32	Grün 8	000 ⇔ 255	0–100%
33	Blau 8	000 ⇔ 255	0–100%

Kanal	Funktion	Wert	Prozent/Einstellung
34	Weiß 8	000 ⇔ 255	0–100%
35	Rot 9	000 ⇔ 255	0–100%
36	Grün 9	000 ⇔ 255	0–100%
37	Blau 9	000 ⇔ 255	0–100%
38	Weiß 9	000 ⇔ 255	0–100%
39	Rot 10	000 ⇔ 255	0–100%
40	Grün 10	000 ⇔ 255	0–100%
41	Blau 10	000 ⇔ 255	0–100%
42	Weiß 10	000 ⇔ 255	0–100%
43	Rot 11	000 ⇔ 255	0–100%
44	Grün 11	000 ⇔ 255	0–100%
45	Blau 11	000 ⇔ 255	0–100%
46	Weiß 11	000 ⇔ 255	0–100%
47	Rot 12	000 ⇔ 255	0–100%
48	Grün 12	000 ⇔ 255	0–100%
49	Blau 12	000 ⇔ 255	0–100%
50	Weiß 12	000 ⇔ 255	0–100%
51	Rot 13	000 ⇔ 255	0–100%
52	Grün 13	000 ⇔ 255	0–100%
53	Blau 13	000 ⇔ 255	0–100%
54	Weiß 13	000 ⇔ 255	0–100%
55	Rot 14	000 ⇔ 255	0–100%
56	Grün 14	000 ⇔ 255	0–100%
57	Blau 14	000 ⇔ 255	0–100%
58	Weiß 14	000 ⇔ 255	0–100%
59	Rot 15	000 ⇔ 255	0–100%
60	Grün 15	000 ⇔ 255	0–100%
61	Blau 15	000 ⇔ 255	0–100%
62	Weiß 15	000 ⇔ 255	0–100%
63	Farbmakros	000 ⇔ 255	Siehe Farbmakro Wert-Tabelle
64	Stroboskop	000 ⇔ 009 010 ⇔ 099 100 ⇔ 109 110 ⇔ 179 180 ⇔ 189 190 ⇔ 255	Keine Funktion Stroboskop, von langsam nach schnell Keine Funktion Blitzeffekt, langsam nach schnell Keine Funktion Zufalls-Stroboskop, langsam nach schnell

15 “Simple” (60 Kanäle)

Kanal	Funktion	Wert	Prozent/Einstellung
1	Rot 1	000 ⇔ 255	0–100%
2	Grün 1	000 ⇔ 255	0–100%
3	Blau 1	000 ⇔ 255	0–100%
4	Weiß 1	000 ⇔ 255	0–100%
5	Rot 2	000 ⇔ 255	0–100%
6	Grün 2	000 ⇔ 255	0–100%
7	Blau 2	000 ⇔ 255	0–100%
8	Weiß 2	000 ⇔ 255	0–100%
9	Rot 3	000 ⇔ 255	0–100%
10	Grün 3	000 ⇔ 255	0–100%
11	Blau 3	000 ⇔ 255	0–100%
12	Weiß 3	000 ⇔ 255	0–100%
13	Rot 4	000 ⇔ 255	0–100%
14	Grün 4	000 ⇔ 255	0–100%
15	Blau 4	000 ⇔ 255	0–100%
16	Weiß 4	000 ⇔ 255	0–100%
17	Rot 5	000 ⇔ 255	0–100%

Kanal	Funktion	Wert	Prozent/Einstellung
18	Grün 5	000 ⇔ 255	0–100%
19	Blau 5	000 ⇔ 255	0–100%
20	Weiß 5	000 ⇔ 255	0–100%
21	Rot 6	000 ⇔ 255	0–100%
22	Grün 6	000 ⇔ 255	0–100%
23	Blau 6	000 ⇔ 255	0–100%
24	Weiß 6	000 ⇔ 255	0–100%
25	Rot 7	000 ⇔ 255	0–100%
26	Grün 7	000 ⇔ 255	0–100%
27	Blau 7	000 ⇔ 255	0–100%
28	Weiß 7	000 ⇔ 255	0–100%
29	Rot 8	000 ⇔ 255	0–100%
30	Grün 8	000 ⇔ 255	0–100%
31	Blau 8	000 ⇔ 255	0–100%
32	Weiß 8	000 ⇔ 255	0–100%
33	Rot 9	000 ⇔ 255	0–100%
34	Grün 9	000 ⇔ 255	0–100%
35	Blau 9	000 ⇔ 255	0–100%
36	Weiß 9	000 ⇔ 255	0–100%
37	Rot 10	000 ⇔ 255	0–100%
38	Grün 10	000 ⇔ 255	0–100%
39	Blau 10	000 ⇔ 255	0–100%
40	Weiß 10	000 ⇔ 255	0–100%
41	Rot 11	000 ⇔ 255	0–100%
42	Grün 11	000 ⇔ 255	0–100%
43	Blau 11	000 ⇔ 255	0–100%
44	Weiß 11	000 ⇔ 255	0–100%
45	Rot 12	000 ⇔ 255	0–100%
46	Grün 12	000 ⇔ 255	0–100%
47	Blau 12	000 ⇔ 255	0–100%
48	Weiß 12	000 ⇔ 255	0–100%
49	Rot 13	000 ⇔ 255	0–100%
50	Grün 13	000 ⇔ 255	0–100%
51	Blau 13	000 ⇔ 255	0–100%
52	Weiß 13	000 ⇔ 255	0–100%
53	Rot 14	000 ⇔ 255	0–100%
54	Grün 14	000 ⇔ 255	0–100%
55	Blau 14	000 ⇔ 255	0–100%
56	Weiß 14	000 ⇔ 255	0–100%
57	Rot 15	000 ⇔ 255	0–100%
58	Grün 15	000 ⇔ 255	0–100%
59	Blau 15	000 ⇔ 255	0–100%
60	Weiß 15	000 ⇔ 255	0–100%

15 Pixel (45 Kanäle)

Kanal	Funktion	Wert	Prozent/Einstellung
1	Rot 1	000 ⇔ 255	0–100%
2	Grün 1	000 ⇔ 255	0–100%
3	Blau 1	000 ⇔ 255	0–100%
4	Rot 2	000 ⇔ 255	0–100%
5	Grün 2	000 ⇔ 255	0–100%
6	Blau 2	000 ⇔ 255	0–100%
7	Rot 3	000 ⇔ 255	0–100%
8	Grün 3	000 ⇔ 255	0–100%
9	Blau 3	000 ⇔ 255	0–100%
10	Rot 4	000 ⇔ 255	0–100%
11	Grün 4	000 ⇔ 255	0–100%
12	Blau 4	000 ⇔ 255	0–100%
13	Rot 5	000 ⇔ 255	0–100%
14	Grün 5	000 ⇔ 255	0–100%
15	Blau 5	000 ⇔ 255	0–100%
16	Rot 6	000 ⇔ 255	0–100%
17	Grün 6	000 ⇔ 255	0–100%
18	Blau 6	000 ⇔ 255	0–100%
19	Rot 7	000 ⇔ 255	0–100%
20	Grün 7	000 ⇔ 255	0–100%
21	Blau 7	000 ⇔ 255	0–100%
22	Rot 8	000 ⇔ 255	0–100%
23	Grün 8	000 ⇔ 255	0–100%
24	Blau 8	000 ⇔ 255	0–100%
25	Rot 9	000 ⇔ 255	0–100%
26	Grün 9	000 ⇔ 255	0–100%
27	Blau 9	000 ⇔ 255	0–100%
28	Rot 10	000 ⇔ 255	0–100%
29	Grün 10	000 ⇔ 255	0–100%
30	Blau 10	000 ⇔ 255	0–100%
31	Rot 11	000 ⇔ 255	0–100%
32	Grün 11	000 ⇔ 255	0–100%
33	Blau 11	000 ⇔ 255	0–100%
34	Rot 12	000 ⇔ 255	0–100%
35	Grün 12	000 ⇔ 255	0–100%
36	Blau 12	000 ⇔ 255	0–100%
37	Rot 13	000 ⇔ 255	0–100%
38	Grün 13	000 ⇔ 255	0–100%
39	Blau 13	000 ⇔ 255	0–100%
40	Rot 14	000 ⇔ 255	0–100%
41	Grün 14	000 ⇔ 255	0–100%
42	Blau 14	000 ⇔ 255	0–100%
43	Rot 15	000 ⇔ 255	0–100%
44	Grün 15	000 ⇔ 255	0–100%
45	Blau 15	000 ⇔ 255	0–100%

1-Zellen-DMX-Wert
1 HSIC (6 Kanäle)

Kanal	Funktion	Wert	Prozent/Einstellung
1	Dimmer	000 ⇔ 255	0–100%
2	Farbton	000 ⇔ 255	0–100%
3	Feine Farbton	000 ⇔ 255	0–100%
4	Farbsättigung	000 ⇔ 255	0–100%
5	Stroboskop	000 ⇔ 009	Keine Funktion
		010 ⇔ 099	Stroboskop, von langsam nach schnell
		100 ⇔ 109	Keine Funktion
		110 ⇔ 179	Blitzeffekt, langsam nach schnell
		180 ⇔ 189	Keine Funktion
190 ⇔ 255	Zufalls-Stroboskop, langsam nach schnell		
6	Dimmergeschwindigkeit	000 ⇔ 009	Dimmergeschwindigkeit von Anzeige eingestellt
		010 ⇔ 029	Dimmer-Geschwindigkeits-Modus aus
		030 ⇔ 069	Dimmer-Geschwindigkeits-Modus 1 (schnellste)
		070 ⇔ 129	Dimmer-Geschwindigkeits-Modus 2
		130 ⇔ 189	Dimmer-Geschwindigkeits-Modus 3
		190 ⇔ 255	Dimmer-Geschwindigkeits-Modus 4 (langsamste)

1 “Advanced” (10 Kanäle)

Kanal	Funktion	Wert	Prozent/Einstellung
1	Dimmer	000 ⇔ 255	0–100%
2	Feine Dimmer	000 ⇔ 255	0–100%
3	Rot	000 ⇔ 255	0–100%
4	Grün	000 ⇔ 255	0–100%
5	Blau	000 ⇔ 255	0–100%
6	Weiß	000 ⇔ 255	0–100%
7	Farbmakros	000 ⇔ 255	Siehe Farbmakro Wert-Tabelle
8	Farbtemperaturen	000 ⇔ 255	Siehe Farbtemperatur-Tabelle
9	Stroboskop	000 ⇔ 009	Keine Funktion
		010 ⇔ 099	Stroboskop, von langsam nach schnell
		100 ⇔ 109	Keine Funktion
		110 ⇔ 179	Blitzeffekt, langsam nach schnell
		180 ⇔ 189	Keine Funktion
190 ⇔ 255	Zufalls-Stroboskop, langsam nach schnell		
10	Dimmergeschwindigkeit	000 ⇔ 009	Dimmergeschwindigkeit von Anzeige eingestellt
		010 ⇔ 029	Dimmer-Geschwindigkeits-Modus aus
		030 ⇔ 069	Dimmer-Geschwindigkeits-Modus 1 (schnellste)
		070 ⇔ 129	Dimmer-Geschwindigkeits-Modus 2
		130 ⇔ 189	Dimmer-Geschwindigkeits-Modus 3
		190 ⇔ 255	Dimmer-Geschwindigkeits-Modus 4 (langsamste)

DE

1 "Basic" (8 Kanäle)

Kanal	Funktion	Wert	Prozent/Einstellung
1	Dimmer	000 ⇔ 255	0–100%
2	Feine Dimmer	000 ⇔ 255	0–100%
3	Rot	000 ⇔ 255	0–100%
4	Grün	000 ⇔ 255	0–100%
5	Blau	000 ⇔ 255	0–100%
6	Weiß	000 ⇔ 255	0–100%
7	Farbmakros	000 ⇔ 255	Siehe Farbmakro Wert-Tabelle
8	Stroboskop	000 ⇔ 009	Keine Funktion
		010 ⇔ 099	Stroboskop, von langsam nach schnell
		100 ⇔ 109	Keine Funktion
		110 ⇔ 179	Blitzeffekt, langsam nach schnell
		180 ⇔ 189	Keine Funktion
		190 ⇔ 255	Zufalls-Stroboskop, langsam nach schnell

1 "Simple" (4 Kanäle)

Kanal	Funktion	Wert	Prozent/Einstellung
1	Rot	000 ⇔ 255	0–100%
2	Grün	000 ⇔ 255	0–100%
3	Blau	000 ⇔ 255	0–100%
4	Weiß	000 ⇔ 255	0–100%

Over deze handleiding

De COLORado Batten Q15 Beknopte Handleiding (BH) bevat basisinformatie over het product, zoals aansluiting, montage, menu-opties en DMX-waarden. Download de gebruikershandleiding op www.chauvetprofessional.com voor meer informatie.

Disclaimer

De informatie en specificaties in deze BH kunnen zonder voorafgaande kennisgeving worden gewijzigd.

BEPERKTE GARANTIE

GA NAAR ONZE WEBSITE VOOR REGISTRATIE VAN DE GARANTIE EN DE VOLLEDIGE ALGEMENE VOORWAARDEN.

Voor klanten in de Verenigde Staten en Mexico: www.chauvetlighting.com/warranty-registration.

Voor klanten in het Verenigd Koninkrijk, Ierland, België, Nederland, Luxemburg, Frankrijk en Duitsland: www.chauvetlighting.eu/warranty-registration.

Chauvet garandeert dat dit product bij normaal gebruik vrij zal blijven van defecten in materiaal en vakmanschap, voor de opgegeven periode en onder voorbehoud van de uitzonderingen en beperkingen die zijn uiteengezet in de volledige beperkte garantie op onze website. Deze garantie geldt uitsluitend voor de oorspronkelijke koper van het product en is niet overdraagbaar. Om onder deze garantie rechten uit te oefenen, moet u een aankoopbewijs overleggen in de vorm van een origineel verkoopbewijs van een geautoriseerde dealer, waarop de naam van het product en de aankoopdatum zichtbaar zijn. ER ZIJN GEEN ANDERE EXPLICIETE OF IMPLICIETE GARANTIES. Deze garantie geeft u specifieke wettelijke rechten. Mogelijk heeft u ook andere rechten die van staat tot staat en van land tot land verschillen. Deze garantie is uitsluitend geldig in de Verenigde Staten, het Verenigd Koninkrijk, Ierland, België, Nederland, Luxemburg, Frankrijk, Duitsland en Mexico. Neem contact op met uw lokale verkoper voor garantievoorwaarden in andere landen.

Veiligheidsinstructies

- Open het product NIET. Het bevat geen te onderhouden onderdelen.
- Om onnodige slijtage te elimineren en zijn levensduur te verlengen, gedurende perioden wanneer het product niet wordt gebruikt, moet u het product van de stroom afsluiten door een aardlekschakelaar om te zetten of door het te ontkoppelen.
- KIJK NIET in de lichtbron wanneer het apparaat is ingeschakeld.
- LET OP: De behuizing van dit product kan heet zijn wanneer het in bedrijf is.
- Monteer dit product op een plek met voldoende ventilatie, ten minste 50 cm van de aangrenzende oppervlakken.
- Plaats geen ontvlambaar materiaal binnen 50 cm van dit product als het in gebruik is of is aangesloten op het stopcontact.
- LET OP: Bij het verplaatsen van het product uit extreme omgevingen, (bijv. koude vrachtwagen naar warme, vochtige balzaal) kan er condensvorming optreden op de elektronica van het product. Om storingen te vermijden moet het product volledig kunnen acclimatiseren aan de omgeving voordat het op stroom wordt aangesloten.
- Niet voor permanente buiteninstallatie in locaties met extreme weersomstandigheden. Dit is met inbegrip van, maar niet beperkt tot:
 - Blootstelling aan een marien/zout milieu (binnen 5 km van zout water).
 - Waar de gebruikelijke hoge of lage temperaturen van de locatie de temperatuurbereiken in deze handleiding overschrijden.
 - Locaties die kunnen overstromen of onder sneeuw begraven kunnen worden.
 - Andere gebieden waar het product blootstaat aan extreme straling of bijtende substanties.
- GEBRUIK een veiligheidskabel bij het boven het hoofd plaatsen van dit product.
- Dit product NIET onderdompelen (IP65). Regelmatig gebruik buitenshuis is prima.
- Gebruik dit product NIET als de behuizing, lenzen of kabels beschadigd lijken.
- Sluit dit product NIET aan op een dimmer of een regelweerstand.
- Sluit dit product UITSLUITEND op een geaard en beveiligd stroomcircuit.
- Gebruik UITSLUITEND de ophang-/montagebeugel om dit product te dragen.
- Stop in het geval van ernstige operationele problemen onmiddellijk met het gebruik.
- De maximale omgevingstemperatuur bedraagt 45 °C. Gebruik dit product niet bij hogere temperaturen.
- De minimale opstarttemperatuur is -20° C. Start het product niet op bij lagere temperaturen.
- De minimale omgevingstemperatuur is -30 °C. Gebruik het product niet bij lagere temperaturen.

FCC-naleving

Dit apparaat voldoet aan Part 15 Part B van de FCC-regels. Het gebruik is onderworpen aan de volgende twee voorwaarden:

1. Dit apparaat mag geen schadelijke interferentie veroorzaken, en
2. Dit apparaat moet enige ontvangende interferentie accepteren, inclusief interferentie die een ongewenste werking kan veroorzaken.

Eventuele wijzigingen of aanpassingen die niet uitdrukkelijk door de voor naleving verantwoordelijke partij zijn goedgekeurd, kan de bevoegdheid van de gebruiker om de apparatuur te bedienen ongeldig verklaren.

Contact

Van buiten de VS, Verenigd Koninkrijk, Ierland, Benelux, Frankrijk, Duitsland of Mexico kunt u contact opnemen met de distributeur of om ondersteuning vragen dan wel het product retourneren. Raadpleeg [Contact Us](#) aan het einde van deze BH voor contactinformatie.

Wat is inbegrepen

- COLORado Batten Q15
- Seetronic Powerkon IP65 stroomsnoer
- 2 Omegabeugels
- Onderplaat
- 2 borgpennen
- Verblindings scherm
- Filter
- Beknopte handleiding

AC-stroom

Dit product heeft een voeding met automatisch bereik die werkt met een ingangsspanning van 100–240 VAC, 50/60 Hz.

Power Linking

U kunt tot 7 COLORado Batten Q15-producten koppelen bij 120 V, 13 COLORado Batten Q15-producten koppelen bij 208 V, of 14 producten bij 230 V. Dit aantal niet overschrijden. Power Linking-snoeren kunnen apart aangeschaft worden.

AC-stekker

Aansluiting	Snoer (VS)	Snoer (Europa)	Schroefkleur
AC Live	Zwart	Bruin	Geel/messing
AC Neutraal	Wit	Blauw	Zilver
AC Aarde	Groen/geel	Groen/geel	Groen



- Om onnodige slijtage te elimineren en zijn levensduur te verlengen, gedurende perioden wanneer het product niet wordt gebruikt, moet u het product van de stroom afsluiten door een aardlekschakelaar om te zetten of door het te ontkoppelen.
- Wanneer dit product buiten wordt gebruikt moeten stroom- en gegevenskabels met een IP65-certificering (of hoger) worden gebruikt. Zorg ervoor dat ongebruikte stroom- en gegevenspoorten worden afgesloten met de aangehechte IP65-afdekkingen.

DMX-koppeling

De COLORado Batten Q15 kan met een DMX-controller werken met een 5-pins DMX seriële verbinding. Op www.chauvetprofessional.com is een DMX basishandleiding verkrijgbaar.

DMX-aansluiting

De COLORado Batten Q15 gebruikt een 5-pins DMX-gegevensverbinding voor haar 9 bedieningspersoonlijkheden in een bereik van 4-kanaals tot 76-kanaals in 1-cel modi en 15-cel modi:

Modus	Pixel	Simple	Basic	Advanced	HSIC
1-cel	N/A	4	8	10	6
15-cel	45	60	64	66	76

Master/slave-verbinding

De COLORado Batten Q15 maakt gebruik van de DMX-dataverbinding voor haar Master-/Slave-modus. Zie de gebruikershandleiding om te verbinden en te configureren voor Master/Slave-werking.

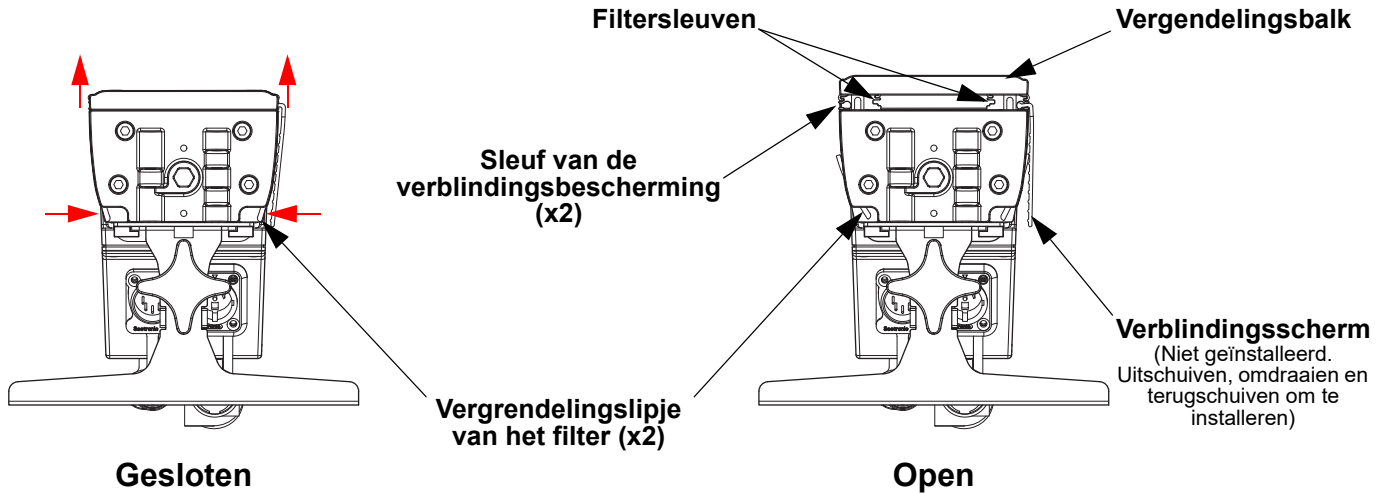
RDM (apparaatbeheer op afstand)

Remote Device Management of RDM (apparaatbeheer op afstand) is een standaard die het voor DMX-apparaten mogelijk maakt om in twee richtingen te communiceren over bestaande DMX-kabels. De COLORado Batten Q15 ondersteunt het RDM-protocol dat zorgt feedback toelaat bij de bewaking van wijzigingen aan de menu map-opties van. Download de gebruikershandleiding op www.chauvetprofessional.com voor meer informatie.

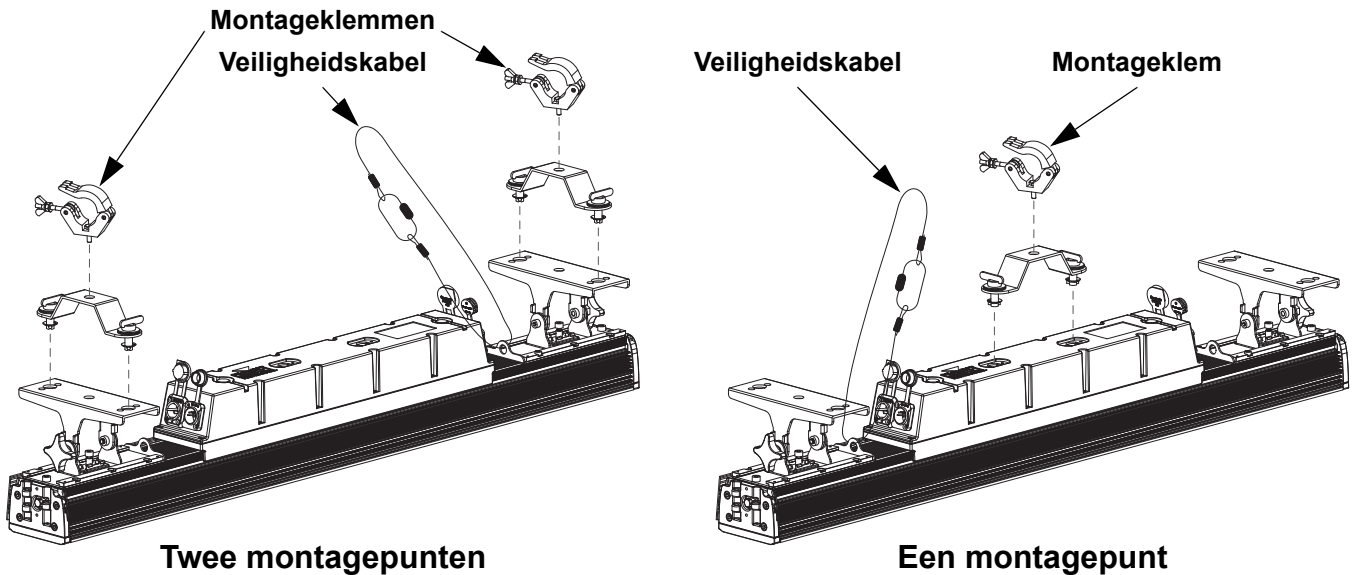
Filterinstallatie

De COLORado Batten Q15 bevat een filter en een verblindingsbescherming. Volg de onderstaande procedure om het filter of de verblindingsbescherming te plaatsen of verwijderen.

1. Zoek het uiteinde van het product op de zijde met de stroom- en DMX-invoerpoorten.
2. Knijp de vergrendelingslipjes van het filter bij elkaar. De vergrendelingsbalk komt omhoog.
3. Schuif het filter en/of de verblindingsbescherming naar binnen of naar buiten.
4. Druk op de vergrendelingsbalk omlaag totdat deze vastklikt.


Montage

Lees alvorens dit product te monteren alle [Veiligheidsinstructies](#). Controleer of de montageklem het gewicht van het product kan dragen. Ga voor onze Chauvet-serie montageklemmen naar <http://trusst.com/productcategory/truss-clamps/>.

Montagediagram van het product


Onderplaat

Elke COLORado Batten Q15 wordt geleverd met een onderplaat en 2 borgpennen, die gebruikt kunnen worden voor plaatsing op de vloer of om verticaal te hangen.

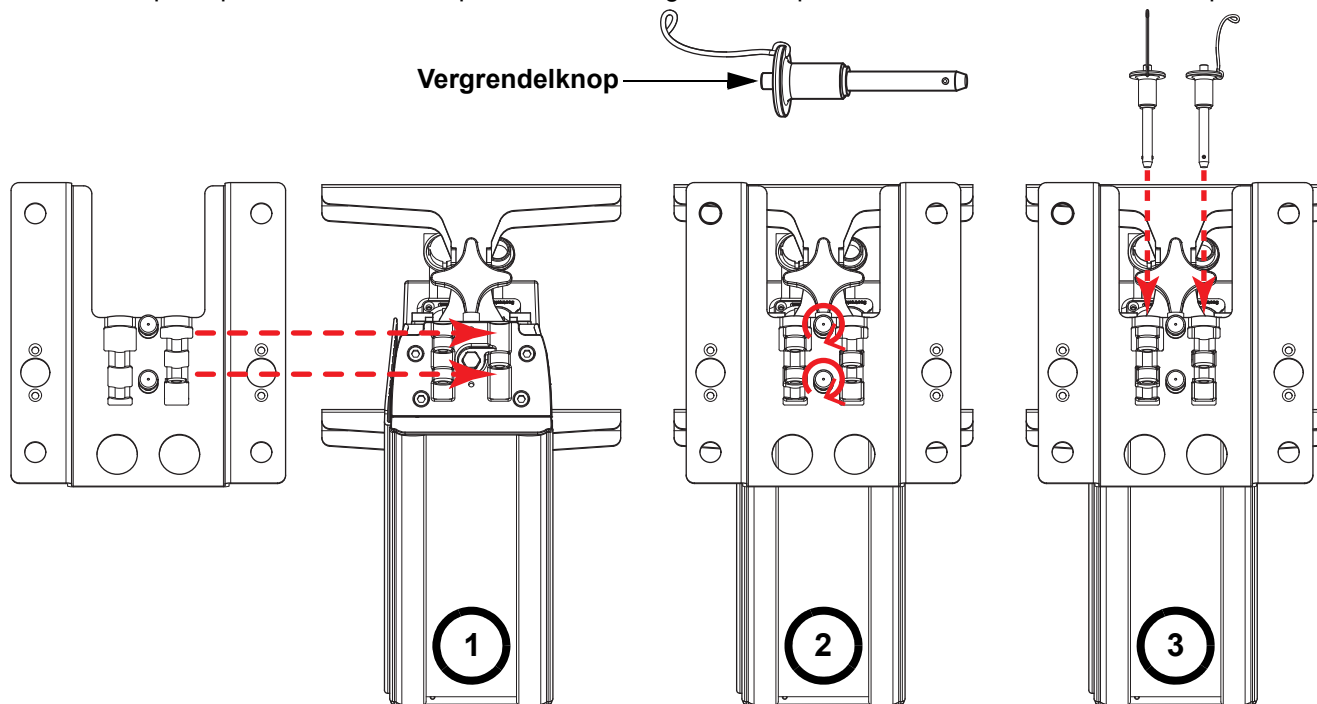


De borgpennen hebben elk een veiligheidskabel voor extra veiligheid.

De onderplaat bevestigen

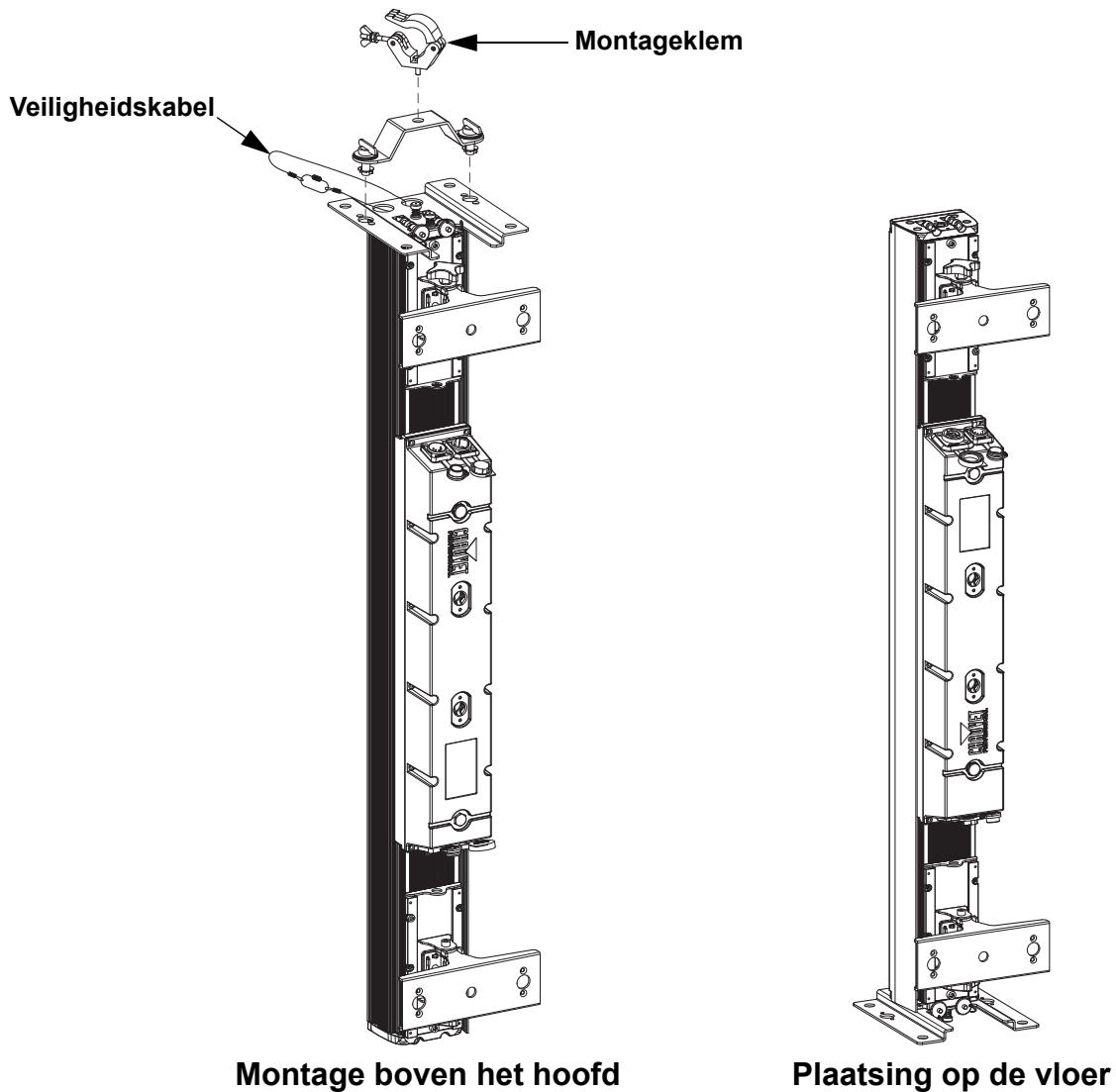
Het bevestigen van de onderplaat aan elk uiteinde van de COLORado Batten Q15:

1. Lijn de basisplaat uit zodat de lussen aan het uiteinde van het product en de lussen op de onderplaat zijn uitgelijnd en in elkaar passen.
2. Draai de borgschroeven op de onderplaat aan.
3. Houd de vergrendelknop op de eerste tegen de eerste borgpen aangedrukt en schuif het door één van de sets lussen op het product en de onderplaat. Laat de vergrendelknop los en herhaal dit met de andere pen.



Montagediagram (met Base Plate)

Lees alvorens dit product te monteren alle [Veiligheidsinstructies](#). Controleer of de montageklem het gewicht van het product kan dragen. Ga voor onze Chauvet-serie montageklemmen naar <http://trusst.com/productcategory/truss-clamps/>.



Montage boven het hoofd

Plaatsing op de vloer



Om dit product op de juiste manier op de vloer te monteren, moet de onderplaat op een stabiel oppervlak, zoals de podiumvloer, of een grote onderplaat, vastgeschroefd worden.

Bevestigingsinstructies in serie

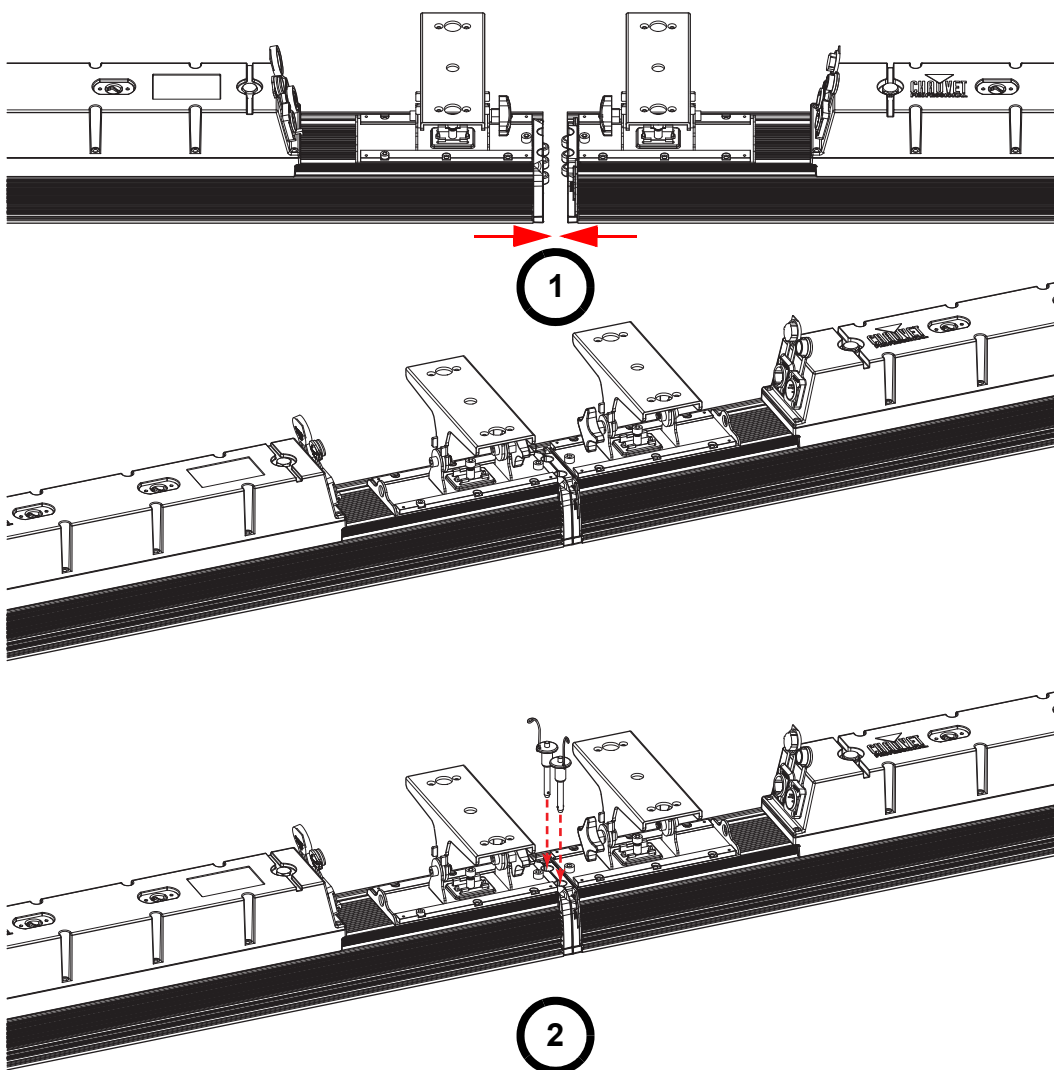
2 COLORado Batten Q15-producten kunnen met de meegeleverde borgpennen aan elkaar bevestigd worden om ze beide vanaf één montagepunt te monteren. Sluit niet meer dan 2 COLORado Batten Q15 -producten op een rij aan wanneer ze verticaal hangen.



De borgpennen hebben elk een veiligheidskabel voor extra veiligheid.

Het bevestigen van 2 producten in serie:

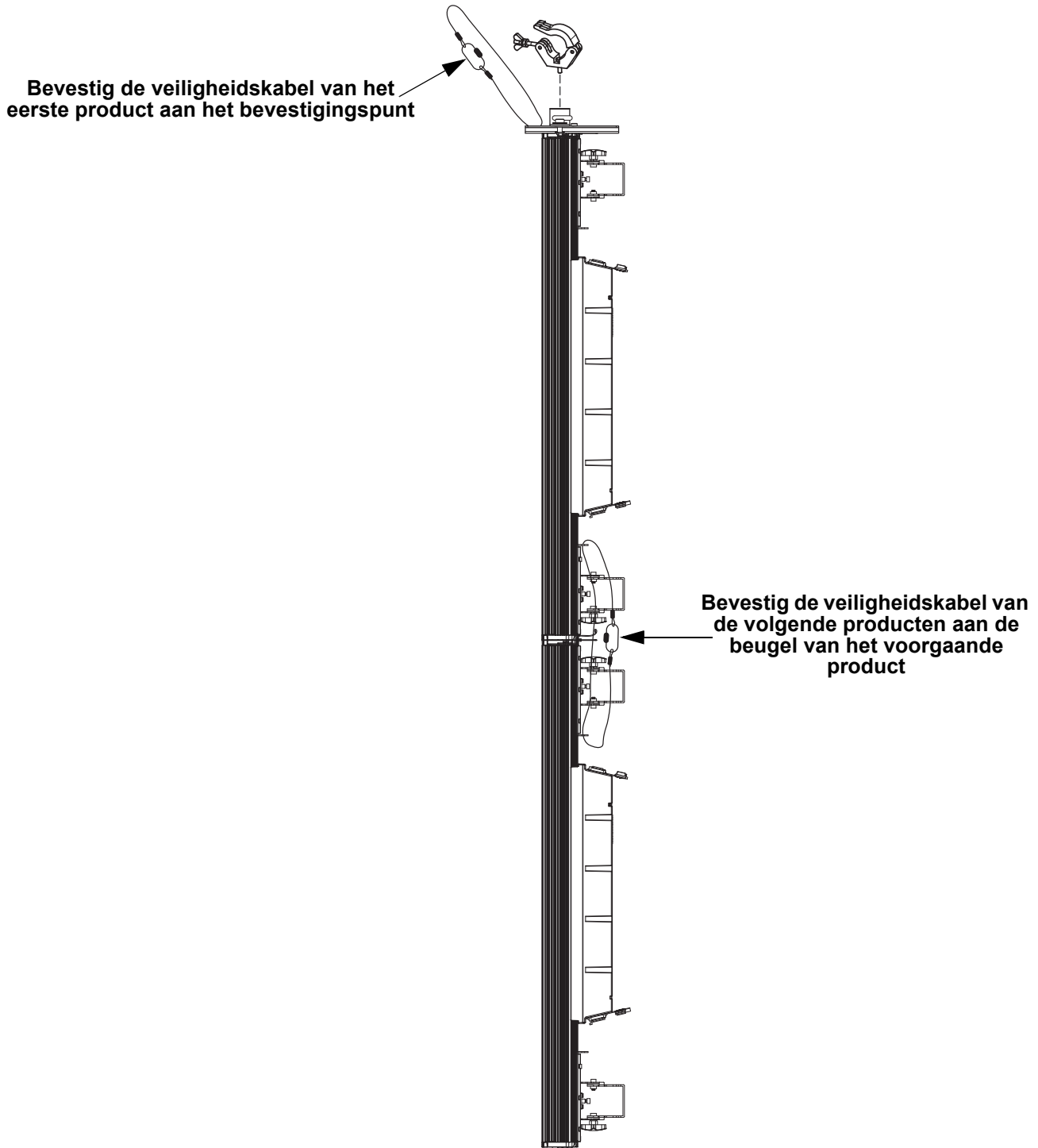
1. Lijn ze uit met de uiteinden naar elkaar zodat de lussen op elk uiteinde van het product op één lijn liggen.
2. Houd de vergrendelknop op de eerste tegen de eerste borgpen aangedrukt en schuif het door één van de sets lussen op beide producten. Laat de vergrendelknop los en herhaal dit met de andere pen.



Installeer de veiligheidskabel als laatst wanneer u COLORado Batten Q15-producten in serie installeert.

Montage van producten die in serie bevestigd zijn

1. Bevestig de onderplaat aan het eerste product in de serie. (Zie [De onderplaat bevestigen](#))
2. Bevestig een omega-beugel aan de onderplaat, en een klem aan de omega-beugel.
3. Bevestig de klem aan de gewenste constructie of oppervlak.
4. Bevestig een veiligheidskabel aan het veiligheids oogje van het product.



Bevestig nooit meer dan 2 producten aan elkaar wanneer ze verticaal hangen aan één bevestigingspunt.

Beschrijving bedieningspaneel

Toets	Functie
<MENU>	Sluit het huidige menu of functie af
<ENTER>	Activeert het huidige getoonde menu of plaatst de huidige geselecteerde waarde in de geselecteerde functie
<UP>	Navigeert omhoog via het menu of verhoogt de numerieke waarde wanneer in een functie
<DOWN>	Navigeert omlaag via het menu of verlaagt de numerieke waarde wanneer in een functie

Toegangscode

Vul na dat gevraagd te worden de volgende toegangscode in door te drukken op: <UP>, <DOWN>, <UP>, <DOWN>, <ENTER>. Dit toegangscode kan niet gewijzigd worden en moet indien gevraagd ingevuld worden.

Kleuren macrodiagram

DMX-kanaalwaarde	Rode waarde	Groene waarde	Blauwe waarde	Gele waarde	Wit waarde
000 ⇔ 010	Geen functie	Geen functie	Geen functie	Geen functie	Geen functie
011 ⇔ 034	100%	0–100%	0%	0%	0%
035 ⇔ 059	100–0%	100%	0%	0%	0%
060 ⇔ 084	0%	100%	0–100%	0%	0%
085 ⇔ 109	0%	100–0%	100%	0%	0%
110 ⇔ 134	0–100%	0%	100%	0%	0%
135 ⇔ 159	100%	0%	100–0%	0%	0%
160 ⇔ 184	100%	0–100%	0–100%	0%	0%
185 ⇔ 209	100–0%	100–0%	100%	0%	0%
210 ⇔ 255	100%	100%	100%	100%	100%

Kleurtemperatuur-kaart

DMX-kanaalwaarde	Kleurtemperatuur
000 ⇔ 010	Geen functie
011 ⇔ 028	1800K
029 ⇔ 046	2200K
047 ⇔ 064	2700K
065 ⇔ 082	3000K
083 ⇔ 100	3200K
101 ⇔ 118	3500K
119 ⇔ 136	4000K
137 ⇔ 154	4200K
155 ⇔ 172	4500K
173 ⇔ 190	5600K
191 ⇔ 208	6000K
209 ⇔ 226	6500K
227 ⇔ 244	7200K
245 ⇔ 255	8000K



De bovenstaande kleurtemperaturen zijn gesimuleerde weergaven van de geproduceerde kleuropbrengst, in vergelijking met een wolfram-lamp bij de opgegeven kleurtemperatuur. Chauvet geeft geen garantie over de nauwkeurigheid van de kleuropbrengst.

Menumap

 Raadpleeg de productpagina van COLORado Batten Q15 op www.chauvetprofessional.com voor de nieuwste menukaart

Hoofdniveau	Programmeerniveaus			Beschrijving	
Start Address	1–509*			Selecteert het start-adres (hoogste kanaal beperkt tot de gekozen persoonlijkheid)	
Personality	1 Simple			4-kanaals: RGBW	
	1 Basic			8-kanaals: 16-bits dimmer, RGBW, kleur macro, stroboscoop	
	1 Advanced			10-kanaals: 16-bits dimmer, RGBW, kleur macro, kleurtemperatuur, stroboscoop, dimmer snelheid	
	1 HSIC			6-kanaals: dimmer, 16-bits tint, verzadiging, stroboscoop, dimmer snelheid	
	15 Pixel			45-kanaals (15-cel): RGB (per cel)	
	15 Simple			60-kanaals (15-cel): RGBW (per cel)	
	15 Basic			64-kanaals (15-cel): 16-bits dimmer, RGBW (per cel), kleur macro, stroboscoop	
	15 Advanced			66-kanaals (15-cel): 16-bits dimmer, RGBW (per cel), kleur macro, kleurtemperatuur, stroboscoop, dimmer snelheid	
15 HSIC			76-kanaals (15-cel): dimmer (per cel), 16-bits tint (per cel), verzadiging (per cel), stroboscoop (per cel), dimmer snelheid		
Output Setting	Power Mode			Voorkom dat de maximale temperatuur overschreden wordt door de intensiteit aan te passen	
	Steady Mode			Gebruikt een lager intensiteit bij een constante niveau, om de maximale temperatuur niet te overschrijden	
Static Colors	Preset Colors	Color 1–14	0–100%	Vooraf ingestelde statische kleuren	
	CCT Temper	White 1–14		Vooraf ingestelde kleurtemperaturen	
	RGBW	Red	0–255	Combineert rood, groen, blauw en wit om een aangepaste kleur te genereren	
		Green			
Blue					
White					
Auto Programs	Run	AUTO.1–10		SPEED 0–100%	Selecteert automatische programma's en automatische programmasnelheid
		Program 1–10			
	Edit	Program 1–10	Scene-01–30	Red 0–255	Selecteert en bewerkt een instelbare programma
				Green 0–255	
				Blue 0–255	
White 0–255					
Master/Slave	Master			DMX-modus (Master)	
	Slave			Slave-modus	
Dimmer Mode	OFF			Lineaire dimmer	
	DIM1–4			Dimprofielen van DIM1 (snel) tot DIM4 (langzaam)	
LED Frequency	1200Hz			Selecteert de PWM-uitgangsfrequentie	
	2000Hz				
	2400Hz				
	4000Hz				
	6000Hz				
	25000Hz				

Hoofdniveau	Programmeerniveaus		Beschrijving		
Cell Order	1 - 15(Left to Right)		Stelt de volgorde van de cellen in		
	15 - 1(Right to Left)				
Settings	**** (Enter Passcode)	DMX Error/ Loss	Hold Last Blackout	Gaat verder met de laatste opdracht na verlies van DMX-regeling Verduistert de product na verlies van DMX	
		Disp TimeOut	On	10s	De backlight van de display is altijd aan Schakelt de backlight van de display uit na 10s van inactiviteit
	20s		30s	Schakelt de backlight van de display uit na 20s van inactiviteit Schakelt de backlight van de display uit na 30s van inactiviteit	
	On		Off	Vergrendelt het display (toegangscode is <UP>, <DOWN>, <UP>, <DOWN>, <ENTER>)	
	Disp Passcode				
	Information	Fixture Hours		--- Hours	Toont het totale aantal producturen
		Firmware Version		V_._	Toont de geïnstalleerde softwareversie
RDM		UID	-----	Geeft de huidige UID	
	Label	Batten Q15	Toont de productnaam voor RDM		
Factory Reset	No	**** (Enter Passcode)	Herstellen naar de fabrieksstandaard		
	Yes				

15-Cel DMX-waarden
15 HSIC (76 kanalen)

Kanaal	Functie	Waarde	Percentage/Instelling
1	Dimmer 1	000 ⇔ 255	0–100%
2	Tint 1	000 ⇔ 255	0–100%
3	Fijne tint 1	000 ⇔ 255	0–100%
4	Verzadiging 1	000 ⇔ 255	0–100%
5	Stroboscoop 1	000 ⇔ 009	Geen functie
		010 ⇔ 099	Stroboscoop, langzaam naar snel
		100 ⇔ 109	Geen functie
		110 ⇔ 179	Bliksemeffect, langzaam naar snel
		180 ⇔ 189	Geen functie
		190 ⇔ 255	Willekeurige stroboscoop, langzaam naar snel
6	Dimmer 2	000 ⇔ 255	0–100%
7	Tint 2	000 ⇔ 255	0–100%
8	Fijne tint 2	000 ⇔ 255	0–100%
9	Verzadiging 2	000 ⇔ 255	0–100%
10	Stroboscoop 2	000 ⇔ 009	Geen functie
		010 ⇔ 099	Stroboscoop, langzaam naar snel
		100 ⇔ 109	Geen functie
		110 ⇔ 179	Bliksemeffect, langzaam naar snel
		180 ⇔ 189	Geen functie
		190 ⇔ 255	Willekeurige stroboscoop, langzaam naar snel
11	Dimmer 3	000 ⇔ 255	0–100%
12	Tint 3	000 ⇔ 255	0–100%
13	Fijne tint 3	000 ⇔ 255	0–100%
14	Verzadiging 3	000 ⇔ 255	0–100%
15	Stroboscoop 3	000 ⇔ 009	Geen functie
		010 ⇔ 099	Stroboscoop, langzaam naar snel
		100 ⇔ 109	Geen functie
		110 ⇔ 179	Bliksemeffect, langzaam naar snel
		180 ⇔ 189	Geen functie
		190 ⇔ 255	Willekeurige stroboscoop, langzaam naar snel
16	Dimmer 4	000 ⇔ 255	0–100%
17	Tint 4	000 ⇔ 255	0–100%
18	Fijne tint 4	000 ⇔ 255	0–100%
19	Verzadiging 4	000 ⇔ 255	0–100%
20	Stroboscoop 4	000 ⇔ 009	Geen functie
		010 ⇔ 099	Stroboscoop, langzaam naar snel
		100 ⇔ 109	Geen functie
		110 ⇔ 179	Bliksemeffect, langzaam naar snel
		180 ⇔ 189	Geen functie
		190 ⇔ 255	Willekeurige stroboscoop, langzaam naar snel
21	Dimmer 5	000 ⇔ 255	0–100%
22	Tint 5	000 ⇔ 255	0–100%
23	Fijne tint 5	000 ⇔ 255	0–100%
24	Verzadiging 5	000 ⇔ 255	0–100%
25	Stroboscoop 5	000 ⇔ 009	Geen functie
		010 ⇔ 099	Stroboscoop, langzaam naar snel
		100 ⇔ 109	Geen functie
		110 ⇔ 179	Bliksemeffect, langzaam naar snel
		180 ⇔ 189	Geen functie
		190 ⇔ 255	Willekeurige stroboscoop, langzaam naar snel
26	Dimmer 6	000 ⇔ 255	0–100%
27	Tint 6	000 ⇔ 255	0–100%
28	Fijne tint 6	000 ⇔ 255	0–100%
29	Verzadiging 6	000 ⇔ 255	0–100%

Kanaal	Functie	Waarde	Percentage/Instelling
30	Stroboscoop 6	000 ⇔ 009	Geen functie
		010 ⇔ 099	Stroboscoop, langzaam naar snel
		100 ⇔ 109	Geen functie
		110 ⇔ 179	Bliksemffect, langzaam naar snel
		180 ⇔ 189	Geen functie
		190 ⇔ 255	Willekeurige stroboscoop, langzaam naar snel
31	Dimmer 7	000 ⇔ 255	0-100%
32	Tint 7	000 ⇔ 255	0-100%
33	Fijne tint 7	000 ⇔ 255	0-100%
34	Verzadiging 7	000 ⇔ 255	0-100%
35	Stroboscoop 7	000 ⇔ 009	Geen functie
		010 ⇔ 099	Stroboscoop, langzaam naar snel
		100 ⇔ 109	Geen functie
		110 ⇔ 179	Bliksemffect, langzaam naar snel
		180 ⇔ 189	Geen functie
		190 ⇔ 255	Willekeurige stroboscoop, langzaam naar snel
36	Dimmer 8	000 ⇔ 255	0-100%
37	Tint 8	000 ⇔ 255	0-100%
38	Fijne tint 8	000 ⇔ 255	0-100%
39	Verzadiging 8	000 ⇔ 255	0-100%
40	Stroboscoop 8	000 ⇔ 009	Geen functie
		010 ⇔ 099	Stroboscoop, langzaam naar snel
		100 ⇔ 109	Geen functie
		110 ⇔ 179	Bliksemffect, langzaam naar snel
		180 ⇔ 189	Geen functie
		190 ⇔ 255	Willekeurige stroboscoop, langzaam naar snel
41	Dimmer 9	000 ⇔ 255	0-100%
42	Tint 9	000 ⇔ 255	0-100%
43	Fijne tint 9	000 ⇔ 255	0-100%
44	Verzadiging 9	000 ⇔ 255	0-100%
45	Stroboscoop 9	000 ⇔ 009	Geen functie
		010 ⇔ 099	Stroboscoop, langzaam naar snel
		100 ⇔ 109	Geen functie
		110 ⇔ 179	Bliksemffect, langzaam naar snel
		180 ⇔ 189	Geen functie
		190 ⇔ 255	Willekeurige stroboscoop, langzaam naar snel
46	Dimmer 10	000 ⇔ 255	0-100%
47	Tint 10	000 ⇔ 255	0-100%
48	Fijne tint 10	000 ⇔ 255	0-100%
49	Verzadiging 10	000 ⇔ 255	0-100%
50	Stroboscoop 10	000 ⇔ 009	Geen functie
		010 ⇔ 099	Stroboscoop, langzaam naar snel
		100 ⇔ 109	Geen functie
		110 ⇔ 179	Bliksemffect, langzaam naar snel
		180 ⇔ 189	Geen functie
		190 ⇔ 255	Willekeurige stroboscoop, langzaam naar snel
51	Dimmer 11	000 ⇔ 255	0-100%
52	Tint 11	000 ⇔ 255	0-100%
53	Fijne tint 11	000 ⇔ 255	0-100%
54	Verzadiging 11	000 ⇔ 255	0-100%
55	Stroboscoop 11	000 ⇔ 009	Geen functie
		010 ⇔ 099	Stroboscoop, langzaam naar snel
		100 ⇔ 109	Geen functie
		110 ⇔ 179	Bliksemffect, langzaam naar snel
		180 ⇔ 189	Geen functie
		190 ⇔ 255	Willekeurige stroboscoop, langzaam naar snel

Kanaal	Functie	Waarde	Percentage/Instelling
56	Dimmer 12	000 ⇄ 255	0–100%
57	Tint 12	000 ⇄ 255	0–100%
58	Fijne tint 12	000 ⇄ 255	0–100%
59	Verzadiging 12	000 ⇄ 255	0–100%
60	Stroboscoop 12	000 ⇄ 009	Geen functie
		010 ⇄ 099	Stroboscoop, langzaam naar snel
		100 ⇄ 109	Geen functie
		110 ⇄ 179	Bliksemeffect, langzaam naar snel
		180 ⇄ 189	Geen functie
		190 ⇄ 255	Willekeurige stroboscoop, langzaam naar snel
61	Dimmer 13	000 ⇄ 255	0–100%
62	Tint 13	000 ⇄ 255	0–100%
63	Fijne tint 13	000 ⇄ 255	0–100%
64	Verzadiging 13	000 ⇄ 255	0–100%
65	Stroboscoop 13	000 ⇄ 009	Geen functie
		010 ⇄ 099	Stroboscoop, langzaam naar snel
		100 ⇄ 109	Geen functie
		110 ⇄ 179	Bliksemeffect, langzaam naar snel
		180 ⇄ 189	Geen functie
		190 ⇄ 255	Willekeurige stroboscoop, langzaam naar snel
66	Dimmer 14	000 ⇄ 255	0–100%
67	Tint 14	000 ⇄ 255	0–100%
68	Fijne tint 14	000 ⇄ 255	0–100%
69	Verzadiging 14	000 ⇄ 255	0–100%
70	Stroboscoop 14	000 ⇄ 009	Geen functie
		010 ⇄ 099	Stroboscoop, langzaam naar snel
		100 ⇄ 109	Geen functie
		110 ⇄ 179	Bliksemeffect, langzaam naar snel
		180 ⇄ 189	Geen functie
		190 ⇄ 255	Willekeurige stroboscoop, langzaam naar snel
71	Dimmer 15	000 ⇄ 255	0–100%
72	Tint 15	000 ⇄ 255	0–100%
73	Fijne tint 15	000 ⇄ 255	0–100%
74	Verzadiging 15	000 ⇄ 255	0–100%
75	Stroboscoop 15	000 ⇄ 009	Geen functie
		010 ⇄ 099	Stroboscoop, langzaam naar snel
		100 ⇄ 109	Geen functie
		110 ⇄ 179	Bliksemeffect, langzaam naar snel
		180 ⇄ 189	Geen functie
		190 ⇄ 255	Willekeurige stroboscoop, langzaam naar snel
76	Dimmersnelheid	000 ⇄ 009	Voorinstelling van de dimmersnelheid vanaf het displaymenu
		010 ⇄ 029	Dimmer snelheidsmodus uit
		030 ⇄ 069	Dimmer snelheidsmodus 1 (snel)
		070 ⇄ 129	Dimmer snelheidsmodus 2
		130 ⇄ 189	Dimmer snelheidsmodus 3
		190 ⇄ 255	Dimmer snelheidsmodus 4 (langzaam)

15 “Advanced” (66 kanalen)

Kanaal	Functie	Waarde	Percentage/Instelling
1	Dimmer	000 ⇔ 255	0-100%
2	Fijne dimmer	000 ⇔ 255	0-100%
3	Rood 1	000 ⇔ 255	0-100%
4	Groen 1	000 ⇔ 255	0-100%
5	Blauw 1	000 ⇔ 255	0-100%
6	Wit 1	000 ⇔ 255	0-100%
7	Rood 2	000 ⇔ 255	0-100%
8	Groen 2	000 ⇔ 255	0-100%
9	Blauw 2	000 ⇔ 255	0-100%
10	Wit 2	000 ⇔ 255	0-100%
11	Rood 3	000 ⇔ 255	0-100%
12	Groen 3	000 ⇔ 255	0-100%
13	Blauw 3	000 ⇔ 255	0-100%
14	Wit 3	000 ⇔ 255	0-100%
15	Rood 4	000 ⇔ 255	0-100%
16	Groen 4	000 ⇔ 255	0-100%
17	Blauw 4	000 ⇔ 255	0-100%
18	Wit 4	000 ⇔ 255	0-100%
19	Rood 5	000 ⇔ 255	0-100%
20	Groen 5	000 ⇔ 255	0-100%
21	Blauw 5	000 ⇔ 255	0-100%
22	Wit 5	000 ⇔ 255	0-100%
23	Rood 6	000 ⇔ 255	0-100%
24	Groen 6	000 ⇔ 255	0-100%
25	Blauw 6	000 ⇔ 255	0-100%
26	Wit 6	000 ⇔ 255	0-100%
27	Rood 7	000 ⇔ 255	0-100%
28	Groen 7	000 ⇔ 255	0-100%
29	Blauw 7	000 ⇔ 255	0-100%
30	Wit 7	000 ⇔ 255	0-100%
31	Rood 8	000 ⇔ 255	0-100%
32	Groen 8	000 ⇔ 255	0-100%
33	Blauw 8	000 ⇔ 255	0-100%
34	Wit 8	000 ⇔ 255	0-100%
35	Rood 9	000 ⇔ 255	0-100%
36	Groen 9	000 ⇔ 255	0-100%
37	Blauw 9	000 ⇔ 255	0-100%
38	Wit 9	000 ⇔ 255	0-100%
39	Rood 10	000 ⇔ 255	0-100%
40	Groen 10	000 ⇔ 255	0-100%
41	Blauw 10	000 ⇔ 255	0-100%
42	Wit 10	000 ⇔ 255	0-100%
43	Rood 11	000 ⇔ 255	0-100%
44	Groen 11	000 ⇔ 255	0-100%
45	Blauw 11	000 ⇔ 255	0-100%
46	Wit 11	000 ⇔ 255	0-100%
47	Rood 12	000 ⇔ 255	0-100%
48	Groen 12	000 ⇔ 255	0-100%
49	Blauw 12	000 ⇔ 255	0-100%
50	Wit 12	000 ⇔ 255	0-100%
51	Rood 13	000 ⇔ 255	0-100%
52	Groen 13	000 ⇔ 255	0-100%
53	Blauw 13	000 ⇔ 255	0-100%
54	Wit 13	000 ⇔ 255	0-100%
55	Rood 14	000 ⇔ 255	0-100%
56	Groen 14	000 ⇔ 255	0-100%
57	Blauw 14	000 ⇔ 255	0-100%
58	Wit 14	000 ⇔ 255	0-100%
59	Rood 15	000 ⇔ 255	0-100%
60	Groen 15	000 ⇔ 255	0-100%
61	Blauw 15	000 ⇔ 255	0-100%

Kanaal	Functie	Waarde	Percentage/Instelling
62	Wit 15	000 ⇄ 255	0–100%
63	Kleur macro's	000 ⇄ 255	Zie Kleuren macrodiagram
64	Kleurtemperaturen	000 ⇄ 255	Zie Kleurtemperatuur-kaart
65	Stroboscoop	000 ⇄ 009	Geen functie
		010 ⇄ 099	Stroboscoop, langzaam naar snel
		100 ⇄ 109	Geen functie
		110 ⇄ 179	Bliksemeffect, langzaam naar snel
		180 ⇄ 189	Geen functie
		190 ⇄ 255	Willekeurige stroboscoop, langzaam naar snel
66	Dimmersnelheid	000 ⇄ 009	Voorinstelling van de dimmersnelheid vanaf het displaymenu
		010 ⇄ 029	Dimmer snelheidsmodus uit
		030 ⇄ 069	Dimmer snelheidsmodus 1 (snel)
		070 ⇄ 129	Dimmer snelheidsmodus 2
		130 ⇄ 189	Dimmer snelheidsmodus 3
		190 ⇄ 255	Dimmer snelheidsmodus 4 (langzaam)

15 “Basic” (64 kanalen)

Kanaal	Functie	Waarde	Percentage/Instelling
1	Dimmer	000 ⇄ 255	0–100%
2	Fijne dimmer	000 ⇄ 255	0–100%
3	Rood 1	000 ⇄ 255	0–100%
4	Groen 1	000 ⇄ 255	0–100%
5	Blauw 1	000 ⇄ 255	0–100%
6	Wit 1	000 ⇄ 255	0–100%
7	Rood 2	000 ⇄ 255	0–100%
8	Groen 2	000 ⇄ 255	0–100%
9	Blauw 2	000 ⇄ 255	0–100%
10	Wit 2	000 ⇄ 255	0–100%
11	Rood 3	000 ⇄ 255	0–100%
12	Groen 3	000 ⇄ 255	0–100%
13	Blauw 3	000 ⇄ 255	0–100%
14	Wit 3	000 ⇄ 255	0–100%
15	Rood 4	000 ⇄ 255	0–100%
16	Groen 4	000 ⇄ 255	0–100%
17	Blauw 4	000 ⇄ 255	0–100%
18	Wit 4	000 ⇄ 255	0–100%
19	Rood 5	000 ⇄ 255	0–100%
20	Groen 5	000 ⇄ 255	0–100%
21	Blauw 5	000 ⇄ 255	0–100%
22	Wit 5	000 ⇄ 255	0–100%
23	Rood 6	000 ⇄ 255	0–100%
24	Groen 6	000 ⇄ 255	0–100%
25	Blauw 6	000 ⇄ 255	0–100%
26	Wit 6	000 ⇄ 255	0–100%
27	Rood 7	000 ⇄ 255	0–100%
28	Groen 7	000 ⇄ 255	0–100%
29	Blauw 7	000 ⇄ 255	0–100%
30	Wit 7	000 ⇄ 255	0–100%
31	Rood 8	000 ⇄ 255	0–100%
32	Groen 8	000 ⇄ 255	0–100%
33	Blauw 8	000 ⇄ 255	0–100%
34	Wit 8	000 ⇄ 255	0–100%
35	Rood 9	000 ⇄ 255	0–100%
36	Groen 9	000 ⇄ 255	0–100%
37	Blauw 9	000 ⇄ 255	0–100%
38	Wit 9	000 ⇄ 255	0–100%

Kanaal	Functie	Waarde	Percentage/Instelling
39	Rood 10	000 ⇔ 255	0–100%
40	Groen 10	000 ⇔ 255	0–100%
41	Blauw 10	000 ⇔ 255	0–100%
42	Wit 10	000 ⇔ 255	0–100%
43	Rood 11	000 ⇔ 255	0–100%
44	Groen 11	000 ⇔ 255	0–100%
45	Blauw 11	000 ⇔ 255	0–100%
46	Wit 11	000 ⇔ 255	0–100%
47	Rood 12	000 ⇔ 255	0–100%
48	Groen 12	000 ⇔ 255	0–100%
49	Blauw 12	000 ⇔ 255	0–100%
50	Wit 12	000 ⇔ 255	0–100%
51	Rood 13	000 ⇔ 255	0–100%
52	Groen 13	000 ⇔ 255	0–100%
53	Blauw 13	000 ⇔ 255	0–100%
54	Wit 13	000 ⇔ 255	0–100%
55	Rood 14	000 ⇔ 255	0–100%
56	Groen 14	000 ⇔ 255	0–100%
57	Blauw 14	000 ⇔ 255	0–100%
58	Wit 14	000 ⇔ 255	0–100%
59	Rood 15	000 ⇔ 255	0–100%
60	Groen 15	000 ⇔ 255	0–100%
61	Blauw 15	000 ⇔ 255	0–100%
62	Wit 15	000 ⇔ 255	0–100%
63	Kleur macro's	000 ⇔ 255	Zie Kleuren macrodiagram
64	Stroboscoop	000 ⇔ 009	Geen functie
		010 ⇔ 099	Stroboscoop, langzaam naar snel
		100 ⇔ 109	Geen functie
		110 ⇔ 179	Bliksem-effect, langzaam naar snel
		180 ⇔ 189	Geen functie
190 ⇔ 255	Willekeurige stroboscoop, langzaam naar snel		

15 "Simple" (60 kanalen)

Kanaal	Functie	Waarde	Percentage/Instelling
1	Rood 1	000 ⇔ 255	0–100%
2	Groen 1	000 ⇔ 255	0–100%
3	Blauw 1	000 ⇔ 255	0–100%
4	Wit 1	000 ⇔ 255	0–100%
5	Rood 2	000 ⇔ 255	0–100%
6	Groen 2	000 ⇔ 255	0–100%
7	Blauw 2	000 ⇔ 255	0–100%
8	Wit 2	000 ⇔ 255	0–100%
9	Rood 3	000 ⇔ 255	0–100%
10	Groen 3	000 ⇔ 255	0–100%
11	Blauw 3	000 ⇔ 255	0–100%
12	Wit 3	000 ⇔ 255	0–100%
13	Rood 4	000 ⇔ 255	0–100%
14	Groen 4	000 ⇔ 255	0–100%
15	Blauw 4	000 ⇔ 255	0–100%
16	Wit 4	000 ⇔ 255	0–100%
17	Rood 5	000 ⇔ 255	0–100%
18	Groen 5	000 ⇔ 255	0–100%
19	Blauw 5	000 ⇔ 255	0–100%
20	Wit 5	000 ⇔ 255	0–100%
21	Rood 6	000 ⇔ 255	0–100%
22	Groen 6	000 ⇔ 255	0–100%
23	Blauw 6	000 ⇔ 255	0–100%
24	Wit 6	000 ⇔ 255	0–100%

Kanaal	Functie	Waarde	Percentage/Instelling
25	Rood 7	000 ⇔ 255	0-100%
26	Groen 7	000 ⇔ 255	0-100%
27	Blauw 7	000 ⇔ 255	0-100%
28	Wit 7	000 ⇔ 255	0-100%
29	Rood 8	000 ⇔ 255	0-100%
30	Groen 8	000 ⇔ 255	0-100%
31	Blauw 8	000 ⇔ 255	0-100%
32	Wit 8	000 ⇔ 255	0-100%
33	Rood 9	000 ⇔ 255	0-100%
34	Groen 9	000 ⇔ 255	0-100%
35	Blauw 9	000 ⇔ 255	0-100%
36	Wit 9	000 ⇔ 255	0-100%
37	Rood 10	000 ⇔ 255	0-100%
38	Groen 10	000 ⇔ 255	0-100%
39	Blauw 10	000 ⇔ 255	0-100%
40	Wit 10	000 ⇔ 255	0-100%
41	Rood 11	000 ⇔ 255	0-100%
42	Groen 11	000 ⇔ 255	0-100%
43	Blauw 11	000 ⇔ 255	0-100%
44	Wit 11	000 ⇔ 255	0-100%
45	Rood 12	000 ⇔ 255	0-100%
46	Groen 12	000 ⇔ 255	0-100%
47	Blauw 12	000 ⇔ 255	0-100%
48	Wit 12	000 ⇔ 255	0-100%
49	Rood 13	000 ⇔ 255	0-100%
50	Groen 13	000 ⇔ 255	0-100%
51	Blauw 13	000 ⇔ 255	0-100%
52	Wit 13	000 ⇔ 255	0-100%
53	Rood 14	000 ⇔ 255	0-100%
54	Groen 14	000 ⇔ 255	0-100%
55	Blauw 14	000 ⇔ 255	0-100%
56	Wit 14	000 ⇔ 255	0-100%
57	Rood 15	000 ⇔ 255	0-100%
58	Groen 15	000 ⇔ 255	0-100%
59	Blauw 15	000 ⇔ 255	0-100%
60	Wit 15	000 ⇔ 255	0-100%

NL

15 Pixel (45 kanalen)

Kanaal	Functie	Waarde	Percentage/Instelling
1	Rood 1	000 ⇔ 255	0-100%
2	Groen 1	000 ⇔ 255	0-100%
3	Blauw 1	000 ⇔ 255	0-100%
4	Rood 2	000 ⇔ 255	0-100%
5	Groen 2	000 ⇔ 255	0-100%
6	Blauw 2	000 ⇔ 255	0-100%
7	Rood 3	000 ⇔ 255	0-100%
8	Groen 3	000 ⇔ 255	0-100%
9	Blauw 3	000 ⇔ 255	0-100%
10	Rood 4	000 ⇔ 255	0-100%
11	Groen 4	000 ⇔ 255	0-100%
12	Blauw 4	000 ⇔ 255	0-100%
13	Rood 5	000 ⇔ 255	0-100%
14	Groen 5	000 ⇔ 255	0-100%
15	Blauw 5	000 ⇔ 255	0-100%
16	Rood 6	000 ⇔ 255	0-100%
17	Groen 6	000 ⇔ 255	0-100%
18	Blauw 6	000 ⇔ 255	0-100%
19	Rood 7	000 ⇔ 255	0-100%
20	Groen 7	000 ⇔ 255	0-100%
21	Blauw 7	000 ⇔ 255	0-100%
22	Rood 8	000 ⇔ 255	0-100%
23	Groen 8	000 ⇔ 255	0-100%
24	Blauw 8	000 ⇔ 255	0-100%
25	Rood 9	000 ⇔ 255	0-100%
26	Groen 9	000 ⇔ 255	0-100%
27	Blauw 9	000 ⇔ 255	0-100%
28	Rood 10	000 ⇔ 255	0-100%
29	Groen 10	000 ⇔ 255	0-100%
30	Blauw 10	000 ⇔ 255	0-100%
31	Rood 11	000 ⇔ 255	0-100%
32	Groen 11	000 ⇔ 255	0-100%
33	Blauw 11	000 ⇔ 255	0-100%
34	Rood 12	000 ⇔ 255	0-100%
35	Groen 12	000 ⇔ 255	0-100%
36	Blauw 12	000 ⇔ 255	0-100%
37	Rood 13	000 ⇔ 255	0-100%
38	Groen 13	000 ⇔ 255	0-100%
39	Blauw 13	000 ⇔ 255	0-100%
40	Rood 14	000 ⇔ 255	0-100%
41	Groen 14	000 ⇔ 255	0-100%
42	Blauw 14	000 ⇔ 255	0-100%
43	Rood 15	000 ⇔ 255	0-100%
44	Groen 15	000 ⇔ 255	0-100%
45	Blauw 15	000 ⇔ 255	0-100%

1-Cel DMX-waarden

1 HSIC (6 kanalen)

Kanaal	Functie	Waarde	Percentage/Instelling
1	Dimmer	000 ⇔ 255	0-100%
2	Tint	000 ⇔ 255	0-100%
3	Fijne tint	000 ⇔ 255	0-100%
4	Verzadiging	000 ⇔ 255	0-100%
5	Stroboscoop	000 ⇔ 009	Geen functie
		010 ⇔ 099	Stroboscoop, langzaam naar snel
		100 ⇔ 109	Geen functie
		110 ⇔ 179	Bliksemeffect, langzaam naar snel
		180 ⇔ 189	Geen functie
		190 ⇔ 255	Willekeurige stroboscoop, langzaam naar snel

Kanaal	Functie	Waarde	Percentage/Instelling
6	Dimmersnelheid	000 ⇔ 009	Voorinstelling van de dimmersnelheid vanaf het displaymenu
		010 ⇔ 029	Dimmer snelheidsmodus uit
		030 ⇔ 069	Dimmer snelheidsmodus 1 (snel)
		070 ⇔ 129	Dimmer snelheidsmodus 2
		130 ⇔ 189	Dimmer snelheidsmodus 3
		190 ⇔ 255	Dimmer snelheidsmodus 4 (langzaam)

1 “Advanced” (10 kanalen)

Kanaal	Functie	Waarde	Percentage/Instelling
1	Dimmer	000 ⇔ 255	0–100%
2	Fijne Dimmer	000 ⇔ 255	0–100%
3	Rood	000 ⇔ 255	0–100%
4	Groen	000 ⇔ 255	0–100%
5	Blauw	000 ⇔ 255	0–100%
6	Wit	000 ⇔ 255	0–100%
7	Kleur macro's	000 ⇔ 255	Zie Kleuren macrodiagram
8	Kleurtemperaturen	000 ⇔ 255	Zie Kleurtemperatuur-kaart
9	Stroboscoop	000 ⇔ 009	Geen functie
		010 ⇔ 099	Stroboscoop, langzaam naar snel
		100 ⇔ 109	Geen functie
		110 ⇔ 179	Bliksem-effect, langzaam naar snel
		180 ⇔ 189	Geen functie
		190 ⇔ 255	Willekeurige stroboscoop, langzaam naar snel
10	Dimmersnelheid	000 ⇔ 009	Voorinstelling van de dimmersnelheid vanaf het displaymenu
		010 ⇔ 029	Dimmer snelheidsmodus uit
		030 ⇔ 069	Dimmer snelheidsmodus 1 (snel)
		070 ⇔ 129	Dimmer snelheidsmodus 2
		130 ⇔ 189	Dimmer snelheidsmodus 3
		190 ⇔ 255	Dimmer snelheidsmodus 4 (langzaam)

1 “Basic” (8 kanalen)

Kanaal	Functie	Waarde	Percentage/Instelling
1	Dimmer	000 ⇔ 255	0–100%
2	Fijne Dimmer	000 ⇔ 255	0–100%
3	Rood	000 ⇔ 255	0–100%
4	Groen	000 ⇔ 255	0–100%
5	Blauw	000 ⇔ 255	0–100%
6	Wit	000 ⇔ 255	0–100%
7	Kleur macro's	000 ⇔ 255	Zie Kleuren macrodiagram
8	Stroboscoop	000 ⇔ 009	Geen functie
		010 ⇔ 099	Stroboscoop, langzaam naar snel
		100 ⇔ 109	Geen functie
		110 ⇔ 179	Bliksem-effect, langzaam naar snel
		180 ⇔ 189	Geen functie
		190 ⇔ 255	Willekeurige stroboscoop, langzaam naar snel

1 “Simple” (4 kanalen)

Kanaal	Functie	Waarde	Percentage/Instelling
1	Rood	000 ⇔ 255	0–100%
2	Groen	000 ⇔ 255	0–100%
3	Blauw	000 ⇔ 255	0–100%
4	Wit	000 ⇔ 255	0–100%

Contact Us

General Information	Technical Support
Chauvet World Headquarters	
Address: 5200 NW 108th Ave. Sunrise, FL 33351 Voice: (954) 577-4455 Fax: (954) 929-5560 Toll Free: (800) 762-1084	Voice: (844) 393-7575 Fax: (954) 756-8015 Email: chauvetcs@chauvetlighting.com Website: www.chauvetprofessional.com
Chauvet Europe Ltd.	
Address: Unit 1C Brookhill Road Industrial Estate Pinxton, Nottingham, UK NG16 6NT Voice: +44 (0) 1773 511115 Fax: +44 (0) 1773 511110	Email: UKtech@chauvetlighting.eu Website: www.chauvetprofessional.eu
Chauvet Europe BVBA	
Address: Stokstraat 18 9770 Kruishoutem Belgium Voice: +32 9 388 93 97	Email: BNLtech@chauvetlighting.eu Website: www.chauvetprofessional.eu
Chauvet France	
Address: 3, Rue Ampère 91380 Chilly-Mazarin France Voice: +33 1 78 85 33 59	Email: FRtech@chauvetlighting.fr Website: www.chauvetprofessional.eu
Chauvet Germany	
Address: Bruno-Bürgel-Str. 11 28759 Bremen Germany Voice: +49 421 62 60 20	Email: DEtech@chauvetlighting.de Website: www.chauvetprofessional.eu
Chauvet Mexico	
Address: Av. de las Partidas 34 - 3B (Entrance by Calle 2) Zona Industrial Lerma Lerma, Edo. de México, CP 52000 Voice: +52 (728) 690-2010	Email: servicio@chauvet.com.mx Website: www.chauvetprofessional.mx

Visit the applicable website above to verify our contact information and instructions to request support. Outside the U.S., United Kingdom, Ireland, Mexico, France, Germany, or Benelux, contact the dealer of record.



UL 1573
CSA C22.2 No. 166
E113093



RoHS

