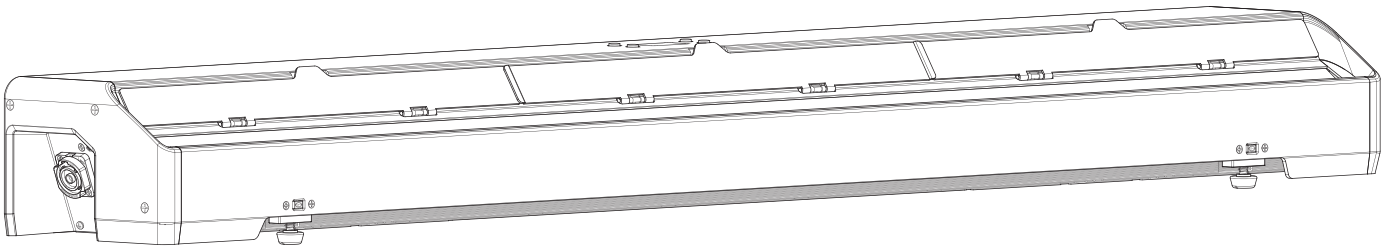


OVATION

CYC 3 FC

Quick Reference Guide

English	EN
Español	ES
Français	FR
Deutsch	DE
Nederlands	NL



Model ID: OVATIONCYC3FC

About This Guide

The Ovation CYC 3 FC Quick Reference Guide (QRG) has basic product information such as mounting, menu options, and DMX values. Download the User Manual from www.chauvetprofessional.com for more details.

Disclaimer

The information and specifications contained in this QRG are subject to change without notice.

LIMITED WARRANTY

FOR WARRANTY REGISTRATION AND COMPLETE TERMS AND CONDITIONS PLEASE VISIT OUR WEBSITE.

For Customers in the United States and Mexico: www.chauvetlighting.com/warranty-registration.

For Customers in the United Kingdom, Republic of Ireland, Belgium, the Netherlands, Luxembourg, France, and Germany: www.chauvetlighting.eu/warranty-registration.

Chauvet warrants that this product shall be free from defects in material and workmanship under normal use, for the period specified in, and subject to the exclusions and limitations set forth in the full limited warranty on our website. This warranty extends only to the original purchaser of the product and is not transferable. To exercise rights under this warranty, you must provide proof of purchase in the form of an original sales receipt from an authorized dealer that shows the product name and date of purchase. THERE ARE NO OTHER EXPRESS OR IMPLIED WARRANTIES. This warranty gives you specific legal rights. You may also have other rights that vary from state to state and country to country. This warranty is valid only in the United States, United Kingdom, Republic of Ireland, Belgium, the Netherlands, Luxembourg, France, Germany and Mexico. For warranty terms in other countries, please consult your local distributor.

Safety Notes

These Safety Notes include important information about installation, use, and maintenance.

- The luminaire should be positioned so that prolonged staring into the luminaire at a distance closer than 7.55 ft (2.3 m) is not expected.
- If the external flexible cable or cord of this luminaire is damaged, it shall be replaced by a special cord or cord exclusively available from the manufacturer or his service agent.
- The light source contained in this luminaire shall only be replaced by the manufacturer or his service agent or a similar qualified person.
- The luminaire is intended for professional use only.
- DO NOT open this product. It contains no user-serviceable parts.
- To eliminate unnecessary wear and improve its lifespan, during periods of non-use completely disconnect the product from power via breaker or by unplugging it.
- DO NOT look at the light source when the product is on.
- CAUTION: This product's housing may be hot when lights are operating. Mount this product in a location with adequate ventilation, at least 20 in (50 cm) from adjacent surfaces.
- DO NOT leave any flammable material within 50 cm of this product while operating or connected to power.
- CAUTION: When transferring product from extreme temperature environments, (e.g., cold truck to warm humid ballroom) condensation may form on the internal electronics of the product. To avoid causing a failure, allow product to fully acclimate to the surrounding environment before connecting it to power.
- USE a safety cable when mounting this product overhead.
- DO NOT operate this product outdoors or in any location where dust, excessive heat, water, or humidity may affect it (IP20).
- DO NOT operate this product if the housing, lenses, or cables appear damaged.
- DO NOT connect this product to a dimmer or rheostat.
- ONLY connect this product to a grounded and protected circuit.
- In the event of a serious operating problem, stop using immediately.
- The maximum ambient temperature is 113 °F (45 °C). Do not operate this product at higher temperatures.
- The minimum startup temperature is -4°F (-20°C). Do not start the product at lower temperatures.
- The minimum ambient temperature is -22°F (-30°C). Do not operate the product at lower temperatures.

FCC Compliance

This device complies with Part 15 Part B of the FCC Rules. Operation is subject to the following two conditions:

1. This device may not cause harmful interference, and
2. This device must accept any interference received, including interference that may cause undesired operation.

Any changes or modifications not expressly approved by the party responsible for compliance could void the user's authority to operate the equipment.

Contact

Outside the U.S., U.K., Ireland, Benelux, France, Germany, or Mexico, contact your distributor to request support or return a product. Refer to [Contact Us](#) at the end of this QRG for contact information.

What is Included

- Ovation CYC 3 FC
- Seetronic Powerkon IP65 power cord
- 2 omega brackets with mounting hardware
- Quick Reference Guide

AC Power

This product has an auto-ranging power supply that can work with an input voltage range of 100–240 VAC, 50/60 Hz.

AC Plug

Connection	Wire (U.S.)	Wire (Europe)	Screw Color
AC Live	Black	Brown	Yellow/Brass
AC Neutral	White	Blue	Silver
AC Ground	Green/Yellow	Green/Yellow	Green



To eliminate unnecessary wear and improve its lifespan, during periods of non-use completely disconnect the product from power via breaker or by unplugging it.

Replacing the Fuse

1. Disconnect the product from power.
2. Using a flat head screwdriver, unscrew the fuse holder cap from the housing.
3. Remove blown fuse and replace with a good fuse of the same type and rating.
4. Screw the fuse holder cap back in place and reconnect power.

DMX Linking

The Ovation CYC 3 FC will work with a DMX controller using a 5-pin DMX serial connection. A DMX Primer is available from www.chauvetprofessional.com.

DMX Connection

The Ovation CYC 3 FC uses a 5-pin DMX data connection for its DMX personalities: **1Ch, 3Ch, 5Ch, 7Ch, 10Ch, 12Ch, 13Ch, 16Ch, 17Ch, 33Ch**, and **HSV**. See the User Manual for information about connecting and configuring the product for DMX operation.

Master/Slave Connection

The Ovation CYC 3 FC uses the DMX data connection for its master/slave mode. See the User Manual for information about how to connect and configure the product for master/slave operation.

RDM (Remote Device Management)

Remote Device Management, or RDM, is a standard for allowing DMX-enabled devices to communicate bi-directionally along existing DMX cabling. Check the DMX controller’s User Manual or with the manufacturer as not all DMX controllers have this capability. The Ovation CYC 3 FC supports RDM protocol that allows feedback to make changes to menu map options. Download the User Manual from www.chauvetprofessional.com for more details.

USB Software Update

The Ovation CYC 3 FC allows for software update through USB using the built-in USB port. To update the software using USB flash drive, do the following:

1. Power on the fixture and plug the flash drive into the USB port.
2. Once the flash drive has been detected, the message “Upgrade Firmware” will be displayed. Press **<ENTER>**.
 - If a different message appears on the display, search for the updated software in the Menu (**Updated Firmware**) and select from **Only This Unit**, **Multiple Units**, or **Other Fixture Type**. A list of the updated software files will be displayed.
3. Select the file that needs to be uploaded. The message “Are you sure?” will be displayed. Press **<ENTER>**.
4. If the selected file is correct, the upgrade will be completed. Restart the fixture.
 - If the selected file is incorrect, the upgrade will fail, and the display will go back to the main interface. Repeat steps 1-3 using the correct file.

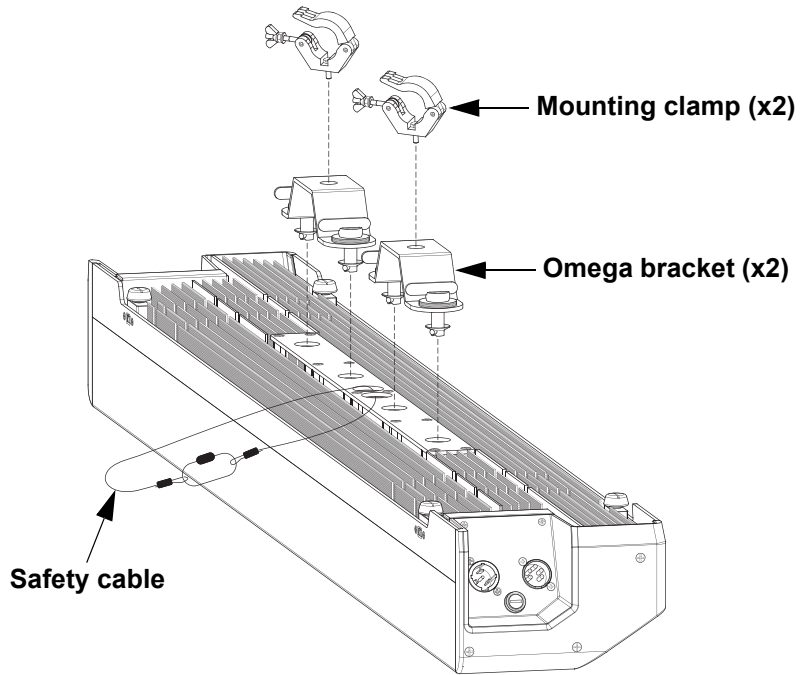


The “Other Fixture Type” option can only be selected for connected products compatible with the Upload 03 (the first 2 digits of the item code must be 03).

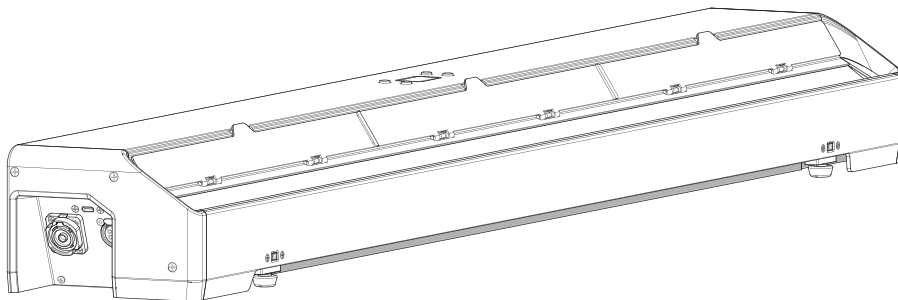
Mounting

Before mounting this product, read the [Safety Notes](#). Make sure the mounting clamps are capable of supporting the weight of the product. For our Chauvet line of mounting clamps, go to <http://trusst.com/productcategory/truss-clamps>.

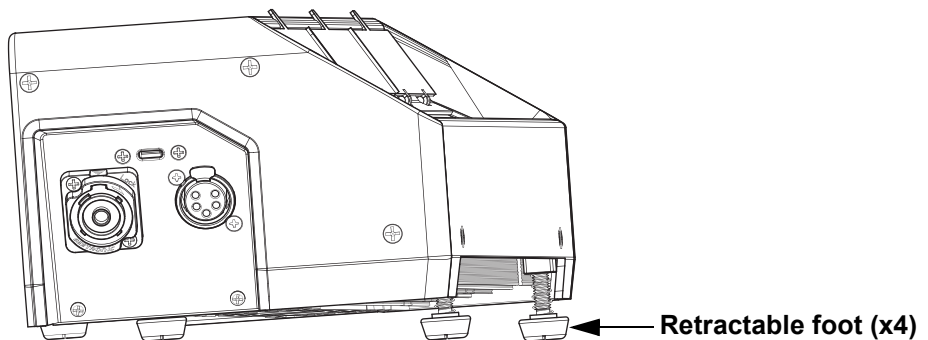
Mounting Diagram



Overhead mounting



Surface mounting



Virtual Color Wheel

The Ovation CYC 3 FC includes a feature called the Virtual Color Wheel (VCW). This feature is available as a standalone control mode for manual use and as a control channel in select DMX personalities. More than 30 premixed colors, custom blended by Chauvet engineers, are available to call up for easier programming.

The DMX values used to mix these colors are provided below. The overall intensity of the Ovation fixture can be adjusted to more closely replicate familiar industry-standard colors. A chart is available at www.chauvetprofessional.com to compare Chauvet's premixed colors with popular gel colors. This chart is for comparison purposes only and is not an assertion that Chauvet's premixed colors match any of the gel colors listed.

Virtual Color Wheel Chart

DMX Value	Display Readout	Red Value	Green Value	Blue Value	Amber Value	Lime Value
000 ⇔ 005	--	000	000	000	000	000
006 ⇔ 013	C3050 - Md Yellow	233	163	020	123	255
014 ⇔ 021	C3040 - Lt Yellow	224	158	047	255	231
022 ⇔ 028	C3240 - Amb Yellow	180	060	000	245	255
029 ⇔ 035	C2340 - V Lt Amber	245	107	081	255	213
036 ⇔ 043	C2040 - Lt Amber	230	130	062	255	155
044 ⇔ 051	C2050 - Md Amber	255	000	025	255	194
052 ⇔ 059	C2060 - Dk Amber	255	000	024	255	150
060 ⇔ 067	C1050 - Lt Red	255	037	027	030	038
068 ⇔ 075	C1080 - Md Red	255	004	017	000	000
076 ⇔ 083	C1020 - NC Pink	238	135	129	255	255
084 ⇔ 091	C1030 - Md Pink	255	131	120	255	195
092 ⇔ 099	C1630 - Dk Pink	255	165	123	255	210
100 ⇔ 107	C1250 - Md Red Amber	255	000	041	195	055
108 ⇔ 115	C1060 - Dk Red Amber	255	000	045	120	030
116 ⇔ 121	C1650 - Magenta	255	050	115	255	115
122 ⇔ 130	C6170 - Dk Magenta	255	035	117	000	000
131 ⇔ 138	C6020 - Lt Lavender	127	122	142	251	255
139 ⇔ 146	C5030 - Lt Blue	000	255	197	100	255
147 ⇔ 154	C5020 - V Lt Blue	158	255	189	000	255
155 ⇔ 162	C5430 - Lt Blue 2	000	255	180	000	243
163 ⇔ 170	C5070 - Blue	043	255	210	043	036
171 ⇔ 178	C5050 - Md Blue	000	255	218	000	181
179 ⇔ 186	C5060 - Dk Blue	000	210	206	000	118
187 ⇔ 194	C5690 - Indigo	065	000	210	040	055
195 ⇔ 202	C5080 - V Dk Blue	000	203	230	000	040
203 ⇔ 210	C5081 - V Dk Blue2	040	199	240	000	045
211 ⇔ 218	C4370 - Yel Green	027	255	028	016	104
219 ⇔ 226	C4070 - Green	049	255	055	120	090
227 ⇔ 234	C4550 - Turquoise	060	230	109	000	245
235 ⇔ 242	C4560 - Aqua	020	240	126	036	255
243 ⇔ 250	C4570 - Blue Green	000	255	079	030	053
251 ⇔ 255	--	000	000	000	000	000



Note: The colors above are simulated renditions of the color output produced compared with other similar incandescent products. Chauvet makes no guarantee of the color output accuracy.

Color Temperature Chart

DMX Value	Display Readout	Red Value	Green Value	Blue Value	Amber Value	Lime Value
000 ⇔ 005	--	000	000	000	000	000
006 ⇔ 025	2800K	172	110	037	255	255
026 ⇔ 050	3000K	156	126	044	255	255
051 ⇔ 075	3200K	144	142	049	255	255
076 ⇔ 100	3500K	128	159	062	255	255
101 ⇔ 125	4000K	096	183	073	255	255
126 ⇔ 150	4500K	084	209	091	255	255
151 ⇔ 175	5000K	074	221	109	255	255
176 ⇔ 200	5600K	064	244	126	255	255
201 ⇔ 225	6000K	059	255	137	255	255
226 ⇔ 250	6500K	050	255	148	255	255
251 ⇔ 255	--	000	000	000	000	000



The color temperatures above are simulated renditions of the color output produced as compared to a tungsten lamp at the specified color temperature. Chauvet makes no guarantee of the color output accuracy.

Control Panel Description

Button	Function
<MENU>	Exits from the current menu or function
<ENTER>	Enables the currently displayed menu or sets the currently selected value into the selected function
<UP>	Navigates upwards through the menu list or increases the numeric value when in a function
<DOWN>	Navigates downwards through the menu list or decreases the numeric value when in a function

Passcode

After being prompted, enter the following passcode by pressing: <UP>, <DOWN>, <UP>, <DOWN>, <ENTER>. This passcode cannot be changed and must be used whenever prompted.

Menu Map

Refer to the Ovation CYC 3 FC product page on www.chauvetprofessional.com for the latest menu map.

Main Level	Programming Levels		Description	
DMX Address	001–512*		Selects starting address (*highest channel restricted to personality chosen)	
DMX Channel	1Ch	Virtual Color Wheel	----- 1-channel: dimmer, See Virtual Color Wheel Chart	
		Color Temperature	----- See Color Temperature Chart	
		Manual Color Mixer	Red	000–255 Combine red, green, blue, amber, and lime to make custom color (0–100%)
			Green	
			Blue	
	Amber			
	Lime			
	3Ch	3-channel: Dimmer, virtual color wheel, color temperature		
	5Ch	5-channel: RGBAL		
	7Ch	7-channel: Dimmer, RGBAL, strobe		
	10Ch	10-channel: 16-bit dimmer, RGBAL, strobe, virtual color wheel, color temperature		
	12Ch	12-channel: Dimmer, RGBAL, strobe, virtual color wheel, color temperature, auto programs, auto speed, control		
	13Ch	13-channel: 16-bit dimmer, 16-bit RGBAL, strobe		
16Ch	16-channel: 16-bit dimmer, 16-bit RGBAL, strobe, virtual color wheel, color temperature, control			
17Ch	17-channel: Dimmer, 3-cell RGBAL, strobe			
33Ch	17-channel: 16-bit dimmer, 16-bit 3-cell RGBAL, strobe			
HSV	3-channel: HSV control			
Virtual Color Wheel	Virtual Color Wheel	C3050 - Md Yellow C3040 - Lt Yellow C3240 - Amb Yellow C2340 - V Lt Amber C2040 - Lt Amber C2050 - Md Amber C2060 - Dk Amber C1050 - Lt Red C1080 - Md Red C1020 - NC Pink C1030 - Md Pink	Dimmer 000–255 Virtual Color Wheel simulates the output of each gel color. Refer to the Virtual Color Wheel Chart section for specific values.	

Main Level	Programming Levels		Description	
Virtual Color Wheel (cont.)	Virtual Color Wheel (cont.)	C1630 - Dk Pink	Dimmer 000–255	Virtual Color Wheel simulates the output of each gel color. Refer to the Virtual Color Wheel Chart section for specific values.
		C1250 - Md Red Amber		
		C1060 - Dk Red Amber		
		C1650 - Magenta		
		C6170 - Dk Magenta		
		C6020 - Lt Lavender		
		C5030 - Lt Blue		
		C5020 - VLt Blue		
		C5430 - Lt Blue 2		
		C5070 - Blue		
		C5050 - Md Blue		
		C5060 - Dk Blue		
		C5690 - Indigo		
		C5080 - VDk Blue		
		C5081 - VDk Blue 2		
		C4370 - Yel Green		
		C4070 - Green		
	C4550 - Turquoise			
	C4560 - Aqua			
	C4570 - Blue Green			
Virtual Color Wheel (cont.)	Color Temperature	2800K	Dimmer 000–255	Preset white color temperatures. Emulates a tungsten lamp at the specified color temperature. Refer to the Color Temperature Chart section for specific values.
		3000K		
		3200K		
		3500K		
		4000K		
		4500K		
		5000K		
		5600K		
		6000K		
		6500K		
Virtual Color Wheel (cont.)	Manual Color Mixer	Red	000–255	Combine red, green, blue, amber, and lime to make a custom color (0–100%)
		Green		
		Blue		
		Amber		
		Lime		
Virtual Color Wheel (cont.)	Color X-Fade Speed	Off	000–255	Virtual Color Wheel cross-fade off
		X-Fade Speed 1		
		X-Fade Speed 2		
		X-Fade Speed 3		
		X-Fade Speed 4		
Auto Show	Auto 1	001–100	000–255	Selects automatic programs and auto program speed
	Auto 2			
	Auto 3			
	Auto 4			
	Auto 5			
Red Shift	On		000–255	Turns on or off Red Shift (amber LEDs imitate lamp when dimming)
	Off			

QUICK REFERENCE GUIDE



EN

Main Level	Programming Levels		Description
Master/Slave	Master		Master mode
	Slave		Slave mode
Dimmer Curve	S Curve		Set the dimmer curve
	Linear		
	Square		
	Inverse Square		
Dimmer Mode	Off		Linear dimmer
	Dimmer 1		Fast dimmer curve
	Dimmer 2		Medium dimmer curve
	Dimmer 3		Slow dimmer curve
White Balance	Manual	Off	Uses factory default white setting
		Red	Sets red LED maximum value
		Green	Sets green LED maximum value
		Blue	Sets blue LED maximum value
		Amber	Sets amber LED maximum value
		Lime	Sets lime LED maximum value
LED Frequency	600Hz		Selects the PWM output frequency
	1200Hz		
	2000Hz		
	4000Hz		
	6000Hz		
	25KHz		
Back Light	10S		Turns off display backlight after 10 seconds of inactivity
	30S		Turns off display backlight after 30 seconds of inactivity
	2Min		Turns off display backlight after 2 minutes of inactivity
	Always On		Display backlight always on
Information	Fixture Hours	___ H	Shows total product hours
	LED Hours	___ H	Shows total LED hours
	Version	V_..	Shows installed software version
	UID	-----	Shows product UID
Temperature	Temp A	__ °C	Shows current product temperatures
	Temp B	__ °C	
	Temp C	__ °C	
Upgrade Firmware	Only This Fixture	-----CHL	Selects an update file for this product, or shows "No such file!"
		...	
	Multiple Fixture	-----CHL	Selects an update file for this and connected Ovation CYC 3 FC products, or shows "No such file!"
		...	
	Other Fixture Type	-----CHL	Selects an update file for other connected products, or shows "No such file!"
		...	
Factory Reset	No		Reset to factory defaults
	Yes		

DMX Values

HSV

Channel	Function	Value	Percent/Setting
1	Hue	000 ⇄ 255	0–100%
2	Saturation	000 ⇄ 255	0–100%
3	Value	000 ⇄ 255	0–100%

33Ch

Channel	Function	Value	Percent/Setting
1	Dimmer	000 ⇄ 255	0–100%
2	Dimmer Fine	000 ⇄ 255	0–100%
3	Red 1	000 ⇄ 255	0–100%
4	Red Fine 1	000 ⇄ 255	0–100%
5	Green 1	000 ⇄ 255	0–100%
6	Green Fine 1	000 ⇄ 255	0–100%
7	Blue 1	000 ⇄ 255	0–100%
8	Blue Fine 1	000 ⇄ 255	0–100%
9	Amber 1	000 ⇄ 255	0–100%
10	Amber Fine 1	000 ⇄ 255	0–100%
11	Lime 1	000 ⇄ 255	0–100%
12	Lime Fine 1	000 ⇄ 255	0–100%
13	Red 2	000 ⇄ 255	0–100%
14	Red Fine 2	000 ⇄ 255	0–100%
15	Green 2	000 ⇄ 255	0–100%
16	Green Fine 2	000 ⇄ 255	0–100%
17	Blue 2	000 ⇄ 255	0–100%
18	Blue Fine 2	000 ⇄ 255	0–100%
19	Amber 2	000 ⇄ 255	0–100%
20	Amber Fine 2	000 ⇄ 255	0–100%
21	Lime 2	000 ⇄ 255	0–100%
22	Lime Fine 2	000 ⇄ 255	0–100%
23	Red 3	000 ⇄ 255	0–100%
24	Red Fine 3	000 ⇄ 255	0–100%
25	Green 3	000 ⇄ 255	0–100%
26	Green Fine 3	000 ⇄ 255	0–100%
27	Blue 3	000 ⇄ 255	0–100%
28	Blue Fine 3	000 ⇄ 255	0–100%
29	Amber 3	000 ⇄ 255	0–100%
30	Amber Fine 3	000 ⇄ 255	0–100%
31	Lime 3	000 ⇄ 255	0–100%
32	Lime Fine 3	000 ⇄ 255	0–100%
33	Strobe	000 ⇄ 010 011 ⇄ 255	No function Strobe, slow to fast

QUICK REFERENCE GUIDE



EN

17Ch

Channel	Function	Value	Percent/Setting
1	Dimmer	000 ⇔ 255	0–100%
2	Red 1	000 ⇔ 255	0–100%
3	Green 1	000 ⇔ 255	0–100%
4	Blue 1	000 ⇔ 255	0–100%
5	Amber 1	000 ⇔ 255	0–100%
6	Lime 1	000 ⇔ 255	0–100%
7	Red 2	000 ⇔ 255	0–100%
8	Green 2	000 ⇔ 255	0–100%
9	Blue 2	000 ⇔ 255	0–100%
10	Amber 2	000 ⇔ 255	0–100%
11	Lime 2	000 ⇔ 255	0–100%
12	Red 3	000 ⇔ 255	0–100%
13	Green 3	000 ⇔ 255	0–100%
14	Blue 3	000 ⇔ 255	0–100%
15	Amber 3	000 ⇔ 255	0–100%
16	Lime 3	000 ⇔ 255	0–100%
17	Strobe	000 ⇔ 010 011 ⇔ 255	No function Strobe, slow to fast

16Ch

Channel	Function	Value	Percent/Setting
1	Dimmer	000 ⇔ 255	0–100%
2	Dimmer Fine	000 ⇔ 255	0–100%
3	Red	000 ⇔ 255	0–100%
4	Red Fine	000 ⇔ 255	0–100%
5	Green	000 ⇔ 255	0–100%
6	Green Fine	000 ⇔ 255	0–100%
7	Blue	000 ⇔ 255	0–100%
8	Blue Fine	000 ⇔ 255	0–100%
9	Amber	000 ⇔ 255	0–100%
10	Amber Fine	000 ⇔ 255	0–100%
11	Lime	000 ⇔ 255	0–100%
12	Lime Fine	000 ⇔ 255	0–100%
13	Strobe	000 ⇔ 010 011 ⇔ 255	No function Strobe, slow to fast
14	Virtual Color Wheel	000 ⇔ 255	See the Virtual Color Wheel Chart
15	Color Temperature	000 ⇔ 255	See the Color Temperature Chart

Channel	Function	Value	Percent/Setting
16	Control (hold for 3 seconds)	000 ⇔ 007	No function
		008 ⇔ 015	Dimmer reset
		016 ⇔ 023	Red shift on
		024 ⇔ 031	Red shift off
		032 ⇔ 039	S-curve dimmer
		040 ⇔ 047	Linear dimmer
		048 ⇔ 055	Square dimmer curve
		056 ⇔ 063	Inverse square dimmer curve
		064 ⇔ 071	Dimmer speed mode OFF
		072 ⇔ 079	Dimmer speed 1 (fastest)
		080 ⇔ 087	Dimmer speed 2
		088 ⇔ 095	Dimmer speed 3 (slowest)
		096 ⇔ 127	Reserved for future use
		128 ⇔ 135	Virtual Color Wheel cross-fade off
		136 ⇔ 143	Virtual Color Wheel cross-fade speed 1 (fastest)
		144 ⇔ 151	Virtual Color Wheel cross-fade speed 2
		152 ⇔ 159	Virtual Color Wheel cross-fade speed 3
		160 ⇔ 167	Virtual Color Wheel cross-fade speed 4 (slowest)
168 ⇔ 255	Reserved for future use		

13Ch

Channel	Function	Value	Percent/Setting
1	Dimmer	000 ⇔ 255	0–100%
2	Dimmer Fine	000 ⇔ 255	0–100%
3	Red	000 ⇔ 255	0–100%
4	Red Fine	000 ⇔ 255	0–100%
5	Green	000 ⇔ 255	0–100%
6	Green Fine	000 ⇔ 255	0–100%
7	Blue	000 ⇔ 255	0–100%
8	Blue Fine	000 ⇔ 255	0–100%
9	Amber	000 ⇔ 255	0–100%
10	Amber Fine	000 ⇔ 255	0–100%
11	Lime	000 ⇔ 255	0–100%
12	Lime Fine	000 ⇔ 255	0–100%
13	Strobe	000 ⇔ 010	No function
		011 ⇔ 255	Strobe, slow to fast

QUICK REFERENCE GUIDE



EN

12Ch

Channel	Function	Value	Percent/Setting
1	Dimmer	000 ⇔ 255	0–100%
2	Red	000 ⇔ 255	0–100%
3	Green	000 ⇔ 255	0–100%
4	Blue	000 ⇔ 255	0–100%
5	Amber	000 ⇔ 255	0–100%
6	Lime	000 ⇔ 255	0–100%
7	Strobe	000 ⇔ 010	No function
		011 ⇔ 255	Strobe, slow to fast
8	Virtual Color Wheel	000 ⇔ 255	See the Virtual Color Wheel Chart
9	Color Temperature	000 ⇔ 255	See the Color Temperature Chart
10	Auto Program	000 ⇔ 010	No function
		011 ⇔ 060	Auto 1
		061 ⇔ 110	Auto 2
		111 ⇔ 160	Auto 3
		161 ⇔ 210	Auto 4
		211 ⇔ 255	Auto 5 (Auto 1–4)
11	Auto Speed	000 ⇔ 255	Auto speed, slow to fast
12	Control (hold for 3 seconds)	000 ⇔ 007	No function
		008 ⇔ 015	Dimmer reset
		016 ⇔ 023	Red shift on
		024 ⇔ 031	Red shift off
		032 ⇔ 039	S-curve dimmer
		040 ⇔ 047	Linear dimmer
		048 ⇔ 055	Square dimmer curve
		056 ⇔ 063	Inverse square dimmer curve
		064 ⇔ 071	Dimmer speed mode OFF
		072 ⇔ 079	Dimmer speed 1 (fastest)
		080 ⇔ 087	Dimmer speed 2
		088 ⇔ 095	Dimmer speed 3 (slowest)
		096 ⇔ 127	Reserved for future use
		128 ⇔ 135	Virtual Color Wheel cross-fade off
		136 ⇔ 143	Virtual Color Wheel cross-fade speed 1 (fastest)
		144 ⇔ 151	Virtual Color Wheel cross-fade speed 2
152 ⇔ 159	Virtual Color Wheel cross-fade speed 3		
160 ⇔ 167	Virtual Color Wheel cross-fade speed 4 (slowest)		
		168 ⇔ 255	Reserved for future use

10Ch

Channel	Function	Value	Percent/Setting
1	Dimmer	000 ⇔ 255	0–100%
2	Dimmer Fine	000 ⇔ 255	0–100%
3	Red	000 ⇔ 255	0–100%
4	Green	000 ⇔ 255	0–100%
5	Blue	000 ⇔ 255	0–100%
6	Amber	000 ⇔ 255	0–100%
7	Lime	000 ⇔ 255	0–100%
8	Strobe	000 ⇔ 010 011 ⇔ 255	No function Strobe, slow to fast
9	Virtual Color Wheel	000 ⇔ 255	See the Virtual Color Wheel Chart
10	Color Temperature	000 ⇔ 255	See the Color Temperature Chart

7Ch

Channel	Function	Value	Percent/Setting
1	Dimmer	000 ⇔ 255	0–100%
2	Red	000 ⇔ 255	0–100%
3	Green	000 ⇔ 255	0–100%
4	Blue	000 ⇔ 255	0–100%
5	Amber	000 ⇔ 255	0–100%
6	Lime	000 ⇔ 255	0–100%
7	Strobe	000 ⇔ 010 011 ⇔ 255	No function Strobe, slow to fast

5Ch

Channel	Function	Value	Percent/Setting
1	Red	000 ⇔ 255	0–100%
2	Green	000 ⇔ 255	0–100%
3	Blue	000 ⇔ 255	0–100%
4	Amber	000 ⇔ 255	0–100%
5	Lime	000 ⇔ 255	0–100%

3Ch

Channel	Function	Value	Percent/Setting
1	Dimmer	000 ⇔ 255	0–100%
2	Virtual Color Wheel	000 ⇔ 255	See the Virtual Color Wheel Chart
3	Color Temperature	000 ⇔ 255	See the Color Temperature Chart

1Ch

Channel	Function	Value	Percent/Setting
1	Dimmer	000 ⇔ 255	0–100% (color set through menu)

Acerca de Esta Guía

La Guía de Referencia Rápida (GRR) del Ovation CYC 3 FC contiene información básica sobre el producto, como montaje, opciones de menú y valores DMX. Descargue el Manual de Usuario de www.chauvetprofessional.com para información más detallada.

Exención de Responsabilidad

La información y especificaciones contenidas en esta GRR están sujetas a cambio sin previo aviso.

GARANTÍA LIMITADA

PARA VER EL REGISTRO DE GARANTÍA Y LOS TÉRMINOS Y CONDICIONES COMPLETOS, VISITE NUESTRO SITIO WEB.

Para clientes en los Estados Unidos y México: www.chauvetlighting.com/warranty-registration.

Para clientes en Reino Unido, República de Irlanda, Bélgica, Países Bajos, Luxemburgo, Francia y Alemania: www.chauvetlighting.eu/warranty-registration.

Chauvet garantiza que este producto estará libre de defectos de material y mano de obra en condiciones de uso normales, durante el periodo especificado, sujeto siempre a las exclusiones y limitaciones establecidas en la garantía limitada completa de nuestro sitio web. Esta garantía se concede únicamente al comprador original del producto y no es transferible. Para ejercer los derechos que otorga esta garantía, usted debe proporcionar una prueba de compra en forma de un recibo de compra original, expedido por un distribuidor autorizado, donde figure el nombre del producto y la fecha de compra. **NO EXISTEN OTRAS GARANTÍAS EXPRESAS NI IMPLÍCITAS.** Esta garantía le otorga derechos legales específicos. Es posible que a usted le asistan otros derechos, que variarán dependiendo del estado o del país. Esta garantía solamente es válida en los Estados Unidos, Reino Unido, República de Irlanda, Bélgica, Países Bajos, Luxemburgo, Francia, Alemania y México. Para conocer los términos de garantía en otros países, consulte a su distribuidor local.

Notas de Seguridad

- La luminaria debe colocarse de forma que no sea previsible que se mire fijamente hacia ella a una distancia menor de 7,55' (2,3 m).
- Si se daña el cable externo flexible de esta luminaria, se sustituirá con un cable especial o con un cable disponible exclusivamente a través del fabricante o de su agente de servicio técnico.
- Solo el fabricante, su agente de servicio o un técnico de similar cualificación podrán reemplazar la fuente de luz contenida en esta luminaria.
- La luminaria está destinada exclusivamente a un uso profesional.
- **NO abra este producto.** No contiene piezas reparables por el usuario.
- Para evitar un desgaste innecesario y alargar su vida útil, desconecte complemente el producto de la alimentación, mediante el interruptor o desenchufándolo, durante los periodos en los que no se use.
- **NO mire a la fuente de luz cuando el producto esté encendido.**
- **CUIDADO:** La carcasa de este producto está caliente cuando las luces están en funcionamiento. Monte este producto en una ubicación con ventilación adecuada, al menos a 20" (50 cm) de superficies adyacentes.
- **NO deje ningún material inflamable a menos de 20 cm de este producto mientras esté funcionando o conectado a la alimentación.**
- Cuidado: cuando transfiera el producto desde ambientes con temperatura extrema (p. ej., del remolque frío de un camión a una sala de baile con calor y humedad), puede formarse condensación en la electrónica interna del producto. Para evitar que se produzca una avería, deje que el producto se aclimate completamente al ambiente antes de conectar la alimentación.
- **USE un cable de seguridad cuando monte este producto en lo alto.**
- **NO ponga en funcionamiento este producto en el exterior o en cualquier ubicación en la que el polvo, calor excesivo, agua o humedad puedan afectarlo. (IP20)**
- **NO ponga en funcionamiento este producto si sospecha que la carcasa, lentes o cables están dañados.**
- **NO conecte este producto a un atenuador o reostato.**
- **Conecte este producto SOLO a un circuito con toma de tierra y protegido.**
- En caso de un problema grave de funcionamiento, deje de usarlo inmediatamente.
- La máxima temperatura ambiente es de 113 °F (45 °C). No haga funcionar este producto a temperaturas más altas.
- La temperatura de inicio máxima es de -4 °F (-20 °C). No ponga en funcionamiento el producto a temperaturas más bajas.
- La temperatura ambiente mínima es de -22 °F (-30 °C). No haga funcionar el producto a temperaturas más bajas.

Cumplimiento de la FCC

Este dispositivo cumple la parte 15, parte B de las normas FCC. El funcionamiento está supeditado al cumplimiento de estas dos condiciones:

1. Este dispositivo no puede causar interferencias perjudiciales; y
2. Este dispositivo debe aceptar cualquier interferencia recibida, incluyendo las interferencias que puedan causar un funcionamiento no deseado.

Cualquier cambio o modificación que no haya sido expresamente autorizado por la parte responsable de conformidad puede anular la potestad del usuario para hacer funcionar el equipo.

Contacto

Fuera de EE. UU., Reino Unido, Irlanda, Benelux, Francia, Alemania o México póngase en contacto con su distribuidor para solicitar asistencia o devolver un producto. Consulte [Contact Us](#) al final de este GRR para información de contacto.

Qué va Incluido

- Ovation CYC 3 FC
- Cable de alimentación Seetronic Powerkon IP65
- 2 soportes Omega con material de montaje
- Guía de Referencia Rápida

Corriente Alterna

Este producto tiene una fuente de alimentación con detección automática que puede funcionar con un rango de tensión de entrada de 100 a 240 VCA, 50/60 Hz.

Enchufe CA

Conexión	Cable (EE.UU.)	Cable (Europa)	Color del tornillo
CA Cargado	Negro	Marrón	Amarillo/Latón
CA Neutro	Blanco	Azul	Plata
CA Tierra	Verde/Amarillo	Verde/Amarillo	Verde



Para evitar un desgaste innecesario y alargar su vida útil, desconecte completamente el producto de la alimentación, mediante el interruptor o desenchufándolo, durante los periodos en los que no se use.

Sustitución del fusible

1. Desconecte este producto de la alimentación.
2. Utilizando un destornillador plano, desatornille la tapa del portafusibles de la carcasa.
3. Quite el fusible fundido del portafusibles y sustitúyalo con uno nuevo del mismo tipo y categoría.
4. Vuelva a atornillar la tapa del portafusibles en su sitio y conecte de nuevo la alimentación.

Enlace DMX

El Ovation CYC 3 FC funcionará con un controlador DMX usando una conexión serie DMX de 5 pines. Hay un Manual DMX disponible en www.chauvetprofessional.com.

Conexión DMX

El Ovation CYC 3 FC usa una conexión de datos DMX normal para sus personalidades: **1Ch, 3Ch, 5Ch, 7Ch, 10Ch, 12Ch, 13Ch, 16Ch, 17Ch, 33Ch** y **HSV**. Vea el Manual de Usuario para conectar y configurar para funcionamiento DMX.

Conexión Maestro/Esclavo

El Ovation CYC 3 FC usa la conexión de datos DMX para su modo Maestro/Esclavo. Vea el Manual de usuario para conectar y configurar para funcionamiento Maestro/Esclavo.

RDM (gestión remota del dispositivo)

Remote Device Management (gestión remota del dispositivo) o RDM, es un estándar que permite a los dispositivos con capacidad DMX una comunicación bidireccional por un cableado DMX existente. El Ovation CYC 3 FC admite protocolo RDM, que posibilita información para supervisar cambiar las opciones del mapa de menú. Descargue el manual de usuario de www.chauvetprofessional.com para una información más detallada.

Actualización de software USB

El Ovation CYC 3 FC permite la actualización de software por USB utilizando el puerto USB incorporado. Para actualizar el software utilizando una unidad USB, haga lo siguiente:

1. Encienda el aparato y conecte la unidad USB al puerto USB.
2. Una vez detectada la unidad, aparecerá el mensaje "Upgrade Firmware (Actualizar firmware)". Pulse **<ENTER>**.
 - Si aparece un mensaje diferente en la pantalla, busque el software actualizado en el menú (**Update Firmware**) y seleccione de **Only This Unit, Multiple Units** o **Other Fixture Type**. Se mostrará una lista de los archivos de software actualizados.
3. Seleccione el archivo que necesite cargarse. Aparecerá el mensaje "Are you sure? (¿Está seguro?)". Pulse **<ENTER>**.
4. Si el archivo seleccionado es correcto, se completará la mejora. Reinicie el aparato.
 - Si el archivo seleccionado es incorrecto, la mejora fallará y la pantalla volverá a la interfaz principal. Repita los pasos 1–3 utilizando el archivo correcto.

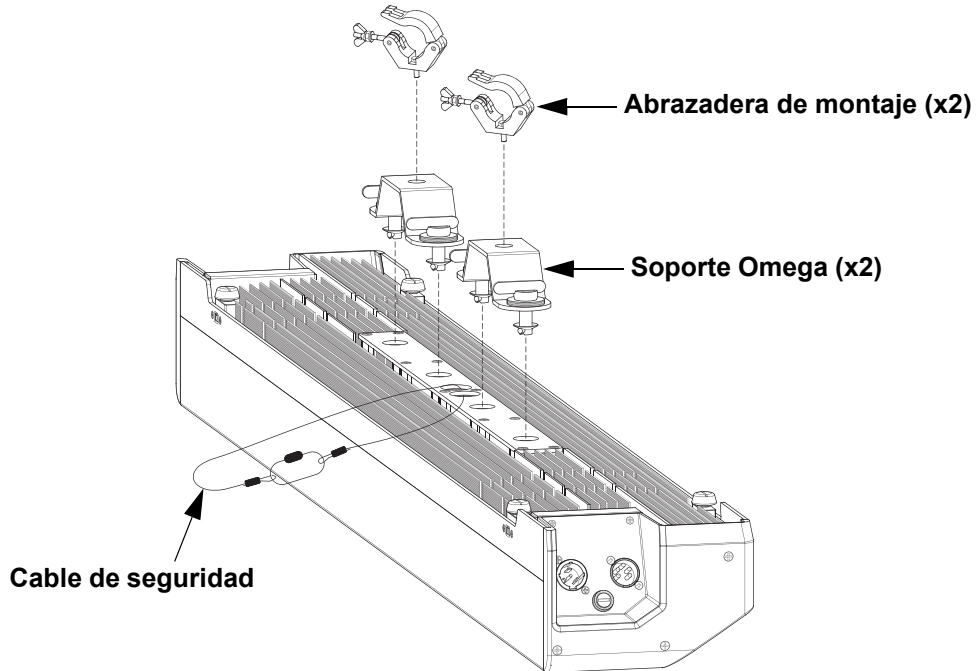


La opción "Other Fixture Type" solo se puede seleccionar para productos conectados compatibles con la Upload 03 (los primeros 2 dígitos del código del artículo deben ser 03).

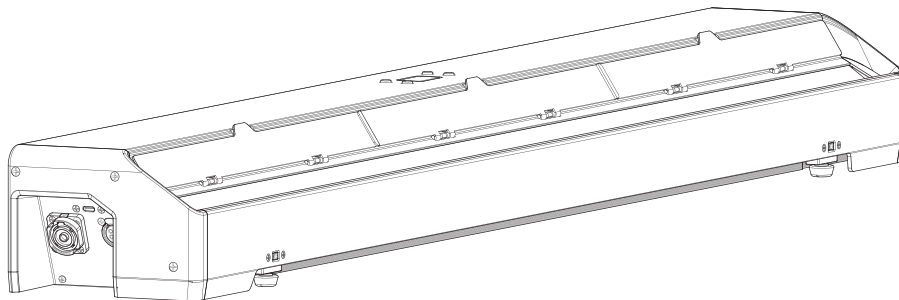
Montaje

Antes de montar este producto, lea las [Notas de Seguridad](#). Asegúrese de que las abrazaderas de montaje son capaces de soportar el peso del producto. Para nuestra línea Chauvet de abrazaderas de montaje, visite <http://trusst.com/productcategory/truss-clamps>.

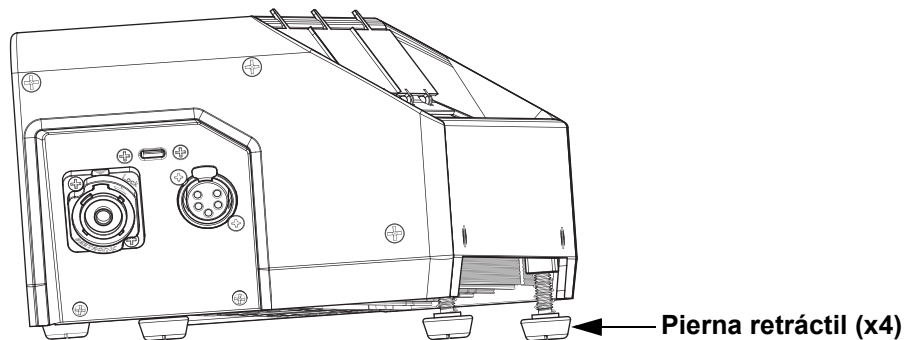
Diagrama de Montaje del Producto



Montaje en altura



Montaje en superficie



Rueda de Color Virtual (VCW)

El Ovation CYC 3 FC incluye una función de rueda de color virtual llamada Virtual Color Wheel (VCW). Esta función está disponible como modo de control independiente para uso manual y también como canal de control en algunas personalidades DMX del dispositivo. Más de 30 colores pre-mezclados, elaborados por nuestros ingenieros, están disponibles para facilitar la programación. Los valores DMX utilizados para mezclar estos colores se indican más abajo. Puede ajustar la intensidad general del dispositivo Ovation para reproducir más fielmente los colores a los que esté habituado. Hay un gráfico a su disposición en nuestro sitio web www.chauvetprofessional.com para comparar nuestros colores pre-mezclados con los colores de gel más populares. Este gráfico sirve solamente para comparar y no implica que nuestros colores pre-mezclados coincidan exactamente con los colores de gel listados.

Tabla de colores

Valor DMX	Lectura en Pantalla	Valor Rojo	Valor Verde	Valor Azul	Valor Ámbar	Valor Lime
000 ⇔ 005	--	000	000	000	000	000
006 ⇔ 013	C3050 - Md Yellow	233	163	020	123	255
014 ⇔ 021	C3040 - Lt Yellow	224	158	047	255	231
022 ⇔ 028	C3240 - Amb Yellow	180	060	000	245	255
029 ⇔ 035	C2340 - VLt Amber	245	107	081	255	213
036 ⇔ 043	C2040 - Lt Amber	230	130	062	255	155
044 ⇔ 051	C2050 - Md Amber	255	000	025	255	194
052 ⇔ 059	C2060 - Dk Amber	255	000	024	255	150
060 ⇔ 067	C1050 - Lt Red	255	037	027	030	038
068 ⇔ 075	C1080 - Md Red	255	004	017	000	000
076 ⇔ 083	C1020 - NC Pink	238	135	129	255	255
084 ⇔ 091	C1030 - Md Pink	255	131	120	255	195
092 ⇔ 099	C1630 - Dk Pink	255	165	123	255	210
100 ⇔ 107	C1250 - Md Red Amber	255	000	041	195	055
108 ⇔ 115	C1060 - Dk Red Amber	255	000	045	120	030
116 ⇔ 121	C1650 - Magenta	255	050	115	255	115
122 ⇔ 130	C6170 - Dk Magenta	255	035	117	000	000
131 ⇔ 138	C6020 - Lt Lavender	127	122	142	251	255
139 ⇔ 146	C5030 - Lt Blue	000	255	197	100	255
147 ⇔ 154	C5020 - VLt Blue	158	255	189	000	255
155 ⇔ 162	C5430 - Lt Blue 2	000	255	180	000	243
163 ⇔ 170	C5070 - Blue	043	255	210	043	036
171 ⇔ 178	C5050 - Md Blue	000	255	218	000	181
179 ⇔ 186	C5060 - Dk Blue	000	210	206	000	118
187 ⇔ 194	C5690 - Indigo	065	000	210	040	055
195 ⇔ 202	C5080 - Vdk Blue	000	203	230	000	040
203 ⇔ 210	C5081 - Vdk Blue2	040	199	240	000	045
211 ⇔ 218	C4370 - Yel Green	027	255	028	016	104
219 ⇔ 226	C4070 - Green	049	255	055	120	090
227 ⇔ 234	C4550 - Turquoise	060	230	109	000	245
235 ⇔ 242	C4560 - Aqua	020	240	126	036	255
243 ⇔ 250	C4570 - Blue Green	000	255	079	030	053
251 ⇔ 255	--	000	000	000	000	000



Los colores listados son interpretaciones simuladas de la emisión de color generada en comparación con otros productos incandescentes similares. Chauvet no garantiza la exactitud del color emitido.

Gráfico de temperaturas de color

Valor DMX	Lectura en Pantalla	Valor Rojo	Valor Verde	Valor Azul	Valor Ámbar	Valor Lime
000 ⇔ 005	--	000	000	000	000	000
006 ⇔ 025	2800K	172	110	037	255	255
026 ⇔ 050	3000K	156	126	044	255	255
051 ⇔ 075	3200K	144	142	049	255	255
076 ⇔ 100	3500K	128	159	062	255	255
101 ⇔ 125	4000K	096	183	073	255	255
126 ⇔ 150	4500K	084	209	091	255	255
151 ⇔ 175	5000K	074	221	109	255	255
176 ⇔ 200	5600K	064	244	126	255	255
201 ⇔ 225	6000K	059	255	137	255	255
226 ⇔ 250	6500K	050	255	148	255	255
251 ⇔ 255	--	000	000	000	000	000



Las temperaturas de color que aparecen arriba son interpretaciones simuladas de la emisión de color producida cuando se compara con una lámpara de tungsteno a la temperatura de color especificada. Chauvet no garantiza la exactitud del color emitido.

Descripción del Panel de Control

Botón	Función
<MENU>	Salir del menú o función actual
<ENTER>	Habilita el menú actual o configura el valor seleccionado actualmente dentro de la función seleccionada
<UP>	Navega hacia arriba por la lista de menú o aumenta el valor numérico cuando está en una función
<DOWN>	Navega hacia abajo por la lista de menú o disminuye el valor numérico cuando está en una función

Código de acceso

Después de que se le solicite, introduzca el siguiente código de acceso pulsando: <UP>, <DOWN>, <UP>, <DOWN>, <ENTER>. Este código no se puede cambiar y se debe usar cuando se le solicite.

Mapa de Menú

Consulte la página del producto Ovation CYC 3 FC en www.chauvetprofessional.com para ver el último mapa de menú.

Menú Principal	Niveles de Programación			Descripción	
DMX Address	001–512			Selecciona la dirección de inicio (*canal más alto restringido a la elección de personalidad)	
DMX Channel	1Ch	Virtual Color Wheel		----- 1 canal: atenuador Vea Tabla de colores	
		Color Temperature		----- Vea Gráfico de temperaturas de color	
		Manual Color Mixer	Red	000–255	Combina rojo, verde, azul, ámbar y lima para generar un color personalizado (0–100%)
			Green		
			Blue		
	Amber				
	Lime				
	3Ch			3 canales: atenuador, rueda de color virtual, temperatura de color	
	5Ch			5 canales: RGBAL	
	7Ch			7 canales: atenuador, RGBAL, estroboscopio	
	10Ch			10 canales: 16 bits atenuador, RGBAL, estroboscopio, rueda de color virtual, temperatura de color	
	12Ch			12 canales: atenuador, RGBAL, estroboscopio, rueda de color virtual, temperatura de color, programas automáticos, velocidad automática, control	
	13Ch			13 canales: 16 bits atenuador, RGBAL, estroboscopio	
16Ch			16 canales: 16 bits atenuador, 16 bits RGBAL, estroboscopio, rueda de color virtual, temperatura de color, control		
17Ch			17 canales: atenuador, 3 celdas RGBAL, estroboscopio		
33Ch			17 canales: 16 bits atenuador, 16 bits 3 celdas RGBAL, estroboscopio		
HSV			3 canales: control de HSV		
Virtual Color Wheel	Virtual Color Wheel	C3050 - Md Yellow C3040 - Lt Yellow C3240 - Amb Yellow C2340 - VLt Amber C2040 - Lt Amber C2050 - Md Amber C2060 - Dk Amber C1050 - Lt Red C1080 - Md Red	Dimmer 000–255	Rueda de Color Virtual (VCW) simula la emisión de cada gel de color. Consulte la sección Tabla de colores para ver los valores específicos	

Menú Principal	Niveles de Programación		Descripción	
Virtual Color Wheel (cont.)	Virtual Color Wheel (cont.)	C1020 - NC Pink	Dimmer 000–255	Rueda de Color Virtual (VCW) simula la emisión de cada gel de color. Consulte la sección Tabla de colores para ver los valores específicos
		C1030 - Md Pink		
		C1630 - Dk Pink		
		C1250 - Md Red Amber		
		C1060 - Dk Red Amber		
		C1650 - Magenta		
		C6170 - Dk Magenta		
		C6020 - Lt Lavender		
		C5030 - Lt Blue		
		C5020 - VLt Blue		
		C5430 - Lt Blue 2		
		C5070 - Blue		
		C5050 - Md Blue		
		C5060 - Dk Blue		
		C5690 - Indigo		
		C5080 - VDk Blue		
		C5081 - VDk Blue 2		
		C4370 - Yel Green		
		C4070 - Green		
		C4550 - Turquoise		
C4560 - Aqua				
C4570 - Blue Green				
Color Temperature	Color Temperature	2800K	Dimmer 000–255	Temperaturas de color blanco Emula una lámpara de tungsteno a la temperatura de color especificada. Consulte el apartado Gráfico de temperaturas de color para ver valores concretos
		3000K		
		3200K		
		3500K		
		4000K		
		4500K		
		5000K		
		5600K		
		6000K		
		6500K		
Manual Color Mixer	Manual Color Mixer	Red	000–255	Combina rojo, verde, azul, ámbar y lime para generar un color personalizado (0–100%)
		Green		
		Blue		
		Amber		
		Lime		
Color X-Fade Speed	Color X-Fade Speed	Off		Fundido cruzado de Rueda de Color Virtual apagado
		X-Fade Speed 1		Velocidad de fundido cruzado de Rueda de Color Virtual, rápido (1) a lento (4)
		X-Fade Speed 2		
		X-Fade Speed 3		
		X-Fade Speed 4		
Auto Show	Auto Show	Auto 1	Speed 001–100	Selecciona programas automáticos y velocidad de programas automáticos
		Auto 2		
		Auto 3		
		Auto 4		
		Auto 5		

Menú Principal	Niveles de Programación		Descripción	
Red Shift	On		Apaga o enciende el cambio a rojo (los LED ámbar imitan una lámpara cuando se atenúan)	
	Off			
Master/Slave	Master		Modo maestro	
	Slave		Modo esclavo	
Dimmer Curve	S Curve		Configura la curva del atenuador	
	Linear			
	Square			
	Inverse Square			
Dimmer Mode	Off		Atenuador lineal	
	Dimmer 1		Curva de atenuador rápida	
	Dimmer 2		Curva de atenuador media	
	Dimmer 3		Curva de atenuador lenta	
White Balance	Off		Utiliza la configuración de blanco predeterminada de fábrica	
	Manual	Red	125–255	Establece el valor máximo de LED rojo
		Green		Establece el valor máximo de LED verde
		Blue		Establece el valor máximo de LED azul
		Amber		Establece el valor máximo de LED ámbar
		Lime		Establece el valor máximo de LED lime
LED Frequency	600Hz		Selecciona la frecuencia de emisión PWM	
	1200Hz			
	2000Hz			
	4000Hz			
	6000Hz			
	25KHz			
Back Light	10S		Retro-iluminación de la pantalla se apaga después de 10 segundos de inactividad	
	30S		Retro-iluminación de la pantalla se apaga después de 30 segundos de inactividad	
	2Min		Retro-iluminación de la pantalla se apaga después de 2 minutos de inactividad	
	Always On		Retro-iluminación de la pantalla siempre activa	
Information	Fixture Hours	___ H	Muestra el nombre total de las horas del producto	
	LED Hours	___ H	Muestra el nombre total de las horas de los LED	
	Version	V_ _	Muestra instalada la versión de software	
	UID	_____	Muestra actual UID #	
Temperature	Temp A	__ °C	Muestra las temperaturas del producto actual	
	Temp B	__ °C		
	Temp C	__ °C		
Upgrade Firmware	Only This Fixture	_____ .CHL	Muestra los archivos de actualización para este producto, o muestra "No such file!"	
		...		
	Multiple Fixture	_____ .CHL	Muestra los archivos de actualización para este producto y productos Ovation CYC 3 FC conectados, o muestra "No such file!"	
		...		
	Other Fixture Type	_____ .CHL	Muestra los archivos de actualización para otros productos conectados, o muestra "No such file!"	
		...		
Factory Reset	No		Reinicia a la configuración de fábrica	
	Yes			

Valores DMX
HSV

Canal	Función	Valor	Porcentaje/Configuración
1	Tono	000 ⇔ 255	0–100%
2	Saturación	000 ⇔ 255	0–100%
3	Valor	000 ⇔ 255	0–100%

33Ch

Canal	Función	Valor	Porcentaje/Configuración
1	Atenuador	000 ⇔ 255	0–100%
2	Atenuador fino	000 ⇔ 255	0–100%
3	Rojo 1	000 ⇔ 255	0–100%
4	Rojo fino 1	000 ⇔ 255	0–100%
5	Verde 1	000 ⇔ 255	0–100%
6	Verde fino 1	000 ⇔ 255	0–100%
7	Azul 1	000 ⇔ 255	0–100%
8	Azul fino 1	000 ⇔ 255	0–100%
9	Ámbar 1	000 ⇔ 255	0–100%
10	Ámbar fino 1	000 ⇔ 255	0–100%
11	Limón 1	000 ⇔ 255	0–100%
12	Limón fino 1	000 ⇔ 255	0–100%
13	Rojo 2	000 ⇔ 255	0–100%
14	Rojo fino 2	000 ⇔ 255	0–100%
15	Verde 2	000 ⇔ 255	0–100%
16	Verde fino 2	000 ⇔ 255	0–100%
17	Azul 2	000 ⇔ 255	0–100%
18	Azul fino 2	000 ⇔ 255	0–100%
19	Ámbar 2	000 ⇔ 255	0–100%
20	Ámbar fino 2	000 ⇔ 255	0–100%
21	Limón 2	000 ⇔ 255	0–100%
22	Limón fino 2	000 ⇔ 255	0–100%
23	Rojo 3	000 ⇔ 255	0–100%
24	Rojo fino 3	000 ⇔ 255	0–100%
25	Verde 3	000 ⇔ 255	0–100%
26	Verde fino 3	000 ⇔ 255	0–100%
27	Azul 3	000 ⇔ 255	0–100%
28	Azul fino 3	000 ⇔ 255	0–100%
29	Ámbar 3	000 ⇔ 255	0–100%
30	Ámbar fino 3	000 ⇔ 255	0–100%
31	Limón 3	000 ⇔ 255	0–100%
32	Limón fino 3	000 ⇔ 255	0–100%
33	Estroboscopio	000 ⇔ 010 011 ⇔ 255	Sin función Estroboscopio, lento a rápido

ES

17Ch

Canal	Función	Valor	Porcentaje/Configuración
1	Atenuador	000 ⇔ 255	0–100%
2	Rojo 1	000 ⇔ 255	0–100%
3	Verde 1	000 ⇔ 255	0–100%
4	Azul 1	000 ⇔ 255	0–100%
5	Ámbar 1	000 ⇔ 255	0–100%
6	Limón 1	000 ⇔ 255	0–100%
7	Rojo 2	000 ⇔ 255	0–100%
8	Verde 2	000 ⇔ 255	0–100%
9	Azul 2	000 ⇔ 255	0–100%
10	Ámbar 2	000 ⇔ 255	0–100%
11	Limón 2	000 ⇔ 255	0–100%
12	Rojo 3	000 ⇔ 255	0–100%
13	Verde 3	000 ⇔ 255	0–100%
14	Azul 3	000 ⇔ 255	0–100%
15	Ámbar 3	000 ⇔ 255	0–100%
16	Limón 3	000 ⇔ 255	0–100%
17	Estroboscopio	000 ⇔ 010 011 ⇔ 255	Sin función Estroboscopio, lento a rápido

16Ch

Canal	Función	Valor	Porcentaje/Configuración
1	Atenuador	000 ⇔ 255	0–100%
2	Atenuador fino	000 ⇔ 255	0–100%
3	Rojo	000 ⇔ 255	0–100%
4	Rojo fino	000 ⇔ 255	0–100%
5	Verde	000 ⇔ 255	0–100%
6	Verde fino	000 ⇔ 255	0–100%
7	Azul	000 ⇔ 255	0–100%
8	Azul fino	000 ⇔ 255	0–100%
9	Ámbar	000 ⇔ 255	0–100%
10	Ámbar fino	000 ⇔ 255	0–100%
11	Limón	000 ⇔ 255	0–100%
12	Limón fino	000 ⇔ 255	0–100%
13	Estroboscopio	000 ⇔ 010 011 ⇔ 255	Sin función Estroboscopio, lento a rápido
14	Rueda de Color Virtual	000 ⇔ 255	Vea la Tabla de colores
15	Temperatura del color	000 ⇔ 255	Vea la Gráfico de temperaturas de color

Canal	Función	Valor	Porcentaje/Configuración
16	Control (mantenga para 3 segundos)	000 ⇔ 007	Sin función
		008 ⇔ 015	Reiniciar el atenuador
		016 ⇔ 023	Cambio a rojo apagado
		024 ⇔ 031	Cambio a rojo encendido
		032 ⇔ 039	Curva de atenuador curva-S
		040 ⇔ 047	Curva de atenuador lineal
		048 ⇔ 055	Curva de atenuador cuadrado
		056 ⇔ 063	Curva de atenuador cuadrado inverso
		064 ⇔ 071	Modo velocidad del atenuador desactivado
		072 ⇔ 079	Velocidad de atenuador 1 (rápida)
		080 ⇔ 087	Velocidad de atenuador 2
		088 ⇔ 095	Velocidad de atenuador 3 (lenta)
		096 ⇔ 127	Reservado para utilización futura
		128 ⇔ 135	Fundido cruzado de VCW apagado
		136 ⇔ 143	Velocidad de fundido cruzado de VCW 1 (rápida)
		144 ⇔ 151	Velocidad de fundido cruzado de VCW 2
		152 ⇔ 159	Velocidad de fundido cruzado de VCW 3
160 ⇔ 167	Velocidad de fundido cruzado de VCW 4 (lenta)		
168 ⇔ 255	Reservado para utilización futura		

13Ch

Canal	Función	Valor	Porcentaje/Configuración
1	Atenuador	000 ⇔ 255	0–100%
2	Atenuador fino	000 ⇔ 255	0–100%
3	Rojo	000 ⇔ 255	0–100%
4	Rojo fino	000 ⇔ 255	0–100%
5	Verde	000 ⇔ 255	0–100%
6	Verde fino	000 ⇔ 255	0–100%
7	Azul	000 ⇔ 255	0–100%
8	Azul fino	000 ⇔ 255	0–100%
9	Ámbar	000 ⇔ 255	0–100%
10	Ámbar fino	000 ⇔ 255	0–100%
11	Limón	000 ⇔ 255	0–100%
12	Limón fino	000 ⇔ 255	0–100%
13	Estroboscopio	000 ⇔ 010	Sin función
		011 ⇔ 255	Estroboscopio, lento a rápido

ES

12Ch

Canal	Función	Valor	Porcentaje/Configuración
1	Atenuador	000 ⇔ 255	0–100%
2	Rojo	000 ⇔ 255	0–100%
3	Verde	000 ⇔ 255	0–100%
4	Azul	000 ⇔ 255	0–100%
5	Ámbar	000 ⇔ 255	0–100%
6	Limón	000 ⇔ 255	0–100%
7	Estroboscopio	000 ⇔ 010	Sin función
		011 ⇔ 255	Estroboscopio, lento a rápido
8	Rueda de Color Virtual	000 ⇔ 255	Vea la Tabla de colores
9	Temperatura del color	000 ⇔ 255	Vea la Gráfico de temperaturas de color
10	Programas de auto	000 ⇔ 010	Sin función
		011 ⇔ 060	Auto 1
		061 ⇔ 110	Auto 2
		111 ⇔ 160	Auto 3
		161 ⇔ 210	Auto 4
		211 ⇔ 255	Auto 5 (Auto 1–4)
11	Velocidad automática	000 ⇔ 255	Velocidad automática, lenta a rápida
12	Control (mantenga para 3 segundos)	000 ⇔ 007	Sin función
		008 ⇔ 015	Reiniciar el atenuador
		016 ⇔ 023	Cambio a rojo apagado
		024 ⇔ 031	Cambio a rojo encendido
		032 ⇔ 039	Curva de atenuador curva-S
		040 ⇔ 047	Curva de atenuador lineal
		048 ⇔ 055	Curva de atenuador cuadrado
		056 ⇔ 063	Curva de atenuador cuadrado inverso
		064 ⇔ 071	Modo velocidad del atenuador desactivado
		072 ⇔ 079	Velocidad de atenuador 1 (rápida)
		080 ⇔ 087	Velocidad de atenuador 2
		088 ⇔ 095	Velocidad de atenuador 3 (lenta)
		096 ⇔ 127	Reservado para utilización futura
		128 ⇔ 135	Fundido cruzado de VCW apagado
		136 ⇔ 143	Velocidad de fundido cruzado de VCW 1 (rápida)
		144 ⇔ 151	Velocidad de fundido cruzado de VCW 2
		152 ⇔ 159	Velocidad de fundido cruzado de VCW 3
160 ⇔ 167	Velocidad de fundido cruzado de VCW 4 (lenta)		
		168 ⇔ 255	Reservado para utilización futura

10Ch

Canal	Función	Valor	Porcentaje/Configuración
1	Atenuador	000 ⇔ 255	0–100%
2	Atenuador fino	000 ⇔ 255	0–100%
3	Rojo	000 ⇔ 255	0–100%
4	Verde	000 ⇔ 255	0–100%
5	Azul	000 ⇔ 255	0–100%
6	Ámbar	000 ⇔ 255	0–100%
7	Limón	000 ⇔ 255	0–100%
8	Estroboscopio	000 ⇔ 010 011 ⇔ 255	Sin función Estroboscopio, lento a rápido
9	Rueda de Color Virtual	000 ⇔ 255	Vea la Tabla de colores
10	Temperatura del color	000 ⇔ 255	Vea la Gráfico de temperaturas de color

7Ch

Canal	Función	Valor	Porcentaje/Configuración
1	Atenuador	000 ⇔ 255	0–100%
2	Rojo	000 ⇔ 255	0–100%
3	Verde	000 ⇔ 255	0–100%
4	Azul	000 ⇔ 255	0–100%
5	Ámbar	000 ⇔ 255	0–100%
6	Limón	000 ⇔ 255	0–100%
7	Estroboscopio	000 ⇔ 010 011 ⇔ 255	Sin función Estroboscopio, lento a rápido

5Ch

Canal	Función	Valor	Porcentaje/Configuración
1	Rojo	000 ⇔ 255	0–100%
2	Verde	000 ⇔ 255	0–100%
3	Azul	000 ⇔ 255	0–100%
4	Ámbar	000 ⇔ 255	0–100%
5	Limón	000 ⇔ 255	0–100%

3Ch

Canal	Función	Valor	Porcentaje/Configuración
1	Atenuador	000 ⇔ 255	0–100%
2	Rueda de Color Virtual	000 ⇔ 255	Vea la Tabla de colores
3	Temperatura del color	000 ⇔ 255	Vea la Gráfico de temperaturas de color

1Ch

Canal	Función	Valor	Porcentaje/Configuración
1	Atenuador	000 ⇔ 255	0–100% (configura el color desde la pantalla de menú)

À Propos de ce Manuel

Le Manuel de Référence du Ovation CYC 3 FC (MdR) reprend des informations de base sur cet appareil notamment en matière de montage, options de menu et valeurs DMX. Télécharger le Manuel d'Utilisation sur www.chauvetprofessional.com pour de plus amples informations.

Clause de Non-Responsabilité

Les informations et caractéristiques contenues dans ce manuel sont sujettes à changement sans préavis.

GARANTIE LIMITÉE

VEUILLEZ VISITER NOTRE SITE INTERNET POUR CONSULTER LES MODALITÉS D'ENREGISTREMENT DE LA GARANTIE ET LES CONDITIONS GÉNÉRALES COMPLÈTES.

Pour les clients aux États-Unis et au Mexique: www.chauvetlighting.com/warranty-registration.

Pour les clients du Royaume-Uni, de la République d'Irlande, de la Belgique, des Pays-Bas, du Luxembourg, de la France et de l'Allemagne: www.chauvetlighting.eu/warranty-registration.

Chauvet garantit que cet appareil est exempt de défauts de matériaux et de fabrication dans des conditions normales d'utilisation, pendant la période spécifiée dans la garantie limitée complète consultable sur notre site Internet et sous réserve des exclusions et limitations qui y sont énoncées. Cette garantie ne s'applique qu'à l'acheteur initial du produit et n'est pas transférable. Pour exercer les droits prévus par cette garantie, vous devez fournir une preuve d'achat sous la forme d'un reçu de vente original d'un revendeur autorisé qui indique le nom du produit et la date d'achat. IL N'EXISTE AUCUNE AUTRE GARANTIE EXPRESSE OU IMPLICITE. Cette garantie vous confère des droits légaux spécifiques. Vous pouvez également bénéficier d'autres droits qui varient selon les états et les pays. Cette garantie n'est valable qu'aux États-Unis, au Royaume-Uni, en République d'Irlande, en Belgique, aux Pays-Bas, au Luxembourg, en France, en Allemagne et au Mexique. Pour connaître les conditions de garantie dans d'autres pays, veuillez consulter votre revendeur local.

Consignes de Sécurité

- Le luminaire doit être placé de manière à ce qu'il ne soit pas possible de le regarder de manière fixe à une distance inférieure à 7,55 pi (2,3 m).
- Si le câble ou le cordon flexible externe de ce luminaire est endommagé, il doit être remplacé par un câble ou cordon spécial disponible exclusivement auprès du fabricant ou de son prestataire de service.
- La source lumineuse contenue dans ce luminaire ne peut être remplacée que par le fabricant ou son prestataire de service ou une personne suffisamment qualifiée.
- Ce luminaire est uniquement réservé à un usage professionnel.
- N'ouvrez PAS cet appareil. Il ne contient aucun composant susceptible d'être réparé par l'utilisateur.
- Durant les périodes de non-utilisation, pour éviter toute usure inutile et pour prolonger la durée de vie, déconnectez entièrement l'appareil en le débranchant de l'alimentation électrique ou en coupant le disjoncteur.
- Ne regardez PAS la source lumineuse lorsque l'appareil fonctionne.
- ATTENTION: le boîtier de cet appareil est brûlant lors du fonctionnement.
- Montez toujours cet appareil dans un endroit bien ventilé, à au moins, 20 pouces (50 cm) des surfaces adjacentes.
- Ne laissez AUCUNE source inflammable dans un rayon de 20 cm de l'appareil lorsque celui-ci fonctionne.
- Attention : Lorsque l'appareil est transféré d'un environnement à température extrême à un autre (par exemple d'un camion froid vers une salle de bal chaude et humide), de la condensation peut se former sur les composants électriques internes. Pour éviter de causer des dommages, laissez l'appareil s'acclimater entièrement au milieu environnant avant de le mettre sous tension.
- Utilisez TOUJOURS un câble de sécurité lorsque vous montez cet appareil en hauteur.
- N'utilisez PAS cet appareil en extérieur ou tout autre endroit où de la poussière, une chaleur excessive, de l'eau ou de l'humidité pourrait en affecter le fonctionnement. (IP20)
- N'utilisez PAS cet appareil si le boîtier, les lentilles ou les câbles vous semblent endommagés.
- Ne connectez PAS cet appareil ni à un gradateur ni à un rhéostat.
- Connectez UNIQUEMENT cet appareil à un circuit protégé et relié à la terre.
- En cas de sérieux problèmes de fonctionnement, arrêtez le système immédiatement.
- La température ambiante maximale supportée par ce produit est de 113 °F (45 °C). Ne le faites pas fonctionner à des températures plus élevées.
- La température de démarrage minimale est de -20°C (-4°F). Ne pas démarrer l'appareil à des températures plus basses.
- La température ambiante minimale est de -30°C (-22°F). Ne pas utiliser l'appareil à des températures plus basses.

Conformité FCC

Cet appareil est conforme à la partie 15, sous-partie B du règlement de la FCC. L'utilisation est soumise aux deux conditions suivantes :

1. Cet appareil ne doit pas causer d'interférences nuisibles, et
2. Cet appareil doit accepter toutes les interférences reçues, y compris celles pouvant entraîner un fonctionnement indésirable.

Tout changement ou modification non expressément approuvé par l'autorité responsable de la conformité pourrait annuler le droit de l'utilisateur à utiliser l'équipement.

Contact

En dehors des États-Unis, du Royaume-Uni, de l'Irlande, du Benelux, de la France, de l'Allemagne, ou du Mexique, contactez votre fournisseur si vous avez besoin d'assistance ou pour retourner un appareil. Référez-vous à [Contact Us](#) à la fin de ce MdR pour obtenir des informations pour nous contacter.

Ce Qui est Inclus

- Ovation CYC 3 FC
- Cordon d'alimentation Seetronic Powerkon IP65
- 2 fixations Omega avec matériel de montage
- Manuel de Référence

Alimentation CA

Cet appareil est doté d'une alimentation universelle prenant en charge toute tension d'entrée comprise entre 100 et 240 VCA, 50/60 Hz.

Prise CA

Connexion	Câble (États-Unis)	Câble (Europe)	Couleur de la vis
Conducteur CA	Noir	Marron	Jaune/Cuivré
Neutre CA	Blanc	Bleu	Argenté
Terre CA	Vert/Jaune	Vert/Jaune	Vert



Durant les périodes de non-utilisation, pour éviter toute usure inutile et pour prolonger la durée de vie, déconnectez-entièrement l'appareil en le débranchant de l'alimentation électrique ou en coupant le disjoncteur.

Remplacement du Fusible

1. Débranchez l'appareil de l'alimentation.
2. À l'aide d'un tournevis à tête plate, dévissez le couvercle du porte-fusible du boîtier.
3. Retirez le fusil obsolète et remplacez-le par un fusible en bon état de même type et ampérage.
4. Revissez le couvercle du porte-fusible et rebranchez l'unité.

Raccordement DMX

Le Ovation CYC 3 FC fonctionnera avec une console DMX au moyen d'une connexion série DMX à 5 broches. Une introduction au DMX est à votre disposition sur www.chauvetprofessional.com.

Connexion DMX

Le Ovation CYC 3 FC utilise une connexion de données DMX standard pour ses personnalités DMX : **1Ch, 3Ch, 5Ch, 7Ch, 10Ch, 12Ch, 13Ch, 16Ch, 17Ch, 33Ch** et **HSV**. Consultez le Manuel d'Utilisation pour connecter et configurer le système DMX.

Connexion Maître/Esclave

Le Ovation CYC 3 FC utilise une connexion de données DMX pour son mode Maître/Esclave. Consultez le Manuel d'Utilisation pour connecter et configurer le mode de fonctionnement Maître/Esclave.

RDM (Gestion des périphériques à distance)

Le protocole RDM (gestion des périphériques à distance) est un standard pour la communication bidirectionnelle des appareils dotés de fonctions DMX dans un câblage DMX existant. Le Ovation CYC 3 FC supporte le protocole RDM permettant un retour d'information pour la surveillance et des changements des options de menu. Veuillez télécharger le manuel de l'utilisateur à partir du site internet www.chauvetprofessional.com pour plus de détails.

Mise à jour logicielle par USB

Le Ovation CYC 3 FC supporte une mise à jour logicielle par USB à l'aide du port USB intégré. Pour mettre à jour le logiciel à l'aide d'une clé USB, procédez comme suit:

1. Allumez l'appareil et branchez la clé USB dans le port USB.
2. Une fois que la clé USB a été détectée, le message « Upgrade Firmware » (mise à jour du micrologiciel) s'affiche. Appuyez sur **<ENTER>**.
 - Si un message différent apparaît à l'écran, recherchez le logiciel mis à jour dans le menu (**Update Firmware**) et sélectionnez parmi **Only This Unit**, **Multiple Units** ou **Other Fixture Type**. Une liste des fichiers logiciels de mise à jour s'affiche.
3. Sélectionnez le fichier à télécharger. Le message « Are you sure? » (êtes-vous sûr ?) s'affiche. Appuyez sur **<ENTER>**.
 - Si le fichier sélectionné est correct, la mise à niveau se termine. Redémarrez l'appareil. Si le fichier sélectionné est incorrect, la mise à niveau échoue et l'affichage revient au menu principal. Répétez les étapes 1 à 3 en utilisant le bon fichier.

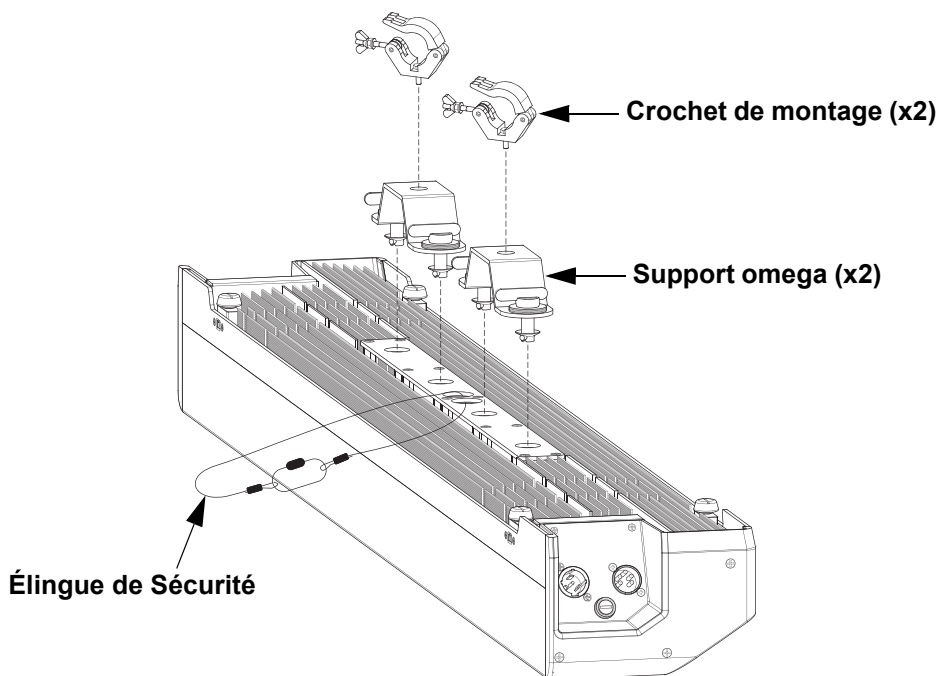


L'option « Other Fixture Type » ne peut être sélectionnée que pour les produits connectés compatibles avec le Upload 03 (les 2 premiers chiffres du code article doivent être 03).

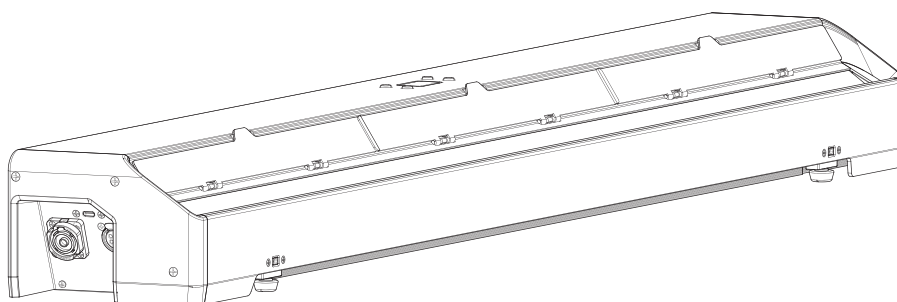
Installation

Avant de monter cet appareil, lisez et assimilez les [Consignes de Sécurité](#). Soyez sûr que les crochets sont capables de supporter le poids du produit. Pour voir notre gamme de crochets, rendez-vous sur <http://trusst.com/productcategory/truss-clamps>.

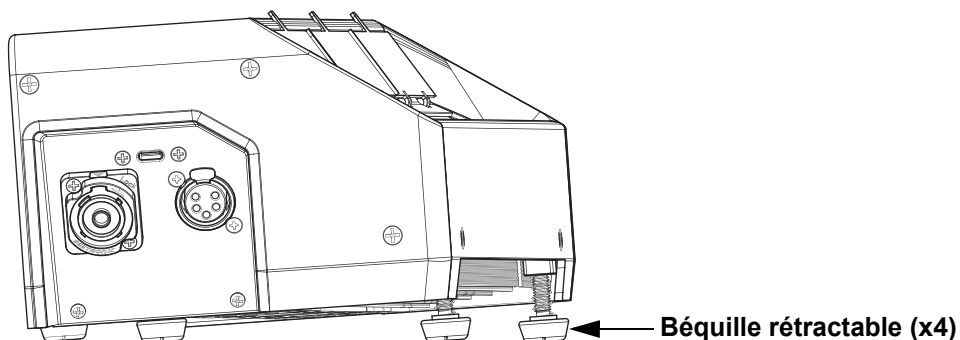
Schéma de Montage de l'Appareil



Montage en hauteur



Montage en surface



Roue de Couleurs Virtuelles (VCW)

Le Ovation CYC 3 FC dispose d'une fonction appelée Roue de Couleur Virtuelle (VCW - Virtual Color Wheel). Cette fonction est disponible en mode de contrôle autonome pour une utilisation manuelle mais également en tant que canal de contrôle dans certaines personnalités DMX. Plus de 30 couleurs pré-mélangées, personnalisées par nos ingénieurs, sont disponibles pour faciliter la programmation. Les valeurs DMX utilisées pour mélanger ces couleurs sont indiquées ci-dessous. Vous pouvez ajuster l'intensité globale du Ovation afin de reproduire plus fidèlement les couleurs que vous avez l'habitude d'utiliser. Un graphique est disponible sur notre site Web à l'adresse www.chauvetprofessional.com pour comparer nos couleurs pré-mélangées avec des couleurs de gel populaires. Ce tableau est fourni uniquement à des fins de comparaison et ne certifie pas que nos couleurs pré-mélangées correspondent aux couleurs de gel énumérées.

Gamme de couleurs

Valeurs DMX	Affichage à l'Écran	Valeur Rouge	Valeur Vert	Valeur Bleu	Valeur Ambre	Valeur Lime
000 ⇔ 005	--	000	000	000	000	000
006 ⇔ 013	C3050 - Md Yellow	233	163	020	123	255
014 ⇔ 021	C3040 - Lt Yellow	224	158	047	255	231
022 ⇔ 028	C3240 - Amb Yellow	180	060	000	245	255
029 ⇔ 035	C2340 - VLt Amber	245	107	081	255	213
036 ⇔ 043	C2040 - Lt Amber	230	130	062	255	155
044 ⇔ 051	C2050 - Md Amber	255	000	025	255	194
052 ⇔ 059	C2060 - Dk Amber	255	000	024	255	150
060 ⇔ 067	C1050 - Lt Red	255	037	027	030	038
068 ⇔ 075	C1080 - Md Red	255	004	017	000	000
076 ⇔ 083	C1020 - NC Pink	238	135	129	255	255
084 ⇔ 091	C1030 - Md Pink	255	131	120	255	195
092 ⇔ 099	C1630 - Dk Pink	255	165	123	255	210
100 ⇔ 107	C1250 - Md Red Amber	255	000	041	195	055
108 ⇔ 115	C1060 - Dk Red Amber	255	000	045	120	030
116 ⇔ 121	C1650 - Magenta	255	050	115	255	115
122 ⇔ 130	C6170 - Dk Magenta	255	035	117	000	000
131 ⇔ 138	C6020 - Lt Lavender	127	122	142	251	255
139 ⇔ 146	C5030 - Lt Blue	000	255	197	100	255
147 ⇔ 154	C5020 - VLt Blue	158	255	189	000	255
155 ⇔ 162	C5430 - Lt Blue 2	000	255	180	000	243
163 ⇔ 170	C5070 - Blue	043	255	210	043	036
171 ⇔ 178	C5050 - Md Blue	000	255	218	000	181
179 ⇔ 186	C5060 - Dk Blue	000	210	206	000	118
187 ⇔ 194	C5690 - Indigo	065	000	210	040	055
195 ⇔ 202	C5080 - Vdk Blue	000	203	230	000	040
203 ⇔ 210	C5081 - Vdk Blue2	040	199	240	000	045
211 ⇔ 218	C4370 - Yel Green	027	255	028	016	104
219 ⇔ 226	C4070 - Green	049	255	055	120	090
227 ⇔ 234	C4550 - Turquoise	060	230	109	000	245
235 ⇔ 242	C4560 - Aqua	020	240	126	036	255
243 ⇔ 250	C4570 - Blue Green	000	255	079	030	053
251 ⇔ 255	--	000	000	000	000	000



Les couleurs ci-dessus sont des rendus simulés de couleurs produits sur base des couleurs émises par les appareils à incandescence. Chauvet ne peut garantir l'exactitude du rendu d'une couleur.

Gamme des températures de couleur

Valeurs DMX	Affichage à l'Écran	Valeur Rouge	Valeur Vert	Valeur Bleu	Valeur Ambre	Valeur Lime
000 ⇔ 005	--	000	000	000	000	000
006 ⇔ 025	2800K	172	110	037	255	255
026 ⇔ 050	3000K	156	126	044	255	255
051 ⇔ 075	3200K	144	142	049	255	255
076 ⇔ 100	3500K	128	159	062	255	255
101 ⇔ 125	4000K	096	183	073	255	255
126 ⇔ 150	4500K	084	209	091	255	255
151 ⇔ 175	5000K	074	221	109	255	255
176 ⇔ 200	5600K	064	244	126	255	255
201 ⇔ 225	6000K	059	255	137	255	255
226 ⇔ 250	6500K	050	255	148	255	255
251 ⇔ 255	--	000	000	000	000	000



Les températures de couleur ci-dessus sont des rendus simulés de la sortie de couleur effectivement générée par comparaison avec une lampe tungstène à la température de couleur spécifiée. Chauvet ne donne aucune garantie sur la précision de la sortie de couleur.

Description du Tableau de Commandes

Bouton	Fonction
<MENU>	Permet la sortie du menu ou de la fonction en cours
<ENTER>	Permet l'affichage du menu en cours ou permet de configurer la valeur en cours dans la fonction sélectionnée
<UP>	Parcours les listes ou les menus vers le haut, augmente les valeurs numériques dans une fonction
<DOWN>	Parcours les listes ou les menus vers le bas, diminue les valeurs numériques dans une fonction

Code d'accès

Une fois affiché, saisissez le code d'accès suivant comme suit: <UP>, <DOWN>, <UP>, <DOWN>, <ENTER>. Ce code ne peut pas être modifié et doit être saisi sur demande.

Plan du Menu

Reportez-vous à la page du produit Ovation CYC 3 FC sur www.chauvetprofessional.com pour la dernière carte des menu.

Menu Principal	Niveaux de Programmation		Description	
DMX Address	001–512*		Sélectionne l'adresse de démarrage (*le canal le plus élevé est restreint à la personnalité choisie)	
DMX Channel	1Ch	Virtual Color Wheel	----- 1-canal: gradateur Voir Gamme de couleurs	
		Color Temperature	----- Voir Gamme des températures de couleur	
		Manual Color Mixer	Red	000–255 Combine les couleurs rouge, vert, bleu, ambre et lime pour un résultat personnalisé (0–100%)
			Green	
			Blue	
	Amber			
	Lime			
	3Ch	3-canaux: gradation, roue de couleur virtuelle, température de couleur		
	5Ch	5-canaux: RGBAL		
	7Ch	7-canaux: gradation, RGBAL, stroboscope		
	10Ch	10-canaux: gradation 16-bit, RGBAL, stroboscope, roue de couleur virtuelle, température de couleur		
	12Ch	12-canaux: gradation, RGBAL, stroboscope, roue de couleur virtuelle, température de couleur, programmes automatiques, vitesse automatique, contrôle		
	13Ch	13-canaux: gradation 16-bit, RGBAL 16-bit, stroboscope		
16Ch	16-canaux: gradation 16-bit, RGBAL 16-bit, stroboscope, roue de couleur virtuelle, température de couleur, contrôle			
17Ch	17-canaux: gradation, 3 cellules RGBAL, stroboscope			
33Ch	17-canaux: gradation 16-bit, 16-bit 3 cellules RGBAL, stroboscope			
HSV	3-canaux: commande HSV			

Menu Principal	Niveaux de Programmation		Description					
Virtual Color Wheel	Virtual Color Wheel	C3050 - Md Yellow	Dimmer 000–255	Roue de Couleurs Virtuelles (VCW) simule le rendu des gélamines de couleur. Consultez la section Gamme de couleurs pour en connaître les valeurs spécifiques.				
		C3040 - Lt Yellow						
		C3240 - Amb Yellow						
		C2340 - VLt Amber						
		C2040 - Lt Amber						
		C2050 - Md Amber						
		C2060 - Dk Amber						
		C1050 - Lt Red						
		C1080 - Md Red						
		C1020 - NC Pink						
		C1030 - Md Pink						
		C1630 - Dk Pink						
		C1250 - Md Red Amber						
		C1060 - Dk Red Amber						
		C1650 - Magenta						
		C6170 - Dk Magenta						
		C6020 - Lt Lavender						
		C5030 - Lt Blue						
		C5020 - VLt Blue						
		C5430 - Lt Blue 2						
		C5070 - Blue						
		C5050 - Md Blue						
		C5060 - Dk Blue						
		C5690 - Indigo						
		C5080 - VDk Blue						
		C5081 - VDk Blue 2						
		C4370 - Yel Green						
		C4070 - Green						
		C4550 - Turquoise						
		C4560 - Aqua						
		C4570 - Blue Green						
		Color Temperature			Color Temperature	2800K	Dimmer 000–255	Températures de couleur de blanc prédéfinies. Simule une lampe tungstène à la température de couleur spécifiée. Consultez la section Gamme des températures de couleur pour les valeurs spécifiques
						3000K		
3200K								
3500K								
4000K								
4500K								
5000K								
5600K								
6000K								
6500K								
Manual Color Mixer	Manual Color Mixer	Red	000–255	Combine les couleurs rouge, vert, bleu, ambre et lime pour un résultat personnalisé (0–100%)				
		Green						
		Blue						
		Amber						
		Lime						

Menu Principal	Niveaux de Programmation		Description	
Virtual Color Wheel (suite)	Color X-Fade Speed	Off	Fondu enchaîné de la Roue de Couleurs Virtuelles éteint	
		X-Fade Speed 1	Vitesse de fondu enchaîné de la Roue de Couleurs Virtuelles, rapide (1) à lent (4)	
		X-Fade Speed 2		
		X-Fade Speed 3		
		X-Fade Speed 4		
Auto Show	Auto 1	Speed 001–100	Sélectionne les programmes automatiques et vitesse auto	
	Auto 2			
	Auto 3			
	Auto 4			
	Auto 5			
Red Shift	On		Active ou désactive la fonction passe au rouge (les LED ambre imitent une lampe lors de la gradation)	
	Off			
Master/Slave	Master		Mode maître	
	Slave		Mode esclave	
Dimmer Curve	S Curve		Définir la courbe de gradation	
	Linear			
	Square			
	Inverse Square			
Dimmer Mode	Off		Assombrissement linéaire	
	Dimmer 1		Courbe de gradation rapide	
	Dimmer 2		Courbe de gradation intermédiaire	
	Dimmer 3		Courbe d'assombrissement lente	
White Balance	Off		Utilise le paramétrage de blanc défini en usine	
	Manual	Red	125–255	Définit la valeur maximale de LED rouge
		Green		Définit la valeur maximale de LED verte
		Blue		Définit la valeur maximale de LED bleue
		Amber		Définit la valeur maximale de LED ambre
		Lime		Définit la valeur maximale de LED lime
LED Frequency	600Hz		Permet de sélectionner la fréquence de sortie MLI	
	1200Hz			
	2000Hz			
	4000Hz			
	6000Hz			
	25KHz			
Back Light	10S		Désactive l'affichage rétro-éclairage après 10 secondes d'inactivité	
	30S		Désactive l'affichage rétro-éclairage après 30 secondes d'inactivité	
	2Min		Désactive l'affichage rétro-éclairage après 2 minutes d'inactivité	
	Always On		Affichage rétro-éclairage toujours active	
Information	Fixture Hours	--- H	Affiche le nombre total des heures du produit	
	LED Hours	--- H	Affiche le nombre total des heures du LED	
	Version	V_--	Affiche la version du logiciel installée	
	UID	-----	Affiche UID actuel #	

Menu Principal	Niveaux de Programmation		Description
Temperature	Temp A	-- °C	Affiche les températures actuelles du produit
	Temp B	-- °C	
	Temp C	-- °C	
Upgrade Firmware	Only This Fixture	-----CHL	Sélectionne un fichier de mise à jour pour ce produit, ou affiche « No such file! »
		...	
	Multiple Fixture	-----CHL	Sélectionne un fichier de mise à jour pour ce produit et des produits Ovation CYC 3 FC connectés, ou affiche « No such file! »
		...	
Other Fixture Type	-----CHL	Sélectionne un fichier de mise à jour pour les autres produits connectés, ou affiche « No such file! »	
	...		
Factory Reset	No		Permet de réinitialiser aux valeurs par défaut d'usine
	Yes		

Valeurs DMX

HSV

Canal	Fonction	Valeur	Pourcentage/Configuration
1	Teintes	000 ⇔ 255	0–100%
2	Saturation	000 ⇔ 255	0–100%
3	Valeur	000 ⇔ 255	0–100%

33Ch

Canal	Fonction	Valeur	Pourcentage/Configuration
1	Gradateur	000 ⇔ 255	0–100%
2	Gradateur fin	000 ⇔ 255	0–100%
3	Rouge 1	000 ⇔ 255	0–100%
4	Rouge fin 1	000 ⇔ 255	0–100%
5	Vert 1	000 ⇔ 255	0–100%
6	Vert fin 1	000 ⇔ 255	0–100%
7	Bleu 1	000 ⇔ 255	0–100%
8	Bleu fin 1	000 ⇔ 255	0–100%
9	Ambre 1	000 ⇔ 255	0–100%
10	Ambre fin 1	000 ⇔ 255	0–100%
11	Lime 1	000 ⇔ 255	0–100%
12	Lime fin 1	000 ⇔ 255	0–100%
13	Rouge 2	000 ⇔ 255	0–100%
14	Rouge fin 2	000 ⇔ 255	0–100%
15	Vert 2	000 ⇔ 255	0–100%
16	Vert fin 2	000 ⇔ 255	0–100%
17	Bleu 2	000 ⇔ 255	0–100%
18	Bleu fin 2	000 ⇔ 255	0–100%
19	Ambre 2	000 ⇔ 255	0–100%
20	Ambre fin 2	000 ⇔ 255	0–100%
21	Lime 2	000 ⇔ 255	0–100%
22	Lime fin 2	000 ⇔ 255	0–100%
23	Rouge 3	000 ⇔ 255	0–100%
24	Rouge fin 3	000 ⇔ 255	0–100%

Canal	Fonction	Valeur	Pourcentage/Configuration
25	Vert 3	000 ⇔ 255	0–100%
26	Vert fin 3	000 ⇔ 255	0–100%
27	Bleu 3	000 ⇔ 255	0–100%
28	Bleu fin 3	000 ⇔ 255	0–100%
29	Ambre 3	000 ⇔ 255	0–100%
30	Ambre fin 3	000 ⇔ 255	0–100%
31	Lime 3	000 ⇔ 255	0–100%
32	Lime fin 3	000 ⇔ 255	0–100%
33	Stroboscope	000 ⇔ 010 011 ⇔ 255	Pas de fonction Stroboscope, lent à rapide

17Ch

Canal	Fonction	Valeur	Pourcentage/Configuration
1	Gradateur	000 ⇔ 255	0–100%
2	Rouge 1	000 ⇔ 255	0–100%
3	Vert 1	000 ⇔ 255	0–100%
4	Bleu 1	000 ⇔ 255	0–100%
5	Ambre 1	000 ⇔ 255	0–100%
6	Lime 1	000 ⇔ 255	0–100%
7	Rouge 2	000 ⇔ 255	0–100%
8	Vert 2	000 ⇔ 255	0–100%
9	Bleu 2	000 ⇔ 255	0–100%
10	Ambre 2	000 ⇔ 255	0–100%
11	Lime 2	000 ⇔ 255	0–100%
12	Rouge 3	000 ⇔ 255	0–100%
13	Vert 3	000 ⇔ 255	0–100%
14	Bleu 3	000 ⇔ 255	0–100%
15	Ambre 3	000 ⇔ 255	0–100%
16	Lime 3	000 ⇔ 255	0–100%
17	Stroboscope	000 ⇔ 010 011 ⇔ 255	Pas de fonction Stroboscope, lent à rapide

16Ch

Canal	Fonction	Valeur	Pourcentage/Configuration
1	Gradateur	000 ⇔ 255	0–100%
2	Gradateur fin	000 ⇔ 255	0–100%
3	Rouge	000 ⇔ 255	0–100%
4	Rouge fin	000 ⇔ 255	0–100%
5	Vert	000 ⇔ 255	0–100%
6	Vert fin	000 ⇔ 255	0–100%
7	Bleu	000 ⇔ 255	0–100%
8	Bleu fin	000 ⇔ 255	0–100%
9	Ambre	000 ⇔ 255	0–100%
10	Ambre fin	000 ⇔ 255	0–100%
11	Lime	000 ⇔ 255	0–100%
12	Lime fin	000 ⇔ 255	0–100%
13	Stroboscope	000 ⇔ 010	Pas de fonction
		011 ⇔ 255	Stroboscope, lent à rapide
14	Roue de Couleurs Virtuelles	000 ⇔ 255	Voir la Gamme de couleurs
15	Température de la Couleur	000 ⇔ 255	Voir la Gamme des températures de couleur
16	Contrôle (maintenez fin pendant 3 secondes)	000 ⇔ 007	Pas de fonction
		008 ⇔ 015	Réinitialisation du gradateur
		016 ⇔ 023	Décalage rouge activé
		024 ⇔ 031	Décalage rouge désactivé
		032 ⇔ 039	Courbe de gradateur S-courbe
		040 ⇔ 047	Courbe de gradateur linéaire
		048 ⇔ 055	Courbe de gradateur carré
		056 ⇔ 063	Courbe de gradateur carré inversé
		064 ⇔ 071	Arrêt du mode de vitesse d'assombrissement
		072 ⇔ 079	Mode 1 de vitesse d'assombrissement (rapide)
		080 ⇔ 087	Mode 2 de vitesse d'assombrissement
		088 ⇔ 095	Mode 3 de vitesse d'assombrissement (lente)
		096 ⇔ 127	Réservé pour une utilisation future
		128 ⇔ 135	Fondu enchaîné de la Roue de Couleurs Virtuelles éteint
		136 ⇔ 143	Vitesse de fondu enchaîné de la VCW 1 (rapide)
		144 ⇔ 151	Vitesse de fondu enchaîné de la VCW 2
		152 ⇔ 159	Vitesse de fondu enchaîné de la VCW 3
160 ⇔ 167	Vitesse de fondu enchaîné de la VCW 4 (lente)		
168 ⇔ 255	Réservé pour une utilisation future		

FR

13Ch

Canal	Fonction	Valeur	Pourcentage/Configuration
1	Gradateur	000 ⇔ 255	0–100%
2	Gradateur fin	000 ⇔ 255	0–100%
3	Rouge	000 ⇔ 255	0–100%
4	Rouge fin	000 ⇔ 255	0–100%
5	Vert	000 ⇔ 255	0–100%
6	Vert fin	000 ⇔ 255	0–100%
7	Bleu	000 ⇔ 255	0–100%
8	Bleu fin	000 ⇔ 255	0–100%
9	Ambre	000 ⇔ 255	0–100%
10	Ambre fin	000 ⇔ 255	0–100%
11	Lime	000 ⇔ 255	0–100%
12	Lime fin	000 ⇔ 255	0–100%
13	Stroboscope	000 ⇔ 010 011 ⇔ 255	Pas de fonction Stroboscope, lent à rapide

12Ch

Canal	Fonction	Valeur	Pourcentage/Configuration
1	Gradateur	000 ⇔ 255	0–100%
2	Rouge	000 ⇔ 255	0–100%
3	Vert	000 ⇔ 255	0–100%
4	Bleu	000 ⇔ 255	0–100%
5	Ambre	000 ⇔ 255	0–100%
6	Lime	000 ⇔ 255	0–100%
7	Stroboscope	000 ⇔ 010 011 ⇔ 255	Pas de fonction Stroboscope, lent à rapide
8	Roue de Couleurs Virtuelles	000 ⇔ 255	Voir la Gamme de couleurs
9	Température de la Couleur	000 ⇔ 255	Voir la Gamme des températures de couleur
10	Programme automatique	000 ⇔ 010 011 ⇔ 060 061 ⇔ 110 111 ⇔ 160 161 ⇔ 210 211 ⇔ 255	Pas de fonction Auto 1 Auto 2 Auto 3 Auto 4 Auto 5 (Auto 1–4)
11	Vitesse automatique	000 ⇔ 255	Vitesse automatique, lente à rapide

Canal	Fonction	Valeur	Pourcentage/Configuration
12	Contrôle (maintenez pendant 3 secondes)	000 ⇔ 007	Pas de fonction
		008 ⇔ 015	Réinitialisation du gradateur
		016 ⇔ 023	Décalage rouge activé
		024 ⇔ 031	Décalage rouge désactivé
		032 ⇔ 039	Courbe de gradateur S-courbe
		040 ⇔ 047	Courbe de gradateur linéaire
		048 ⇔ 055	Courbe de gradateur carré
		056 ⇔ 063	Courbe de gradateur carré inversé
		064 ⇔ 071	Arrêt du mode de vitesse d'assombrissement
		072 ⇔ 079	Mode 1 de vitesse d'assombrissement (rapide)
		080 ⇔ 087	Mode 2 de vitesse d'assombrissement
		088 ⇔ 095	Mode 3 de vitesse d'assombrissement (lente)
		096 ⇔ 127	Réservé pour une utilisation future
		128 ⇔ 135	Fondu enchaîné de la Roue de Couleurs Virtuelles éteint
		136 ⇔ 143	Vitesse de fondu enchaîné de la VCW 1 (rapide)
		144 ⇔ 151	Vitesse de fondu enchaîné de la VCW 2
		152 ⇔ 159	Vitesse de fondu enchaîné de la VCW 3
160 ⇔ 167	Vitesse de fondu enchaîné de la VCW 4 (lente)		
168 ⇔ 255	Réservé pour une utilisation future		

10Ch

Canal	Fonction	Valeur	Pourcentage/Configuration
1	Gradateur	000 ⇔ 255	0–100%
2	Gradateur fin	000 ⇔ 255	0–100%
3	Rouge	000 ⇔ 255	0–100%
4	Vert	000 ⇔ 255	0–100%
5	Bleu	000 ⇔ 255	0–100%
6	Ambre	000 ⇔ 255	0–100%
7	Lime	000 ⇔ 255	0–100%
8	Stroboscope	000 ⇔ 010	Pas de fonction
		011 ⇔ 255	Stroboscope, lent à rapide
9	Roue de Couleurs Virtuelles	000 ⇔ 255	Voir la Gamme de couleurs
10	Température de la Couleur	000 ⇔ 255	Voir la Gamme des températures de couleur

7Ch

Canal	Fonction	Valeur	Pourcentage/Configuration
1	Gradateur	000 ⇔ 255	0–100%
2	Rouge	000 ⇔ 255	0–100%
3	Vert	000 ⇔ 255	0–100%
4	Bleu	000 ⇔ 255	0–100%
5	Ambre	000 ⇔ 255	0–100%
6	Lime	000 ⇔ 255	0–100%
7	Stroboscope	000 ⇔ 010	Pas de fonction
		011 ⇔ 255	Stroboscope, lent à rapide

FR

5Ch

Canal	Fonction	Valeur	Pourcentage/Configuration
1	Rouge	000 ⇔ 255	0–100%
2	Vert	000 ⇔ 255	0–100%
3	Bleu	000 ⇔ 255	0–100%
4	Ambre	000 ⇔ 255	0–100%
5	Lime	000 ⇔ 255	0–100%

3Ch

Canal	Fonction	Valeur	Pourcentage/Configuration
1	Gradateur	000 ⇔ 255	0–100%
2	Roue de Couleurs Virtuelles	000 ⇔ 255	Voir la Gamme de couleurs
3	Température de la Couleur	000 ⇔ 255	Voir la Gamme des températures de couleur

1Ch

Canal	Fonction	Valeur	Pourcentage/Configuration
1	Gradateur	000 ⇔ 255	0–100% (couleur définie par le menu)

Über diese Schnellanleitung

In der Schnellanleitung des Ovation CYC 3 FC finden Sie die wesentlichen Produktinformationen, wie etwa über die Montage, Menüoptionen und DMX-Werte des Geräts. Laden Sie für weiterführende Informationen unter www.chauvetprofessional.com das Benutzerhandbuch herunter.

Haftungsausschluss

Die in dieser Anleitung aufgeführten Informationen und Spezifikationen können ohne vorherige Ankündigung geändert werden.

EINGESCHRÄNKTE GARANTIE

ZUR REGISTRIERUNG FÜR GARANTIEANSPRÜCHE UND ZUR EINSICHT IN DIE VOLLSTÄNDIGEN GESCHÄFTSBEDINGUNGEN BESUCHEN SIE BITTE UNSERE WEBSITE.

Für Kunden in den USA und in Mexiko: www.chauvetlighting.com/warranty-registration.

Für Kunden im Vereinigten Königreich, in Irland, Belgien, den Niederlanden, Luxemburg, Frankreich und Deutschland: www.chauvetlighting.eu/warranty-registration.

Chauvet garantiert für die in der auf unserer Website veröffentlichten vollständigen eingeschränkten Garantie genannten Dauer und unter Vorbehalt der darin genannten Haftungsausschlüsse und -beschränkungen, dass dieses Produkt bei normalen Gebrauch frei von Material- und Verarbeitungsfehlern ist. Diese Garantie erstreckt sich nur auf den Erstkäufer des Produkts und ist nicht übertragbar. Zur Ausübung der unter dieser Garantie gewährten Rechte ist der Kaufbeleg in Form der Originalrechnung von einem autorisierten Händler vorzulegen, in der die Produktbezeichnung und das Kaufdatum vermerkt sein müssen. **ES BESTEHEN KEINE WEITEREN AUSDRÜCKLICHEN ODER STILLSCHWEIGENDEN GARANTIEN.** Diese Garantie gibt Ihnen besondere gesetzliche Rechte. Und Sie haben möglicherweise weitere Rechte, die von Land zu Land unterschiedlich sein können. Diese Garantie ist nur in den USA, im Vereinigten Königreich, in Irland, Belgien, den Niederlanden, Luxemburg, Frankreich, Deutschland und Mexiko gültig. Bezüglich der Garantiebestimmungen in anderen Ländern wenden Sie sich bitte an Ihren lokalen Händler.

Sicherheitshinweise

- Die Leuchte sollte so positioniert werden, dass ein langes starres Schauen in die Leuchte in einem Abstand von weniger als 7,55 Fuß (2,3 m) nicht zu erwarten ist.
- Ist das externe flexible Kabel dieser Leuchte beschädigt, muss es durch ein gleichwertiges Kabel oder ein ausschließlich vom Hersteller oder dessen Vertriebspartner erhältliches Kabel ersetzt werden.
- Das in dieser Leuchte enthaltene Leuchtmittel darf nur vom Hersteller oder dessen Vertriebspartner oder einer ähnlich qualifizierten Person ausgetauscht werden.
- Die Leuchte ist ausschließlich für den professionellen Einsatz bestimmt.
- Dieses Gerät NICHT öffnen. Die eingebauten Komponenten sind für den Kunden wartungsfrei.
- Um Verschleiß zu vermeiden und die Dauer des Geräts zu verlängern, trennen Sie während längerer Perioden des Nichtgebrauchs das Gerät vom Strom – entweder per Schalter oder durch Herausziehen des Steckers aus.
- NIEMALS in die Lichtquelle schauen, während das Gerät eingeschaltet ist.
- VORSICHT: Das Gehäuse dieses Produkts kann während des Betriebs heiß werden. Installieren Sie das Gerät an einem Ort mit ausreichender Belüftung und mit einem Abstand von mindestens 20 Zoll (50 cm) zu den angrenzenden Flächen.
- Belassen Sie KEINE entflammaren Materialien in einem Umkreis von 20 cm dieses Geräts, während es in Betrieb oder an der Stromversorgung angeschlossen ist.
- VORSICHT: Beim Transport des Geräts von einer Umgebung mit außergewöhnlichen Temperaturen in eine andere solche Umgebung (z. B. aus einem kalten Transporter in einen warm-feuchten Ballsaal) kann an der im Gerät enthaltenen Elektronik Wasser kondensieren. Um einen Defekt zu vermeiden, muss sich das Gerät erst in der neuen Umgebung akklimatisiert haben, bevor es an die Stromversorgung angeschlossen werden kann.
- VERWENDEN Sie bei Montage über Kopf immer ein Sicherheitsseil.
- Nehmen sie das Gerät NICHT im Freien oder an einem Ort in Betrieb, der durch Staubentwicklung, übermäßige Hitze, Wasser oder hohe Luftfeuchtigkeit charakterisiert ist. (IP20)
- NIEMALS das Gerät in Betrieb nehmen, wenn Ihnen das Gehäuse, die Linsen oder das Kabel beschädigt erscheinen.
- Schließen Sie dieses Gerät NICHT an einen Dimmer oder Regelwiderstand an.
- Schließen Sie dieses Produkt NUR an einen mit der Erde verbundenen und geschützten Stromkreis an.
- Bei ernsthaften Betriebsproblemen stoppen Sie umgehend die Verwendung des Geräts.
- Die maximal zulässige Umgebungstemperatur beträgt 45 °C. Nehmen Sie das Gerät nicht bei höheren Temperaturen in Betrieb.
- Die zulässige Mindesttemperatur für den Start beträgt -20 °C. Starten Sie das Gerät nicht bei niedrigeren Temperaturen.
- Die minimal zulässige Umgebungstemperatur beträgt -30 °C. Nehmen Sie das Gerät nicht bei niedrigeren Temperaturen in Betrieb.

FCC-Konformität

Dieses Gerät erfüllt Teil 15, Teil B, der FCC-Bestimmungen. Der Betrieb ist an folgende zwei Bedingungen geknüpft:

1. Dieses Gerät darf keine schädlichen Interferenzen verursachen, und
2. Dieses Gerät muss empfangende Interferenzen aufnehmen können, auch Interferenzen, die eventuell einen unerwünschten Betrieb verursachen.

Jegliche Änderungen oder Modifikationen, die nicht ausdrücklich von der Partei genehmigt wurden, die für die Compliance zuständig ist, könnten die Berechtigung des Benutzers zum Betrieb dieses Geräts aufheben.

Kontakt

Kunden außerhalb der USA, GB, Irland, Benelux, Frankreich, Deutschland oder Mexiko wenden sich an ihren Lieferanten, um den Kundensupport in Anspruch zu nehmen oder ein Produkt zurückzuschicken. Kontaktinformationen finden Sie im [Contact Us](#) am Ende dieses QRG.

Packungsinhalt

- Ovation CYC 3 FC
- 2 Omega-Hängebügel mit Montagematerial
- Seetronic Powerkon IP65 Netzkabel
- Schnellanleitung

Wechselstrom

Dieses Gerät verfügt über ein Vorschaltgerät, das automatisch die anliegende Spannung erkennt, sobald der Netzstecker in die Schukosteckdose gesteckt wird, und kann mit einer Eingangsspannung von 100~240 V AC, 50/60 Hz arbeiten.

Wechselstromstecker

Anschluss	Draht (USA)	Draht (Europa)	Schraubenfarbe
Stromführender AC-Leiter	Schwarz	Braun	Gelb/Messingfarben
AC-Neutralleiter	Weiß	Blau	Silber
AC-Erdungsleiter	Grün/Gelb	Grün/Gelb	Grün



Um unnötigen Verschleiß zu vermeiden und die Lebensdauer des Geräts zu verlängern, trennen Sie während längerer Perioden des Nichtgebrauchs das Gerät vom Stromnetz – entweder per Trennschalter oder durch Herausziehen des Steckers aus der Steckdose.

Auswechseln der Sicherung

1. Trennen Sie das Gerät vom Stromnetz.
2. Mit einem Flachkopfschraubendreher lösen Sie die Abdeckung des Sicherungshalters vom Gehäuse.
3. Entfernen Sie die durchgebrannte Sicherung, und ersetzen Sie diese durch eine Sicherung des gleichen Typs und mit den gleichen Werten.
4. Schrauben Sie die Abdeckung der Sicherung wieder ein, und schließen Sie das Gerät wieder an das Stromnetz an.

DMX-Verbindung

Der Ovation CYC 3 FC kann mit einem DMX-Controller betrieben werden, wenn eine 5-polige DMX-Serienschaltung zum Einsatz kommt. Sie können sich eine Einführung in DMX unter www.chauvetprofessional.com herunterladen.

DMX-Anschluss

Der Ovation CYC 3 FC nutzt zur seiner Kontrollpersönlichkeiten: **1Ch, 3Ch, 5Ch, 7Ch, 10Ch, 12Ch, 13Ch, 16Ch, 17Ch, 33Ch** und **HSV** eine 5-polige DMX-Datenverbindung. Informationen zum Anschließen und Konfigurieren des Geräts für einen DMX-Betrieb finden Sie in der Bedienungsanleitung.

Master/Slave-Schaltung

Der Ovation CYC 3 FC verwendet für seinen Master/Slave-Modus eine DMX-Datenverbindung. Informationen zum Anschließen und Konfigurieren des Geräts für einen Master/Slave-Betrieb finden Sie in der Bedienungsanleitung.

RDM (Remote Device Management)

Remote Device Management bzw. RDM ist ein Standard, mit dem DMX-aktivierte Geräte bidirektional entlang bestehender DMX-Kabel kommunizieren können. Lesen Sie die Bedienungsanleitung des DMX-Controllers oder wenden Sie sich an den Hersteller, da nicht alle DMX-Controller über diese Funktion verfügt. Der Ovation CYC 3 FC unterstützt das RDM-Protokoll, das ein Feedback zur Vornahme von Änderungen der Menüoptionen erlaubt. Laden Sie für weiterführende Informationen unter www.chauvetprofessional.com das Benutzerhandbuch herunter.

Software via USB

Das Gerät Ovation CYC 3 FC ermöglicht ein Softwareupdate über USB unter Verwendung des integrierten USB-Anschlusses. Zur Aktualisierung der Software mit einem USB-Stick gehen Sie wie folgt vor:

1. Schalten Sie das Gerät an und stecken Sie den Stick in den USB-Anschluss.
2. Sobald der Stick erkannt worden ist, erscheint die Meldung „Upgrade Firmware“ (Firmware aktualisieren).
 - Wird eine andere Meldung angezeigt, suchen Sie im Menü („**Update Firmware**“) nach der aktualisierten Software und aus **Only This Unit, Multiple Units** oder **Other Fixture Type** auswählen. Es wird eine Liste der aktualisierten Software angezeigt.
3. Wählen Sie die hochzuladende Datei aus. Es wird die Meldung „Are you sure“ (Sind Sie sicher?) angezeigt. Betätigen Sie **<ENTER>**.
4. Ist die ausgewählte Datei korrekt, wird das Upgrade abgeschlossen. Starten Sie das Gerät neu.
 - Ist die ausgewählte Datei falsch, wird das Upgrade nicht ausgeführt und es wird wieder das Hauptmenü angezeigt. Wiederholen Sie die Schritte 1 bis 3 mit der korrekten Datei.

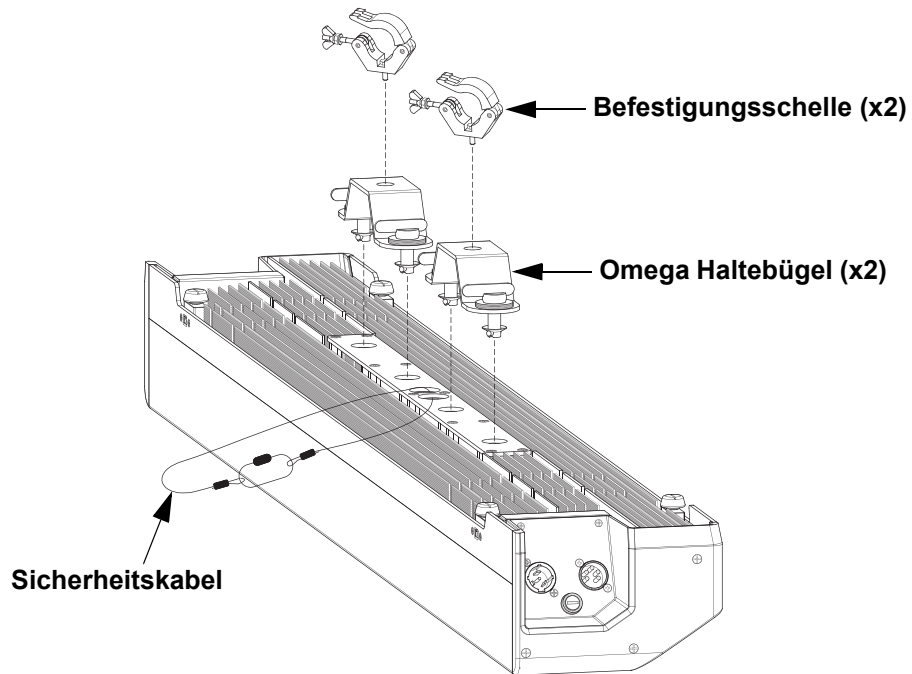


Die Option „Other Fixture Type“ kann nur für verbundene Produkte ausgewählt werden, die mit dem Upload 03 kompatibel sind (die ersten 2 Ziffern des Artikelcodes müssen 03 sein).

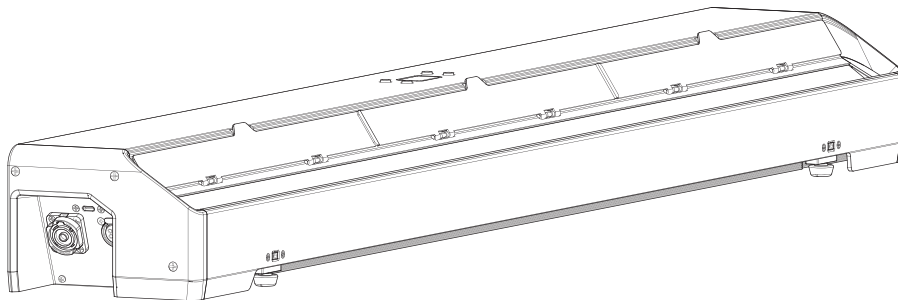
Montage

Lesen Sie vor der Montage dieses Geräts die [Sicherheitshinweise](#) durch. Stellen Sie sicher, dass die Befestigungsklemmen dafür ausgelegt sind, das Produktgewicht tragen zu können. Informationen zu unserer CHAUVET-Produktlinie für Befestigungsklemmen finden Sie unter <http://trusst.com/productcategory/truss-clamps>.

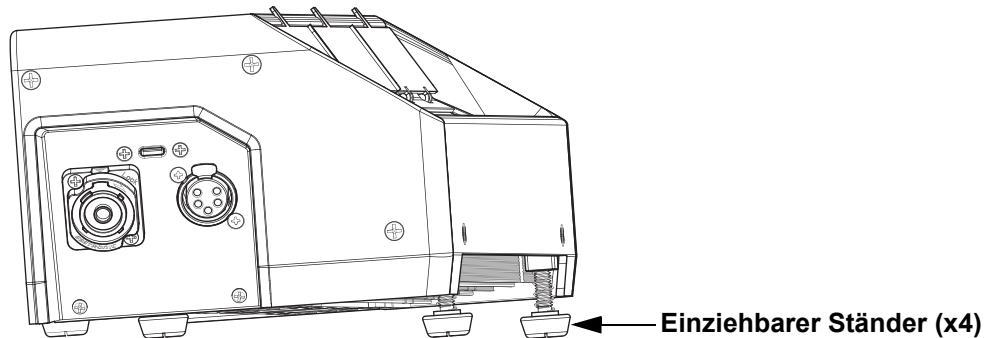
Montageansicht



Montage über Kopf



Oberflächenmontage



Virtuelles Farbrad (VCW)

Der Ovation CYC 3 FC verfügt über eine Funktion mit der Bezeichnung Virtuelles Farbrad (Virtual Color Wheel, VCW). Diese Funktion steht als Stand-alone-Steuerungsmodus für die manuelle Bedienung sowie als Steuerungskanal bei ausgewählten DMX-Eigenschaften zur Verfügung. Es sind mehr als 30 von unseren Technikern vor gemischte Farben verfügbar, um die Programmierung einfacher zu gestalten. Die zum Mischen dieser Farben verwendeten DMX-Werte sind nachstehend angegeben. Sie können die Gesamtintensität des Ovation anpassen, um die Farben, mit denen Sie vertraut sind, besser nachzubilden. Auf unserer Website www.chauvetprofessional.com finden Sie eine Tabelle, mit deren Hilfe Sie unsere vor gemischten Farben mit beliebigen Gel-Farben vergleichen können. Diese Tabelle dient einzig Vergleichszwecken und ist keine Gewähr dafür, dass unsere vor gemischten Farben mit einer der aufgeführten Gel-Farben übereinstimmen.


Tabelle: Virtuelles Farbrad

DMX-Wert	Anzeige auf Display	Roter Wert	Grüner Wert	Blauer Wert	Bernsteinfarbener Wert	Neongrüner Wert
000 ⇔ 005	--	000	000	000	000	000
006 ⇔ 013	C3050 - Md Yellow	233	163	020	123	255
014 ⇔ 021	C3040 - Lt Yellow	224	158	047	255	231
022 ⇔ 028	C3240 - Amb Yellow	180	060	000	245	255
029 ⇔ 035	C2340 - V Lt Amber	245	107	081	255	213
036 ⇔ 043	C2040 - Lt Amber	230	130	062	255	155
044 ⇔ 051	C2050 - Md Amber	255	000	025	255	194
052 ⇔ 059	C2060 - Dk Amber	255	000	024	255	150
060 ⇔ 067	C1050 - Lt Red	255	037	027	030	038
068 ⇔ 075	C1080 - Md Red	255	004	017	000	000
076 ⇔ 083	C1020 - NC Pink	238	135	129	255	255
084 ⇔ 091	C1030 - Md Pink	255	131	120	255	195
092 ⇔ 099	C1630 - Dk Pink	255	165	123	255	210
100 ⇔ 107	C1250 - Md Red Amber	255	000	041	195	055
108 ⇔ 115	C1060 - Dk Red Amber	255	000	045	120	030
116 ⇔ 121	C1650 - Magenta	255	050	115	255	115
122 ⇔ 130	C6170 - Dk Magenta	255	035	117	000	000
131 ⇔ 138	C6020 - Lt Lavender	127	122	142	251	255
139 ⇔ 146	C5030 - Lt Blue	000	255	197	100	255
147 ⇔ 154	C5020 - V Lt Blue	158	255	189	000	255
155 ⇔ 162	C5430 - Lt Blue 2	000	255	180	000	243
163 ⇔ 170	C5070 - Blue	043	255	210	043	036
171 ⇔ 178	C5050 - Md Blue	000	255	218	000	181
179 ⇔ 186	C5060 - Dk Blue	000	210	206	000	118
187 ⇔ 194	C5690 - Indigo	065	000	210	040	055
195 ⇔ 202	C5080 - V Dk Blue	000	203	230	000	040
203 ⇔ 210	C5081 - V Dk Blue 2	040	199	240	000	045
211 ⇔ 218	C4370 - Yel Green	027	255	028	016	104
219 ⇔ 226	C4070 - Green	049	255	055	120	090
227 ⇔ 234	C4550 - Turquoise	060	230	109	000	245
235 ⇔ 242	C4560 - Aqua	020	240	126	036	255
243 ⇔ 250	C4570 - Blue Green	000	255	079	030	053
251 ⇔ 255	--	000	000	000	000	000

 Die oben genannten Farben sind simulierte Ähnlichkeiten der Farbausgabe im Vergleich zu anderen, ähnlich Weißglühenden Produkten. Chauvet gibt keine Gewährleistung bezüglich der Genauigkeit der Farbausgabe.

Farbtemperatur-Tabelle

DMX-Wert	Anzeige auf Display	Roter Wert	Grüner Wert	Blauer Wert	Bernsteinfarbener Wert	Neongrüner Wert
000 ⇔ 005	--	000	000	000	000	000
006 ⇔ 025	2800K	172	110	037	255	255
026 ⇔ 050	3000K	156	126	044	255	255
051 ⇔ 075	3200K	144	142	049	255	255
076 ⇔ 100	3500K	128	159	062	255	255
101 ⇔ 125	4000K	096	183	073	255	255
126 ⇔ 150	4500K	084	209	091	255	255
151 ⇔ 175	5000K	074	221	109	255	255
176 ⇔ 200	5600K	064	244	126	255	255
201 ⇔ 225	6000K	059	255	137	255	255
226 ⇔ 250	6500K	050	255	148	255	255
251 ⇔ 255	--	000	000	000	000	000

 Die oben genannten Farbtemperaturen sind simulierte Ähnlichkeiten der Farbausgabe im Vergleich zu einer Wolframlampe mit spezifizierter Farbtemperatur. Chauvet gibt keine Gewährleistung bezüglich der Genauigkeit der Farbausgabe.

Beschreibung des Bedienfeldes

Taste	Funktion
<MENU>	Damit verlassen Sie das aktuelle Menü oder die Funktion.
<ENTER>	Damit wird das aktuell angezeigte Menü aktiviert oder der aktuell ausgewählte Wert einer Funktion eingestellt
<UP>	Navigieren Sie sich durch die Menüpunkte nach oben oder erhöhen den numerischen Wert der Funktion
<DOWN>	Navigieren Sie sich durch die Menüpunkte nach unten oder verringern den numerischen Wert der Funktion

Sicherheitscode

Geben Sie nach der entsprechenden Aufforderung den folgenden Sicherheitscode ein, indem betätigen: <UP>, <DOWN>, <UP>, <DOWN>, <ENTER>.

Dieser Sicherheitscode kann nicht geändert werden und ist nach entsprechender Aufforderung immer zu verwenden.

Menüstruktur

Die neueste Menükarte finden Sie auf der Ovation CYC 3 FC-Produktseite unter www.chauvetprofessional.com.

Hauptebene	Programmirebenen		Beschreibung		
DMX Address	001–512*		Wählt die DMX-Adresse aus (der höchste Kanal ist auf die gewählte Eigenschaft beschränkt)		
DMX Channel	1Ch	Virtual Color Wheel	----- 1 Kanal: Dimmer Siehe Tabelle: Virtuelles Farbrad		
		Color Temperature	----- Siehe Farbtemperatur-Tabelle		
		Manual Color Mixer	Red	000–255	Kombiniert rote, grün, blaue, bernsteinfarbene un neongrüne Farben zu einer benutzerdefinierten Farbe (0–100%)
			Green		
			Blue		
	Amber				
		Lime			
		3Ch	3-Kanal: Dimmer, VCW, Farbtemperatur		
		5Ch	5-Kanal: RGBAL		
		7Ch	7-Kanal: Dimmer, RGBAL, Stroboskop		
		10Ch	10-Kanal: 16-Bit-Dimmer, RGBAL, Stroboskop, VCW, Farbtemperatur		
		12Ch	12-Kanal: Dimmer, RGBAL, Stroboskop, VCW, Farbtemperatur, Auto-Programme, Auto-Geschwindigkeit, Kontrolle		
		13Ch	13-Kanal: 16-Bit-Dimmer, 16-Bit-RGBAL, Stroboskop		
	16Ch	16-Kanal: 16-Bit-Dimmer, 16-Bit-RGBAL, Stroboskop, VCW, Farbtemperatur, Kontrolle			
	17Ch	17-Kanal: Dimmer, 3-Zellen-RGBAL, Stroboskop			
	33Ch	17-Kanal: 16-Bit-Dimmer, 16-Bit 3-Zellen-RGBAL, Stroboskop			
	HSV	3-Kanal: HSV-Kontrolle			

Hauptebene	Programmirebenen		Beschreibung			
Virtual Color Wheel	Virtual Color Wheel	C3050 - Md Yellow	Dimmer 000–255 Das Virtuelle Farbrad simuliert die Ausgabe jeder Gel-Farbe. Für spezifische Werte, siehe den Abschnitt Tabelle: Virtuelles Farbrad			
		C3040 - Lt Yellow				
		C3240 - Amb Yellow				
		C2340 - V Lt Amber				
		C2040 - Lt Amber				
		C2050 - Md Amber				
		C2060 - Dk Amber				
		C1050 - Lt Red				
		C1080 - Md Red				
		C1020 - NC Pink				
		C1030 - Md Pink				
		C1630 - Dk Pink				
		C1250 - Md Red Amber				
		C1060 - Dk Red Amber				
		C1650 - Magenta				
		C6170 - Dk Magenta				
		C6020 - Lt Lavender				
		C5030 - Lt Blue				
		C5020 - V Lt Blue				
		C5430 - Lt Blue 2				
		C5070 - Blue				
		C5050 - Md Blue				
		C5060 - Dk Blue				
		C5690 - Indigo				
		C5080 - V Dk Blue				
		C5081 - V Dk Blue 2				
		C4370 - Yel Green				
		C4070 - Green				
		C4550 - Turquoise				
		C4560 - Aqua				
		C4570 - Blue Green				
		Color Temperature		Color Temperature	2800K	Dimmer 000–255 Voreinstellung der weißen Farbtemperaturen. Bildet eine Wolframlampe mit der spezifizierten Farbtemperatur ab. Für spezifische Werte, siehe den Abschnitt Farbtemperatur-Tabelle .
					3000K	
3200K						
3500K						
4000K						
4500K						
5000K						
5600K						
6000K						
6500K						
Manual Color Mixer	Manual Color Mixer	Red	000–255 Kombiniert rote, grüne, blaue, bernsteinfarbene und neongrüne Farben zu einer benutzerdefinierten Farbe (0–100%)			
		Green				
		Blue				
		Amber				
		Lime				

Hauptebene	Programmirebenen		Beschreibung	
Virtual Color Wheel (Fortsetzung)	Color X-Fade Speed	Off	Virtuelles Farbrad Überblenden aus	
		X-Fade Speed 1	Virtuelles Farbrad Überblenden Geschwindigkeit, schnell (1) bis langsam (4)	
		X-Fade Speed 2		
		X-Fade Speed 3		
		X-Fade Speed 4		
Auto Show	Auto 1	Speed 001–100	Wählt das Auto-Programm und die Programm-Geschwindigkeit aus	
	Auto 2			
	Auto 3			
	Auto 4			
	Auto 5			
Red Shift	On		Schaltet die rote Umschaltung ein oder aus (gelbe LEDs imitieren beim Dimmen der Lampe)	
	Off			
Master/Slave	Master		Master-Modus	
	Slave		Slave-Modus	
Dimmer Curve	S Curve		Stellt die Dimmungskurve ein	
	Linear			
	Square			
	Inverse Square			
Dimmer Mode	Off		Linearer Dimmer	
	Dimmer 1		Schnelle Dimmungskurve	
	Dimmer 2		Mittlere Dimmungskurve	
	Dimmer 3		Langsame Dimmungskurve	
White Balance	Off		Verwendet die werksseitig voreingestellte Standardeinstellung "Weiß"	
	Manual	Red	125–255	Stellt den maximalen Wert der roten LED ein
		Green		Stellt den maximalen Wert der grünen LED ein
		Blue		Stellt den maximalen Wert der blauen LED ein
		Amber		Stellt den maximalen Wert der bernsteinfarbenen LED ein
		Lime		Stellt den maximalen Wert der neongrünen LED ein
LED Frequency	600Hz		Stellt die PWM-Frequenz ein	
	1200Hz			
	2000Hz			
	4000Hz			
	6000Hz			
	25KHz			
Back Light	10S		Hintergrundbeleuchtung der Anzeige nach 10 Sekunden Inaktivität ausgeschaltet	
	30S		Hintergrundbeleuchtung der Anzeige nach 30 Sekunden Inaktivität ausgeschaltet	
	2Min		Hintergrundbeleuchtung der Anzeige nach 2 Minuten Inaktivität ausgeschaltet	
	Always On		Hintergrundbeleuchtung immer an	

Hauptebene	Programmirebenen		Beschreibung
Information	Fixture Hours	--- H	Zeigt an, wie lange das Gerät eingeschaltet gewesen ist
	LED Hours	--- H	Zeigt an, wie lange das LED eingeschaltet gewesen ist
	Version	V_._	Zeigt die aktuelle Firmware-Version an
	UID	-----	Zeigt die Geräte-UID an
Temperature	Temp A	-- °C	Zeigt die aktuelle Produkt-Temperaturen
	Temp B	-- °C	
	Temp C	-- °C	
Upgrade Firmware	Only This Fixture	-----CHL	Wählt die Update-Datei für dieses Produkt, oder zeigt "No such file!"
		...	
	Multiple Fixture	-----CHL	Wählt die Update-Datei für dieses Produkt und verbundene Ovation CYC 3 FC-Produkte, oder zeigt "No such file!"
		...	
Other Fixture Type	-----CHL	Wählt die Update-Datei für andere verbundene Produkte, oder zeigt "No such file!"	
	...		
Factory Reset	No		Auf Werkseinstellungen zurücksetzen
	Yes		

DMX-Werte

HSV

Kanal	Funktion	Wert	Prozent/Einstellung
1	Farbton	000 ⇔ 255	0–100%
2	Sättigung	000 ⇔ 255	0–100%
3	Wert	000 ⇔ 255	0–100%

33Ch

Kanal	Funktion	Wert	Prozent/Einstellung
1	Dimmer	000 ⇔ 255	0–100%
2	Feine Dimmer	000 ⇔ 255	0–100%
3	Rot 1	000 ⇔ 255	0–100%
4	Feine Rot 1	000 ⇔ 255	0–100%
5	Grün 1	000 ⇔ 255	0–100%
6	Feine Grün 1	000 ⇔ 255	0–100%
7	Blau 1	000 ⇔ 255	0–100%
8	Feine Blau 1	000 ⇔ 255	0–100%
9	Bernsteinfarben 1	000 ⇔ 255	0–100%
10	Feine Bernsteinfarben 1	000 ⇔ 255	0–100%
11	Neongrün 1	000 ⇔ 255	0–100%
12	Feine Neongrün 1	000 ⇔ 255	0–100%
13	Rot 2	000 ⇔ 255	0–100%
14	Feine Rot 2	000 ⇔ 255	0–100%
15	Grün 2	000 ⇔ 255	0–100%
16	Feine Grün 2	000 ⇔ 255	0–100%
17	Blau 2	000 ⇔ 255	0–100%
18	Feine Blau 2	000 ⇔ 255	0–100%
19	Bernsteinfarben 2	000 ⇔ 255	0–100%

Kanal	Funktion	Wert	Prozent/Einstellung
20	Feine Bernsteinfarben 2	000 ⇔ 255	0–100%
21	Neongrün 2	000 ⇔ 255	0–100%
22	Feine Neongrün 2	000 ⇔ 255	0–100%
23	Rot 3	000 ⇔ 255	0–100%
24	Feine Rot 3	000 ⇔ 255	0–100%
25	Grün 3	000 ⇔ 255	0–100%
26	Feine Grün 3	000 ⇔ 255	0–100%
27	Blau 3	000 ⇔ 255	0–100%
28	Feine Blau 3	000 ⇔ 255	0–100%
29	Bernsteinfarben 3	000 ⇔ 255	0–100%
30	Feine Bernsteinfarben 3	000 ⇔ 255	0–100%
31	Neongrün 3	000 ⇔ 255	0–100%
32	Feine Neongrün 3	000 ⇔ 255	0–100%
33	Stroboskop	000 ⇔ 010 011 ⇔ 255	Keine Funktion Stroboskop, langsam nach schnell

17Ch

Kanal	Funktion	Wert	Prozent/Einstellung
1	Dimmer	000 ⇔ 255	0–100%
2	Rot 1	000 ⇔ 255	0–100%
3	Grün 1	000 ⇔ 255	0–100%
4	Blau 1	000 ⇔ 255	0–100%
5	Bernsteinfarben 1	000 ⇔ 255	0–100%
6	Neongrün 1	000 ⇔ 255	0–100%
7	Rot 2	000 ⇔ 255	0–100%
8	Grün 2	000 ⇔ 255	0–100%
9	Blau 2	000 ⇔ 255	0–100%
10	Bernsteinfarben 2	000 ⇔ 255	0–100%
11	Neongrün 2	000 ⇔ 255	0–100%
12	Rot 3	000 ⇔ 255	0–100%
13	Grün 3	000 ⇔ 255	0–100%
14	Blau 3	000 ⇔ 255	0–100%
15	Bernsteinfarben 3	000 ⇔ 255	0–100%
16	Neongrün 3	000 ⇔ 255	0–100%
17	Stroboskop	000 ⇔ 010 011 ⇔ 255	Keine Funktion Stroboskop, langsam nach schnell

16Ch

Kanal	Funktion	Wert	Prozent/Einstellung
1	Dimmer	000 ⇔ 255	0–100%
2	Feine Dimmer	000 ⇔ 255	0–100%
3	Rot	000 ⇔ 255	0–100%
4	Feine Rot	000 ⇔ 255	0–100%
5	Grün	000 ⇔ 255	0–100%
6	Feine Grün	000 ⇔ 255	0–100%
7	Blau	000 ⇔ 255	0–100%
8	Feine Blau	000 ⇔ 255	0–100%
9	Bernsteinfarben	000 ⇔ 255	0–100%
10	Feine Bernsteinfarben	000 ⇔ 255	0–100%
11	Neongrün	000 ⇔ 255	0–100%
12	Feine Neongrün	000 ⇔ 255	0–100%
13	Stroboskop	000 ⇔ 010 011 ⇔ 255	Keine Funktion Stroboskop, langsam nach schnell
14	Virtuelles Farbrad	000 ⇔ 255	Siehe Tabelle: Virtuelles Farbrad
15	Farbtemperatur	000 ⇔ 255	Siehe Farbtemperatur-Tabelle
16	Kontrolle (3 Sekunden lang gedrückt halten)	000 ⇔ 007 008 ⇔ 015 016 ⇔ 023 024 ⇔ 031 032 ⇔ 039 040 ⇔ 047 048 ⇔ 055 056 ⇔ 063 064 ⇔ 071 072 ⇔ 079 080 ⇔ 087 088 ⇔ 095 096 ⇔ 127 128 ⇔ 135 136 ⇔ 143 144 ⇔ 151 152 ⇔ 159 160 ⇔ 167 168 ⇔ 255	Keine Funktion Dimmer zurücksetzen Rotverschiebung ein Rotverschiebung aus S-Kurve Dimmerkurve Lineare Dimmerkurve Quadratische-Dimmerkurve Umgekehrtes quadratische Dimmerkurve Dimmer-Geschwindigkeits-Modus aus Dimmer-Geschwindigkeits-Modus 1 (schnellste) Dimmer-Geschwindigkeits-Modus 2 Dimmer-Geschwindigkeits-Modus 3 (langsamste) Reserviert für zukünftige Verwendung Virtuelles Farbrad Überblenden aus Virtuelles Farbrad Überblenden Geschwindigkeit 1 (schnellste) Virtuelles Farbrad Überblenden Geschwindigkeit 2 Virtuelles Farbrad Überblenden Geschwindigkeit 3 Virtuelles Farbrad Überblenden Geschwindigkeit 4 (langsamste) Reserviert für zukünftige Verwendung

13Ch

Kanal	Funktion	Wert	Prozent/Einstellung
1	Dimmer	000 ⇔ 255	0–100%
2	Feine Dimmer	000 ⇔ 255	0–100%
3	Rot	000 ⇔ 255	0–100%
4	Feine Rot	000 ⇔ 255	0–100%
5	Grün	000 ⇔ 255	0–100%
6	Feine Grün	000 ⇔ 255	0–100%
7	Blau	000 ⇔ 255	0–100%
8	Feine Blau	000 ⇔ 255	0–100%
9	Bernsteinfarben	000 ⇔ 255	0–100%
10	Feine Bernsteinfarben	000 ⇔ 255	0–100%
11	Neongrün	000 ⇔ 255	0–100%
12	Feine Neongrün	000 ⇔ 255	0–100%
13	Stroboskop	000 ⇔ 010	Keine Funktion
		011 ⇔ 255	Stroboskop, langsam nach schnell

12Ch

Kanal	Funktion	Wert	Prozent/Einstellung
1	Dimmer	000 ⇔ 255	0–100%
2	Rot	000 ⇔ 255	0–100%
3	Grün	000 ⇔ 255	0–100%
4	Blau	000 ⇔ 255	0–100%
5	Bernsteinfarben	000 ⇔ 255	0–100%
6	Neongrün	000 ⇔ 255	0–100%
7	Stroboskop	000 ⇔ 010	Keine Funktion
		011 ⇔ 255	Stroboskop, langsam nach schnell
8	Virtuelles Farbrad	000 ⇔ 255	Siehe Tabelle: Virtuelles Farbrad
9	Farbtemperatur	000 ⇔ 255	Siehe Farbtemperatur-Tabelle
10	Automatisches Programm	000 ⇔ 010	Keine Funktion
		011 ⇔ 060	Auto 1
		061 ⇔ 110	Auto 2
		111 ⇔ 160	Auto 3
		161 ⇔ 210	Auto 4
211 ⇔ 255	Auto 5 (Auto 1–4)		
11	Automatische Geschwindigkeit	000 ⇔ 255	Automatische Geschwindigkeit, langsam bis schnell

Kanal	Funktion	Wert	Prozent/Einstellung
12	Kontrolle (3 Sekunden lang gedrückt halten)	000 ⇔ 007	Keine Funktion
		008 ⇔ 015	Dimmer zurücksetzen
		016 ⇔ 023	Rotverschiebung ein
		024 ⇔ 031	Rotverschiebung aus
		032 ⇔ 039	S-Kurve Dimmerkurve
		040 ⇔ 047	Lineare Dimmerkurve
		048 ⇔ 055	Quadratische-Dimmerkurve
		056 ⇔ 063	Umgekehrtes quadratische Dimmerkurve
		064 ⇔ 071	Dimmer-Geschwindigkeits-Modus aus
		072 ⇔ 079	Dimmer-Geschwindigkeits-Modus 1 (schnellste)
		080 ⇔ 087	Dimmer-Geschwindigkeits-Modus 2
		088 ⇔ 095	Dimmer-Geschwindigkeits-Modus 3 (langsamste)
		096 ⇔ 127	Reserviert für zukünftige Verwendung
		128 ⇔ 135	Virtuelles Farbrad Überblenden aus
		136 ⇔ 143	Virtuelles Farbrad Überblenden Geschwindigkeit 1 (schnellste)
		144 ⇔ 151	Virtuelles Farbrad Überblenden Geschwindigkeit 2
		152 ⇔ 159	Virtuelles Farbrad Überblenden Geschwindigkeit 3
160 ⇔ 167	Virtuelles Farbrad Überblenden Geschwindigkeit 4 (langsamste)		
168 ⇔ 255	Reserviert für zukünftige Verwendung		

10Ch

Kanal	Funktion	Wert	Prozent/Einstellung
1	Dimmer	000 ⇔ 255	0–100%
2	Feine Dimmer	000 ⇔ 255	0–100%
3	Rot	000 ⇔ 255	0–100%
4	Grün	000 ⇔ 255	0–100%
5	Blau	000 ⇔ 255	0–100%
6	Bernsteinfarben	000 ⇔ 255	0–100%
7	Neongrün	000 ⇔ 255	0–100%
8	Stroboskop	000 ⇔ 010	Keine Funktion
		011 ⇔ 255	Stroboskop, langsam nach schnell
9	Virtuelles Farbrad	000 ⇔ 255	Siehe Tabelle: Virtuelles Farbrad
10	Farbtemperatur	000 ⇔ 255	Siehe Farbtemperatur-Tabelle

7Ch

Kanal	Funktion	Wert	Prozent/Einstellung
1	Dimmer	000 ⇔ 255	0–100%
2	Rot	000 ⇔ 255	0–100%
3	Grün	000 ⇔ 255	0–100%
4	Blau	000 ⇔ 255	0–100%
5	Bernsteinfarben	000 ⇔ 255	0–100%
6	Neongrün	000 ⇔ 255	0–100%
7	Stroboskop	000 ⇔ 010	Keine Funktion
		011 ⇔ 255	Stroboskop, langsam nach schnell

5Ch

Kanal	Funktion	Wert	Prozent/Einstellung
1	Rot	000 ⇔ 255	0–100%
2	Grün	000 ⇔ 255	0–100%
3	Blau	000 ⇔ 255	0–100%
4	Bernsteinfarben	000 ⇔ 255	0–100%
5	Neongrün	000 ⇔ 255	0–100%

3Ch

Kanal	Funktion	Wert	Prozent/Einstellung
1	Dimmer	000 ⇔ 255	0–100%
2	Virtuelles Farbrad	000 ⇔ 255	Siehe Tabelle: Virtuelles Farbrad
3	Farbtemperatur	000 ⇔ 255	Siehe Farbtemperatur-Tabelle

1Ch

Kanal	Funktion	Wert	Prozent/Einstellung
1	Dimmer	000 ⇔ 255	0–100% (Farbeinstellung über Menü)

Over deze handleiding

De Ovation CYC 3 FC Beknopte Handleiding bevat basisinformatie over het product, zoals montage, menu-opties en DMX-waarden. Download de gebruikershandleiding op www.chauvetprofessional.com voor meer informatie.

Disclaimer

De informatie en specificaties in deze beknopte handleiding kunnen zonder voorafgaande kennisgeving worden gewijzigd.

BEPERKTE GARANTIE

GA NAAR ONZE WEBSITE VOOR REGISTRATIE VAN DE GARANTIE EN DE VOLLEDIGE ALGEMENE VOORWAARDEN.

Voor klanten in de Verenigde Staten en Mexico: www.chauvetlighting.com/warranty-registration.

Voor klanten in het Verenigd Koninkrijk, Ierland, België, Nederland, Luxemburg, Frankrijk en Duitsland: www.chauvetlighting.eu/warranty-registration.

Chauvet garandeert dat dit product bij normaal gebruik vrij zal blijven van defecten in materiaal en vakmanschap, voor de opgegeven periode en onder voorbehoud van de uitzonderingen en beperkingen die zijn uiteengezet in de volledige beperkte garantie op onze website. Deze garantie geldt uitsluitend voor de oorspronkelijke koper van het product en is niet overdraagbaar. Om onder deze garantie rechten uit te oefenen, moet u een aankoopbewijs overleggen in de vorm van een origineel verkoopbewijs van een geautoriseerde dealer, waarop de naam van het product en de aankoopdatum zichtbaar zijn. **ER ZIJN GEEN ANDERE EXPLICIETE OF IMPLICIETE GARANTIES.** Deze garantie geeft u specifieke wettelijke rechten. Mogelijk heeft u ook andere rechten die van staat tot staat en van land tot land verschillen. Deze garantie is uitsluitend geldig in de Verenigde Staten, het Verenigd Koninkrijk, Ierland, België, Nederland, Luxemburg, Frankrijk, Duitsland en Mexico. Neem contact op met uw lokale verkoper voor garantievoorwaarden in andere landen.

Veiligheidsinstructies

- De armatuur moet zodanig geplaatst worden dat langdurig staren in de armatuur op een afstand van minder dan 7,55 ft (2,3 m) voorkomen wordt.
- Als de externe flexibele kabel of het snoer van deze armatuur beschadigd is, moet deze worden vervangen door een speciaal snoer of een snoer dat uitsluitend beschikbaar is bij de fabrikant of zijn onderhoudsagent.
- De lichtbron die in deze armatuur omvat is mag alleen vervangen worden door de fabrikant, of diens onderhoudsagent of een soortgelijk erkend persoon.
- De armatuur is uitsluitend bedoeld voor professioneel gebruik.
- Open het product NIET. Het bevat geen te onderhouden onderdelen.
- KIJK NIET in de lichtbron wanneer het apparaat is ingeschakeld.
- Om onnodige slijtage te elimineren en zijn levensduur te verlengen, gedurende perioden wanneer het product niet wordt gebruikt, moet u het product van de stroom afsluiten door een aardlekschakelaar om te zetten of door het te ontkoppelen.
- LET OP: De behuizing van dit product kan heet zijn wanneer het in bedrijf is. Plaats geen ontvlambaar materiaal binnen 20 in (50 cm) van dit product als het in gebruik is of is aangesloten op het stopcontact.
- Monteer dit product op een plek met voldoende ventilatie, ten minste 20 cm van de aangrenzende oppervlakken.
- LET OP: Bij het verplaatsen van het product uit extreme omgevingen, (bijv. koude vrachtwagen naar warme, vochtige balzaal) kan er condensvorming optreden op de elektronica van het product. Om storingen te vermijden moet het product volledig kunnen acclimatiseren aan de omgeving voordat het op stroom wordt aangesloten.
- GEBRUIK een veiligheidskabel bij het boven het hoofd plaatsen van dit product.
- Gebruik dit product NIET buitenshuis of op een locatie waar stof, grote warmte, water of vochtigheid het kunnen beïnvloeden. (IP20)
- Gebruik dit product NIET als de behuizing, lenzen of kabels beschadigd lijken.
- Sluit dit product NIET aan op een dimmer of een regelweerstand.
- Sluit dit product UITSLUITEND op een geaard en beveiligd stroomcircuit.
- Stop in het geval van ernstige operationele problemen onmiddellijk met het gebruik.
- De maximale omgevingstemperatuur bedraagt 45 °C. Gebruik dit product niet bij hogere temperaturen.
- De minimale opstarttemperatuur is -20° C. Start het product niet op bij lagere temperaturen.
- De minimale omgevingstemperatuur is -30 °C. Gebruik het product niet bij lagere temperaturen.

FCC-naleving

Dit apparaat voldoet aan Part 15 Part B van de FCC-regels. Het gebruik is onderworpen aan de volgende twee voorwaarden:

1. Dit apparaat mag geen schadelijke interferentie veroorzaken, en
2. Dit apparaat moet enige ontvangen interferentie accepteren, inclusief interferentie die een ongewenste werking kan veroorzaken.

Eventuele wijzigingen of aanpassingen die niet uitdrukkelijk door de voor naleving verantwoordelijke partij zijn goedgekeurd, kan de bevoegdheid van de gebruiker om de apparatuur te bedienen ongeldig verklaren.

Contact

Van buiten de VS, Verenigd Koninkrijk, Ierland, Benelux, Frankrijk, Duitsland of Mexico kunt u contact opnemen met de distributeur of om ondersteuning vragen dan wel het product retourneren. Raadpleeg [Contact Us](#) aan het einde van deze beknopte handleiding voor contactinformatie.

Wat is inbegrepen

- Ovation CYC 3 FC
- Seetronic Powerkon IP65 stroomsnoer
- 2 Omegabeugels met bevestigingsapparatuur
- Beknopte handleiding

AC-stroom

Dit product heeft een voeding met automatisch bereik die werkt met een ingangsspanning van 100–240 VAC, 50/60 Hz.

AC-stekker

Aansluiting	Snoer (VS)	Snoer (Europa)	Schroefkleur
AC Live	Zwart	Bruin	Geel/messing
AC Neutraal	Wit	Blauw	Zilver
AC Aarde	Groen/geel	Groen/geel	Groen



Om slijtage te elimineren en zijn levensduur te verlengen wanneer het product niet wordt gebruikt, moet u het product van de stroom afsluiten door een aardlekschakelaar om te zetten of door het te ontkoppelen.

De zekering vervangen

1. Ontkoppel dit product van de stroom.
2. Gebruik een platkopschroevendraaier en schroef de kap van de zekeringshouder los van de behuizing.
3. Verwijder de doorgebrande zekering en vervang het met een werkende zekering van hetzelfde type en met dezelfde waarde.
4. Schroef de kap van de zekeringhouder terug en steek de stekker er weer in.

DMX-koppeling

De Ovation CYC 3 FC kan met een DMX-controller werken met een 5-pins DMX seriële verbinding. Op www.chauvetprofessional.com is een DMX basishandleiding verkrijgbaar.

DMX-aansluiting

De Ovation CYC 3 FC gebruikt een 5-pins DMX-gegevensverbinding voor zijn DMX-persoonlijkheden: **1Ch, 3Ch, 5Ch, 7Ch, 10Ch, 12Ch, 13Ch, 16Ch, 17Ch, 33Ch** en **HSV**. Zie de gebruikershandleiding om te verbinden en te configureren voor DMX-werking.

Master/slave-verbinding

De Ovation CYC 3 FC maakt gebruik van de DMX-dataverbinding voor haar Master-/Slave-modus. Zie de gebruikershandleiding om te verbinden en te configureren voor Master/Slave-werking.

RDM (apparaatbeheer op afstand)

Remote Device Management of RDM (apparaatbeheer op afstand) is een standaard die het voor DMX-apparaten mogelijk maakt om in twee richtingen te communiceren over bestaande DMX-kabels. De Ovation CYC 3 FC ondersteunt het RDM-protocol dat zorgt feedback toelaat bij de bewaking van wijzigingen aan de menu map-opties van. Download de gebruikershandleiding op www.chauvetprofessional.com voor meer informatie.

USB-softwareupdate

De Ovation CYC 3 FC kan via USB een softwareupdate ontvangen via de ingebouwde USB-poort. Ga als volgt te werk om de software via USB bij te werken:

1. Schakel het armatuur in en steek de USB-stick in de USB-poort.
2. Zodra de flashdrive gedetecteerd is wordt de melding "Upgrade Firmware" (Firmware bijwerken) weergegeven. Druk op **<ENTER>**.
 - Als er een andere melding op het scherm verschijnt moet u in het menu (**Updated Firmware**, ofwel bijgewerkte firmware) naar de bijgewerkte software zoeken en kies uit **Only This Unit, Multiple Units of Other Fixture Type**. Er wordt een lijst met de bijgewerkte softwarebestanden weergegeven.
3. Selecteer het bestand dat geüpload moet worden. Er verschijnt een melding "Are you sure?" (Weet u het zeker?). Druk op **<ENTER>**.
4. Als het geselecteerde bestand correct is, wordt de upgrade voltooid. Start de armatuur opnieuw op.
 - Als het geselecteerde bestand onjuist is, zal de upgrade mislukken en gaat het scherm terug naar de hoofdinterface. Herhaal stap 1-3 dan met het juiste bestand.

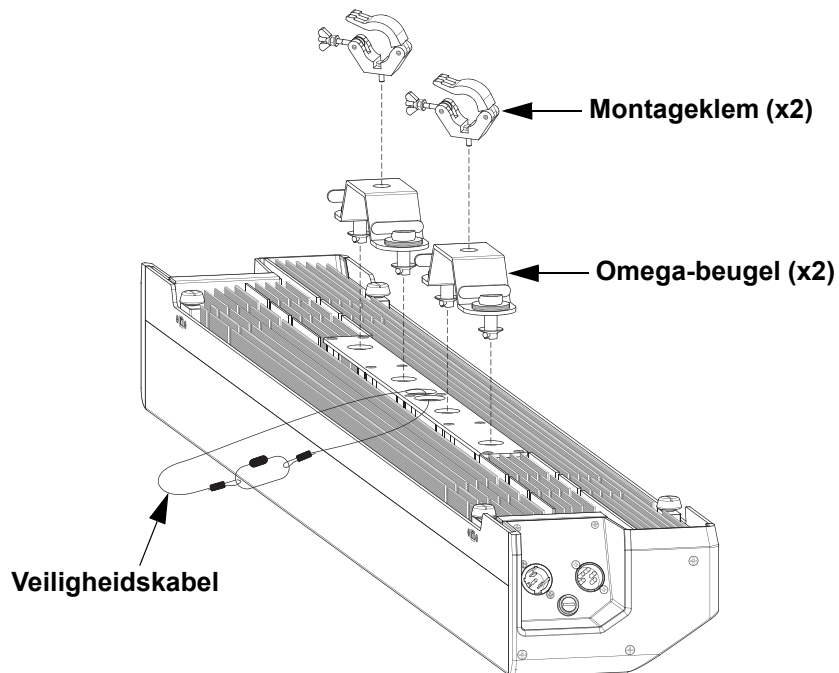


De optie "Other Fixture Type" kan alleen worden geselecteerd voor aangesloten producten die compatibel zijn met Upload 03 (de eerste 2 cijfers van de artikelcode moeten 03 zijn).

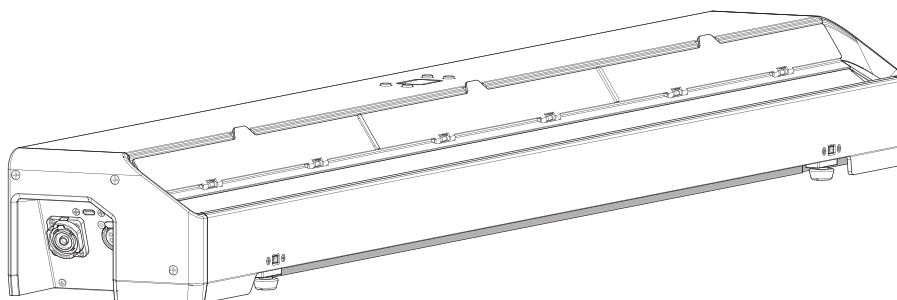
Montage

Lees alvorens dit product te monteren alle [Veiligheidsinstructies](#). Controleer of de montageklem het gewicht van het product kan dragen. Ga voor onze Chauvet-serie montageklemmen naar <http://trusst.com/productcategory/truss-clamps>.

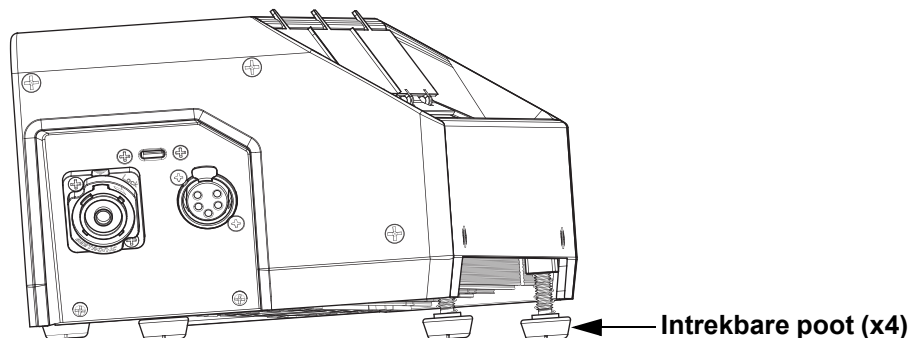
Montagediagram van het product



Montage boven het hoofd



Montage aan een oppervlak



Virtueel kleurenwiel

De Ovation CYC 3 FC bevat een functie, genaamd het virtuele kleurenwiel (Virtual Color Wheel, VCW). Deze functie is beschikbaar als een losstaande bedieningsmodus voor handmatig gebruik en ook als een bedieningskanaal in de geselecteerde DMX-persoonlijkheden van de producten. Voor eenvoudiger programmering zijn er meer dan 30 voorgemengde kleuren beschikbaar die speciaal door onze technici zijn samengesteld. De DMX-waarden die worden gebruikt voor het mengen van deze kleuren staan hieronder vermeld. U kunt de algehele intensiteit van het Ovation-armatuur aanpassen om de kleuren waarmee u bekend bent beter na te bootsen. Op onze website www.chauvetprofessional.com is een tabel beschikbaar om onze voorgemengde kleuren te vergelijken met populaire gelkleuren. Deze grafiek is uitsluitend bedoeld voor vergelijkingsdoeleinden en vormt geen garantie dat onze voorgemengde kleuren overeenkomen met de vermelde gelkleuren.

Kleurenkaart

DMX-waarde	Weergave op het display	Rode waarde	Groene waarde	Blauwe waarde	Gele waarde	Lime waarde
000 ⇔ 005	--	000	000	000	000	000
006 ⇔ 013	C3050 - Md Yellow	233	163	020	123	255
014 ⇔ 021	C3040 - Lt Yellow	224	158	047	255	231
022 ⇔ 028	C3240 - Amb Yellow	180	060	000	245	255
029 ⇔ 035	C2340 - V Lt Amber	245	107	081	255	213
036 ⇔ 043	C2040 - Lt Amber	230	130	062	255	155
044 ⇔ 051	C2050 - Md Amber	255	000	025	255	194
052 ⇔ 059	C2060 - Dk Amber	255	000	024	255	150
060 ⇔ 067	C1050 - Lt Red	255	037	027	030	038
068 ⇔ 075	C1080 - Md Red	255	004	017	000	000
076 ⇔ 083	C1020 - NC Pink	238	135	129	255	255
084 ⇔ 091	C1030 - Md Pink	255	131	120	255	195
092 ⇔ 099	C1630 - Dk Pink	255	165	123	255	210
100 ⇔ 107	C1250 - Md Red Amber	255	000	041	195	055
108 ⇔ 115	C1060 - Dk Red Amber	255	000	045	120	030
116 ⇔ 121	C1650 - Magenta	255	050	115	255	115
122 ⇔ 130	C6170 - Dk Magenta	255	035	117	000	000
131 ⇔ 138	C6020 - Lt Lavender	127	122	142	251	255
139 ⇔ 146	C5030 - Lt Blue	000	255	197	100	255
147 ⇔ 154	C5020 - V Lt Blue	158	255	189	000	255
155 ⇔ 162	C5430 - Lt Blue 2	000	255	180	000	243
163 ⇔ 170	C5070 - Blue	043	255	210	043	036
171 ⇔ 178	C5050 - Md Blue	000	255	218	000	181
179 ⇔ 186	C5060 - Dk Blue	000	210	206	000	118
187 ⇔ 194	C5690 - Indigo	065	000	210	040	055
195 ⇔ 202	C5080 - V Dk Blue	000	203	230	000	040
203 ⇔ 210	C5081 - V Dk Blue 2	040	199	240	000	045
211 ⇔ 218	C4370 - Yel Green	027	255	028	016	104
219 ⇔ 226	C4070 - Green	049	255	055	120	090
227 ⇔ 234	C4550 - Turquoise	060	230	109	000	245
235 ⇔ 242	C4560 - Aqua	020	240	126	036	255
243 ⇔ 250	C4570 - Blue Green	000	255	079	030	053
251 ⇔ 255	--	000	000	000	000	000



De kleuren hierboven zijn gesimuleerde waargaven van de kleurenitvoer die zijn geproduceerd, in vergelijking met de andere gelijksoortige lichtproducten. Chauvet geeft geen garantie over de nauwkeurigheid van de kleuropbrengst.

Kleurtemperatuur-kaart

DMX-waarde	Weergave op het display	Rode waarde	Groene waarde	Blauwe waarde	Gele waarde	Lime waarde
000 ⇔ 005	--	000	000	000	000	000
006 ⇔ 025	2800K	172	110	037	255	255
026 ⇔ 050	3000K	156	126	044	255	255
051 ⇔ 075	3200K	144	142	049	255	255
076 ⇔ 100	3500K	128	159	062	255	255
101 ⇔ 125	4000K	096	183	073	255	255
126 ⇔ 150	4500K	084	209	091	255	255
151 ⇔ 175	5000K	074	221	109	255	255
176 ⇔ 200	5600K	064	244	126	255	255
201 ⇔ 225	6000K	059	255	137	255	255
226 ⇔ 250	6500K	050	255	148	255	255
251 ⇔ 255	--	000	000	000	000	000



De bovenstaande kleurtemperaturen zijn gesimuleerde waargaven van de geproduceerde kleuropbrengst, in vergelijking met een wolfram-lamp bij de opgegeven kleurtemperatuur. Chauvet geeft geen garantie over de nauwkeurigheid van de kleuropbrengst.

Beschrijving bedieningspaneel

Toets	Functie
<MENU>	Sluit het huidige menu of functie af
<ENTER>	Activeert het huidige getoonde menu of plaatst de huidige geselecteerde waarde in de geselecteerde functie
<UP>	Navigeert omhoog via het menu of verhoogt de numerieke waarde wanneer in een functie
<DOWN>	Navigeert omlaag via het menu of verlaagt de numerieke waarde wanneer in een functie

Toegangscode

Vul na dat gevraagd te worden de volgende toegangscode in door te drukken op: <UP>, <DOWN>, <UP>, <DOWN>, <ENTER>. Dit toegangscode kan niet gewijzigd worden en moet indien gevraagd ingevuld worden.

Menupap

Raadpleeg de productpagina van Ovation CYC 3 FC op www.chauvetprofessional.com voor de nieuwste menukaart.

Hoofd-niveau	Programmeerniveaus			Beschrijving	
DMX Address	001–512*			Selecteert het start-adres (hoogste kanaal beperkt tot de gekozen persoonlijkheid)	
DMX Channel	1Ch	Virtual Color Wheel		----- 1-kanaal: dimmer Zie Kleurenkaart	
		Color Temperature		----- Zie Kleurtemperatuur-kaart	
		Manual Color Mixer	Red	000–255	Combineert rood, groen, blauw, amber en lime om een aangepaste kleur te genereren (0–100%)
			Green		
			Blue		
	Amber				
			Lime		
		3Ch			3-kanalen: dimmer, virtueel kleurrad, kleurtemperatuur
		5Ch			5-kanalen: RGBAL
		7Ch			7-kanalen: dimmer, RGBAL, stroboscoop
		10Ch			10-kanalen: 16-bits dimmer, RGBAL, stroboscoop, virtueel kleurrad, kleurtemperatuur
		12Ch			12-kanalen: Dimmer, RGBAL, stroboscoop, virtueel kleurrad, kleurtemperatuur, auto-programma, auto-snelheid, controle
		13Ch			13-kanalen: 16-bits dimmer, 16-bits RGBAL, stroboscoop
		16Ch			16-kanalen: 6-bits dimmer, 16-bits RGBAL, stroboscoop, virtueel kleurrad, kleurtemperatuur, controle
	17Ch			17-kanalen: Dimmer, 3-cels RGBAL, stroboscoop	
	33Ch			17-kanalen: 16-bits dimmer, 16-bits 3-cels RGBAL, stroboscoop	
	HSV			3-kanalen: HSV-regeling	
Virtual Color Wheel	Virtual Color Wheel	C3050 - Md Yellow	Dimmer 000–255	Het virtuele kleurenwiel simuleert de opbrengst van elke gelkleur. Raadpleeg de sectie Kleurenkaart voor specifieke waarden.	
		C3040 - Lt Yellow			
		C3240 - Amb Yellow			
		C2340 - VLt Amber			
		C2040 - Lt Amber			
		C2050 - Md Amber			
		C2060 - Dk Amber			
		C1050 - Lt Red			
		C1080 - Md Red			
		C1020 - NC Pink			
C1030 - Md Pink					

Hoofdniveau	Programmeerniveaus		Beschrijving	
Virtual Color Wheel (vervolg)	Virtual Color Wheel (vervolg)	C1630 - Dk Pink	Dimmer 000–255	Het virtuele kleurenwiel simuleert de opbrengst van elke gelkleur. Raadpleeg de sectie Kleurenkaart voor specifieke waarden.
		C1250 - Md Red Amber		
		C1060 - Dk Red Amber		
		C1650 - Magenta		
		C6170 - Dk Magenta		
		C6020 - Lt Lavender		
		C5030 - Lt Blue		
		C5020 - VLt Blue		
		C5430 - Lt Blue 2		
		C5070 - Blue		
		C5050 - Md Blue		
		C5060 - Dk Blue		
		C5690 - Indigo		
		C5080 - Vdk Blue		
		C5081 - Vdk Blue 2		
		C4370 - Yel Green		
		C4070 - Green		
		C4550 - Turquoise		
	C4560 - Aqua			
	C4570 - Blue Green			
Virtual Color Wheel (vervolg)	Color Temperature	2800K	Dimmer 000–255	Vooringestelde witte kleurtemperaturen. Emuleert een wolfram-lamp bij de opgegeven kleurtemperatuur. Raadpleeg de sectie Kleurtemperatuur-kaart voor specifieke waarden
		3000K		
		3200K		
		3500K		
		4000K		
		4500K		
		5000K		
		5600K		
		6000K		
		6500K		
Manual Color Mixer	Manual Color Mixer	Red	000–255	Combineert rood, groen, blauw, amber en lime om een aangepaste kleur te genereren (0–100%)
		Green		
		Blue		
		Amber		
		Lime		
Color X-Fade Speed	Color X-Fade Speed	Off	000–255	Virtuele kleurenwiel Crossfade uit
		X-Fade Speed 1		Virtuele kleurenwiel Crossfade snelheid, snel (1) naar langzaam (4)
		X-Fade Speed 2		
		X-Fade Speed 3		
		X-Fade Speed 4		
Auto Show	Auto 1	Speed 001–100	Selecteert automatische programma's en automatische programmasnelheid	
	Auto 2			
	Auto 3			
	Auto 4			
	Auto 5			
Red Shift	On	000–255	Zet Red Shift aan of uit (Amber-LED's imiteren lamp bij het dimmen)	
	Off			

Hoofdniveau	Programmeerniveaus		Beschrijving	
Master/Slave	Master		Master-modus	
	Slave		Slave-modus	
Dimmer Curve	S Curve		Stelt de dimcurve in	
	Linear			
	Square			
	Inverse Square			
Dimmer Mode	Off		Lineaire dimmer	
	Dimmer 1		Snelle dimmer-kromme	
	Dimmer 2		Gemiddelde dimmer-kromme	
	Dimmer 3		Langzame dimmer-kromme	
White Balance	Off		Gebuikt standaard witte instelling	
	Manual	Red	125–255	Stelt de maximum waarde van de rode LED in
		Green		Stelt de maximum waarde van de groene LED in
		Blue		Stelt de maximum waarde van de blauwe LED in
		Amber		Stelt de maximum waarde van de amber LED in
		Lime		Stelt de maximum waarde van de lime LED in
LED Frequency	600Hz		Selecteert de PWM-uitgangsfrequentie	
	1200Hz			
	2000Hz			
	4000Hz			
	6000Hz			
	25KHz			
Back Light	10S		Schakelt de backlight van de display uit na 10s van inactiviteit	
	30S		Schakelt de backlight van de display uit na 30s van inactiviteit	
	2Min		Schakelt de backlight van de display uit na 2 minuten van inactiviteit	
	Always On		De backlight van de display is altijd aan	
Information	Fixture Hours	___ H	Toont het totale aantal producturen	
	LED Hours	___ H	Toont het totale aantal LED-uren	
	Version	V_ _	Toont de geïnstalleerde softwareversie	
	UID	_____	Geeft de huidige UID #	
Temperature	Temp A	__ °C	Toont de huidige product-temperaturen	
	Temp B	__ °C		
	Temp C	__ °C		
Upgrade Firmware	Only This Fixture	_____CHL	Selecteert een updatebestand voor dit product, of toont "No such file!"	
		...		
	Multiple Fixture	_____CHL	Selecteert een updatebestand voor dit product en verbonden Ovation CYC 3 FC-producten, of toont "No such file!"	
		...		
Other Fixture Type	_____CHL	Selecteert een updatebestand voor andere aangesloten producten, of toont "No such file!"		
	...			
Factory Reset	No		Reset naar standaard fabrieksinstellingen	
	Yes			

DMX-waarden
HSV

Kanaal	Functie	Waarde	Percentage/Instelling
1	Tint	000 ⇔ 255	0–100%
2	Verzadiging	000 ⇔ 255	0–100%
3	Waarde	000 ⇔ 255	0–100%

33Ch

Kanaal	Functie	Waarde	Percentage/Instelling
1	Dimmer	000 ⇔ 255	0–100%
2	Fijne dimmer	000 ⇔ 255	0–100%
3	Rood 1	000 ⇔ 255	0–100%
4	Fijn rood 1	000 ⇔ 255	0–100%
5	Groen 1	000 ⇔ 255	0–100%
6	Fijn groen 1	000 ⇔ 255	0–100%
7	Blauw 1	000 ⇔ 255	0–100%
8	Fijn blauw 1	000 ⇔ 255	0–100%
9	Amber 1	000 ⇔ 255	0–100%
10	Fijn amber 1	000 ⇔ 255	0–100%
11	Lime 1	000 ⇔ 255	0–100%
12	Fijn lime 1	000 ⇔ 255	0–100%
13	Rood 2	000 ⇔ 255	0–100%
14	Fijn rood 2	000 ⇔ 255	0–100%
15	Groen 2	000 ⇔ 255	0–100%
16	Fijn groen 2	000 ⇔ 255	0–100%
17	Blauw 2	000 ⇔ 255	0–100%
18	Fijn blauw 2	000 ⇔ 255	0–100%
19	Amber 2	000 ⇔ 255	0–100%
20	Fijn amber 2	000 ⇔ 255	0–100%
21	Lime 2	000 ⇔ 255	0–100%
22	Fijn lime 2	000 ⇔ 255	0–100%
23	Rood 3	000 ⇔ 255	0–100%
24	Fijn rood 3	000 ⇔ 255	0–100%
25	Groen 3	000 ⇔ 255	0–100%
26	Fijn groen 3	000 ⇔ 255	0–100%
27	Blauw 3	000 ⇔ 255	0–100%
28	Fijn blauw 3	000 ⇔ 255	0–100%
29	Amber 3	000 ⇔ 255	0–100%
30	Fijn amber 3	000 ⇔ 255	0–100%
31	Lime 3	000 ⇔ 255	0–100%
32	Fijn lime 3	000 ⇔ 255	0–100%
33	Stroboscoop	000 ⇔ 010 011 ⇔ 255	Geen functie Stroboscoop, langzaam naar snel

NL

17Ch

Kanaal	Functie	Waarde	Percentage/Instelling
1	Dimmer	000 ⇔ 255	0–100%
2	Rood 1	000 ⇔ 255	0–100%
3	Groen 1	000 ⇔ 255	0–100%
4	Blauw 1	000 ⇔ 255	0–100%
5	Amber 1	000 ⇔ 255	0–100%
6	Lime 1	000 ⇔ 255	0–100%
7	Rood 2	000 ⇔ 255	0–100%
8	Groen 2	000 ⇔ 255	0–100%
9	Blauw 2	000 ⇔ 255	0–100%
10	Amber 2	000 ⇔ 255	0–100%
11	Lime 2	000 ⇔ 255	0–100%
12	Rood 3	000 ⇔ 255	0–100%
13	Groen 3	000 ⇔ 255	0–100%
14	Blauw 3	000 ⇔ 255	0–100%
15	Amber 3	000 ⇔ 255	0–100%
16	Lime 3	000 ⇔ 255	0–100%
17	Stroboscoop	000 ⇔ 010 011 ⇔ 255	Geen functie Stroboscoop, langzaam naar snel

16Ch

Kanaal	Functie	Waarde	Percentage/Instelling
1	Dimmer	000 ⇔ 255	0–100%
2	Fijne dimmer	000 ⇔ 255	0–100%
3	Rood	000 ⇔ 255	0–100%
4	Fijn rood	000 ⇔ 255	0–100%
5	Groen	000 ⇔ 255	0–100%
6	Fijn groen	000 ⇔ 255	0–100%
7	Blauw	000 ⇔ 255	0–100%
8	Fijn blauw	000 ⇔ 255	0–100%
9	Amber	000 ⇔ 255	0–100%
10	Fijn amber	000 ⇔ 255	0–100%
11	Lime	000 ⇔ 255	0–100%
12	Fijn lime	000 ⇔ 255	0–100%
13	Stroboscoop	000 ⇔ 010 011 ⇔ 255	Geen functie Stroboscoop, langzaam naar snel
14	Virtueel kleurenwiel	000 ⇔ 255	Zie de Kleurenkaart
15	Kleurtemperatuur	000 ⇔ 255	Zie de Kleurtemperatuur-kaart

Kanaal	Functie	Waarde	Percentage/Instelling
16	Controle (houd 3 seconden ingedrukt)	000 ⇔ 007	Geen functie
		008 ⇔ 015	Dimmer reset
		016 ⇔ 023	Rode shift aan
		024 ⇔ 031	Rode shift uit
		032 ⇔ 039	S-curve dimcurve
		040 ⇔ 047	Lineaire dimcurve
		048 ⇔ 055	Vierkante dimcurve
		056 ⇔ 063	Omgekeerde vierkante dimcurve
		064 ⇔ 071	Dimmer snelheidsmodus uit
		072 ⇔ 079	Dimmer snelheidsmodus 1 (snel)
		080 ⇔ 087	Dimmer snelheidsmodus 2
		088 ⇔ 095	Dimmer snelheidsmodus 3 (langzaam)
		096 ⇔ 127	Gereserveerd voor toekomstig gebruik
		128 ⇔ 135	Virtuele kleurenwiel Crossfade uit
		136 ⇔ 143	Virtuele kleurenwiel Crossfade snelheid 1 (snel)
		144 ⇔ 151	Virtuele kleurenwiel Crossfade snelheid 2
		152 ⇔ 159	Virtuele kleurenwiel Crossfade snelheid 3
160 ⇔ 167	Virtuele kleurenwiel Crossfade snelheid 4 (langzaam)		
168 ⇔ 255	Gereserveerd voor toekomstig gebruik		

13Ch

Kanaal	Functie	Waarde	Percentage/Instelling
1	Dimmer	000 ⇔ 255	0–100%
2	Fijne dimmer	000 ⇔ 255	0–100%
3	Rood	000 ⇔ 255	0–100%
4	Fijn rood	000 ⇔ 255	0–100%
5	Groen	000 ⇔ 255	0–100%
6	Fijn groen	000 ⇔ 255	0–100%
7	Blauw	000 ⇔ 255	0–100%
8	Fijn blauw	000 ⇔ 255	0–100%
9	Amber	000 ⇔ 255	0–100%
10	Fijn amber	000 ⇔ 255	0–100%
11	Lime	000 ⇔ 255	0–100%
12	Fijn lime	000 ⇔ 255	0–100%
13	Stroboscoop	000 ⇔ 010	Geen functie
		011 ⇔ 255	Stroboscoop, langzaam naar snel

NL

12Ch

Kanaal	Functie	Waarde	Percentage/Instelling
1	Dimmer	000 ⇔ 255	0–100%
2	Rood	000 ⇔ 255	0–100%
3	Groen	000 ⇔ 255	0–100%
4	Blauw	000 ⇔ 255	0–100%
5	Amber	000 ⇔ 255	0–100%
6	Lime	000 ⇔ 255	0–100%
7	Stroboscoop	000 ⇔ 010	Geen functie
		011 ⇔ 255	Stroboscoop, langzaam naar snel
8	Virtueel kleurenwiel	000 ⇔ 255	Zie de Kleurenkaart
9	Kleurtemperatuur	000 ⇔ 255	Zie de Kleurtemperatuur-kaart
10	Automatisch programma	000 ⇔ 010	Geen functie
		011 ⇔ 060	Auto 1
		061 ⇔ 110	Auto 2
		111 ⇔ 160	Auto 3
		161 ⇔ 210	Auto 4
211 ⇔ 255	Auto 5 (Auto 1–4)		
11	Automatische snelheid	000 ⇔ 255	Automatische snelheid, langzaam tot snel
12	Controle (houd 3 seconden ingedrukt)	000 ⇔ 007	Geen functie
		008 ⇔ 015	Dimmer reset
		016 ⇔ 023	Rode shift aan
		024 ⇔ 031	Rode shift uit
		032 ⇔ 039	S-curve dimcurve
		040 ⇔ 047	Lineaire dimcurve
		048 ⇔ 055	Vierkante dimcurve
		056 ⇔ 063	Omgekeerde vierkante dimcurve
		064 ⇔ 071	Dimmer snelheidsmodus uit
		072 ⇔ 079	Dimmer snelheidsmodus 1 (snel)
		080 ⇔ 087	Dimmer snelheidsmodus 2
		088 ⇔ 095	Dimmer snelheidsmodus 3 (langzaam)
		096 ⇔ 127	Gereserveerd voor toekomstig gebruik
		128 ⇔ 135	Virtuele kleurenwiel Crossfade uit
		136 ⇔ 143	Virtuele kleurenwiel Crossfade snelheid 1 (snel)
		144 ⇔ 151	Virtuele kleurenwiel Crossfade snelheid 2
		152 ⇔ 159	Virtuele kleurenwiel Crossfade snelheid 3
160 ⇔ 167	Virtuele kleurenwiel Crossfade snelheid 4 (langzaam)		
168 ⇔ 255	Gereserveerd voor toekomstig gebruik		

10Ch

Kanaal	Functie	Waarde	Percentage/Instelling
1	Dimmer	000 ⇔ 255	0–100%
2	Fijne dimmer	000 ⇔ 255	0–100%
3	Rood	000 ⇔ 255	0–100%
4	Groen	000 ⇔ 255	0–100%
5	Blauw	000 ⇔ 255	0–100%
6	Amber	000 ⇔ 255	0–100%
7	Lime	000 ⇔ 255	0–100%
8	Stroboscoop	000 ⇔ 010 011 ⇔ 255	Geen functie Stroboscoop, langzaam naar snel
9	Virtueel kleurenwiel	000 ⇔ 255	Zie de Kleurenkaart
10	Kleurtemperatuur	000 ⇔ 255	Zie de Kleurtemperatuur-kaart

7Ch

Kanaal	Functie	Waarde	Percentage/Instelling
1	Dimmer	000 ⇔ 255	0–100%
2	Rood	000 ⇔ 255	0–100%
3	Groen	000 ⇔ 255	0–100%
4	Blauw	000 ⇔ 255	0–100%
5	Amber	000 ⇔ 255	0–100%
6	Lime	000 ⇔ 255	0–100%
7	Stroboscoop	000 ⇔ 010 011 ⇔ 255	Geen functie Stroboscoop, langzaam naar snel

5Ch

Kanaal	Functie	Waarde	Percentage/Instelling
1	Rood	000 ⇔ 255	0–100%
2	Groen	000 ⇔ 255	0–100%
3	Blauw	000 ⇔ 255	0–100%
4	Amber	000 ⇔ 255	0–100%
5	Lime	000 ⇔ 255	0–100%

3Ch

Kanaal	Functie	Waarde	Percentage/Instelling
1	Dimmer	000 ⇔ 255	0–100%
2	Virtueel kleurenwiel	000 ⇔ 255	Zie de Kleurenkaart
3	Kleurtemperatuur	000 ⇔ 255	Zie de Kleurtemperatuur-kaart

1Ch

Kanaal	Functie	Waarde	Percentage/Instelling
1	Dimmer	000 ⇔ 255	0–100% (kleur ingesteld via menu)

Contact Us

General Information	Technical Support
World Headquarters	
Address: 5200 NW 108th Ave. Sunrise, FL 33351 Voice: (954) 577-4455 Fax: (954) 929-5560 Toll Free: (800) 762-1084	Voice: (844) 393-7575 Fax: (954) 756-8015 Email: chauvetcs@chauvetlighting.com Website: www.chauvetprofessional.com
U.K.	
Address: Unit 1C Brookhill Road Industrial Estate Pinxton, Nottingham, UK NG16 6NT Voice: +44 (0) 1773 511115 Fax: +44 (0) 1773 511110	Email: UKtech@chauvetlighting.eu Website: www.chauvetprofessional.eu
Benelux	
Address: Stokstraat 18 9770 Kruishoutem Belgium Voice: +32 9 388 93 97	Email: BNLtech@chauvetlighting.eu Website: www.chauvetprofessional.eu
France	
Address: 3, Rue Ampère 91380 Chilly-Mazarin France Voice: +33 1 78 85 33 59	Email: FRtech@chauvetlighting.fr Website: www.chauvetprofessional.eu
Germany	
Address: Bruno-Bürgel-Str. 11 28759 Bremen Germany Voice: +49 421 62 60 20	Email: DEtech@chauvetlighting.de Website: www.chauvetprofessional.eu
Mexico	
Address: Av. de las Partidas 34 - 3B (Entrance by Calle 2) Zona Industrial Lerma Lerma, Edo. de México, CP 52000 Voice: +52 (728) 690-2010	Email: servicio@chauvet.com.mx Website: www.chauvetprofessional.mx

Visit the applicable website above to verify our contact information and instructions to request support. Outside the U.S., U. K., Ireland, Mexico, France, Germany, or Benelux, contact the dealer of record.



RoHS

