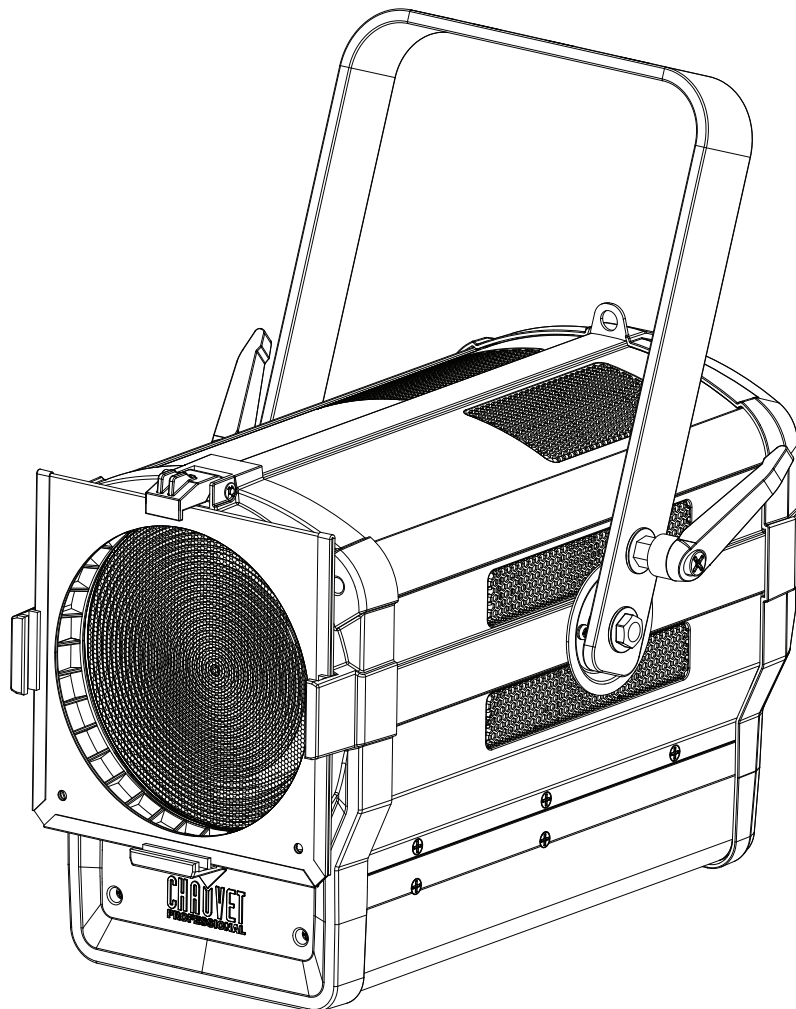


Ovation

F-415FC

Quick Reference Guide

English	EN
Español	ES
Français	FR
Deutsch	DE
Nederlands	NL



About This Guide

The Ovation F-415FC Quick Reference Guide (QRG) has basic product information such as connection, mounting, menu options, and DMX values. Download the User Manual from www.chauvetprofessional.com for more details.

Disclaimer

The information and specifications contained in this QRG are subject to change without notice.

LIMITED WARRANTY

FOR WARRANTY REGISTRATION AND COMPLETE TERMS AND CONDITIONS PLEASE VISIT OUR WEBSITE.

For Customers in the United States and Mexico: www.chauvetlighting.com/warranty-registration.

For Customers in the United Kingdom, Republic of Ireland, Belgium, the Netherlands, Luxembourg, France, and Germany: www.chauvetlighting.eu/warranty-registration/.

Chauvet warrants that this product shall be free from defects in material and workmanship under normal use, for the period specified in and subject to the exclusions and limitations set forth in, the full limited warranty on our website. This warranty extends only to the original purchaser of the product and is not transferable. To exercise rights under this warranty, the customer must provide proof of purchase in the form of an original sales receipt from an authorized dealer that shows the product name and date of purchase. THERE ARE NO OTHER EXPRESS OR IMPLIED WARRANTIES. This warranty gives the customer specific legal rights. The customer may also have other rights that vary from state to state and country to country. This warranty is valid only in the United States, United Kingdom, Republic of Ireland, Belgium, the Netherlands, Luxembourg, France, Germany and Mexico. For warranty terms in other countries, please consult a local distributor.

Safety Notes

- DO NOT open this product. It contains no user-serviceable parts.
- DO NOT look at the light source when the product is on.
- DO NOT operate this product outdoors or in any location where dust, excessive heat, water, or humidity may affect it (IP20).
- DO NOT leave any flammable material within 50 cm of this product while operating or connected to power.
- DO NOT operate this product if the housing, lenses, or cables appear damaged.
- DO NOT connect this product to a dimmer or rheostat.
- CAUTION: This product's housing may be hot when lights are operating.
- CAUTION: When transferring product from extreme temperature environments, (e.g., cold truck to warm humid ballroom) condensation may form on the internal electronics of the product. To avoid causing a failure, allow product to fully acclimate to the surrounding environment before connecting it to power.
- USE a safety cable when mounting this product overhead.
- ONLY connect this product to a grounded and protected circuit.
- ONLY use the hanging/mounting bracket to carry this product.
- Mount this product in a location with adequate ventilation, at least 20 in (50 cm) from adjacent surfaces.
- To eliminate unnecessary wear and improve its lifespan, during periods of non-use completely disconnect the product from power via breaker or by unplugging it.
- In the event of a serious operating problem, stop using immediately.
- The maximum ambient temperature is 113 °F (45 °C). Do not operate this product at higher temperatures.

FCC Compliance

This device complies with Part 15 Part B of the FCC Rules. Operation is subject to the following two conditions:

1. This device may not cause harmful interference, and
2. This device must accept any interference received, including interference that may cause undesired operation.

Any changes or modifications not expressly approved by the party responsible for compliance could void the user's authority to operate the equipment.

Contact

Outside the U.S., U.K., Ireland, Benelux, France, Germany, or Mexico, contact a distributor to request support or return a product. Refer to [Contact Us](#) at the end of this QRG for contact information.

What is Included

- Ovation F-415FC
- Neutrik® powerCON® power cord
- Gel frame holder (6.25 in/159 mm accessories)
- Quick Reference Guide

AC Power

This product has an auto-ranging power supply that can work with an input voltage range of 100–240 VAC, 50/60 Hz.

Power Linking

It is possible to link up to 13 Ovation F-415FC products at 120 VAC, 22 products at 208 V, or 24 products at 230 VAC. Never exceed this number. Power-linking cords can be purchased separately.

AC Plug

Connection	Wire (U.S.)	Wire (Europe)	Screw Color
AC Live	Black	Brown	Yellow/Brass
AC Neutral	White	Blue	Silver
AC Ground	Green/Yellow	Green/Yellow	Green



To eliminate unnecessary wear and improve its lifespan, during periods of non-use completely disconnect the product from power via breaker or by unplugging it.

Replacing the Fuse

1. Disconnect this product from power.
2. Using a Phillips #2 head screwdriver, unscrew the fuse holder cap from the housing.
3. Remove blown fuse and replace with a good fuse of the same type and rating.
4. Screw the fuse holder cap back in place and reconnect power.

DMX Linking

The Ovation F-415FC will work with a DMX controller using a 3- and 5-pin DMX serial connection. A DMX Primer is available from www.chauvetprofessional.com.

DMX Connection

The Ovation F-415FC uses a 3- and 5-pin DMX data connection for its DMX personalities: **1Ch, 3Ch, 5Ch, 7Ch, 11Ch, 13Ch, 14Ch, 18Ch**, and **HSV**. See the User Manual for information about connecting and configuring the product for DMX operation.

Master/Slave Connection

The Ovation F-415FC uses the DMX data connection for its master/slave mode. See the User Manual for information about how to connect and configure the product for master/slave operation.

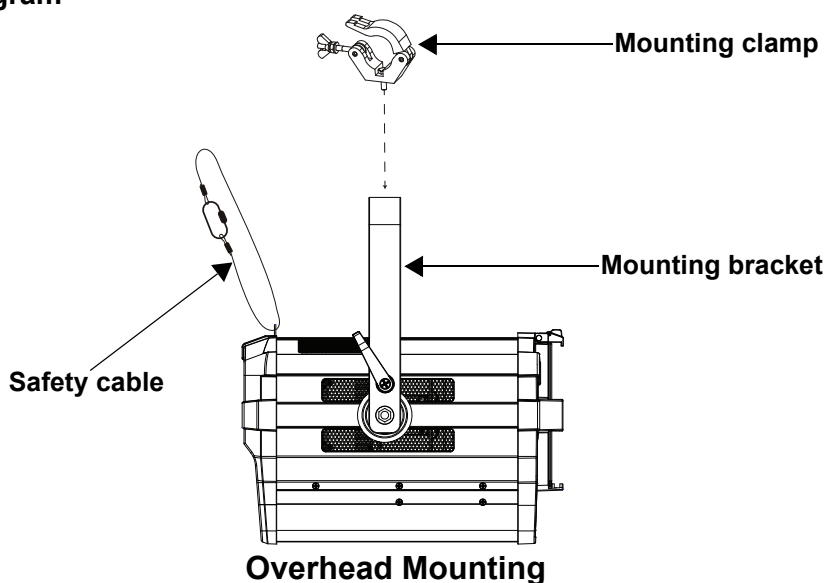
RDM (Remote Device Management)

Remote Device Management, or RDM, is a standard for allowing DMX-enabled devices to communicate bi-directionally along existing DMX cabling. Check with the manufacturer or the DMX controller's User Manual, as not all DMX controllers have this capability. The Ovation F-415FC supports RDM protocol that allows feedback to make changes to menu map options. Download the User Manual from www.chauvetprofessional.com for more details.

Mounting

Before mounting this product, read the [Safety Notes](#). Use at least one mounting point per product. Make sure the mounting clamps can support the weight of the product. For the Chauvet line of mounting clamps, go to: <http://trusst.com/productcategory/truss-clamps/>.

Product Mounting Diagram



Virtual Color Wheel (VCW)

The Ovation F-415FC includes a feature called the Virtual Color Wheel (VCW). This feature is available as a standalone control mode for manual use and as a control channel in select DMX personalities. More than 30 premixed colors, custom blended by Chauvet engineers, are available to call up for easier programming.

The DMX values used to mix these colors are provided below. The overall intensity of the Ovation fixture can be adjusted to more closely replicate familiar industry-standard colors. A chart is available on www.chauvetprofessional.com to compare Chauvet's premixed colors with popular gel colors. This chart is for comparison purposes only and is not an assertion that Chauvet's premixed colors match any of the gel colors listed.

Virtual Color Wheel Chart

DMX Channel Value	Display Readout	Red Value	Green Value	Blue Value	Amber Value	Lime Value
000 ⇔ 005	--	000	000	000	000	000
006 ⇔ 013	C3050 - Md Yellow	233	163	020	123	255
014 ⇔ 021	C3040 - Lt Yellow	224	158	047	255	231
022 ⇔ 028	C3240 - Amb Yellow	180	060	000	245	255
029 ⇔ 035	C2340 - VLt Amber	245	107	081	255	213
036 ⇔ 043	C2040 - Lt Amber	230	130	062	255	155
044 ⇔ 051	C2050 - Md Amber	255	000	025	255	194
052 ⇔ 059	C2060 - Dk Amber	255	000	024	255	150
060 ⇔ 067	C1050 - Lt Red	255	037	027	030	038
068 ⇔ 075	C1080 - Md Red	255	004	017	000	000
076 ⇔ 083	C1020 - NC Pink	238	135	129	255	255
084 ⇔ 091	C1030 - Md Pink	255	131	120	255	195
092 ⇔ 099	C1630 - Dk Pink	255	165	123	255	210
100 ⇔ 107	C1250 - Md Red Amber	255	000	041	195	055
108 ⇔ 115	C1060 - Dk Red Amber	255	000	045	120	030
116 ⇔ 121	C1650 - Magenta	255	050	115	255	115
122 ⇔ 130	C6170 - Dk Magenta	255	035	117	000	000
131 ⇔ 138	C6020 - Lt Lavender	127	122	142	251	255
139 ⇔ 146	C5030 - Lt Blue	000	255	197	100	255
147 ⇔ 154	C5020 - VLt Blue	158	255	189	000	255
155 ⇔ 162	C5430 - Lt Blue 2	000	255	180	000	243
163 ⇔ 170	C5070 - Blue	043	255	210	043	036
171 ⇔ 178	C5050 - Md Blue	000	255	218	000	181
179 ⇔ 186	C5060 - Dk Blue	000	210	206	000	118
187 ⇔ 194	C5690 - Indigo	065	000	210	040	055
195 ⇔ 202	C5080 - VDk Blue	000	203	230	000	040
203 ⇔ 210	C5081 - VDk Blue2	040	199	240	000	045
211 ⇔ 218	C4370 - Yel Green	027	255	028	016	104
219 ⇔ 226	C4070 - Green	049	255	055	120	090
227 ⇔ 234	C4550 - Turquoise	060	230	109	000	245
235 ⇔ 242	C4560 - Aqua	020	240	126	036	255
243 ⇔ 250	C4570 - Blue Green	000	255	079	030	053
251 ⇔ 255	--	000	000	000	000	000



Note: The colors above are simulated renditions of the color output produced compared with other similar incandescent products. Chauvet makes no guarantee of the color output accuracy.

Color Temperature Chart

DMX Channel Value	Display Readout	Red Value	Green Value	Blue Value	Amber Value	Lime Value
000 ⇔ 005	--	000	000	000	000	000
006 ⇔ 025	2800K	198	065	056	220	230
026 ⇔ 050	3000K	181	078	074	220	230
051 ⇔ 075	3200K	165	092	093	220	230
076 ⇔ 100	3500K	153	128	111	220	230
101 ⇔ 125	4000K	127	128	163	220	230
126 ⇔ 150	4500K	106	128	200	220	230
151 ⇔ 175	5000K	092	128	230	220	230
176 ⇔ 200	5600K	073	128	255	220	230
201 ⇔ 225	6000K	048	128	255	220	230
226 ⇔ 250	6500K	019	128	255	220	230
251 ⇔ 255	--	000	000	000	000	000



Note: The color temperatures above are simulated renditions of the color output produced compared with a tungsten lamp at the specified color temperature. Chauvet makes no guarantee of the color output accuracy.

Control Panel Description

Button	Function
<MENU>	Exits from the current menu or function
<ENTER>	Enables the currently displayed menu or sets the currently selected value into the selected function
<UP>	Navigates upwards through the menu list or increases the numeric value when in a function
<DOWN>	Navigates downwards through the menu list or decreases the numeric value when in a function
<Color Temperature>	Push twice, then turn to select the color temperature
<Dimmer>	Push twice, then turn to increase or decrease the dimmer
<Zoom>	Push twice, then turn to increase or decrease the zoom

Menu Map

Main Level	Programming Levels	Description
DMX Address	001–512*	Selects DMX address (*highest channel restricted to personality chosen)
DMX Channel	1Ch	1-channel: dimmer
	3Ch	3-channel: dimmer, virtual color wheel, color temperature
	5Ch	5-channel: RGBAL
	7Ch	7-channel: dimmer, RGBAL, strobe
	11Ch	11-channel: 16-bit dimmer, RGBAL, virtual color wheel, color temperature, strobe, zoom
	13Ch	13-channel: 16-bit dimmer, 16-bit RGBAL, strobe
	14Ch	14-channel: dimmer, RGBAL, strobe, virtual color wheel, color temperature, auto show, auto speed, control, zoom, motor reset
	18Ch	18-channel: 16-bit RGBAL and dimmer, strobe, virtual color wheel, color temperature, zoom, motor reset, control
	HSV	3-channel: hue, saturation, value

Main Level	Programming Levels		Description	
Virtual Color Wheel	Virtual Color Wheel	C3050 - Md Yellow C3040 - Lt Yellow C3240 - Amb Yellow C2340 - VLt Amber C2040 - Lt Amber C2050 - Md Amber C2060 - Dk Amber C1050 - Lt Red C1080 - Md Red C1020 - NC Pink C1030 - Md Pink C1630 - Dk Pink C1250 - Md Red Amber C1060 - Dk Red Amber C1650 - Magenta C6170 - Dk Magenta C6020 - Lt Lavender C5030 - Lt Blue C5020 - VLt Blue C5430 - Lt Blue 2 C5070 - Blue C5050 - Md Blue C5060 - Dk Blue C5690 - Indigo C5080 - Vdk Blue C5081 - Vdk Blue 2 C4370 - Yel Green C4070 - Green C4550 - Turquoise C4560 - Aqua C4570 - Blue Green	Dimmer 0–255	Virtual Color Wheel simulates the output of each gel color. Refer to the Virtual Color Wheel Chart for specific values.
	Color Temperature	2800K 3000K 3200K 3500K 4000K 4500K 5000K 5600K 6000K 6500K	Dimmer 0–255	Preset white color temperatures. Emulates a tungsten lamp at the specified color temperature. Refer to the Color Temperature Chart for specific values.
	Manual Color Mixer	Red Green Blue Amber Lime	0–255	Combines red, green, blue, amber, and lime to make a custom color (0–100%)
Auto Show	Auto 1–5	1–100	Selects automatic programs and auto program speed	
Zoom	0–255		Controls zoom	
Red Shift	On		Mimics halogen lamp dimming	
	Off			
Master/ Slave	Master		Receives DMX signal from the DMX controller (master)	
	Slave		Receives DMX signal from the master unit	

Main Level	Programming Levels		Description
Dimmer Curve	S-Curve		Sets the dimmer curve
	Linear		
Dimmer Mode	Square		Linear dimmer
	Inverse Square		
Dimmer Mode	Off		Dimming curves, from fast (Dimmer 1) to slow (Dimmer 3)
	Dimmer 1–3		
White Balance	Manual	Off	Uses factory default white setting
		Red	Sets red LED maximum value
		Green	Sets green LED maximum value
		Blue	Sets blue LED maximum value
		Amber	Sets amber LED maximum value
		Lime	Sets lime LED maximum value
LED Frequency	125–255		Sets the PWM output frequency
	600Hz		
	1200Hz		
	2000Hz		
	4000Hz		
	6000Hz		
Fan Mode	25KHz		Sets the fan to auto mode
	Auto		
	On		
	Off		
Back Light	Silent		Sets the fan to always on
	10S		Sets the fan to always off
	30S		Sets the fan to always off
	2Min		Sets the fan to silent
Information	Always On		Turns off display backlight after 10 seconds of inactivity
	Fixture Hours	----_H	Turns off display backlight after 30 seconds of inactivity
	LED Hours	----_H	Turns off display backlight after 2 minutes of inactivity
	Version	V_._	Display backlight always on
Reset Zoom w/ Power	UID		Shows total hours the product has been powered on
	-----		Shows total LED hours
Factory Reset	No		Shows current firmware version
	Yes		Shows product UID
Factory Reset	No		Keeps zoom in last position when powered on
	Yes		Resets the zoom to home position when powered on
Factory Reset	No		Resets the product to factory default settings
	Yes		



WARNING: When operating in Fan Mode: Off, the fixture will become hotter to the touch than when using other fan modes. Use proper protective equipment to prevent burns. Keep a safe distance from flammable objects.



NOTICE: When operating in Fan Mode: Off, output of the fixture will be reduced and will not reach the same levels as when using other fan modes.

EN

DMX Values

18Ch

Channel	Function	Value	Percent/Setting
1	Dimmer	000 ⇔ 255	0–100%
2	Dimmer fine	000 ⇔ 255	0–100%
3	Red	000 ⇔ 255	0–100%
4	Red fine	000 ⇔ 255	0–100%
5	Green	000 ⇔ 255	0–100%
6	Green fine	000 ⇔ 255	0–100%
7	Blue	000 ⇔ 255	0–100%
8	Blue fine	000 ⇔ 255	0–100%
9	Amber	000 ⇔ 255	0–100%
10	Amber fine	000 ⇔ 255	0–100%
11	Lime	000 ⇔ 255	0–100%
12	Lime fine	000 ⇔ 255	0–100%
13	Strobe	000 ⇔ 010 011 ⇔ 255	No function Strobe, slow to fast
14	Virtual color wheel	000 ⇔ 255	Refer to Virtual Color Wheel Chart
15	Color temperature	000 ⇔ 255	Refer to Color Temperature Chart
16	Zoom	000 ⇔ 255	Narrow to wide
17	Motor reset	000 ⇔ 200 201 ⇔ 220 221 ⇔ 255	No function Motor reset No function
18	Control (Hold for 3 seconds, then release)	000 ⇔ 007 008 ⇔ 015 016 ⇔ 023 024 ⇔ 031 032 ⇔ 039 040 ⇔ 047 048 ⇔ 055 056 ⇔ 063 064 ⇔ 071 072 ⇔ 079 080 ⇔ 087 088 ⇔ 095 096 ⇔ 103 104 ⇔ 111 112 ⇔ 119 120 ⇔ 127 128 ⇔ 255	No function Dimmer reset Red shift on Red shift off Dimmer: S-Curve Dimmer: linear Dimmer: square Dimmer: inverse square Dimmer speed mode off Dimmer speed mode 1 Dimmer speed mode 2 Dimmer speed mode 3 Fan auto Fan on Fan off Fan silent No function (reserved)

14Ch

Channel	Function	Value	Percent/Setting
1	Dimmer	000 ⇔ 255	0–100%
2	Red	000 ⇔ 255	0–100%
3	Green	000 ⇔ 255	0–100%
4	Blue	000 ⇔ 255	0–100%
5	Amber	000 ⇔ 255	0–100%
6	Lime	000 ⇔ 255	0–100%
7	Strobe	000 ⇔ 010 011 ⇔ 255	No function Strobe, slow to fast
8	Virtual color wheel	000 ⇔ 255	Refer to Virtual Color Wheel Chart
9	Color temperature	000 ⇔ 255	Refer to Color Temperature Chart
10	Auto programs	000 ⇔ 010 011 ⇔ 060 061 ⇔ 110 111 ⇔ 160 161 ⇔ 210 211 ⇔ 255	No function Auto program 1 Auto program 2 Auto program 3 Auto program 4 Auto program 5
11	Auto speed	000 ⇔ 255	Auto speed, slow to fast
12	Control (Hold for 3 seconds)	000 ⇔ 007 008 ⇔ 015 016 ⇔ 023 024 ⇔ 031 032 ⇔ 039 040 ⇔ 047 048 ⇔ 055 056 ⇔ 063 064 ⇔ 071 072 ⇔ 079 080 ⇔ 087 088 ⇔ 095 096 ⇔ 103 104 ⇔ 111 112 ⇔ 119 120 ⇔ 127 128 ⇔ 255	No function Dimmer reset Red Shift: On Red Shift: Off Dimmer: S-Curve Dimmer: linear Dimmer: square Dimmer: inverse square Dimmer speed mode off Dimmer speed mode 1 Dimmer speed mode 2 Dimmer speed mode 3 Fan auto Fan on Fan off Fan silent No function (reserved)
13	Zoom	000 ⇔ 255	Narrow to wide
14	Motor reset	000 ⇔ 200 201 ⇔ 220 221 ⇔ 255	No function Motor reset No function

EN

13Ch

Channel	Function	Value	Percent/Setting
1	Dimmer	000 ⇔ 255	0–100%
2	Dimmer fine	000 ⇔ 255	0–100%
3	Red	000 ⇔ 255	0–100%
4	Red fine	000 ⇔ 255	0–100%
5	Green	000 ⇔ 255	0–100%
6	Green fine	000 ⇔ 255	0–100%
7	Blue	000 ⇔ 255	0–100%
8	Blue fine	000 ⇔ 255	0–100%
9	Amber	000 ⇔ 255	0–100%
10	Amber fine	000 ⇔ 255	0–100%
11	Lime	000 ⇔ 255	0–100%
12	Lime fine	000 ⇔ 255	0–100%
13	Strobe	000 ⇔ 010 011 ⇔ 255	No function Strobe, slow to fast

11Ch

Channel	Function	Value	Percent/Setting
1	Dimmer	000 ⇔ 255	0–100%
2	Dimmer fine	000 ⇔ 255	0–100%
3	Red	000 ⇔ 255	0–100%
4	Green	000 ⇔ 255	0–100%
5	Blue	000 ⇔ 255	0–100%
6	Amber	000 ⇔ 255	0–100%
7	Lime	000 ⇔ 255	0–100%
8	Strobe	000 ⇔ 010 011 ⇔ 255	No function Strobe, slow to fast
9	Virtual color wheel	000 ⇔ 255	Refer to Virtual Color Wheel Chart
10	Color temperature	000 ⇔ 255	Refer to Color Temperature Chart
11	Zoom	000 ⇔ 255	Narrow to wide

7Ch

Channel	Function	Value	Percent/Setting
1	Dimmer	000 ⇔ 255	0–100%
2	Red	000 ⇔ 255	0–100%
3	Green	000 ⇔ 255	0–100%
4	Blue	000 ⇔ 255	0–100%
5	Amber	000 ⇔ 255	0–100%
6	Lime	000 ⇔ 255	0–100%
7	Strobe	000 ⇔ 010 011 ⇔ 255	No function Strobe, slow to fast

5Ch

Channel	Function	Value	Percent/Setting
1	Red	000 ⇔ 255	0–100%
2	Green	000 ⇔ 255	0–100%
3	Blue	000 ⇔ 255	0–100%
4	Amber	000 ⇔ 255	0–100%
5	Lime	000 ⇔ 255	0–100%

3Ch

Channel	Function	Value	Percent/Setting
1	Dimmer	000 ⇔ 255	0–100%
2	Virtual color wheel	000 ⇔ 255	Refer to Virtual Color Wheel Chart
3	Color temperature	000 ⇔ 255	Refer to Color Temperature Chart

1Ch

Channel	Function	Value	Percent/Setting
1	Dimmer	000 ⇔ 255	0–100% (color set through menu)

HSV

Channel	Function	Value	Percent/Setting
1	Hue	000 ⇔ 255	0–100%
2	Saturation	000 ⇔ 255	0–100%
3	Value	000 ⇔ 255	0–100%

Acerca de Esta Guía

La Guía de Referencia Rápida (GRR) del Ovation F-415FC contiene información básica sobre el producto, como montaje, opciones de menú y valores DMX. Descargue el Manual de Usuario de www.chauvetprofessional.com para información más detallada.

Exención de Responsabilidad

La información y especificaciones contenidas en esta GRR están sujetas a cambio sin previo aviso.

GARANTÍA LIMITADA

PARA VER EL REGISTRO DE GARANTÍA Y LOS TÉRMINOS Y CONDICIONES COMPLETOS, VISITE NUESTRO SITIO WEB.

Para clientes en los Estados Unidos y México: www.chauvetlighting.com/warranty-registration.

Para clientes en Reino Unido, República de Irlanda, Bélgica, Países Bajos, Luxemburgo, Francia y Alemania: www.chauvetlighting.eu/warranty-registration/.

Chauvet garantiza que este producto estará libre de defectos de material y mano de obra en condiciones de uso normales, durante el periodo especificado, sujeto siempre a las exclusiones y limitaciones establecidas en la garantía limitada completa de nuestro sitio web. Esta garantía se concede únicamente al comprador original del producto y no es transferible. Para ejercer los derechos que otorga esta garantía, usted debe proporcionar una prueba de compra en forma de un recibo de compra original, expedido por un distribuidor autorizado, donde figure el nombre del producto y la fecha de compra. **NO EXISTEN OTRAS GARANTÍAS EXPRESAS NI IMPLÍCITAS.** Esta garantía le otorga derechos legales específicos. Es posible que a usted le asistan otros derechos, que variarán dependiendo del estado o del país. Esta garantía solamente es válida en los Estados Unidos, Reino Unido, República de Irlanda, Bélgica, Países Bajos, Luxemburgo, Francia, Alemania y México. Para conocer los términos de garantía en otros países, consulte a su distribuidor local.

Notas de Seguridad

- NO abra este producto. No contiene piezas reparables por el usuario.
- NO mire a la fuente de luz cuando el producto esté encendido.
- NO ponga en funcionamiento este producto en el exterior o en cualquier ubicación en la que el polvo, calor excesivo, agua o humedad puedan afectarlo (IP20).
- NO deje ningún material inflamable a menos de 50 cm de este producto mientras esté funcionando o conectado a la alimentación.
- NO ponga en funcionamiento este producto si sospecha que la carcasa, lentes o cables están dañados.
- NO conecte este producto a un atenuador o reostato.
- CUIDADO: La carcasa de este producto está caliente cuando las luces están en funcionamiento.
- CUIDADO: Cuando transfiera el producto desde ambientes con temperatura extrema (p. ej., del remolque frío de un camión a una sala de baile con calor y humedad), puede formarse condensación en la electrónica interna del producto. Para evitar que se produzca una avería, deje que el producto se aclimate completamente al ambiente antes de conectar la alimentación.
- USE un cable de seguridad cuando monte este producto en lo alto.
- Conecte este producto SOLO a un circuito con toma de tierra y protegido.
- Use SOLAMENTE los soportes de colgar/montar para mover este producto.
- Monte este producto en una ubicación con ventilación adecuada, al menos a 20" (50 cm) de superficies adyacentes.
- Para evitar un desgaste innecesario y alargar su vida útil, desconecte completamente el producto de la alimentación, mediante el interruptor o desenchufándolo, durante los periodos en los que no se use.
- En caso de un problema grave de funcionamiento, deje de usarlo inmediatamente.
- La máxima temperatura ambiente es de 113 °F (45 °C). No haga funcionar este producto a temperaturas más altas.

Cumplimiento de la FCC

Este dispositivo cumple la parte 15, parte B de las normas FCC. El funcionamiento está supeditado al cumplimiento de estas dos condiciones:

1. Este dispositivo no puede causar interferencias perjudiciales; y
2. Este dispositivo debe aceptar cualquier interferencia recibida, incluyendo las interferencias que puedan causar un funcionamiento no deseado.

Cualquier cambio o modificación que no haya sido expresamente autorizado por la parte responsable de conformidad puede anular la potestad del usuario para hacer funcionar el equipo.

Contacto

Fuera de EE. UU., Reino Unido, Irlanda, Benelux, Francia, Alemania o México, póngase en contacto con su distribuidor para solicitar asistencia o devolver el producto. Visite [Contact Us](#) para información de contacto.

Qué va Incluido

- Ovation F-415FC
- Cable de alimentación Neutrik® powerCON®
- Marco de gel (Accesorios de 159 mm/6,25 in)
- Guía de Referencia Rápida

Corriente Alterna

Este producto tiene una fuente de alimentación con detección automática que puede funcionar con un rango de tensión de entrada de 100 a 240 VCA, 50/60 Hz.

Alimentación en Cadena

Puede enlazar hasta 13 productos Ovation F-415FC a 120 V, 22 productos a 208 V o 24 productos a 230 V. Nunca sobrepase este número. Los cables de alimentación en cadena se pueden adquirir por separado.

Enchufe CA

Conexión	Cable (EE.UU.)	Cable (Europa)	Color del tornillo
CA Cargado	Negro	Marrón	Amarillo/Latón
CA Neutro	Blanco	Azul	Plata
CA Tierra	Verde/Amarillo	Verde/Amarillo	Verde



Para evitar un desgaste innecesario y alargar su vida útil, desconecte complemente el producto de la alimentación, mediante el interruptor o desenchufándolo, durante los periodos en los que no se use.

Sustitución del Fusible

1. Desconecte el producto de la toma de corriente.
2. Con un destornillador de estrella N°2, desatornille la tapa del portafusibles.
3. Quite el fusible fundido del portafusibles y sustitúyalo con otro del mismo tipo y categoría.
4. Vuelva a atornillar la tapa del portafusibles en su sitio y conecte de nuevo la alimentación.

Enlace DMX

El Ovation F-415FC funcionará con un controlador DMX usando una conexión serial DMX de 3- y 5-pines. Hay un manual DMX disponible en www.chauvetprofessional.com.

Conexión DMX

El Ovation F-415FC usa una conexión de datos DMX de 3 y 5 pines para sus personalidades: **1Ch, 3Ch, 5Ch, 7Ch, 11Ch, 13Ch, 14Ch, 18Ch** y **HSV**. Vea el Manual de Usuario para conectar y configurar para funcionamiento DMX.

Conexión Maestro/Esclavo

El Ovation F-415FC usa la conexión de datos DMX para su modo Maestro/Esclavo. Vea el Manual de Usuario para conectar y configurar para funcionamiento Maestro/Esclavo.

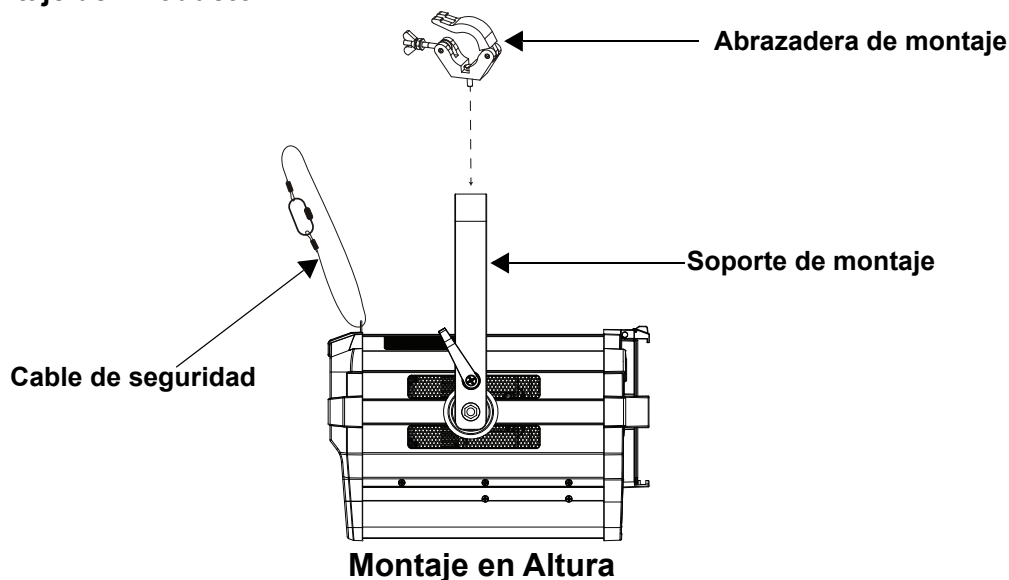
RDM (gestión remota del dispositivo)

Remote Device Management (gestión remota del dispositivo) o RDM, es un estándar que permite a los dispositivos con capacidad DMX una comunicación bidireccional por un cableado DMX existente. El Ovation F-415FC admite protocolo RDM, que posibilita información para supervisar cambiar las opciones del mapa de menú. Descargue el manual de usuario de www.chauvetprofessional.com para una información más detallada.

Montaje

Antes de montar este producto, lea las [Notas de Seguridad](#). Asegúrese de que las abrazaderas de montaje son capaces de soportar el peso del producto. Para nuestra línea Chauvet de abrazaderas de montaje, visite: <http://trusst.com/productcategory/truss-clamps/>.

Diagrama de Montaje del Producto



Rueda de Color Virtual (VCW)

El Ovation F-415FC incluye una función de rueda de color virtual llamada Virtual Color Wheel (VCW). Esta función está disponible como modo de control independiente para uso manual y también como canal de control en algunas personalidades DMX del dispositivo. Más de 30 colores premezclados, elaborados por nuestros ingenieros, están disponibles para facilitarle la programación.

Los valores DMX utilizados para mezclar estos colores se indican más abajo. Puede ajustar la intensidad general del dispositivo Ovation para reproducir más fielmente los colores a los que esté habituado. Hay un gráfico a su disposición en nuestro sitio web www.chauvetprofessional.com para comparar nuestros colores premezclados con los colores de gel más populares. Este gráfico sirve solamente para comparar y no implica que nuestros colores premezclados coincidan exactamente con los colores de gel listados.

Tabla de colores VCW

Valor del Canal DMX	Lectura en Pantalla	Valor Rojo	Valor Verde	Valor Azul	Valor Ámbar	Valor Limón
000 ⇔ 005	--	000	000	000	000	000
006 ⇔ 013	C3050 - Md Yellow	233	163	020	123	255
014 ⇔ 021	C3040 - Lt Yellow	224	158	047	255	231
022 ⇔ 028	C3240 - Amb Yellow	180	060	000	245	255
029 ⇔ 035	C2340 - VLt Amber	245	107	081	255	213
036 ⇔ 043	C2040 - Lt Amber	230	130	062	255	155
044 ⇔ 051	C2050 - Md Amber	255	000	025	255	194
052 ⇔ 059	C2060 - Dk Amber	255	000	024	255	150
060 ⇔ 067	C1050 - Lt Red	255	037	027	030	038
068 ⇔ 075	C1080 - Md Red	255	004	017	000	000
076 ⇔ 083	C1020 - NC Pink	238	135	129	255	255
084 ⇔ 091	C1030 - Md Pink	255	131	120	255	195
092 ⇔ 099	C1630 - Dk Pink	255	165	123	255	210
100 ⇔ 107	C1250 - Md Red Amber	255	000	041	195	055
108 ⇔ 115	C1060 - Dk Red Amber	255	000	045	120	030
116 ⇔ 121	C1650 - Magenta	255	050	115	255	115
122 ⇔ 130	C6170 - Dk Magenta	255	035	117	000	000
131 ⇔ 138	C6020 - Lt Lavender	127	122	142	251	255
139 ⇔ 146	C5030 - Lt Blue	000	255	197	100	255
147 ⇔ 154	C5020 - VLt Blue	158	255	189	000	255
155 ⇔ 162	C5430 - Lt Blue 2	000	255	180	000	243
163 ⇔ 170	C5070 - Blue	043	255	210	043	036
171 ⇔ 178	C5050 - Md Blue	000	255	218	000	181
179 ⇔ 186	C5060 - Dk Blue	000	210	206	000	118
187 ⇔ 194	C5690 - Indigo	065	000	210	040	055
195 ⇔ 202	C5080 - VDk Blue	000	203	230	000	040
203 ⇔ 210	C5081 - VDk Blue2	040	199	240	000	045
211 ⇔ 218	C4370 - Yel Green	027	255	028	016	104
219 ⇔ 226	C4070 - Green	049	255	055	120	090
227 ⇔ 234	C4550 - Turquoise	060	230	109	000	245
235 ⇔ 242	C4560 - Aqua	020	240	126	036	255
243 ⇔ 250	C4570 - Blue Green	000	255	079	030	053
251 ⇔ 255	--	000	000	000	000	000



Nota: Los colores listados son interpretaciones simuladas de la emisión de color generada en comparación con otros productos incandescentes similares. Chauvet no garantiza la exactitud del color emitido.

Gráfico de temperaturas de color

Valor del Canal DMX	Lectura en Pantalla	Valor Rojo	Valor Verde	Valor Azul	Valor Ámbar	Valor Limón
000 ⇔ 005	--	000	000	000	000	000
006 ⇔ 025	2800K	198	065	056	220	230
026 ⇔ 050	3000K	181	078	074	220	230
051 ⇔ 075	3200K	165	092	093	220	230
076 ⇔ 100	3500K	153	128	111	220	230
101 ⇔ 125	4000K	127	128	163	220	230
126 ⇔ 150	4500K	106	128	200	220	230
151 ⇔ 175	5000K	092	128	230	220	230
176 ⇔ 200	5600K	073	128	255	220	230
201 ⇔ 225	6000K	048	128	255	220	230
226 ⇔ 250	6500K	019	128	255	220	230
251 ⇔ 255	--	000	000	000	000	000



Nota: Las temperaturas de color que aparecen arriba son interpretaciones simuladas de la emisión de color producida cuando se compara con una lámpara de tungsteno a la temperatura de color especificada. Chauvet no garantiza la exactitud del color emitido.

Descripción del Panel de Control

Botón	Función
<MENU>	Sale del menú o función actual
<ENTER>	Habilita el menú actualmente en pantalla o configura el valor seleccionado actualmente dentro de la función seleccionada
<UP>	Navega hacia arriba por la lista de menú o aumenta el valor numérico cuando está en una función
<DOWN>	Navega hacia abajo por la lista de menú o disminuye el valor numérico cuando está en una función
<Color Temperature>	Empuje y después gire para seleccionar la temperatura de color
<Dimmer>	Empuje y después gire para aumentar o reducir el atenuador
<Zoom>	Empuje y después gire para aumentar o reducir el zoom

Mapa de Menú

Nivel Principal	Niveles de Programación	Descripción
DMX Address	001–512*	Selecciona la dirección de inicio (*canal más alto restringido a la elección de personalidad)
DMX Channel	1Ch	1 canal: atenuador
	3Ch	3 canales: atenuador, VCW, temperatura de color
	5Ch	5 canales: control RVAAL
	7Ch	7 canales: control RVAAL, atenuador, estroboscopio
	11Ch	11 canales: atenuador, fino atenuador, control RVAAL, estroboscopio, VCW, temperatura de color, zoom
	13Ch	13 canales: 16-bit control RVAAL y atenuador, estroboscopio
	14Ch	14 canales: atenuador, RVAAL, estroboscopio, VCW, temperatura de color, programas automática, velocidad automática, control, zoom, reinicio del motor
	18Ch	18 canales: atenuador, fino atenuador, 16-bit control RVAAL, estroboscopio, VCW, temperatura de color, zoom, reinicio del motor, control
	HSV	3 canales: tono, saturación, valor

Nivel Principal	Niveles de Programación		Descripción	
Virtual Color Wheel	Virtual Color Wheel	C3050 - Md Yellow C3040 - Lt Yellow C3240 - Amb Yellow C2340 - VLt Amber C2040 - Lt Amber C2050 - Md Amber C2060 - Dk Amber C1050 - Lt Red C1080 - Md Red C1020 - NC Pink C1030 - Md Pink C1630 - Dk Pink C1250 - Md Red Amber C1060 - Dk Red Amber C1650 - Magenta C6170 - Dk Magenta C6020 - Lt Lavender C5030 - Lt Blue C5020 - VLt Blue C5430 - Lt Blue 2 C5070 - Blue C5050 - Md Blue C5060 - Dk Blue C5690 - Indigo C5080 - VDK Blue C5081 - VDK Blue 2 C4370 - Yel Green C4070 - Green C4550 - Turquoise C4560 - Aqua C4570 - Blue Green	Dimmer 0–255	Rueda de Color Virtual simula la emisión de cada gel de color. Consulte la sección Tabla de colores VCW para ver los valores específicos.
	Color Temperature	2800K 3000K 3200K 3500K 4000K 4500K 5000K 5600K 6000K 6500K	Dimmer 0–255	Temperaturas de color blanco. Emula una lámpara de tungsteno a la temperatura de color especificada. Consulte el apartado Gráfico de temperaturas de color para ver valores concretos.
	Manual Color Mixer	Red Green Blue Amber Lime	0–255	Combina rojo, verde, azul, ámbar y lime para generar un color personalizado (0–100%)
Auto Show	Auto 1–5	1–100	Selecciona programas automáticos y velocidad de programas automáticos	
Zoom	0–255		Controla el zoom	
Red Shift	On Off		Imita la atenuación de una lámpara halógena	
Master/Slave	Master Slave		Recibe señales DMX del controlador DMX (maestro) Recibe señales del maestro	

Nivel Principal	Niveles de Programación		Descripción	
Dimmer Curve	S-Curve Linear Square Inverse Square		Configura la curva del atenuador	
Dimmer Mode	Off		Atenuador lineal	
	Dimmer 1–3		Curvas de atenuador, rápido (Dimmer 1) a lento (Dimmer 3)	
White Balance	Off		Utiliza la configuración de blanco predeterminada de fábrica	
	Manual	Red	125–255	Establece el valor máximo de LED rojo
		Green		Establece el valor máximo de LED verde
		Blue		Establece el valor máximo de LED azul
		Amber		Establece el valor máximo de LED ámbar
		Lime		Establece el valor máximo de LED lime
LED Frequency	600Hz 1200Hz 2000Hz 4000Hz 6000Hz 25KHz		Selecciona la frecuencia de emisión PWM	
Fan Mode	Auto		Establece el ventilador a modo auto	
	On		Establece el ventilador a modo siempre encendido	
	Off		Establece el ventilador siempre apagado	
	Silent		Establece el ventilador en silencio	
Back Light	10S		Retro-iluminación de la pantalla se apaga después de 10 segundos de inactividad	
	30S		Retro-iluminación de la pantalla se apaga después de 30 segundos de inactividad	
	2Min		Retro-iluminación de la pantalla se apaga después de 2 minutos de inactividad	
	Always On		Retro-iluminación de la pantalla siempre activa	
Information	Fixture Hours	____H	Muestra el nombre total de las horas del producto	
	LED Hours	____H	Muestra el total de horas de LED	
	Version	V_._	Muestra instalada la versión de firmware	
	UID	_____	Muestra el UID # del producto	
Reset Zoom w/ Power	No		Mantiene el zoom en la última posición cuando se enciende	
	Yes		Restablece el zoom a la posición inicial cuando se enciende	
Factory Reset	No		Reinicia a la configuración de fábrica	
	Yes			



ADVERTENCIA: Cuando funcione en modo ventilador: apagado, el aparato estará más caliente al tacto que si se usan otros modos de ventilador. Utilice un equipo de protección adecuado para evitar quemaduras. Mantenga una distancia de seguridad con objetos inflamable.



AVISO: Cuando funcione en modo ventilador: apagado, bajará el rendimiento del aparato y no alcanzará los mismos niveles que cuando use otros modos de ventilador.

DMX Values

18Ch

Canal	Función	Valor	Porcentaje/Configuración
1	Atenuador	000 ⇔ 255	0–100%
2	Atenuador fino	000 ⇔ 255	0–100%
3	Rojo	000 ⇔ 255	0–100%
4	Rojo fino	000 ⇔ 255	0–100%
5	Verde	000 ⇔ 255	0–100%
6	Verde fino	000 ⇔ 255	0–100%
7	Azul real	000 ⇔ 255	0–100%
8	Azul real fino	000 ⇔ 255	0–100%
9	Ámbar	000 ⇔ 255	0–100%
10	Ámbar fino	000 ⇔ 255	0–100%
11	Lima	000 ⇔ 255	0–100%
12	Lima fino	000 ⇔ 255	0–100%
13	Estroboscopio	000 ⇔ 010 011 ⇔ 255	Sin función Estroboscopio, lento a rápido
14	Rueda de color virtual	000 ⇔ 255	Referirse a Tabla de colores VCW
15	Temperatura del color	000 ⇔ 255	Referirse a Gráfico de temperaturas de color
16	Zoom	000 ⇔ 255	Estrecho a ancho
17	Reinicio del motor	000 ⇔ 200 201 ⇔ 220 221 ⇔ 255	Sin función Reinicio del motor Sin función
18	Control (mantenga por 3 segundos, luego suelte)	000 ⇔ 007 008 ⇔ 015 016 ⇔ 023 024 ⇔ 031 032 ⇔ 039 040 ⇔ 047 048 ⇔ 055 056 ⇔ 063 064 ⇔ 071 072 ⇔ 079 080 ⇔ 087 088 ⇔ 095 096 ⇔ 103 104 ⇔ 111 112 ⇔ 119 120 ⇔ 127 128 ⇔ 255	Sin función Reinicia a el atenuador Cambio de rojo: encendido Cambio de rojo: apagado Curva de atenuador curva-S Curva de atenuador lineal Curva de atenuador cuadrado Curva de atenuador cuadrado inverso Modo atenuador apagado Modo atenuador 1 Modo atenuador 2 Modo atenuador 3 Establece el ventilador a modo auto Establece el ventilador a modo siempre encendido Establece el ventilador siempre apagado Establece el ventilador en silencio Sin función (reservado)

14Ch

Canal	Función	Valor	Porcentaje/Configuración
1	Atenuador	000 ⇔ 255	0–100%
2	Rojo	000 ⇔ 255	0–100%
3	Verde	000 ⇔ 255	0–100%
4	Azul	000 ⇔ 255	0–100%
5	Ámbar	000 ⇔ 255	0–100%
6	Lima	000 ⇔ 255	0–100%
7	Estroboscopio	000 ⇔ 010 011 ⇔ 255	Sin función Estroboscopico, lento a rápido
8	Rueda de color virtual	000 ⇔ 255	Referirse a Tabla de colores VCW
9	Temperatura del color	000 ⇔ 255	Referirse a Gráfico de temperaturas de color
10	Programas automática	000 ⇔ 010 011 ⇔ 060 061 ⇔ 110 111 ⇔ 160 161 ⇔ 210 211 ⇔ 255	Sin función Auto programas 1 Auto programas 2 Auto programas 3 Auto programas 4 Auto programas 5
11	Velocidad automática	000 ⇔ 255	0–100%
12	Control (mantenga por 3 segundos, luego suelte)	000 ⇔ 007 008 ⇔ 015 016 ⇔ 023 024 ⇔ 031 032 ⇔ 039 040 ⇔ 047 048 ⇔ 055 056 ⇔ 063 064 ⇔ 071 072 ⇔ 079 080 ⇔ 087 088 ⇔ 095 096 ⇔ 103 104 ⇔ 111 112 ⇔ 119 120 ⇔ 127 128 ⇔ 255	Sin función Reinicia a el atenuador Cambio de rojo: encendido Cambio de rojo: apagado Curva de atenuador curva-S Curva de atenuador lineal Curva de atenuador cuadrado Curva de atenuador cuadrado inverso Modo atenuador apagado Modo atenuador 1 Modo atenuador 2 Modo atenuador 3 Establece el ventilador a modo auto Establece el ventilador a modo siempre encendido Establece el ventilador siempre apagado Establece el ventilador en silencio Sin función (reservado)
13	Zoom	000 ⇔ 255	Estrecho a ancho
14	Reinicio del motor	000 ⇔ 200 201 ⇔ 220 221 ⇔ 255	Sin función Reinicio del motor Sin función

ES

13Ch

Canal	Función	Valor	Porcentaje/Configuración
1	Atenuador	000 ⇔ 255	0–100%
2	Atenuador fino	000 ⇔ 255	0–100%
3	Rojo	000 ⇔ 255	0–100%
4	Rojo fino	000 ⇔ 255	0–100%
5	Verde	000 ⇔ 255	0–100%
6	Verde fino	000 ⇔ 255	0–100%
7	Azul real	000 ⇔ 255	0–100%
8	Azul real fino	000 ⇔ 255	0–100%
9	Ámbar	000 ⇔ 255	0–100%
10	Ámbar fino	000 ⇔ 255	0–100%
11	Lima	000 ⇔ 255	0–100%
12	Lima fino	000 ⇔ 255	0–100%
13	Estroboscopio	000 ⇔ 010 011 ⇔ 255	Sin función Estroboscopio, lento a rápido

11Ch

Canal	Función	Valor	Porcentaje/Configuración
1	Atenuador	000 ⇔ 255	0–100%
2	Atenuador fino	000 ⇔ 255	0–100%
3	Rojo	000 ⇔ 255	0–100%
4	Verde	000 ⇔ 255	0–100%
5	Azul	000 ⇔ 255	0–100%
6	Ámbar	000 ⇔ 255	0–100%
7	Lima	000 ⇔ 255	0–100%
8	Estroboscopio	000 ⇔ 010 011 ⇔ 255	Sin función Estroboscopico, lento a rápido
9	Rueda de color virtual	000 ⇔ 255	Referirse a Tabla de colores VCW
10	Temperatura del color	000 ⇔ 255	Referirse a Gráfico de temperaturas de color
11	Zoom	000 ⇔ 255	Estrecho a ancho

7Ch

Canal	Función	Valor	Porcentaje/Configuración
1	Atenuador	000 ⇔ 255	0–100%
2	Rojo	000 ⇔ 255	0–100%
3	Verde	000 ⇔ 255	0–100%
4	Azul	000 ⇔ 255	0–100%
5	Ámbar	000 ⇔ 255	0–100%
6	Lima	000 ⇔ 255	0–100%
7	Estroboscopio	000 ⇔ 010 011 ⇔ 255	Sin función Estroboscopico, lento a rápido

5Ch

Canal	Función	Valor	Porcentaje/Configuración
1	Rojo	000 ⇔ 255	0–100%
2	Verde	000 ⇔ 255	0–100%
3	Azul	000 ⇔ 255	0–100%
4	Ámbar	000 ⇔ 255	0–100%
5	Lima	000 ⇔ 255	0–100%

3Ch

Canal	Función	Valor	Porcentaje/Configuración
1	Atenuador	000 ⇔ 255	0–100%
2	Temperatura del color	000 ⇔ 255	Referirse a Tabla de colores VCW
3	Rueda de color virtual	000 ⇔ 255	Referirse a Gráfico de temperaturas de color

1Ch

Canal	Función	Valor	Porcentaje/Configuración
1	Atenuador	000 ⇔ 255	0–100%

HSV

Canal	Función	Valor	Porcentaje/Configuración
1	Tono	000 ⇔ 255	0–100%
2	Saturación	000 ⇔ 255	0–100%
3	Valor	000 ⇔ 255	0–100%

À Propos de ce Manuel

Le Manuel de Référence du Ovation F-415FC (MR) reprend des informations de base sur cet appareil notamment en matière de connexions, montage, options de menu et valeurs DMX. Télécharger le Manuel d'Utilisation sur www.chauvetprofessional.com pour de plus amples informations.

Clause de Non-Responsabilité

Les informations et caractéristiques contenues dans ce manuel sont sujettes à changement sans préavis.

GARANTIE LIMITÉE

VEUILLEZ VISITER NOTRE SITE INTERNET POUR CONSULTER LES MODALITÉS D'ENREGISTREMENT DE LA GARANTIE ET LES CONDITIONS GÉNÉRALES COMPLÈTES.

Pour les clients aux États-Unis et au Mexique: www.chauvetlighting.com/warranty-registration.

Pour les clients du Royaume-Uni, de la République d'Irlande, de la Belgique, des Pays-Bas, du Luxembourg, de la France et de l'Allemagne: www.chauvetlighting.eu/warranty-registration/.

Chauvet garantit que cet appareil est exempt de défauts de matériaux et de fabrication dans des conditions normales d'utilisation, pendant la période spécifiée dans la garantie limitée complète consultable sur notre site Internet et sous réserve des exclusions et limitations qui y sont énoncées. Cette garantie ne s'applique qu'à l'acheteur initial du produit et n'est pas transférable. Pour exercer les droits prévus par cette garantie, vous devez fournir une preuve d'achat sous la forme d'un reçu de vente original d'un revendeur autorisé qui indique le nom du produit et la date d'achat. IL N'EXISTE AUCUNE AUTRE GARANTIE EXPRESSE OU IMPLICITE. Cette garantie vous confère des droits légaux spécifique. Vous pouvez également bénéficier d'autres droits qui varient selon les états et les pays. Cette garantie n'est valable qu'aux États-Unis, au Royaume-Uni, en République d'Irlande, en Belgique, aux Pays-Bas, au Luxembourg, en France, en Allemagne et au Mexique. Pour connaître les conditions de garantie dans d'autres pays, veuillez consulter votre revendeur local.

Consignes de Sécurité

- N'ouvrez PAS cet appareil. Il ne contient aucun composant susceptible d'être réparé par l'utilisateur.
- Ne regardez PAS la source lumineuse lorsque l'appareil fonctionne.
- N'utilisez PAS ce produit en extérieur ou tout autre endroit où de la poussière, une chaleur excessive, de l'eau ou de l'humidité pour en affecter le fonctionnement (IP20).
- Ne laissez AUCUNE source inflammable dans un rayon de 50 cm de l'appareil lorsque celui-ci fonctionne.
- N'utilisez PAS cet appareil si le boîtier, les lentilles ou les câbles vous semblent endommagés.
- Ne connectez PAS cet appareil ni à un gradateur ni à un rhéostat.
- ATTENTION : le boîtier de cet appareil est brûlant lors du fonctionnement.
- ATTENTION : Lorsque l'appareil est transféré d'un environnement à température extrême à un autre (par exemple d'un camion froid vers une salle de bal chaude et humide), de la condensation peut se former sur les composants électriques internes. Pour éviter de causer des dommages, laissez l'appareil s'acclimater entièrement au milieu environnant avant de le mettre sous tension.
- Utilisez TOUJOURS un câble de sécurité lorsque vous montez cet appareil en hauteur.
- Connectez UNIQUEMENT cet appareil à un circuit protégé et relié à la terre.
- Transportez/Suspendez cet appareil UNIQUEMENT par le support de montage dont il est doté.
- Montez toujours cet appareil dans un endroit bien ventilé, à au moins, 20 pouces (50 cm) des surfaces adjacentes.
- Durant les périodes de non-utilisation, pour éviter toute usure inutile et pour prolonger la durée de vie, déconnectez entièrement l'appareil en le débranchant de l'alimentation électrique ou en coupant le disjoncteur.
- En cas de sérieux problèmes de fonctionnement, arrêtez le système immédiatement.
- La température ambiante maximale supportée par cet appareil est de 113 °F (45 °C). Ne le faites pas fonctionner à des températures plus élevées.

Conformité FCC

Cet appareil est conforme à la partie 15, sous-partie B du règlement de la FCC. L'utilisation est soumise aux deux conditions suivantes :

1. Cet appareil ne doit pas causer d'interférences nuisibles, et
2. Cet appareil doit accepter toutes les interférences reçues, y compris celles pouvant entraîner un fonctionnement indésirable.

Tout changement ou modification non expressément approuvé par l'autorité responsable de la conformité pourrait annuler le droit de l'utilisateur à utiliser l'équipement.

Contact

En dehors des États-Unis, du Royaume-Uni, de l'Irlande, du Benelux, de la France, de l'Allemagne, ou du Mexique, contactez votre fournisseur si vous avez besoin d'assistance ou de retourner votre appareil. Consultez le site [Contact Us](#) pour trouver nos coordonnées.

Ce Qui est Inclus

- Ovation F-415FC
- Un cordon d'alimentation Neutrik® powerCON®
- Cadre pour gélatine (159 mm/6,25 in accessoires)
- Un Manuel de Référence

Alimentation CA

Cet appareil est doté d'une alimentation universelle prenant en charge toute tension d'entrée comprise entre 100 et 240 VCA, 50/60 Hz.

Connexion Électrique

Vous pouvez connecter jusqu'à 13 Ovation F-415FC à 120 V, 22 unités à 208 V ou 24 unités à 230 V. Ne dépassez jamais cette limite. Vous pouvez vous procurer séparément des cordons d'alimentation.

Prise CA

Connexion	Câble (États-Unis)	Câble (Europe)	Couleur de la vis
Conducteur CA	Noir	Marron	Jaune/Cuivré
Neutre CA	Blanc	Bleu	Argenté
Terre CA	Vert/Jaune	Vert/Jaune	Vert



Durant les périodes de non-utilisation, pour éviter toute usure inutile et pour prolonger la durée de vie, déconnectez-entièrement l'appareil en le débranchant de l'alimentation électrique ou en coupant le disjoncteur.

Remplacement du Fusible

1. Débranchez l'appareil de la prise.
2. À l'aide d'un tournevis à tête n°2, dévissez le couvercle du porte-fusible.
3. Remplacez le fusible obsolète par un fusible neuf équivalent.
4. Revissez le couvercle du porte-fusible et rebranchez l'unité.

Raccordement DMX

Le Ovation F-415FC fonctionnera avec un jeu d'orgues DMX au moyen de connexions série DMX à 3 et 5 broches. Une introduction au DMX est à votre disposition sur www.chauvetprofessional.com.

Connexion DMX

Le Ovation F-415FC utilise une connexion de données DMX à 3 et 5 broches pour ses personnalités DMX: **2Ch, 4Ch, 5Ch, 8Ch, 12Ch, 14Ch, 15Ch, 18Ch** et **HSV**. Consultez le Manuel d'Utilisation pour connecter et configurer le système DMX.

Connexion Maître/ Esclave

Le Ovation F-415FC utilise une connexion de données DMX pour son mode Maître/Esclave. Consultez le Manuel d'Utilisation pour connecter et configurer le mode de fonctionnement Maître/Esclave.

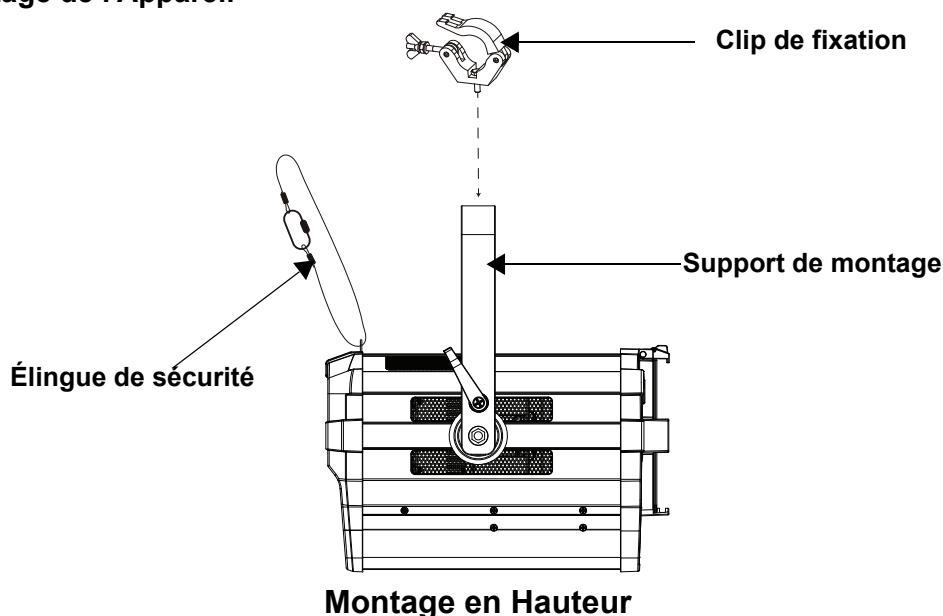
RDM (Gestion des périphériques à distance)

Le protocole RDM (gestion des périphériques à distance) est un standard pour la communication bidirectionnelle des appareils dotés de fonctions DMX dans un câblage DMX existant. Le Ovation F-415FC supporte le protocole RDM permettant un retour d'information pour la surveillance et des changements des options de menu. Veuillez télécharger le manuel de l'utilisateur à partir du site internet www.chauvetprofessional.com pour plus de détails.

Installation

Avant de monter cet appareil, lisez et assimilez les [Consignes de Sécurité](#). Veillez à ce que les fixations sont capables de supporter le poids de l'unité. Découvrez notre gamme de fixations Chauvet sur <http://trusst.com/productcategory/truss-clamps/>.

Schéma de Montage de l'Appareil



Roue de Couleurs Virtuelles (VCW)

Le Ovation F-415FC dispose d'une fonction appelée Roue de Couleur Virtuelle (VCW - Virtual Color Wheel). Cette fonction est disponible en mode de contrôle autonome pour une utilisation manuelle mais également en tant que canal de contrôle dans certaines personnalités DMX. Plus de 30 couleurs pré-mélangées, personnalisées par nos ingénieurs, sont disponibles pour faciliter la programmation.

Les valeurs DMX utilisées pour mélanger ces couleurs sont indiquées ci-dessous. Vous pouvez ajuster l'intensité globale du Ovation afin de reproduire plus fidèlement les couleurs que vous avez l'habitude d'utiliser. Un graphique est disponible sur notre site Web à l'adresse www.chauvetprofessional.com pour comparer nos couleurs pré-mélangées avec des couleurs de gel populaires. Ce tableau est fourni uniquement à des fins de comparaison et ne certifie pas que nos couleurs pré-mélangées correspondent aux couleurs de gel énumérées.

Gamme de couleurs

Valeurs des Canaux DMX	Affichage à l'Écran	Valeur Rouge	Valeur Vert	Valeur Bleu	Valeur Ambre	Valeur Lime
000 ⇔ 005	--	000	000	000	000	000
006 ⇔ 013	C3050 - Md Yellow	233	163	020	123	255
014 ⇔ 021	C3040 - Lt Yellow	224	158	047	255	231
022 ⇔ 028	C3240 - Amb Yellow	180	060	000	245	255
029 ⇔ 035	C2340 - VLt Amber	245	107	081	255	213
036 ⇔ 043	C2040 - Lt Amber	230	130	062	255	155
044 ⇔ 051	C2050 - Md Amber	255	000	025	255	194
052 ⇔ 059	C2060 - Dk Amber	255	000	024	255	150
060 ⇔ 067	C1050 - Lt Red	255	037	027	030	038
068 ⇔ 075	C1080 - Md Red	255	004	017	000	000
076 ⇔ 083	C1020 - NC Pink	238	135	129	255	255
084 ⇔ 091	C1030 - Md Pink	255	131	120	255	195
092 ⇔ 099	C1630 - Dk Pink	255	165	123	255	210
100 ⇔ 107	C1250 - Md Red Amber	255	000	041	195	055
108 ⇔ 115	C1060 - Dk Red Amber	255	000	045	120	030
116 ⇔ 121	C1650 - Magenta	255	050	115	255	115
122 ⇔ 130	C6170 - Dk Magenta	255	035	117	000	000
131 ⇔ 138	C6020 - Lt Lavender	127	122	142	251	255
139 ⇔ 146	C5030 - Lt Blue	000	255	197	100	255
147 ⇔ 154	C5020 - VLt Blue	158	255	189	000	255
155 ⇔ 162	C5430 - Lt Blue 2	000	255	180	000	243
163 ⇔ 170	C5070 - Blue	043	255	210	043	036
171 ⇔ 178	C5050 - Md Blue	000	255	218	000	181
179 ⇔ 186	C5060 - Dk Blue	000	210	206	000	118
187 ⇔ 194	C5690 - Indigo	065	000	210	040	055
195 ⇔ 202	C5080 - VDk Blue	000	203	230	000	040
203 ⇔ 210	C5081 - VDk Blue2	040	199	240	000	045
211 ⇔ 218	C4370 - Yel Green	027	255	028	016	104
219 ⇔ 226	C4070 - Green	049	255	055	120	090
227 ⇔ 234	C4550 - Turquoise	060	230	109	000	245
235 ⇔ 242	C4560 - Aqua	020	240	126	036	255
243 ⇔ 250	C4570 - Blue Green	000	255	079	030	053
251 ⇔ 255	--	000	000	000	000	000



Remarque: Les couleurs ci-dessus sont des rendus simulés de couleurs produits sur base des couleurs émises par les appareils à incandescence. Chauvet ne peut garantir l'exactitude du rendu d'une couleur.

Gamme des températures de couleur

Valeurs des Canaux DMX	Affichage à l'Écran	Valeur Rouge	Valeur Vert	Valeur Bleu	Valeur Ambre	Valeur Lime
000 ⇔ 005	--	000	000	000	000	000
006 ⇔ 025	2800K	198	065	056	220	230
026 ⇔ 050	3000K	181	078	074	220	230
051 ⇔ 075	3200K	165	092	093	220	230
076 ⇔ 100	3500K	153	128	111	220	230
101 ⇔ 125	4000K	127	128	163	220	230
126 ⇔ 150	4500K	106	128	200	220	230
151 ⇔ 175	5000K	092	128	230	220	230
176 ⇔ 200	5600K	073	128	255	220	230
201 ⇔ 225	6000K	048	128	255	220	230
226 ⇔ 250	6500K	019	128	255	220	230
251 ⇔ 255	--	000	000	000	000	000



Remarque: Les températures de couleur ci-dessus sont des rendus simulés de la sortie de couleur effectivement générée par comparaison avec une lampe tungstène à la température de couleur spécifiée. Chauvet ne donne aucune garantie sur la précision de la sortie de couleur.

Description du Tableau de Commandes

Bouton	Fonction
<MENU>	Permet la sortie du menu ou de la fonction en cours
<ENTER>	Permet l'affichage du menu en cours ou permet de configurer la valeur en cours dans la fonction sélectionnée
<UP>	Permet de parcourir les listes ou les menus vers le haut, dans une fonction permet d'augmenter les valeurs numériques
<DOWN>	Permet de parcourir les listes ou les menus vers le bas, dans une fonction permet de diminuer les valeurs numériques
<Color Temperature>	Appuyez puis tournez pour sélectionner la température de couleur
<Dimmer>	Appuyez puis tournez pour augmenter ou diminuer le gradateur
<Zoom>	Appuyez puis tournez pour augmenter ou diminuer le zoom

Tableau de Menu

Niveau Principal	Niveaux de Programmation	Description
DMX Address	001–512*	Permet de sélectionner l'adresse de démarrage (*le canal le plus élevé est restreint à la personnalité choisie)
DMX Channel	1Ch	1 canal: gradateur
	3Ch	3 canaux: gradateur, VCW, température de la couleur
	5Ch	5 canaux: RVBAL control
	7Ch	7 canaux: RVBAL control, gradateur, stroboscope,
	11Ch	11 canaux: gradateur 16-bit, RVBAL control, stroboscope, VCW, température de la couleur, zoom,
	13Ch	13 canaux: gradateur 16-bit, RVBAL control 16-bit, stroboscope
	14Ch	14 canaux: gradateur, RVBAL control, stroboscope, VCW, température de couleur, programmes automatique, vitesse automatique, control, zoom, réinitialisation du moteur
	18Ch	18 canaux: gradateur 16-bit, RVBAL control 16-bit, stroboscope, VCW, température de la couleur, zoom, réinitialisation du moteur, control
	HSV	3 canaux: hue, saturation, value

Niveau Principal	Niveaux de Programmation		Description	
Virtual Color Wheel	Virtual Color Wheel	C3050 - Md Yellow C3040 - Lt Yellow C3240 - Amb Yellow C2340 - VLt Amber C2040 - Lt Amber C2050 - Md Amber C2060 - Dk Amber C1050 - Lt Red C1080 - Md Red C1020 - NC Pink C1030 - Md Pink C1630 - Dk Pink C1250 - Md Red Amber C1060 - Dk Red Amber C1650 - Magenta C6170 - Dk Magenta C6020 - Lt Lavender C5030 - Lt Blue C5020 - VLt Blue C5430 - Lt Blue 2 C5070 - Blue C5050 - Md Blue C5060 - Dk Blue C5690 - Indigo C5080 - VDk Blue C5081 - VDk Blue 2 C4370 - Yel Green C4070 - Green C4550 - Turquoise C4560 - Aqua C4570 - Blue Green	Dimmer 0–255	Roue de Couleurs Virtuelles (VCW) simule le rendu des gélaines de couleur. Consultez la section Gamme de couleurs pour en connaître les valeurs spécifiques.
		2800K 3000K 3200K 3500K 4000K 4500K 5000K 5600K 6000K 6500K	Dimmer 0–255	Températures de couleur de blanc prédéfinies. Simule une lampe tungstène à la température de couleur spécifiée. Référez vous à la section Gamme des températures de couleur pour les valeurs spécifiques
		Red Green Blue Amber Lime	0–255	Combine les couleurs rouge, vert, bleu, ambre et lime pour un résultat personnalisé (0–100%)
Auto Show	Auto 1–5	1–100	Sélectionne les programmes automatiques et vitesse auto	
Zoom	0–255		Commande du zoom	
Red Shift	On		Imite la gradation des lampes halogènes	
	Off			
Master/ Slave	Master		Recevez le signal DMX du contrôleur DMX (maître)	
	Slave		Recevoir le signal de l'unité maître (esclave)	

Niveau Principal	Niveaux de Programmation		Description
Dimmer Curve	S-Curve Linear Square Inverse Square		Définir la courbe de gradation
Dimmer Mode	Off		Gradateur linéaire
	Dimmer 1–3		Courbes de gradation rapide (Dimmer 1) à lent (Dimmer 3)
White Balance	Manual	Off	Utilise le paramétrage de blanc défini en usine
		Red	Définit la valeur maximale de LED rouge
		Green	Définit la valeur maximale de LED vert
		Blue	Définit la valeur maximale de LED bleu
		Amber	Définit la valeur maximale de LED ambre
		Lime	Définit la valeur maximale de LED lime
LED Frequency	125–255		Permet de sélectionner la fréquence de sortie MLI
	600Hz		
	1200Hz		
	2000Hz		
	4000Hz		
	6000Hz		
Fan Mode	Auto		Réglez le ventilateur en mode automatique
	On		Réglez le mode de ventilateur toujours
	Off		Règle le ventilateur sur toujours
	Silent		Règle le ventilateur sur silencieux
Back Light	10S		Désactive l'affichage rétro-éclairage après 10 secondes d'inactivité
	30S		Désactive l'affichage rétro-éclairage après 30 secondes d'inactivité
	2Min		Désactive l'affichage rétro-éclairage après 2 minutes d'inactivité
	Always On		Affichage rétro-éclairage toujours active
Information	Fixture Hours	----H	Affiche le nombre total des heures du produit
	LED Hours	<----H>	Affiche le nombre total d'heures de LED
	Version	V_._	Affiche la version du logiciel installée
	UID	-----	Affiche UID actuel
Reset Zoom w/ Power	No		Conserve la dernière position de zoom à la mise sous tension
	Yes		Réinitialise le zoom en position d'origine à la mise sous tension
Factory Reset	No		Permet de réinitialiser aux valeurs par défaut d'usine
	Yes		



ATTENTION: Lors du fonctionnement en mode ventilateur: Lorsque le ventilateur est à l'arrêt, l'appareil devient plus chaud au toucher que lors de l'utilisation des autres modes de ventilateur. Utilisez un équipement de protection approprié pour prévenir des brûlures. Tenir à l'écart de tout objet inflammable.



REMARQUE: Lors du fonctionnement en mode ventilateur: Lorsque le ventilateur est à l'arrêt, le rendement de l'appareil est réduit et ne peut pas atteindre les mêmes niveaux que lors de l'utilisation des autres modes de ventilateur.

FR

DMX Values

18Ch

Canal	Fonction	Valeur	Pourcentage/Configuration
1	Gradateur	000 ⇔ 255	0–100%
2	Gradateur fin	000 ⇔ 255	0–100%
3	Rouge	000 ⇔ 255	0–100%
4	Rouge fin	000 ⇔ 255	0–100%
5	Vert	000 ⇔ 255	0–100%
6	Vert fin	000 ⇔ 255	0–100%
7	Bleu	000 ⇔ 255	0–100%
8	Bleu fin	000 ⇔ 255	0–100%
9	Ambre	000 ⇔ 255	0–100%
10	Ambre fin	000 ⇔ 255	0–100%
11	Lime	000 ⇔ 255	0–100%
12	Lime fin	000 ⇔ 255	0–100%
13	Stroboscope	000 ⇔ 010 011 ⇔ 255	Pas de fonction Stroboscope, lent à rapide
14	Roue de couleurs virtuelle	000 ⇔ 255	Consultez la section Gamme de couleurs
15	Température de couleur	000 ⇔ 255	Consultez la section Gamme des températures de couleur
16	Zoom	000 ⇔ 255	Étroit à large
17	Réinitialisation du moteur	000 ⇔ 200 201 ⇔ 220 221 ⇔ 255	Pas de fonction Réinitialisation du moteur Pas de fonction
18	Control (maintenez pendant 3 secondes, puis relâchez)	000 ⇔ 007 008 ⇔ 015 016 ⇔ 023 024 ⇔ 031 032 ⇔ 039 040 ⇔ 047 048 ⇔ 055 056 ⇔ 063 064 ⇔ 071 072 ⇔ 079 080 ⇔ 087 088 ⇔ 095 096 ⇔ 103 104 ⇔ 111 112 ⇔ 119 120 ⇔ 127 128 ⇔ 255	Pas de fonction Réinitialiser du gradateur Décalage rouge activé Décalage rouge désactivé Courbe de gradateur S-Curve Courbe de gradateur linéaire Courbe de gradateur carrée Courbe de gradateur carrée inverse Mode vitesse du gradateur désactivé Mode vitesse du gradateur 1 Mode vitesse du gradateur 2 Mode vitesse du gradateur 3 Mode ventilateur automatique Mode ventilateur activé Mode ventilateur désactivé Mode ventilateur silencieux Pas de fonction (réservé)

14Ch

Canal	Fonction	Valeur	Pourcentage/Configuration
1	Gradateur	000 ⇔ 255	0–100%
2	Rouge	000 ⇔ 255	0–100%
3	Vert	000 ⇔ 255	0–100%
4	Bleu	000 ⇔ 255	0–100%
5	Ambre	000 ⇔ 255	0–100%
6	Lime	000 ⇔ 255	0–100%
7	Stroboscope	000 ⇔ 010 011 ⇔ 255	Pas de fonction Stroboscope, lent à rapide
8	Roue de couleurs virtuelle	000 ⇔ 255	Consultez la section Gamme de couleurs
9	Température de couleur	000 ⇔ 255	Consultez la section Gamme des températures de couleur
10	Auto programmes	000 ⇔ 010 011 ⇔ 060 061 ⇔ 110 111 ⇔ 160 161 ⇔ 210 211 ⇔ 255	Pas de fonction Auto programmes 1 Auto programmes 2 Auto programmes 3 Auto programmes 4 Auto programmes 5
11	Vitesse auto	000 ⇔ 255	0–100%
12	Control (maintenez pendant 3 secondes, puis relâchez)	000 ⇔ 007 008 ⇔ 015 016 ⇔ 023 024 ⇔ 031 032 ⇔ 039 040 ⇔ 047 048 ⇔ 055 056 ⇔ 063 064 ⇔ 071 072 ⇔ 079 080 ⇔ 087 088 ⇔ 095 096 ⇔ 103 104 ⇔ 111 112 ⇔ 119 120 ⇔ 127 128 ⇔ 255	Pas de fonction Réinitialiser du gradateur Décalage rouge activé Décalage rouge désactivé Courbe de gradateur S-Curve Courbe de gradateur linéaire Courbe de gradateur carrée Courbe de gradateur carrée inverse Mode vitesse du gradateur désactivé Mode vitesse du gradateur 1 Mode vitesse du gradateur 2 Mode vitesse du gradateur 3 Mode ventilateur automatique Mode ventilateur activé Mode ventilateur désactivé Mode ventilateur silencieux Pas de fonction (réservé)
13	Zoom	000 ⇔ 255	Étroit à large
14	Réinitialisation du moteur	000 ⇔ 200 201 ⇔ 220 221 ⇔ 255	Pas de fonction Réinitialisation du moteur Pas de fonction

FR

13Ch

Canal	Fonction	Valeur	Pourcentage/Configuration
1	Gradateur	000 ⇔ 255	0–100%
2	Gradateur fin	000 ⇔ 255	0–100%
3	Rouge	000 ⇔ 255	0–100%
4	Rouge fin	000 ⇔ 255	0–100%
5	Vert	000 ⇔ 255	0–100%
6	Vert fin	000 ⇔ 255	0–100%
7	Bleu	000 ⇔ 255	0–100%
8	Bleu fin	000 ⇔ 255	0–100%
9	Ambre	000 ⇔ 255	0–100%
10	Ambre fin	000 ⇔ 255	0–100%
11	Lime	000 ⇔ 255	0–100%
12	Lime fin	000 ⇔ 255	0–100%
13	Stroboscope	000 ⇔ 010 011 ⇔ 255	Pas de fonction Stroboscope, lent à rapide

11Ch

Canal	Fonction	Valeur	Pourcentage/Configuration
1	Gradateur	000 ⇔ 255	0–100%
2	Gradateur fin	000 ⇔ 255	0–100%
3	Rouge	000 ⇔ 255	0–100%
4	Vert	000 ⇔ 255	0–100%
5	Bleu	000 ⇔ 255	0–100%
6	Ambre	000 ⇔ 255	0–100%
7	Lime	000 ⇔ 255	0–100%
8	Stroboscope	000 ⇔ 010 011 ⇔ 255	Pas de fonction Stroboscope, lent à rapide
9	Roue de couleurs virtuelle	000 ⇔ 255	Consultez la section Gamme de couleurs
10	Température de couleur	000 ⇔ 255	Consultez la section Gamme des températures de couleur
11	Zoom	000 ⇔ 255	Étroit à large

7Ch

Canal	Fonction	Valeur	Pourcentage/Configuration
1	Gradateur	000 ⇔ 255	0–100%
2	Rouge	000 ⇔ 255	0–100%
3	Vert	000 ⇔ 255	0–100%
4	Bleu	000 ⇔ 255	0–100%
5	Ambre	000 ⇔ 255	0–100%
6	Lime	000 ⇔ 255	0–100%
7	Stroboscope	000 ⇔ 010 011 ⇔ 255	Pas de fonction Stroboscope, lent à rapide

5Ch

Canal	Fonction	Valeur	Pourcentage/Configuration
1	Rouge	000 ⇔ 255	0–100%
2	Vert	000 ⇔ 255	0–100%
3	Bleu	000 ⇔ 255	0–100%
4	Ambre	000 ⇔ 255	0–100%
5	Lime	000 ⇔ 255	0–100%

3Ch

Canal	Fonction	Valeur	Pourcentage/Configuration
1	Gradateur	000 ⇔ 255	0–100%
2	Roue de couleurs virtuelle	000 ⇔ 255	Consultez la section Gamme de couleurs
3	Température de couleur	000 ⇔ 255	Consultez la section Gamme des températures de couleur

1Ch

Canal	Fonction	Valeur	Pourcentage/Configuration
1	Gradateur	000 ⇔ 255	0–100%

HSV

Canal	Fonction	Valeur	Pourcentage/Configuration
1	Teint	000 ⇔ 255	0–100%
2	Saturation	000 ⇔ 255	0–100%
3	Valeur	000 ⇔ 255	0–100%

Über diese Schnellanleitung

In der Schnellanleitung des Ovation F-415FC finden Sie die wesentlichen Produktinformationen, wie etwa über den Anschluss, die Montage, Menüoptionen und DMX-Werte des Geräts. Laden Sie für weiterführende Informationen unter www.chauvetprofessional.com das Benutzerhandbuch herunter.

Haftungsausschluss

Die in dieser Anleitung aufgeführten Informationen und Spezifikationen können ohne vorherige Ankündigung geändert werden.

EINGESCHRÄNKTE GARANTIE

ZUR REGISTRIERUNG FÜR GARANTIEANSPRÜCHE UND ZUR EINSICHT IN DIE VOLLSTÄNDIGEN GESCHÄFTSBEDINGUNGEN BESUCHEN SIE BITTE UNSERE WEBSITE.

Für Kunden in den USA und in Mexiko: www.chauvetlighting.com/warranty-registration.

Für Kunden im Vereinigten Königreich, in Irland, Belgien, den Niederlanden, Luxemburg, Frankreich und Deutschland: www.chauvetlighting.eu/warranty-registration/.

Chauvet garantiert für die in der auf unserer Website veröffentlichten vollständigen eingeschränkten Garantie genannten Dauer und unter Vorbehalt der darin genannten Haftungsausschlüsse und -beschränkungen, dass dieses Produkt bei normalen Gebrauch frei von Material- und Verarbeitungsfehlern ist. Diese Garantie erstreckt sich nur auf den Erstkäufer des Produkts und ist nicht übertragbar. Zur Ausübung der unter dieser Garantie gewährten Rechte ist der Kaufbeleg in Form der Originalrechnung von einem autorisierten Händler vorzulegen, in der die Produktbezeichnung und das Kaufdatum vermerkt sein müssen. **ES BESTEHEN KEINE WEITEREN AUSDRÜCKLICHEN ODER STILLSCHWEIGENDEN GARANTIEN.** Diese Garantie gibt Ihnen besondere gesetzliche Rechte. Und Sie haben möglicherweise weitere Rechte, die von Land zu Land unterschiedlich sein können. Diese Garantie ist nur in den USA, im Vereinigten Königreich, in Irland, Belgien, den Niederlanden, Luxemburg, Frankreich, Deutschland und Mexiko gültig. Bezüglich der Garantiebestimmungen in anderen Ländern wenden Sie sich bitte an Ihren lokalen Händler.

Sicherheitshinweise

- Dieses Gerät NICHT öffnen. Die eingebauten Komponenten sind für den Kunden wartungsfrei.
- NIEMALS in die Lichtquelle schauen, während das Gerät eingeschaltet ist.
- Dieses Gerät darf NICHT in Wasser eingetaucht werden (IP20). Eine regelmäßige Verwendung dieses Geräts im Freien ist möglich.
- Belassen Sie KEINE entflammaren Materialien in einem Umkreis von 50 cm dieses Geräts, während es in Betrieb oder an der Stromversorgung angeschlossen ist.
- NIEMALS das Gerät in Betrieb nehmen, wenn Ihnen das Gehäuse, die Linsen oder das Kabel beschädigt erscheinen.
- Schließen Sie dieses Gerät NICHT an einen Dimmer oder Regelwiderstand an.
- VORSICHT: Das Gehäuse dieses Produkts kann während des Betriebs heiß werden.
- VORSICHT: Beim Transport des Geräts von einer Umgebung mit außergewöhnlichen Temperaturen in eine andere solche Umgebung (z. B. aus einem kalten Transporter in einen warm-feuchten Ballsaal) kann an der im Gerät enthaltenen Elektronik Wasser kondensieren. Um einen Defekt zu vermeiden, muss sich das Gerät erst in der neuen Umgebung akklimatisiert haben, bevor es an die Stromversorgung angeschlossen werden kann.
- VERWENDEN Sie bei Montage über Kopf immer ein Sicherheitsseil.
- Schließen Sie dieses Produkt NUR an einen mit der Erde verbundenen und geschützten Stromkreis an.
- Das Gerät NUR an den Hänge-/Befestigungsbügeln oder Griffen tragen.
- Installieren Sie das Gerät an einem Ort mit ausreichender Belüftung und mit einem Abstand von mindestens 50 cm zu den angrenzenden Flächen.
- Um unnötigen Verschleiß zu vermeiden und die Lebensdauer des Geräts zu verlängern, trennen Sie während längerer Perioden des Nichtgebrauchs das Gerät vom Stromnetz – entweder per Trennschalter oder durch Herausziehen des Steckers aus der Steckdose.
- Bei ernsthaften Betriebsproblemen stoppen Sie umgehend die Verwendung des Geräts.
- Die maximal zulässige Umgebungstemperatur beträgt 45 °C. Nehmen Sie das Gerät nicht bei höheren Temperaturen in Betrieb.

FCC-Konformität

Dieses Gerät erfüllt Teil 15, Teil B, der FCC-Bestimmungen. Der Betrieb ist an folgende zwei Bedingungen geknüpft:

1. Dieses Gerät darf keine schädlichen Interferenzen verursachen, und
2. Dieses Gerät muss empfangende Interferenzen aufnehmen können, auch Interferenzen, die eventuell einen unerwünschten Betrieb verursachen.

Jegliche Änderungen oder Modifikationen, die nicht ausdrücklich von der Partei genehmigt wurden, die für die Compliance zuständig ist, könnten die Berechtigung des Benutzers zum Betrieb dieses Geräts aufheben.

Kontakt

Kunden außerhalb der USA, GB, Irland, Mexiko, Frankreichs, Deutschlands oder der Benelux-Staaten wenden sich an ihren Lieferanten, um den Kundensupport in Anspruch zu nehmen oder ein Produkt zurückzuschicken. Kontaktinformationen finden Sie unter [Contact Us](#) am Ende dieser Schnellanleitung.

Packungsinhalt

- Ovation F-415FC
- Gel-Rahmen (Zubehör für 6,25 Zoll/159 mm)
- Netzkabel Neutrik® powerCON®
- Schnellanleitung

Wechselstrom

Dieses Gerät verfügt über ein Vorschaltgerät, das automatisch die anliegende Spannung erkennt, sobald der Netzstecker in die Schukosteckdose gesteckt wird, und kann mit einer Eingangsspannung von 100~240 V AC, 50/60 Hz arbeiten.

Serienschaltung der Geräte

Sie können bis zu 13 Ovation F-415FC Geräte bei 120 V AC, 22 Geräte bei 208 V und 24 Geräte bei 230 V AC in Serie schalten. Diese Anzahl niemals überschreiten! Stromkabel für die Serienschaltung können separat erworben werden.

Wechselstromstecker

Anschluss	Draht (USA)	Draht (Europa)	Schraubenfarbe
Stromführender AC-Leiter	Schwarz	Braun	Gelb/Messingfarben
AC-Neutralleiter	Weiß	Blau	Silber
AC-Erdungsleiter	Grün/Gelb	Grün/Gelb	Grün



Um Verschleiß zu vermeiden und die Lebensdauer des Geräts zu verlängern, trennen Sie während längerer Perioden des Nichtgebrauchs das Gerät vom Stromnetz – entweder per Trennschalter oder durch Herausziehen des Steckers aus der Steckdose.

Auswechseln der Sicherung

1. Trennen Sie das Gerät vom Stromnetz.
2. Mit einem Flachkopfschraubendreher lösen Sie die Abdeckung des Sicherungshalters vom Gehäuse.
3. Entfernen Sie die durchgebrannte Sicherung, und ersetzen Sie diese durch eine Sicherung des gleichen Typs und mit den gleichen Werten.
4. Schrauben Sie die Abdeckung der Sicherung wieder ein, und schließen Sie das Gerät wieder an das Stromnetz an.

DMX-Verbindung

Die Ovation F-415FC kann mit einem DMX-Controller betrieben werden, wenn eine 3- und 5-polige DMX-Datenverbindung zum Einsatz kommt. Sie können sich eine Einführung in DMX unter www.chauvetprofessional.com herunterladen.

DMX-Anschluss

Der Ovation F-415FC nutzt zur Steuerung seiner DMX-Eigenschaften eine 3- und 5-polige DMX-Datenverbindung: **1Ch, 3Ch, 5Ch, 7Ch, 11Ch, 13Ch, 14Ch, 18Ch** und **HSV**. Informationen zum Anschließen und Konfigurieren des Geräts für einen DMX-Betrieb finden Sie in der Bedienungsanleitung.

Master/Slave-Schaltung

Der Ovation F-415FC verwendet für seinen Master/Slave-Modus eine DMX-Datenverbindung. Informationen zum Anschließen und Konfigurieren des Geräts für einen Master/Slave-Betrieb finden Sie in der Bedienungsanleitung.

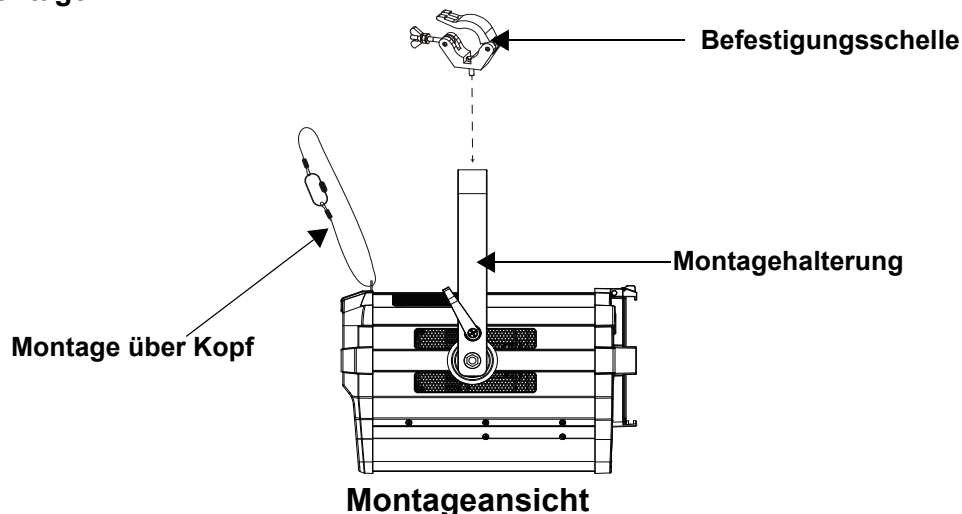
RDM (Remote Device Management)

Remote Device Management bzw. RDM ist ein Standard, mit dem DMX-aktivierte Geräte bidirektional entlang bestehender DMX-Kabel kommunizieren können. Der Ovation F-415FC unterstützt das RDM-Protokoll, über das Feedback zur Überwachung der Änderungen der Menüoptionen gegeben wird. Laden Sie für weiterführende Informationen unter www.chauvetprofessional.com das Benutzerhandbuch herunter.

Montage

Lesen Sie vor der Montage dieses Geräts die [Sicherheitshinweise](#). Mindestens einen Befestigungspunkt pro Gerät verwenden. Stellen Sie sicher, dass die Befestigungsklemmen dafür ausgelegt sind, das Produktgewicht tragen zu können. Informationen zu unserer CHAUVET-Produktlinie für Befestigungsklemmen finden Sie unter <http://trusst.com/productcategory/truss-clamps/>.

Ansicht Gerätemontage



Virtuelles Farbrad (VCW)

Der Ovation F-415FC verfügt über eine Funktion mit der Bezeichnung Virtuelles Farbrad (Virtual Color Wheel, VCW). Diese Funktion steht als Stand-alone-Steuerungsmodus für die manuelle Bedienung sowie als Steuerungskanal bei ausgewählten DMX-Eigenschaften zur Verfügung. Es sind mehr als 30 von unseren Technikern vorgemischte Farben verfügbar, um die Programmierung einfacher zu gestalten. Die zum Mischen dieser Farben verwendeten DMX-Werte sind nachstehend angegeben. Sie können die Gesamtintensität des Ovation anpassen, um die Farben, mit denen Sie vertraut sind, besser nachzubilden. Auf unserer Website www.chauvetprofessional.com finden Sie eine Tabelle, mit deren Hilfe Sie unsere vorgemischten Farben mit beliebigen Gel-Farben vergleichen können. Diese Tabelle dient einzig Vergleichszwecken und ist keine Gewähr dafür, dass unsere vorgemischten Farben mit einer der aufgeführten Gel-Farben übereinstimmen.

Tabelle: Virtuelles Farbrad

DMX-Kanal-Wert	Anzeige auf Display	Roter Wert	Grüner Wert	Blauer Wert	Bernsteinfarbener Wert	Neongrüner Wert
000 ⇔ 005	--	000	000	000	000	000
006 ⇔ 013	C3050 - Md Yellow	233	163	020	123	255
014 ⇔ 021	C3040 - Lt Yellow	224	158	047	255	231
022 ⇔ 028	C3240 - Amb Yellow	180	060	000	245	255
029 ⇔ 035	C2340 - VLt Amber	245	107	081	255	213
036 ⇔ 043	C2040 - Lt Amber	230	130	062	255	155
044 ⇔ 051	C2050 - Md Amber	255	000	025	255	194
052 ⇔ 059	C2060 - Dk Amber	255	000	024	255	150
060 ⇔ 067	C1050 - Lt Red	255	037	027	030	038
068 ⇔ 075	C1080 - Md Red	255	004	017	000	000
076 ⇔ 083	C1020 - NC Pink	238	135	129	255	255
084 ⇔ 091	C1030 - Md Pink	255	131	120	255	195
092 ⇔ 099	C1630 - Dk Pink	255	165	123	255	210
100 ⇔ 107	C1250 - Md Red Amber	255	000	041	195	055
108 ⇔ 115	C1060 - Dk Red Amber	255	000	045	120	030
116 ⇔ 121	C1650 - Magenta	255	050	115	255	115
122 ⇔ 130	C6170 - Dk Magenta	255	035	117	000	000
131 ⇔ 138	C6020 - Lt Lavender	127	122	142	251	255
139 ⇔ 146	C5030 - Lt Blue	000	255	197	100	255
147 ⇔ 154	C5020 - VLt Blue	158	255	189	000	255
155 ⇔ 162	C5430 - Lt Blue 2	000	255	180	000	243
163 ⇔ 170	C5070 - Blue	043	255	210	043	036
171 ⇔ 178	C5050 - Md Blue	000	255	218	000	181
179 ⇔ 186	C5060 - Dk Blue	000	210	206	000	118
187 ⇔ 194	C5690 - Indigo	065	000	210	040	055
195 ⇔ 202	C5080 - VDk Blue	000	203	230	000	040
203 ⇔ 210	C5081 - VDK Blue2	040	199	240	000	045
211 ⇔ 218	C4370 - Yel Green	027	255	028	016	104
219 ⇔ 226	C4070 - Green	049	255	055	120	090
227 ⇔ 234	C4550 - Turquoise	060	230	109	000	245
235 ⇔ 242	C4560 - Aqua	020	240	126	036	255
243 ⇔ 250	C4570 - Blue Green	000	255	079	030	053
251 ⇔ 255	--	000	000	000	000	000



Hinweis: Die oben genannten Farben sind simulierte Ähnlichkeiten der Farbausgabe im Vergleich zu anderen, ähnlich weißglühenden Produkten. Chauvet gibt keine Gewährleistung bezüglich der Genauigkeit der Farbausgabe.

Farbtemperatur-Tabelle

DMX-Kanal-Wert	Anzeige auf Display	Roter Wert	Grüner Wert	Blauer Wert	Bernsteinfarbener Wert	Neongrüner Wert
000 ⇔ 005	--	000	000	000	000	000
006 ⇔ 025	2800K	198	065	056	220	230
026 ⇔ 050	3000K	181	078	074	220	230
051 ⇔ 075	3200K	165	092	093	220	230
076 ⇔ 100	3500K	153	128	111	220	230
101 ⇔ 125	4000K	127	128	163	220	230
126 ⇔ 150	4500K	106	128	200	220	230
151 ⇔ 175	5000K	092	128	230	220	230
176 ⇔ 200	5600K	073	128	255	220	230
201 ⇔ 225	6000K	048	128	255	220	230
226 ⇔ 250	6500K	019	128	255	220	230
251 ⇔ 255	--	000	000	000	000	000



Hinweis: Die oben genannten Farbtemperaturen sind simulierte Ähnlichkeiten der Farbausgabe im Vergleich zu einer Wolframlampe mit spezifizierter Farbtemperatur. Chauvet gibt keine Gewährleistung bezüglich der Genauigkeit der Farbausgabe.

Descripción del Panel de Control

Taste	Funktion
<MENU>	Damit verlassen Sie das aktuelle Menü oder die Funktion.
<ENTER>	Damit wird das aktuell angezeigte Menü aktiviert oder der aktuell ausgewählte Wert einer Funktion eingestellt
<UP>	Damit navigieren Sie sich durch die Menüpunkte nach oben und erhöhen den numerischen Wert der entsprechenden Funktion.
<DOWN>	Damit navigieren Sie sich durch die Menüpunkte nach unten und verringern den numerischen Wert der entsprechenden Funktion.
<Color Temperature>	Drücken und drehen Sie dieses Bedienelement zur Auswahl der Farbtemperatur
<Dimmer>	Drücken und drehen Sie dieses Bedienelement zum Erhöhen oder Senken der Dimmung
<Zoom>	Drücken und drehen Sie dieses Bedienelement zum Vergrößern oder Verkleinern des Zoom

Menüstruktur

Hauptebene	Programmirebenen	Beschreibung
DMX Address	001–512*	Wählt die DMX-Adresse aus (*der höchste Kanal ist auf die gewählte Eigenschaft beschränkt)
	1Ch	1 Kanal: Dimmer
DMX Channel	3Ch	3 Kanal: Dimmer, Virtuelles Farbrad, Farbtemperatur
	5Ch	5 Kanal: RGBAL
	7Ch	7 Kanal: Dimmer, RGBAL, Stroboskopeffekt
	11Ch	11 Kanal: 16-bit Dimmer, RGBAL, Stroboskopeffekt, Virtuelles Farbrad, Farbtemperatur, Zoom
	13Ch	13 Kanal: 16-bit RGBAL und Dimmer, Stroboskopeffekt
	14Ch	14 Kanal: Dimmer, RGBAL, Stroboskopeffekt, Virtuelles Farbrad, Farbtemperatur, Auto-programm, Auto-Geschwindigkeit, Steuerung, Zoom, Motor zurücksetzen, Rotverschiebung
	18Ch	18 Kanal: 16-bit RGBAL und Dimmer, Stroboskopeffekt, Virtuelles Farbrad, Farbtemperatur, Zoom, Motor zurücksetzen, Rotverschiebung, Steuerung
HSV	3 Kanal: Farbton, Farbsättigung, Farbwert	

Hauptebene	Programmirebenen		Beschreibung	
Virtual Color Wheel	Virtual Color Wheel	C3050 - Md Yellow C3040 - Lt Yellow C3240 - Amb Yellow C2340 - VLt Amber C2040 - Lt Amber C2050 - Md Amber C2060 - Dk Amber C1050 - Lt Red C1080 - Md Red C1020 - NC Pink C1030 - Md Pink C1630 - Dk Pink C1250 - Md Red Amber C1060 - Dk Red Amber C1650 - Magenta C6170 - Dk Magenta C6020 - Lt Lavender C5030 - Lt Blue C5020 - VLt Blue C5430 - Lt Blue 2 C5070 - Blue C5050 - Md Blue C5060 - Dk Blue C5690 - Indigo C5080 - VDk Blue C5081 - VDk Blue 2 C4370 - Yel Green C4070 - Green C4550 - Turquoise C4560 - Aqua C4570 - Blue Green	Dimmer 0–255	Das Virtuelle Farbrad simuliert die Ausgabe jeder Gel-Farbe. Für spezifische Werte, siehe den Abschnitt Tabelle: Virtuelles Farbrad .
	Color Temperature	2800K 3000K 3200K 3500K 4000K 4500K 5000K 5600K 6000K 6500K	Dimmer 0–255	Voreinstellung der weißen Farbtemperaturen. Bildet eine Wolframlampe mit der spezifizierten Farbtemperatur ab. Für spezifische Werte, siehe den Abschnitt Farbtemperatur-Tabelle .
	Manual Color Mixer	Red Green Blue Amber Lime	0–255	Kombiniert rote, grün, blaue, bernsteinfarbene un neongrüne Farben zu einer benutzerdefinierten Farbe (0–100%)
Auto Show	Auto 1–5	1–100	Wähl das Auto-Programm und die Programm-Geschwindigkeit aus	
Zoom	0–255		Zur Steuerung des Zoom	
Red Shift	On Off		Ahmt die Dimmung einer Halogenlampe nach	
Master/ Slave	Master Slave		Empfängt DMX-Signal vom DMX-Controller (Master) Empfängt das DMX-Signal vom Master-Gerät	

Hauptebene	Programmirebenen		Beschreibung
Dimmer Curve	S-Curve		Stellt die Dimmungskurve ein
	Linear		
Dimmer Mode	Square		Linearer Dimmer
	Inverse Square		
White Balance	Off		Verwendet die werksseitig voreingestellte Standardeinstellung "Weiß"
	Manual	Dimmer 1–3	
125–255		Red	Stellt den maximalen Wert der Roten LED ein
		Green	Stellt den maximalen Wert der Grün LED ein
		Blue	Stellt den maximalen Wert der Blau LED ein
		Amber	Stellt den maximalen Wert der Bernsteinfarben LED ein
	Lime	Stellt den maximalen Wert der Neongrün LED ein	
LED Frequency	600Hz 1200Hz 2000Hz 4000Hz 6000Hz 25KHz		Stellt die PWM-Frequenz ein
Fan Mode	Auto		Stellt den Lüfter auf den Auto-Modus ein
	On		Stellt den Lüfter auf den "immer eingeschaltet"-Modus ein
	Off		Setzt den Lüfter auf immer aus
	Silent		Stellt den Lüfter auf lautlos
Back Light	10S		Damit wird die Hintergrundbeleuchtung der Anzeige nach 10 Sekunden Inaktivität ausgeschaltet
	30S		Damit wird die Hintergrundbeleuchtung der Anzeige nach 30 Sekunden Inaktivität ausgeschaltet
	2Min		Damit wird die Hintergrundbeleuchtung der Anzeige nach 2 Minuten Inaktivität ausgeschaltet
	Always On		Hintergrundbeleuchtung immer an
Information	Fixture Hours	___H	Zeigt an, wie lange das Gerät eingeschaltet gewesen ist
	LED Hours	<___H>	Zeigt die gesamten LED-Stunden an
	Version	V_..	Zeigt die aktuelle Firmware-Version an
	UID	-----	Zeigt die Geräte-UID an
Reset Zoom w/ Power	No		Hält den Zoom in der letzten Position, wenn das Gerät eingeschaltet wird
	Yes		Setzt den Zoom auf die Startposition zurück, wenn das Gerät eingeschaltet wird
Factory Reset	No		Damit stellen Sie das Gerät auf die
	Yes		Werkseinstellungen zurück



WARNUNG: Wenn Sie im Lüftermodus arbeiten: Aus, wird das Gerät bei Berührung heißer als bei Verwendung anderer Lüftermodi. Verwenden Sie geeignete Schutzausrüstung, um Verbrennungen zu vermeiden. Halten Sie einen Sicherheitsabstand zu brennbaren Gegenständen ein.



HINWEIS: Im Lüftermodus: Aus wird der Ausgang des Geräts reduziert und erreicht nicht die gleichen Pegel wie bei Verwendung anderer Lüftermodi.

DE

DMX-Werte

18Ch

Kanal	Funktion	Wert	Prozent/Einstellung
1	Dimmer	000 ⇔ 255	0–100%
2	Feine Dimmer	000 ⇔ 255	0–100%
3	Rot	000 ⇔ 255	0–100%
4	Feine rot	000 ⇔ 255	0–100%
5	Grün	000 ⇔ 255	0–100%
6	Feine grün	000 ⇔ 255	0–100%
7	Blau	000 ⇔ 255	0–100%
8	Fein blau	000 ⇔ 255	0–100%
9	Bernsteinfarben	000 ⇔ 255	0–100%
10	Feine bernsteinfarben	000 ⇔ 255	0–100%
11	Neongrün	000 ⇔ 255	0–100%
12	Feine neongrün	000 ⇔ 255	0–100%
13	Stroboskop	000 ⇔ 010 011 ⇔ 255	Keine Funktion Stroboskopeffekt, langsam bis schnell
14	Virtuelles Farbrad	000 ⇔ 255	Siehe Tabelle: Virtuelles Farbrad
15	Farbtemperatur	000 ⇔ 255	Siehe Farbtemperatur-Tabelle
16	Zoom	000 ⇔ 255	Eng bis weit
17	Motor zurücksetzen	000 ⇔ 200 201 ⇔ 220 221 ⇔ 255	Keine Funktion Motorzurücksetzung Keine Funktion
18	Steuerung (3 Sekunden gedrückt halten)	000 ⇔ 007 008 ⇔ 015 016 ⇔ 023 024 ⇔ 031 032 ⇔ 039 040 ⇔ 047 048 ⇔ 055 056 ⇔ 063 064 ⇔ 071 072 ⇔ 079 080 ⇔ 087 088 ⇔ 095 096 ⇔ 103 104 ⇔ 111 112 ⇔ 119 120 ⇔ 127 128 ⇔ 255	Keine Funktion Dimmer reset Rotverschiebung an Rotverschiebung aus S-Kurve Dimmerkurve Lineare Dimmerkurve Quadratische Dimmerkurve Inverse quadratische Dimmerkurve Dimmer-Geschwindigkeitsmodus aus Dimmer-Geschwindigkeitsmodus 1 Dimmer-Geschwindigkeitsmodus 2 Dimmer-Geschwindigkeitsmodus 3 Fan-Auto Lüfter an Lüfter aus Lüfter leise Keine Funktion (reserviert)

14Ch

Kanal	Funktion	Wert	Prozent/Einstellung
1	Dimmer	000 ⇔ 255	0–100%
2	Rot	000 ⇔ 255	0–100%
3	Grün	000 ⇔ 255	0–100%
4	Blau	000 ⇔ 255	0–100%
5	Bernsteinfarben	000 ⇔ 255	0–100%
6	Neongrün	000 ⇔ 255	0–100%
7	Stroboskop	000 ⇔ 010 011 ⇔ 255	Keine Funktion Stroboskopeffekt, langsam bis schnell
8	Virtuelles Farbrad	000 ⇔ 255	Siehe Tabelle: Virtuelles Farbrad
9	Farbtemperatur	000 ⇔ 255	Siehe Farbtemperatur-Tabelle
10	Auto-Programme	000 ⇔ 010	Keine Funktion
		011 ⇔ 060	Autoprogramm 1
		061 ⇔ 110	Autoprogramm 2
		111 ⇔ 160	Autoprogramm 3
		161 ⇔ 210	Autoprogramm 4
211 ⇔ 255	Autoprogramm 5		
11	Auto-Geschwindigkeit	000 ⇔ 255	0–100%
12	Steuerung (3 Sekunden gedrückt halten)	000 ⇔ 007	Keine Funktion
		008 ⇔ 015	Dimmer reset
		016 ⇔ 023	Rotverschiebung an
		024 ⇔ 031	Rotverschiebung aus
		032 ⇔ 039	S-Kurve Dimmerkurve
		040 ⇔ 047	Lineare Dimmerkurve
		048 ⇔ 055	Quadratische Dimmerkurve
		056 ⇔ 063	Inverse quadratische Dimmerkurve
		064 ⇔ 071	Dimmer-Geschwindigkeitsmodus aus
		072 ⇔ 079	Dimmer-Geschwindigkeitsmodus 1
		080 ⇔ 087	Dimmer-Geschwindigkeitsmodus 2
		088 ⇔ 095	Dimmer-Geschwindigkeitsmodus 3
		096 ⇔ 103	Fan-Auto
		104 ⇔ 111	Lüfter an
112 ⇔ 119	Lüfter aus		
120 ⇔ 127	Lüfter leise		
128 ⇔ 255	Keine Funktion (reserviert)		
13	Zoom	000 ⇔ 255	Eng bis weit
14	Motor zurücksetzen	000 ⇔ 200	Keine Funktion
		201 ⇔ 220	Motorzurücksetzung
		221 ⇔ 255	Keine Funktion

DE

13Ch

Kanal	Funktion	Wert	Prozent/Einstellung
1	Dimmer	000 ⇔ 255	0–100%
2	Feine Dimmer	000 ⇔ 255	0–100%
3	Rot	000 ⇔ 255	0–100%
4	Feine rot	000 ⇔ 255	0–100%
5	Grün	000 ⇔ 255	0–100%
6	Feine grün	000 ⇔ 255	0–100%
7	Blau	000 ⇔ 255	0–100%
8	Fein blau	000 ⇔ 255	0–100%
9	Bernsteinfarben	000 ⇔ 255	0–100%
10	Feine bernsteinfarben	000 ⇔ 255	0–100%
11	Neongrün	000 ⇔ 255	0–100%
12	Feine neongrün	000 ⇔ 255	0–100%
13	Stroboskop	000 ⇔ 010 011 ⇔ 255	Keine Funktion Stroboskopeffekt, langsam bis schnell

11Ch

Kanal	Funktion	Wert	Prozent/Einstellung
1	Dimmer	000 ⇔ 255	0–100%
2	Feine Dimmer	000 ⇔ 255	0–100%
3	Rot	000 ⇔ 255	0–100%
4	Grün	000 ⇔ 255	0–100%
5	Blau	000 ⇔ 255	0–100%
6	Bernsteinfarben	000 ⇔ 255	0–100%
7	Neongrün	000 ⇔ 255	0–100%
8	Stroboskop	000 ⇔ 010 011 ⇔ 255	Keine Funktion Stroboskopeffekt, langsam bis schnell
9	Virtuelles Farbrad	000 ⇔ 255	Siehe Tabelle: Virtuelles Farbrad
10	Farbtemperatur	000 ⇔ 255	Siehe Farbtemperatur-Tabelle
11	Zoom	000 ⇔ 255	Eng bis weit

7Ch

Kanal	Funktion	Wert	Prozent/Einstellung
1	Dimmer	000 ⇔ 255	0–100%
2	Rot	000 ⇔ 255	0–100%
3	Grün	000 ⇔ 255	0–100%
4	Blau	000 ⇔ 255	0–100%
5	Bernsteinfarben	000 ⇔ 255	0–100%
6	Neongrün	000 ⇔ 255	0–100%
7	Stroboskop	000 ⇔ 010 011 ⇔ 255	Keine Funktion Stroboskopeffekt, langsam bis schnell

5Ch

Kanal	Funktion	Wert	Prozent/Einstellung
1	Rot	000 ⇔ 255	0–100%
2	Grün	000 ⇔ 255	0–100%
3	Blau	000 ⇔ 255	0–100%
4	Bernsteinfarben	000 ⇔ 255	0–100%
5	Neongrün	000 ⇔ 255	0–100%

3Ch

Kanal	Funktion	Wert	Prozent/Einstellung
1	Dimmer	000 ⇔ 255	0–100%
2	Virtuelles Farbrad	000 ⇔ 255	Siehe Tabelle: Virtuelles Farbrad
3	Farbtemperatur	000 ⇔ 255	Siehe Farbtemperatur-Tabelle

1Ch

Kanal	Funktion	Wert	Prozent/Einstellung
1	Dimmer	000 ⇔ 255	0–100%

HSV

Kanal	Funktion	Wert	Prozent/Einstellung
1	Farbton	000 ⇔ 255	0–100%
2	Farbsättigung	000 ⇔ 255	0–100%
3	Farbwert	000 ⇔ 255	0–100%

Over deze handleiding

De Ovation F-415FC Beknopte Handleiding (BH) bevat basisinformatie over het product, zoals aansluiting, montage, menu-opties en DMX-waarden. Download de gebruikershandleiding op www.chauvetprofessional.com voor meer informatie.

Disclaimer

De informatie en specificaties in deze BH kunnen zonder voorafgaande kennisgeving worden gewijzigd.

BEPERKTE GARANTIE

GA NAAR ONZE WEBSITE VOOR REGISTRATIE VAN DE GARANTIE EN DE VOLLEDIGE ALGEMENE VOORWAARDEN.

Voor klanten in de Verenigde Staten en Mexico: www.chauvetlighting.com/warranty-registration.

Voor klanten in het Verenigd Koninkrijk, Ierland, België, Nederland, Luxemburg, Frankrijk en Duitsland: www.chauvetlighting.eu/warranty-registration/.

Chauvet garandeert dat dit product bij normaal gebruik vrij zal blijven van defecten in materiaal en vakmanschap, voor de opgegeven periode en onder voorbehoud van de uitzonderingen en beperkingen die zijn uiteengezet in de volledige beperkte garantie op onze website. Deze garantie geldt uitsluitend voor de oorspronkelijke koper van het product en is niet overdraagbaar. Om onder deze garantie rechten uit te oefenen, moet u een aankoopbewijs overleggen in de vorm van een origineel verkoopbewijs van een geautoriseerde dealer, waarop de naam van het product en de aankoopdatum zichtbaar zijn. ER ZIJN GEEN ANDERE EXPLICIETE OF IMPLICIETE GARANTIES. Deze garantie geeft u specifieke wettelijke rechten. Mogelijk heeft u ook andere rechten die van staat tot staat en van land tot land verschillen. Deze garantie is uitsluitend geldig in de Verenigde Staten, het Verenigd Koninkrijk, Ierland, België, Nederland, Luxemburg, Frankrijk, Duitsland en Mexico. Neem contact op met uw lokale verkoper voor garantievoorwaarden in andere landen.

Veiligheidsinstructies

- Open het product NIET. Het bevat geen te onderhouden onderdelen.
- KLIJK NIET in de lichtbron wanneer het apparaat is ingeschakeld.
- Gebruik dit product NIET buitenshuis of op een locatie waar stof, grote warmte, water of vochtigheid het kunnen beïnvloeden (IP20).
- Plaats geen ontvlambaar materiaal binnen 50 cm van dit product als het in gebruik is of is aangesloten op het stopcontact.
- Gebruik dit product NIET als de behuizing, lenzen of kabels beschadigd lijken.
- Sluit dit product NIET aan op een dimmer of een regelweerstand.
- LET OP: De behuizing van dit product kan heet zijn wanneer het in bedrijf is.
- LET OP: Bij het verplaatsen van het product uit extreme omgevingen, (bijv. koude vrachtwagen naar warme, vochtige balzaal) kan er condensvorming optreden op de elektronica van het product. Om storingen te vermijden moet het product volledig kunnen acclimatiseren aan de omgeving voordat het op stroom wordt aangesloten.
- GEBRUIK een veiligheidskabel bij het boven het hoofd plaatsen van dit product.
- Sluit dit product UITSLUITEND op een geaard en beveiligd stroomcircuit.
- Gebruik UITSLUITEND de ophang-/montagebeugel om dit product te dragen.
- Monteer dit product op een plek met voldoende ventilatie, ten minste 50 cm van de aangrenzende oppervlakken.
- Om onnodige slijtage te elimineren en zijn levensduur te verlengen, gedurende perioden wanneer het product niet wordt gebruikt, moet u het product van de stroom afsluiten door een aardlekschakelaar om te zetten of door het te ontkoppelen.
- Stop in het geval van ernstige operationele problemen onmiddellijk met het gebruik.
- De maximale omgevingstemperatuur bedraagt 45 °C. Gebruik dit product niet bij hogere temperaturen.

FCC-naleving

Dit apparaat voldoet aan Part 15 Part B van de FCC-regels. Het gebruik is onderworpen aan de volgende twee voorwaarden:

1. Dit apparaat mag geen schadelijke interferentie veroorzaken, en
2. Dit apparaat moet enige ontvangen interferentie accepteren, inclusief interferentie die een ongewenste werking kan veroorzaken.

Eventuele wijzigingen of aanpassingen die niet uitdrukkelijk door de voor naleving verantwoordelijke partij zijn goedgekeurd, kan de bevoegdheid van de gebruiker om de apparatuur te bedienen ongeldig verklaren.

Contact

Van buiten de VS, Verenigd Koninkrijk, Ierland, Benelux, Frankrijk, Duitsland of Mexico kunt u contact opnemen met de distributeur of om ondersteuning vragen dan wel het product retourneren. Ga naar [Contact Us](#) voor contactinformatie.

Wat is inbegrepen

- Ovation F-415FC
- Neutrik® powerCON® stroomsnoer
- Gelframe (159 mm/6,25 in accessoires)
- Beknopte handleiding

AC-stroom

Dit product heeft een voeding met automatisch bereik die werkt met een ingangsspanning van 100–240 VAC, 50/60 Hz.

Power Linking

U kunt tot 13 Ovation F-415FC-producten koppelen bij 120 V, 22 producten bij 230 V, 24 producten bij 230 V. Dit aantal niet overschrijden. Power Linking-snoeren kunnen apart aangeschaft worden.

AC-stekker

Aansluiting	Snoer (VS)	Snoer (Europa)	Schroefkleur
AC Live	Zwart	Bruin	Geel/messing
AC Neutraal	Wit	Blauw	Zilver
AC Aarde	Groen/geel	Groen/geel	Groen



Om onnodige slijtage te elimineren en zijn levensduur te verlengen, gedurende perioden wanneer het product niet wordt gebruikt, moet u het product van de stroom afsluiten door een aardlekschakelaar om te zetten of door het te ontkoppelen.

De zekering vervangen

1. Ontkoppel dit product van de stroom.
2. Gebruik een kruiskopschroevendraaier nr. 2 en schroef de kap van de zekeringshouder los van de behuizing.
3. Verwijder de doorgebrande zekering en vervang het met een werkende zekering van hetzelfde type en met dezelfde waarde.
4. Schroef de kap van de zekeringhouder terug en steek de stekker er weer in.

DMX-koppeling

De Ovation F-415FC kan met een DMX-controller werken met een 3- en 5-pins DMX seriële verbinding. Op www.chauvetprofessional.com is een DMX basishandleiding verkrijgbaar.

DMX-aansluiting

De Ovation F-415FC gebruikt een 3- en 5-pins DMX-gegevensverbinding voor zijn DMX-persoonlijkheden: **1Ch, 3Ch, 5Ch, 7Ch, 11Ch, 13Ch, 14Ch, 18Ch** en **HSV**. Zie de gebruikershandleiding om te verbinden en te configureren voor DMX-werking.

Master/slave-verbinding

De Ovation F-415FC maakt gebruik van de DMX-dataverbinding voor haar Master-/Slave-modus. Zie de gebruikershandleiding om te verbinden en te configureren voor Master/Slave-werking.

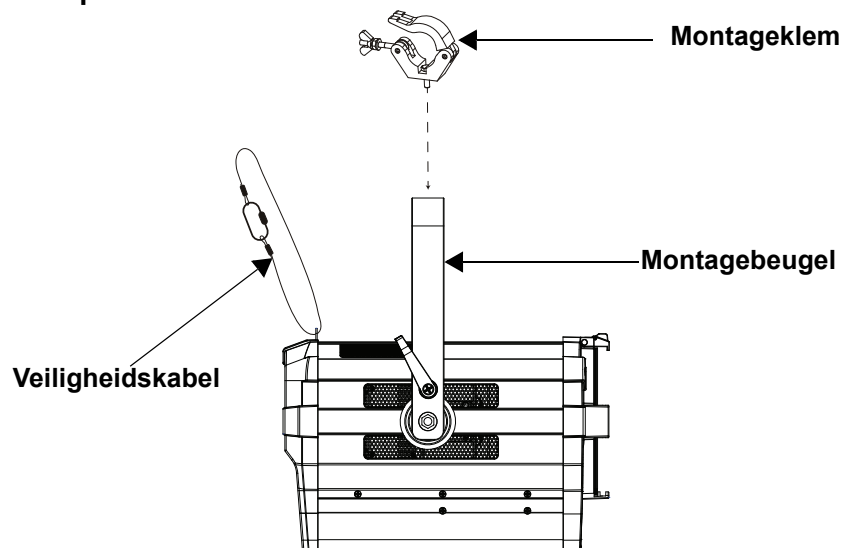
RDM (apparaatbeheer op afstand)

Remote Device Management of RDM (apparaatbeheer op afstand) is een standaard die het voor DMX-apparaten mogelijk maakt om in twee richtingen te communiceren over bestaande DMX-kabels. De Ovation F-415FC ondersteunt het RDM-protocol dat zorgt feedback toelaat bij de bewaking van wijzigingen aan de menu map-opties van. Download de gebruikershandleiding op www.chauvetprofessional.com voor meer informatie.

Montage

Lees alvorens dit product te monteren alle [Veiligheidsinstructies](#). Controleer of de montageklem het gewicht van het product kan dragen. Ga voor onze Chauvet-serie montageklemmen naar <http://trusst.com/productcategory/truss-clamps/>.

Montagediagram van het product



Montage boven het hoofd

Virtueel kleurenwiel

De Ovation F-415FC ibevat een functie, genaamd het virtuele kleurenwiel (Virtual Color Wheel, VCW). Deze functie is beschikbaar als een losstaande bedieningsmodus voor handmatig gebruik en ook als een bedieningskanaal in de geselecteerde DMX-persoonlijkheden van de producten. Voor eenvoudiger programmering zijn er meer dan 30 voorgemengde kleuren beschikbaar die speciaal door onze technici zijn samengesteld.

De DMX-waarden die worden gebruikt voor het mengen van deze kleuren staan hieronder vermeld. U kunt de algehele intensiteit van het Ovation-armatuur aanpassen om de kleuren waarmee u bekend bent beter na te bootsen. Op onze website www.chauvetprofessional.com is een tabel beschikbaar om onze voorgemengde kleuren te vergelijken met populaire gelkleuren. Deze grafiek is uitsluitend bedoeld voor vergelijkingsdoeleinden en vormt geen garantie dat onze voorgemengde kleuren overeenkomen met de vermelde gelkleuren.

Kleurenkaart

DMX-kanaalwaarde	Weergave op het display	Rode waarde	Groene waarde	Blaauwe waarde	Gele waarde	Lime waarde
000 ⇔ 005	--	000	000	000	000	000
006 ⇔ 013	C3050 - Md Yellow	233	163	020	123	255
014 ⇔ 021	C3040 - Lt Yellow	224	158	047	255	231
022 ⇔ 028	C3240 - Amb Yellow	180	060	000	245	255
029 ⇔ 035	C2340 - V Lt Amber	245	107	081	255	213
036 ⇔ 043	C2040 - Lt Amber	230	130	062	255	155
044 ⇔ 051	C2050 - Md Amber	255	000	025	255	194
052 ⇔ 059	C2060 - Dk Amber	255	000	024	255	150
060 ⇔ 067	C1050 - Lt Red	255	037	027	030	038
068 ⇔ 075	C1080 - Md Red	255	004	017	000	000
076 ⇔ 083	C1020 - NC Pink	238	135	129	255	255
084 ⇔ 091	C1030 - Md Pink	255	131	120	255	195
092 ⇔ 099	C1630 - Dk Pink	255	165	123	255	210
100 ⇔ 107	C1250 - Md Red Amber	255	000	041	195	055
108 ⇔ 115	C1060 - Dk Red Amber	255	000	045	120	030
116 ⇔ 121	C1650 - Magenta	255	050	115	255	115
122 ⇔ 130	C6170 - Dk Magenta	255	035	117	000	000
131 ⇔ 138	C6020 - Lt Lavender	127	122	142	251	255
139 ⇔ 146	C5030 - Lt Blue	000	255	197	100	255
147 ⇔ 154	C5020 - V Lt Blue	158	255	189	000	255
155 ⇔ 162	C5430 - Lt Blue 2	000	255	180	000	243
163 ⇔ 170	C5070 - Blue	043	255	210	043	036
171 ⇔ 178	C5050 - Md Blue	000	255	218	000	181
179 ⇔ 186	C5060 - Dk Blue	000	210	206	000	118
187 ⇔ 194	C5690 - Indigo	065	000	210	040	055
195 ⇔ 202	C5080 - V Dk Blue	000	203	230	000	040
203 ⇔ 210	C5081 - V Dk Blue2	040	199	240	000	045
211 ⇔ 218	C4370 - Yel Green	027	255	028	016	104
219 ⇔ 226	C4070 - Green	049	255	055	120	090
227 ⇔ 234	C4550 - Turquoise	060	230	109	000	245
235 ⇔ 242	C4560 - Aqua	020	240	126	036	255
243 ⇔ 250	C4570 - Blue Green	000	255	079	030	053
251 ⇔ 255	--	000	000	000	000	000



Let op: De kleuren hierboven zijn gesimuleerde waargaven van de kleurenitvoer die zijn geproduceerd, in vergelijking met de andere gelijksoortige lichtproducten. Chauvet geeft geen garantie over de nauwkeurigheid van de kleuropbrengst.

Kleurtemperatuur-kaart

DMX-kanaalwaarde	Weergave op het display	Rode waarde	Groene waarde	Blaauwe waarde	Gele waarde	Lime waarde
000 ⇔ 005	--	000	000	000	000	000
006 ⇔ 025	2800K	198	065	056	220	230
026 ⇔ 050	3000K	181	078	074	220	230
051 ⇔ 075	3200K	165	092	093	220	230
076 ⇔ 100	3500K	153	128	111	220	230
101 ⇔ 125	4000K	127	128	163	220	230
126 ⇔ 150	4500K	106	128	200	220	230
151 ⇔ 175	5000K	092	128	230	220	230
176 ⇔ 200	5600K	073	128	255	220	230
201 ⇔ 225	6000K	048	128	255	220	230
226 ⇔ 250	6500K	019	128	255	220	230
251 ⇔ 255	--	000	000	000	000	000



Let op: De bovenstaande kleurtemperaturen zijn gesimuleerde weergaven van de geproduceerde kleuropbrengst, in vergelijking met een wolfram-lamp bij de opgegeven kleurtemperatuur. Chauvet geeft geen garantie over de nauwkeurigheid van de kleuropbrengst.

Beschrijving bedienings paneel

Toets	Functie
<MENU>	Sluit het huidige menu of functie af
<ENTER>	Activeert het huidige getoonde menu of plaatst de huidige geselecteerde waarde in de geselecteerde functie
<UP>	Navigeert omhoog via het menu of verhoogt de numerieke waarde wanneer in een functie
<DOWN>	Navigeert omlaag via het menu of verlaagt de numerieke waarde wanneer in een functie
<Color Temperature>	Eerst indrukken en daarna draaien om de selecteren de kleurtemperatuur
<Dimmer>	Eerst indrukken en daarna draaien om de dimmer te verhogen of te verlagen
<Zoom>	Eerst indrukken en daarna draaien om de zoom te verhogen of te verlagen

Menu-map

Hoofdniveau	Programmeerniveaus	Beschrijving
DMX Address	001–512*	Selecteert het start-adres (*hoogste kanaal beperkt tot de gekozen persoonlijkheid)
DMX Channel	1Ch	1-kanaal: dimmer
	3Ch	3-kanaal: dimmer, virtuele kleurenwiel, kleurtemperatuur
	5Ch	5-kanaal: RGBAL
	7Ch	7-kanaal: dimmer, RGBAL, stroboscoop
	11Ch	11-kanaal: 16-bit dimmer, RGBAL, stroboscoop, virtuele kleurenwiel, kleurtemperatuur, zoom
	13Ch	13-kanaal: 16-bit RGBAL en dimmer, stroboscoop
	14Ch	14-kanaal: dimmer, RGBAL, stroboscoop, virtuele kleurenwiel, kleurtemperatuur, automatische programma's, programmasnelheid, controle, zoom, motorreset
	18Ch	18-kanaal: 16-bit RGBAL en dimmer, stroboscoop, virtuele kleurenwiel, kleurtemperatuur, zoom, motorreset, controle
	HSV	3-kanaal: tint, verzadiging, waarde

Hoofdniveau	Programmeerniveaus		Beschrijving	
Virtual Color Wheel	Virtual Color Wheel	C3050 - Md Yellow C3040 - Lt Yellow C3240 - Amb Yellow C2340 - VLt Amber C2040 - Lt Amber C2050 - Md Amber C2060 - Dk Amber C1050 - Lt Red C1080 - Md Red C1020 - NC Pink C1030 - Md Pink C1630 - Dk Pink C1250 - Md Red Amber C1060 - Dk Red Amber C1650 - Magenta C6170 - Dk Magenta C6020 - Lt Lavender C5030 - Lt Blue C5020 - VLt Blue C5430 - Lt Blue 2 C5070 - Blue C5050 - Md Blue C5060 - Dk Blue C5690 - Indigo C5080 - Vdk Blue C5081 - Vdk Blue 2 C4370 - Yel Green C4070 - Green C4550 - Turquoise C4560 - Aqua C4570 - Blue Green	Dimmer 000–255	Het virtuele kleurenwiel simuleert de opbrengst van elke gelkleur. Raadpleeg de sectie Kleurenkaart voor specifieke waarden.
	Color Temperature	2800K 3000K 3200K 3500K 4000K 4500K 5000K 5600K 6000K 6500K	Dimmer 000–255	Vooringselste wite kleurtemperaturen. Emuleert een wolfram-lamp bij de opgegeven kleurtemperatuur. Raadpleeg de sectie Kleurtemperatuur-kaart voor specifieke waarden.
	Manual Color Mixer	Red Green Blue Amber Lime	000–255	Combineert rood, groen, blauw, amber en lime om een aangepaste kleur te genereren (0–100%)
Auto Show	Auto 1–5	1–100	Selecteert automatische programma's en automatische programmasnelheid	
Zoom	0–255		Controleert de zoom	
Red Shift	On		Bootst halogeenlamp dimmen na	
	Off			
Master/ Slave	Master		Ontvangt DMX-signalen van de DMX-controller	
	Slave		Ontvangt DMX-signalen van de master	

Hoofdniveau	Programmeerniveaus		Beschrijving
Dimmer Curve	S-Curve Linear Square Inverse Square		Stelt de dimcurve in
	Off		Lineaire dimmer
Dimmer Mode	Dimmer 1–3		Selecteert dimprofielen van snel (Dimmer 1) tot langzaam (Dimmer 3)
	Off		Gebruikt standaard witte instelling
White Balance	Manual	Red	Stelt de maximum waarde van de rood LED in
		Green	Stelt de maximum waarde van de groen LED in
		Blue	Stelt de maximum waarde van de blauw LED in
		Amber	Stelt de maximum waarde van de amber LED in
		Lime	Stelt de maximum waarde van de lime LED in
LED Frequency	125–255		
	600Hz 1200Hz 2000Hz 4000Hz 6000Hz 25KHz		Selecteert de PWM-uitgangsfrequentie
	Auto		Ingesteld de ventilator automatische modus
	On		Ingesteld de ventilator altijd aan modus
	Off		Ingesteld de ventilator altijd uit
	Silent		Ingesteld de ventilator stil
Back Light	10S		Schakelt de backlight van de display uit na 10s van inactiviteit
	30S		Schakelt de backlight van de display uit na 30s van inactiviteit
	2Min		Schakelt de backlight van de display uit na 2 min van inactiviteit
	Always On		De backlight van de display is altijd aan
Information	Fixture Hours	-----H	Toont het totale aantal producten
	LED Hours	<-----H>	Toont het totaal aantal LED-uren
	Version	V_._	Toont de geïnstalleerde softwareversie
	UID	-----	Geeft de huidige UID
Reset Zoom w/ Power	No		Behoudt zoom in de laatste stand wanneer ingeschakeld
	Yes		Herstelt de zoom naar de beginpositie wanneer ingeschakeld
Factory Reset	No		
	Yes		Herstellen naar de fabrieksstandaard



WAARSCHUWING: Bij werking in de ventilatormodus: Uit, de armatuur wordt voelt warmer aan dan bij gebruik van andere ventilatormodi. Gebruik de juiste beschermende uitrusting om brandwonden te voorkomen. Houd een veilige afstand van brandbare voorwerpen.



LET OP: Bij werking in de ventilatormodus: Uit, uitvoer van de armatuur wordt verminderd en zal niet dezelfde niveaus bereiken als bij andere ventilatormodi.

NL

DMX-waarden

18Ch

Kanaal	Functie	Waarde	Percentage/Instelling
1	Dimmer	000 ⇔ 255	0–100%
2	Fijn dimmer	000 ⇔ 255	0–100%
3	Rood	000 ⇔ 255	0–100%
4	Fijn rood	000 ⇔ 255	0–100%
5	Groen	000 ⇔ 255	0–100%
6	Fijn groen	000 ⇔ 255	0–100%
7	Blauw	000 ⇔ 255	0–100%
8	Fijn blauw	000 ⇔ 255	0–100%
9	Amber	000 ⇔ 255	0–100%
10	Fijn amber	000 ⇔ 255	0–100%
11	Lime	000 ⇔ 255	0–100%
12	Fijn lime	000 ⇔ 255	0–100%
13	Stroboscoop	000 ⇔ 010 011 ⇔ 255	Geen functie Stroboscoop, langzaam tot snel
14	Virtueel kleurenwiel	000 ⇔ 255	Raadpleeg de sectie Kleurenkaart
15	Kleurtemperatuur	000 ⇔ 255	Raadpleeg de sectie Kleurtemperatuur-kaart
16	Zoom	000 ⇔ 255	Smal tot breed
17	Motorreset	000 ⇔ 200 201 ⇔ 220 221 ⇔ 255	Geen functie Motorreset Geen functie
18	Controle (houd 3 seconden ingedrukt)	000 ⇔ 007 008 ⇔ 015 016 ⇔ 023 024 ⇔ 031 032 ⇔ 039 040 ⇔ 047 048 ⇔ 055 056 ⇔ 063 064 ⇔ 071 072 ⇔ 079 080 ⇔ 087 088 ⇔ 095 096 ⇔ 103 104 ⇔ 111 112 ⇔ 119 120 ⇔ 127 128 ⇔ 255	Geen functie Dimmer reset Rode shift aan Rode shift uit S-Curve dimcurve Lineaire dimcurve Vierkante dimcurve Omgekeerde vierkante dimcurve Dimmer snelheid modus uit Dimmersnelheidsmodus 1 Dimmersnelheidsmodus 2 Dimmersnelheidsmodus 3 Automatische ventilator Ventilator aan Ventilator uit Stille ventilator Geen functie (gereserveerd)

14Ch

Kanaal	Functie	Waarde	Percentage/Instelling
1	Dimmer	000 ⇄ 255	0–100%
2	Rood	000 ⇄ 255	0–100%
3	Groen	000 ⇄ 255	0–100%
4	Blauw	000 ⇄ 255	0–100%
5	Amber	000 ⇄ 255	0–100%
6	Lime	000 ⇄ 255	0–100%
7	Stroboscoop	000 ⇄ 010 011 ⇄ 255	Geen functie Stroboscoop, langzaam tot snel
8	Virtueel kleurenwiel	000 ⇄ 255	Raadpleeg de sectie Kleurenkaart
9	Kleurtemperatuur	000 ⇄ 255	Raadpleeg de sectie Kleurtemperatuur-kaart
10	Programmes auto	000 ⇄ 010 011 ⇄ 060 061 ⇄ 110 111 ⇄ 160 161 ⇄ 210 211 ⇄ 255	Geen functie Auto 1 Auto 2 Auto 3 Auto 4 Auto 5
11	Autosnelheid	000 ⇄ 255	0–100%
12	Controle (houd 3 seconden ingedrukt)	000 ⇄ 007 008 ⇄ 015 016 ⇄ 023 024 ⇄ 031 032 ⇄ 039 040 ⇄ 047 048 ⇄ 055 056 ⇄ 063 064 ⇄ 071 072 ⇄ 079 080 ⇄ 087 088 ⇄ 095 096 ⇄ 103 104 ⇄ 111 112 ⇄ 119 120 ⇄ 127 128 ⇄ 255	Geen functie Dimmer reset Rode shift aan Rode shift uit S-Curve dimcurve Lineaire dimcurve Vierkante dimcurve Omgekeerde vierkante dimcurve Dimmer snelheid modus uit Dimmersnelheidsmodus 1 Dimmersnelheidsmodus 2 Dimmersnelheidsmodus 3 Automatische ventilator Ventilator aan Ventilator uit Stille ventilator Geen functie (gereserveerd)
13	Zoom	000 ⇄ 255	Smal tot breed
14	Motorreset	000 ⇄ 200 201 ⇄ 220 221 ⇄ 255	Geen functie Motorreset Geen functie

NL

13Ch

Kanaal	Functie	Waarde	Percentage/Instelling
1	Dimmer	000 ⇔ 255	0–100%
2	Fijn dimmer	000 ⇔ 255	0–100%
3	Rood	000 ⇔ 255	0–100%
4	Fijn rood	000 ⇔ 255	0–100%
5	Groen	000 ⇔ 255	0–100%
6	Fijn groen	000 ⇔ 255	0–100%
7	Blauw	000 ⇔ 255	0–100%
8	Fijn blauw	000 ⇔ 255	0–100%
9	Amber	000 ⇔ 255	0–100%
10	Fijn amber	000 ⇔ 255	0–100%
11	Lime	000 ⇔ 255	0–100%
12	Fijn lime	000 ⇔ 255	0–100%
13	Stroboscoop	000 ⇔ 010 011 ⇔ 255	Geen functie Stroboscoop, langzaam tot snel

11Ch

Kanaal	Functie	Waarde	Percentage/Instelling
1	Dimmer	000 ⇔ 255	0–100%
2	Fijne dimmer	000 ⇔ 255	0–100%
3	Rood	000 ⇔ 255	0–100%
4	Groen	000 ⇔ 255	0–100%
5	Blauw	000 ⇔ 255	0–100%
6	Amber	000 ⇔ 255	0–100%
7	Lime	000 ⇔ 255	0–100%
8	Stroboscoop	000 ⇔ 010 011 ⇔ 255	Geen functie Stroboscoop, langzaam tot snel
9	Virtueel kleurenwiel	000 ⇔ 255	Raadpleeg de sectie Kleurenkaart
10	Kleurtemperatuur	000 ⇔ 255	Raadpleeg de sectie Kleurtemperatuur-kaart
11	Zoom	000 ⇔ 255	Smal tot breed

7Ch

Kanaal	Functie	Waarde	Percentage/Instelling
1	Dimmer	000 ⇔ 255	0–100%
2	Rood	000 ⇔ 255	0–100%
3	Groen	000 ⇔ 255	0–100%
4	Blauw	000 ⇔ 255	0–100%
5	Amber	000 ⇔ 255	0–100%
6	Lime	000 ⇔ 255	0–100%
7	Stroboscoop	000 ⇔ 010 011 ⇔ 255	Geen functie Stroboscoop, langzaam tot snel
8	Rode shift	000 ⇔ 010 011 ⇔ 127 128 ⇔ 255	Geen functie Aan Uit

5Ch

Kanaal	Functie	Waarde	Percentage/Instelling
1	Rood	000 ⇔ 255	0–100%
2	Groen	000 ⇔ 255	0–100%
3	Blauw	000 ⇔ 255	0–100%
4	Amber	000 ⇔ 255	0–100%
5	Lime	000 ⇔ 255	0–100%

3Ch

Kanaal	Functie	Waarde	Percentage/Instelling
1	Dimmer	000 ⇔ 255	0–100%
2	Virtueel kleurenwiel	000 ⇔ 255	Raadpleeg de sectie Kleurenkaart
3	Kleurtemperatuur	000 ⇔ 255	Raadpleeg de sectie Kleurtemperatuur-kaart

1Ch

Kanaal	Functie	Waarde	Percentage/Instelling
1	Dimmer	000 ⇔ 255	0–100%

HSV

Kanaal	Functie	Waarde	Percentage/Instelling
1	Tint	000 ⇔ 255	0–100%
2	Verzadiging	000 ⇔ 255	0–100%
3	Waarde	000 ⇔ 255	0–100%

Contact Us

General Information	Technical Support
Chauvet World Headquarters	
Address: 5200 NW 108th Ave. Sunrise, FL 33351 Voice: (954) 577-4455 Fax: (954) 929-5560 Toll Free: (800) 762-1084	Voice: (844) 393-7575 Fax: (954) 756-8015 Email: chauvetcs@chauvetlighting.com Website: www.chauvetprofessional.com
Chauvet Europe Ltd	
Address: Unit 1C Brookhill Road Industrial Estate Pinxton, Nottingham, UK NG16 6NT Voice: +44 (0) 1773 511115 Fax: +44 (0) 1773 511110	Email: UKtech@chauvetlighting.eu Website: www.chauvetprofessional.eu
Chauvet Europe BVBA	
Address: Stokstraat 18 9770 Kruishoutem Belgium Voice: +32 9 388 93 97	Email: BNLtech@chauvetlighting.eu Website: www.chauvetprofessional.eu
Chauvet France	
Address: 3, Rue Ampère 91380 Chilly-Mazarin France Voice: +33 1 78 85 33 59	Email: FRtech@chauvetlighting.fr Website: www.chauvetprofessional.eu
Chauvet Germany	
Address: Bruno-Bürgel-Str. 11 28759 Bremen Germany Voice: +49 421 62 60 20	Email: DEtech@chauvetlighting.de Website: www.chauvetprofessional.eu
Chauvet Mexico	
Address: Av. de las Partidas 34 - 3B (Entrance by Calle 2) Zona Industrial Lerma Lerma, Edo. de México, CP 52000 Voice: +52 (728) 690-2010	Email: servicio@chauvet.com.mx Website: www.chauvetprofessional.mx

Visit the applicable website above to verify our contact information and instructions to request support. Outside the U.S., U.K., Ireland, Benelux, France, Germany, or Mexico, contact the dealer of record.



UL 1573
CSA C22.2 No. 166
E113093

