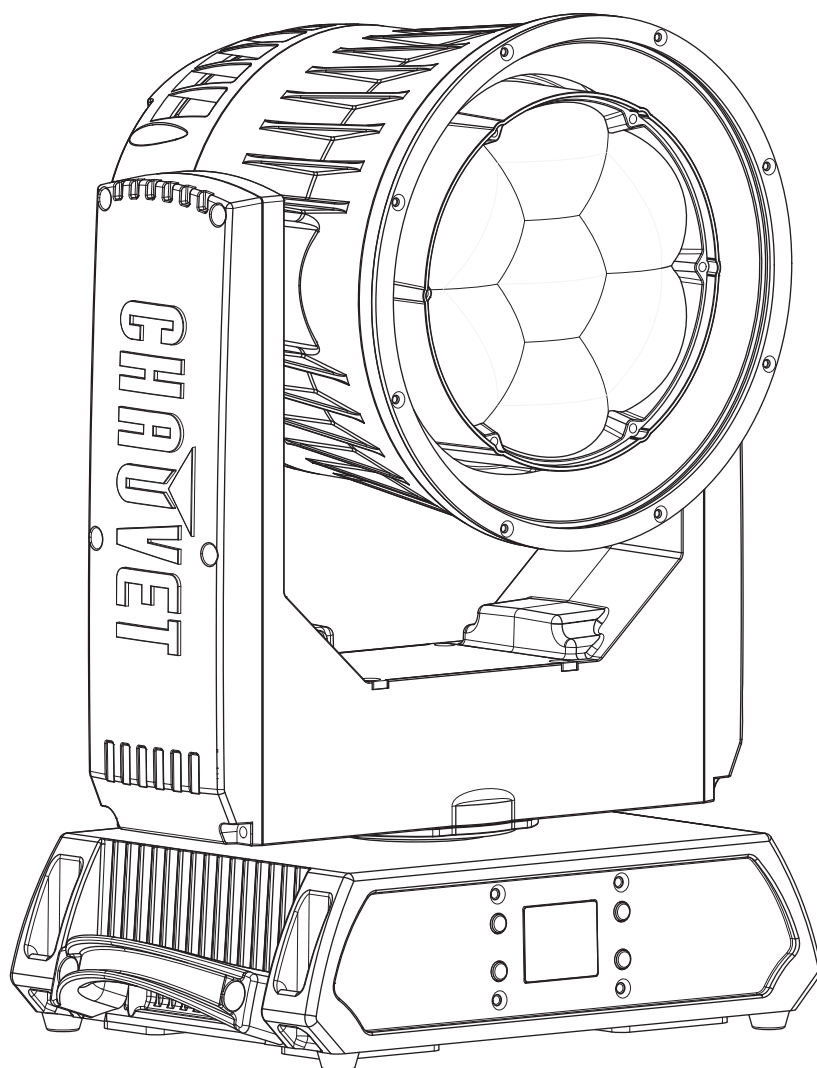


ROGUE

OUTCAST
1 BEAM
WASH

Quick Reference Guide

English	EN
Español	ES
Français	FR
Deutsch	DE
Nederlands	NL



Model ID: ROGUEOUTCAST1BEAMWASH


CHAUVET
PROFESSIONAL

About This Guide

The Rogue Outcast 1 Beam Wash Quick Reference Guide (QRG) has basic product information such as mounting, menu options, and DMX values. Download the User Manual from www.chauvetprofessional.com for more details.

Disclaimer

The information and specifications contained in this QRG are subject to change without notice.

LIMITED WARRANTY

FOR WARRANTY REGISTRATION AND COMPLETE TERMS AND CONDITIONS PLEASE VISIT OUR WEBSITE.

For Customers in the United States and Mexico: www.chauvetlighting.com/warranty-registration.

For Customers in the United Kingdom, Republic of Ireland, Belgium, the Netherlands, Luxembourg, France, and Germany: www.chauvetlighting.eu/warranty-registration.

Chauvet warrants that this product shall be free from defects in material and workmanship under normal use, for the period specified in, and subject to the exclusions and limitations set forth in the full limited warranty on our website. This warranty extends only to the original purchaser of the product and is not transferable. To exercise rights under this warranty, you must provide proof of purchase in the form of an original sales receipt from an authorized dealer that shows the product name and date of purchase. THERE ARE NO OTHER EXPRESS OR IMPLIED WARRANTIES. This warranty gives you specific legal rights. You may also have other rights that vary from state to state and country to country. This warranty is valid only in the United States, United Kingdom, Republic of Ireland, Belgium, the Netherlands, Luxembourg, France, Germany and Mexico. For warranty terms in other countries, please consult your local distributor.

Safety Notes

These Safety Notes include important information about installation, use, and maintenance.

- The luminaire should be positioned so that prolonged staring into the luminaire at a distance closer than 18.04 ft (5.5 m) is not expected.
- If the external flexible cable or cord of this luminaire is damaged, it shall be replaced by a special cord or cord exclusively available from the manufacturer or his service agent.
- The light source contained in this luminaire shall only be replaced by the manufacturer or his service agent or a similar qualified person.
- The luminaire is intended for professional use only.
- DO NOT open this product. It contains no user-serviceable parts.
- DO NOT look at the light source when the product is on.
- DO NOT operate this product if the housing, lenses, or cables appear damaged.
- DO NOT connect this product to a dimmer or rheostat.
- DO NOT leave any flammable material within 50 cm of this product while operating or connected to power.
- DO NOT submerge this product. Temporary outdoor operation is fine (IP65).
- Not for permanent outdoor installation in locations with extreme environmental conditions. This includes, but is not limited to:
 - Exposure to a marine/saline environment (within 3 miles of a saltwater body of water).
 - Where the normal high or low temperatures of the location exceed the temperature ranges in this manual.
 - Locations that are prone to flooding or being buried in snow.
 - Other areas where the product will be subject to extreme radiation or caustic substances.
- CAUTION: When transferring product from extreme temperature environments, (e.g. cold truck to warm humid ballroom) condensation may form on the internal electronics of the product. To avoid causing a failure, allow product to fully acclimate to the surrounding environment before connecting it to power.
- CAUTION: This product's housing may be hot when lights are operating.
- USE a safety cable when mounting this product overhead.
- ONLY connect this product to a grounded and protected circuit.
- ONLY use the hanging/mounting bracket or the handles to carry this product. Do not carry by the moving head.
- To eliminate unnecessary wear and improve its lifespan, during periods of non-use completely disconnect the product from power via breaker or by unplugging it.
- Mount this product in a location with adequate ventilation, at least 20 in (50 cm) from adjacent surfaces.
- In the event of a serious operating problem, stop using immediately.
- The maximum ambient temperature is 113 °F (45 °C). Do not operate this product at higher temperatures.

Contact

Outside the U.S., U.K., Ireland, Benelux, France, Germany, or Mexico, contact your distributor to request support or return a product. Refer to [Contact Us](#) at the end of this QRG for contact information.

What is Included

- Rogue Outcast 1 Beam Wash
- Seetronic Powerkon IP65 power cord
- 2 Omega brackets with mounting hardware
- Quick Reference Guide

AC Power

This product has an auto-ranging power supply that can work with an input voltage range of 100–240 VAC, 50/60 Hz.

AC Plug

Connection	Wire (U.S.)	Wire (Europe)	Screw Color
AC Live	Black	Brown	Yellow/Brass
AC Neutral	White	Blue	Silver
AC Ground	Green/Yellow	Green/Yellow	Green

Power Linking

You can link up to 3 Rogue Outcast 1 Beam Wash products at 100 V, 4 products at 120 V, 7 products at 208 V, 7 products at 230 V, or 8 products at 240 V. Never exceed this number. Power linking cords can be purchased separately.



To eliminate unnecessary wear and improve its lifespan, during periods of non-use completely disconnect the product from power via breaker or by unplugging it.

Replacing the Fuse

1. Disconnect the product from power.
2. Using a flat head screwdriver, unscrew the fuse holder cap from the housing.
3. Remove blown fuse and replace with a good fuse of the same type and rating.
4. Screw the fuse holder cap back in place and reconnect power.

DMX Linking

The Rogue Outcast 1 Beam Wash will work with a DMX controller using a 5-pin DMX serial connection. A DMX Primer is available from www.chauvetprofessional.com.

DMX Connection

The Rogue Outcast 1 Beam Wash uses a 5-pin DMX data connection for its DMX personalities: **15Ch, 24Ch, 30Ch, 64Ch, 111Ch, and 135Ch**. See the User Manual for information about connecting and configuring the product for DMX operation.

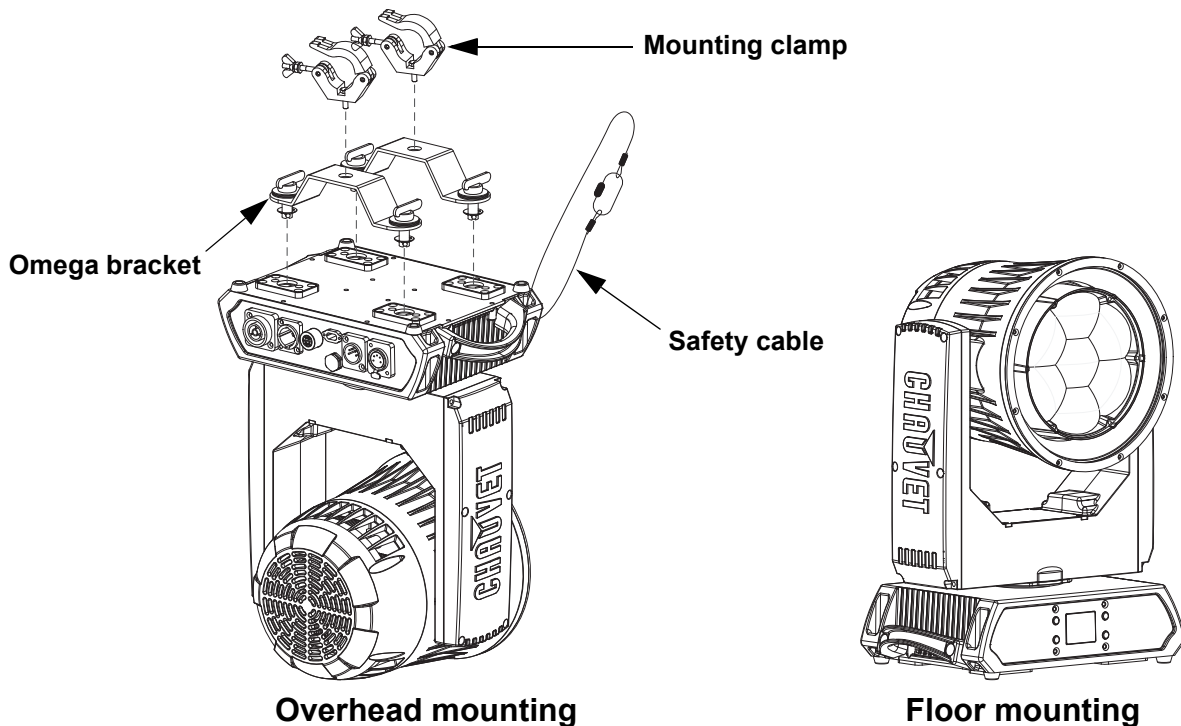
RDM (Remote Device Management)

Remote Device Management, or RDM, is a standard for allowing DMX-enabled devices to communicate bi-directionally along existing DMX cabling. Check the DMX controller’s User Manual or with the manufacturer as not all DMX controllers have this capability. The Rogue Outcast 1 Beam Wash supports RDM protocol that allows feedback to make changes to menu map options. Download the User Manual from www.chauvetprofessional.com for more details.

Mounting

Before mounting this product, read the [Safety Notes](#). Use at least two mounting points per product. Make sure the mounting clamps are capable of supporting the weight of the product. For our Chauvet line of mounting clamps, go to <http://trusst.com/productcategory/truss-clamps/>.

Mounting Diagram



Control Panel Description

Button	Function
<MENU>	Exits from the current menu or function
<ENTER>	Enables the currently displayed menu or sets the currently selected value into the selected function
<UP>	Navigates upwards through the menu list or increases the numeric value when in a function
<DOWN>	Navigates downwards through the menu list or decreases the numeric value when in a function

QUICK REFERENCE GUIDE



EN

Menu Map

Refer to the Rogue Outcast 1 Beam Wash product page on www.chauvetprofessional.com for the latest menu map.

Main Level	Programming Levels		Description	
Address	001–497		Sets the starting address	
Run Mode	DMX	15CH	Selects the DMX personality	
		24CH		
		30CH		
		64CH		
		111CH		
		135CH		
	Auto Test		Auto test all functions	
	Manual Test	Pan	0–255	Manually control and test all settings through the control panel
		Tilt		
		Dimmer		
		Shutter		
		Red 1		
		Green 1		
		Blue 1		
		Red 2		
Green 2				
Blue 2				
Red 3				
Green 3				
Blue 3				
Red 4				
Green 4				
Blue 4				
Red 5				
Green 5				
Blue 5				
Red 6				
Green 6				
Blue 6				
Red 7				
Green 7				
Blue 7				
Red 8				
Green 8				
Blue 8				
Red 9				
Green 9				
Blue 9				
Red 10				
Green 10				
Blue 10				
Red 11				
Green 11				
Blue 11				
Red 12				
Green 12				
Blue 12				
Red 13				
Green 13				
Blue 13				
White 13				
Zoom				

Main Level	Programming Levels		Description	
Setup	Pan Reverse	OFF	Normal pan	
		ON	Reversed pan	
	Tilt Reverse	OFF	Normal tilt	
		ON	Reversed tilt	
	Pan Angle	540	540° pan range	
		360	360° pan range	
		180	180° pan range	
	Tilt Angle	260	260° tilt range	
		180	180° tilt range	
		90	90° tilt range	
	Fans	Auto	Fan speed according to product temperature	
		Full	Fan speed set on high	
		ECO	Quiet mode	
	Display	OFF	Display times out	
		ON	Display stays on	
	Screen Rev	OFF	Normal screen display	
		ON	Inverted screen display	
	Dimmer Curve	Linear	Set the dimmer curve	
		Square		
		I Squa		
		SCurve		
	Dimmer Speed	Smooth	Sets the dimmer speed	
		Fast		
	PWM Option	600Hz	Sets the Pulse Width Modulation frequency	
		1200Hz		
		2000Hz		
		4000Hz		
		6000Hz		
	LED R POWER	050-100	Sets red LED power	
		LED G POWER	050-100	Sets green LED power
LED B POWER		050-100	Sets blue LED power	
LED W POWER		050-100	Sets white LED power	
White Mode		On	Calibrates white to 7500K	
	Off	Uses maximum output values		
	Custom	RED	000-255	Sets red LED maximum value
		GREEN		Sets green LED maximum value
		BLUE		Sets blue LED maximum value
WHITE		Sets white LED maximum value		
Color Calibration	On	Uses factory default white setting		
	Off	Uses maximum output values		
	Custom	RED	100-255	Sets red LED maximum value
		GREEN		Sets green LED maximum value
BLUE		Sets blue LED maximum value		
USB Update	NO	Enables/disables updating firmware through USB		
	YES			
Reset Function	Pan/Tilt	NO/YES	Reset individual functions or all functions from start-up	
	Zoom			
	All			
Factory Settings	YES	Reset to factory default settings		
	NO			

QUICK REFERENCE GUIDE



EN

Main Level	Programming Levels		Description
Sys Info	Ver	V_ _ _	Shows current firmware version
	Running Mode	_ _ _	Shows current running mode
	DMX Address	_ _ _	Shows current DMX address
	Temperature	_ _ °C	Shows the product's temperature in °C
	Fixture Time	_ _ _ _	Shows number of hours product has been powered on
	UID	_ _ _ _ _ _ _ _	Shows product UID
	Head Fan1-6	_ _ _ _ _	Shows the speed of the fans in rpm

DMX Values

Preset Color Chart

DMX Value	Function	Red Value	Green Value	Blue Value	White Value
005 ⇔ 009	Color 1	000	000	000	255
010 ⇔ 014	Color 2	255	235	053	000
015 ⇔ 019	Color 3	214	134	048	000
020 ⇔ 024	Color 4	255	000	044	000
025 ⇔ 029	Color 5	255	059	113	000
030 ⇔ 034	Color 6	255	138	219	000
035 ⇔ 039	Color 7	226	175	226	000
040 ⇔ 044	Color 8	040	001	255	000
045 ⇔ 049	Color 9	000	000	255	000
050 ⇔ 054	Color 10	000	078	255	000
055 ⇔ 059	Color 11	000	199	255	000
060 ⇔ 064	Color 12	000	255	234	000
065 ⇔ 069	Color 13	149	246	255	000
070 ⇔ 074	Color 14	137	255	227	000
075 ⇔ 079	Color 15	213	220	222	000
080 ⇔ 084	Color 16	219	232	175	000
085 ⇔ 089	Color 17	205	255	199	000
090 ⇔ 094	Color 18	115	255	163	000
095 ⇔ 099	Color 19	006	255	143	000
100 ⇔ 104	Color 20	000	255	094	000
105 ⇔ 109	Color 21	029	255	000	000
110 ⇔ 114	Color 22	032	223	000	000
115 ⇔ 119	Color 23	075	255	000	000
120 ⇔ 124	Color 24	080	232	000	000
125 ⇔ 129	Color 25	108	226	000	000
130 ⇔ 134	Color 26	145	194	000	000
135 ⇔ 139	Color 27	210	255	000	000
140 ⇔ 144	Color 28	225	232	000	000
145 ⇔ 149	Color 29	023	215	000	000
150 ⇔ 154	Color 30	247	214	000	000
155 ⇔ 159	Color 31	255	163	000	000
160 ⇔ 164	Color 32	255	152	000	000
165 ⇔ 169	Color 33	255	108	000	000
170 ⇔ 174	Color 34	255	255	255	255

Background Color Chart

DMX Value	Function	Red Value	Green Value	Blue Value	White Value
001 ⇔ 002	2700K white	156	118	000	063
003 ⇔ 004	3200K white	156	141	005	089
005 ⇔ 006	4200K white	156	141	014	255
007 ⇔ 008	5600K white	156	207	054	255
009 ⇔ 010	8000K white	130	255	096	255
011	Blue	000	000	255	000
012 ⇔ 048	Green increases	000	001–254	255	000
049	Cyan	000	255	255	000
050 ⇔ 086	Blue decreases	000	255	254–001	000
87	Green	000	255	000	000
088 ⇔ 124	Red increases	001–254	255	000	000
125	Yellow	255	255	000	000
126 ⇔ 162	Green decreases	255	254–001	000	000
163	Red	255	000	000	000
164 ⇔ 200	Blue increases	255	000	001–254	000
201	Magenta	255	000	255	000
202 ⇔ 238	Red decreases	254–001	000	255	000
239	Blue	000	000	255	000

135CH

Channel	Function	Value	Percent/Setting
1	Pan	000 ⇔ 255	0–100%
2	Fine pan	000 ⇔ 255	Fine control (16-bit)
3	Tilt	000 ⇔ 255	0–100%
4	Fine tilt	000 ⇔ 255	Fine control (16-bit)
5	Pan/tilt speed	000 ⇔ 255	Fast to slow
6	CTC	000	No function
		001 ⇔ 255	Color temperature, 19000–2700K
7	Ring preset color	000 ⇔ 004	No function
		005 ⇔ 174	Color 1–34 (see Preset Color Chart [no white])
		175 ⇔ 179	No function
		180 ⇔ 201	Color fade, fast to slow
		202 ⇔ 207	Stop
		208 ⇔ 229	Reverse color fade, fast to slow
		230 ⇔ 234	No function
		235 ⇔ 249	Color jump, fast to slow
250 ⇔ 255	No function		
8	Center preset color	000 ⇔ 004	No function
		005 ⇔ 174	Color 1–34 (see Preset Color Chart)
		175 ⇔ 179	No function
		180 ⇔ 201	Color fade, fast to slow
		202 ⇔ 207	Stop
		208 ⇔ 229	Reverse color fade, fast to slow
		230 ⇔ 234	No function
		235 ⇔ 249	Color jump, fast to slow
250 ⇔ 255	No function		
9	Pattern	000	No function
		001 ⇔ 255	Pattern 1–255

QUICK REFERENCE GUIDE



EN

Channel	Function	Value	Percent/Setting
10	LED macro	000 ⇔ 005	No function
		006 ⇔ 010	LED macro 1
		011 ⇔ 015	LED macro 2
		016 ⇔ 020	LED macro 3
		021 ⇔ 025	LED macro 4
		026 ⇔ 030	LED macro 5
		031 ⇔ 035	LED macro 6
		036 ⇔ 040	LED macro 7
		041 ⇔ 045	LED macro 8
		046 ⇔ 050	LED macro 9
		051 ⇔ 055	LED macro 10
		056 ⇔ 060	LED macro 11
		061 ⇔ 065	LED macro 12
		066 ⇔ 070	LED macro 13
		071 ⇔ 075	LED macro 14
		076 ⇔ 080	LED macro 15
		081 ⇔ 085	LED macro 16
		086 ⇔ 090	LED macro 17
		091 ⇔ 095	LED macro 18
		096 ⇔ 100	LED macro 19
		101 ⇔ 105	LED macro 20
		106 ⇔ 110	LED macro 21
		111 ⇔ 115	LED macro 22
		116 ⇔ 120	LED macro 23
		121 ⇔ 125	LED macro 24
		126 ⇔ 130	LED macro 25
		131 ⇔ 135	LED macro 26
		136 ⇔ 140	LED macro 27
		141 ⇔ 145	LED macro 28
		146 ⇔ 150	LED macro 29
		151 ⇔ 155	LED macro 30
		156 ⇔ 160	LED macro 31
		161 ⇔ 165	LED macro 32
		166 ⇔ 170	LED macro 33
171 ⇔ 175	LED macro 34		
176 ⇔ 180	LED macro 35		
181 ⇔ 185	LED macro 36		
186 ⇔ 190	LED macro 37		
191 ⇔ 195	LED macro 38		
199 ⇔ 200	LED macro 39		
201 ⇔ 205	LED macro 40		
206 ⇔ 210	LED macro 41		
211 ⇔ 215	LED macro 42		
216 ⇔ 255	No function		
11	LED macro speed	000 ⇔ 127 128 129 ⇔ 255	LED macro speed, fast to slow Stop Reverse LED macro, slow to fast
12	LED macro delay	000 ⇔ 255	LED macro delay, fast to slow
13	Background color	000	No function
		001 ⇔ 239	Background colors (see Background Color Chart)
		240 ⇔ 247 248 ⇔ 255	Color fade, fast to slow Color jump, fast to slow
14	Background dimmer	000 ⇔ 255	0–100%
15	Bg. fine dimmer	000 ⇔ 255	Fine control (16-bit)
16	Master dimmer	000 ⇔ 255	0–100%
17	Master fine dimmer	000 ⇔ 255	Fine control (16-bit)

Channel	Function	Value	Percent/Setting
18	Ring strobe	000 ⇔ 019	Off
		020 ⇔ 024	On
		025 ⇔ 069	Strobe, fast to slow
		070 ⇔ 089	Fading strobe 100–0%, fast to slow
		090 ⇔ 109	Fading strobe 0–100%, fast to slow
		110 ⇔ 129	Random strobe, fast to slow
		130 ⇔ 149	Random fading strobe 100–0%, fast to slow
		150 ⇔ 169	Random fading strobe 0–100%, fast to slow
		170 ⇔ 189	Pulse strobe, fast to slow
		190 ⇔ 209	Random pulse strobe, fast to slow
		210 ⇔ 229	Fading strobe 100–0–100%, fast to slow
		230 ⇔ 244	Random pulse strobe, fast to slow
		245 ⇔ 255	On
19	Center strobe	000 ⇔ 019	Off
		020 ⇔ 024	On
		025 ⇔ 069	Strobe, fast to slow
		070 ⇔ 089	Fading strobe 100–0%, fast to slow
		090 ⇔ 109	Fading strobe 0–100%, fast to slow
		110 ⇔ 129	Random strobe, fast to slow
		130 ⇔ 149	Random fading strobe 100–0%, fast to slow
		150 ⇔ 169	Random fading strobe 0–100%, fast to slow
		170 ⇔ 189	Pulse strobe, fast to slow
		190 ⇔ 209	Random pulse strobe, fast to slow
20	Zoom	000 ⇔ 255	Zoom in to zoom out
21	Control (*Activates in 5 seconds)	000 ⇔ 009	No function
		010 ⇔ 014	Blackout on pan/tilt
		015 ⇔ 029	Reserved for future use
		030 ⇔ 034	Synchronize ring and center LEDs*
		035 ⇔ 039	De-synchronize ring and center LEDs*
		040 ⇔ 044	Defrost fan on
		045 ⇔ 049	Defrost fan off
		050 ⇔ 054	Reset pan*
		055 ⇔ 059	Reset tilt*
		060 ⇔ 064	Reset zoom
		065 ⇔ 069	Reserved for future use
		050 ⇔ 074	Reset all*
		075 ⇔ 119	Reserved for future use
		120 ⇔ 124	Fan mode ECO*
		125 ⇔ 129	Fan mode Full*
		130 ⇔ 134	Fan mode Auto*
		135 ⇔ 139	Dimmer mode fast*
		140 ⇔ 144	Dimmer mode smooth*
		145 ⇔ 149	Linear dimmer curve
		150 ⇔ 154	Square dimmer curve
		155 ⇔ 159	Inverse square dimmer curve
		160 ⇔ 164	S-curve dimmer curve
		165 ⇔ 169	WHITE mode
		170 ⇔ 174	FULL mode
		175 ⇔ 179	Single-color calibration off
		180 ⇔ 184	Single-color calibration on
185 ⇔ 239	No function		
240 ⇔ 247	Calibration on		
248 ⇔ 255	Calibration off		
22	Red	000 ⇔ 255	0–100%

QUICK REFERENCE GUIDE



EN

Channel	Function	Value	Percent/Setting
23	Fine red	000 ⇔ 255	Fine control (16-bit)
24	Green	000 ⇔ 255	0–100%
25	Fine green	000 ⇔ 255	Fine control (16-bit)
26	Blue	000 ⇔ 255	0–100%
27	Fine blue	000 ⇔ 255	Fine control (16-bit)
28	White	000 ⇔ 255	0–100%
29	Fine white	000 ⇔ 255	Fine control (16-bit)
30	Dimmer 1	000 ⇔ 255	0–100%
31	Fine dimmer 1	000 ⇔ 255	Fine control (16-bit)
32	Red 1	000 ⇔ 255	0–100%
33	Fine red 1	000 ⇔ 255	Fine control (16-bit)
34	Green 1	000 ⇔ 255	0–100%
35	Fine green 1	000 ⇔ 255	Fine control (16-bit)
36	Blue 1	000 ⇔ 255	0–100%
37	Fine blue 1	000 ⇔ 255	Fine control (16-bit)
38	Dimmer 2	000 ⇔ 255	0–100%
39	Fine dimmer 2	000 ⇔ 255	Fine control (16-bit)
40	Red 2	000 ⇔ 255	0–100%
41	Fine red 2	000 ⇔ 255	Fine control (16-bit)
42	Green 2	000 ⇔ 255	0–100%
43	Fine green 2	000 ⇔ 255	Fine control (16-bit)
44	Blue 2	000 ⇔ 255	0–100%
45	Fine blue 2	000 ⇔ 255	Fine control (16-bit)
46	Dimmer 3	000 ⇔ 255	0–100%
47	Fine dimmer 3	000 ⇔ 255	Fine control (16-bit)
48	Red 3	000 ⇔ 255	0–100%
49	Fine red 3	000 ⇔ 255	Fine control (16-bit)
50	Green 3	000 ⇔ 255	0–100%
51	Fine green 3	000 ⇔ 255	Fine control (16-bit)
52	Blue 3	000 ⇔ 255	0–100%
53	Fine blue 3	000 ⇔ 255	Fine control (16-bit)
54	Dimmer 4	000 ⇔ 255	0–100%
55	Fine dimmer 4	000 ⇔ 255	Fine control (16-bit)
56	Red 4	000 ⇔ 255	0–100%
57	Fine red 4	000 ⇔ 255	Fine control (16-bit)
58	Green 4	000 ⇔ 255	0–100%
59	Fine green 4	000 ⇔ 255	Fine control (16-bit)
60	Blue 4	000 ⇔ 255	0–100%
61	Fine blue 4	000 ⇔ 255	Fine control (16-bit)
62	Dimmer 5	000 ⇔ 255	0–100%
63	Fine dimmer 5	000 ⇔ 255	Fine control (16-bit)
64	Red 5	000 ⇔ 255	0–100%
65	Fine red 5	000 ⇔ 255	Fine control (16-bit)
66	Green 5	000 ⇔ 255	0–100%
67	Fine green 5	000 ⇔ 255	Fine control (16-bit)
68	Blue 5	000 ⇔ 255	0–100%
69	Fine blue 5	000 ⇔ 255	Fine control (16-bit)
70	Dimmer 6	000 ⇔ 255	0–100%
71	Fine dimmer 6	000 ⇔ 255	Fine control (16-bit)
72	Red 6	000 ⇔ 255	0–100%
73	Fine red 6	000 ⇔ 255	Fine control (16-bit)
74	Green 6	000 ⇔ 255	0–100%
75	Fine green 6	000 ⇔ 255	Fine control (16-bit)
76	Blue 6	000 ⇔ 255	0–100%
77	Fine blue 6	000 ⇔ 255	Fine control (16-bit)
78	Dimmer 7	000 ⇔ 255	0–100%
79	Fine dimmer 7	000 ⇔ 255	Fine control (16-bit)

Channel	Function	Value	Percent/Setting
80	Red 7	000 ⇔ 255	0–100%
81	Fine red 7	000 ⇔ 255	Fine control (16-bit)
82	Green 7	000 ⇔ 255	0–100%
83	Fine green 7	000 ⇔ 255	Fine control (16-bit)
84	Blue 7	000 ⇔ 255	0–100%
85	Fine blue 7	000 ⇔ 255	Fine control (16-bit)
86	Dimmer 8	000 ⇔ 255	0–100%
87	Fine dimmer 8	000 ⇔ 255	Fine control (16-bit)
88	Red 8	000 ⇔ 255	0–100%
89	Fine red 8	000 ⇔ 255	Fine control (16-bit)
90	Green 8	000 ⇔ 255	0–100%
91	Fine green 8	000 ⇔ 255	Fine control (16-bit)
92	Blue 8	000 ⇔ 255	0–100%
93	Fine blue 8	000 ⇔ 255	Fine control (16-bit)
94	Dimmer 9	000 ⇔ 255	0–100%
95	Fine dimmer 9	000 ⇔ 255	Fine control (16-bit)
96	Red 9	000 ⇔ 255	0–100%
97	Fine red 9	000 ⇔ 255	Fine control (16-bit)
98	Green 9	000 ⇔ 255	0–100%
99	Fine green 9	000 ⇔ 255	Fine control (16-bit)
100	Blue 9	000 ⇔ 255	0–100%
101	Fine blue 9	000 ⇔ 255	Fine control (16-bit)
102	Dimmer 10	000 ⇔ 255	0–100%
103	Fine dimmer 10	000 ⇔ 255	Fine control (16-bit)
104	Red 10	000 ⇔ 255	0–100%
105	Fine red 10	000 ⇔ 255	Fine control (16-bit)
106	Green 10	000 ⇔ 255	0–100%
107	Fine green 10	000 ⇔ 255	Fine control (16-bit)
108	Blue 10	000 ⇔ 255	0–100%
109	Fine blue 10	000 ⇔ 255	Fine control (16-bit)
110	Dimmer 11	000 ⇔ 255	0–100%
111	Fine dimmer 11	000 ⇔ 255	Fine control (16-bit)
112	Red 11	000 ⇔ 255	0–100%
113	Fine red 11	000 ⇔ 255	Fine control (16-bit)
114	Green 11	000 ⇔ 255	0–100%
115	Fine green 11	000 ⇔ 255	Fine control (16-bit)
116	Blue 11	000 ⇔ 255	0–100%
117	Fine blue 11	000 ⇔ 255	Fine control (16-bit)
118	Dimmer 12	000 ⇔ 255	0–100%
119	Fine dimmer 12	000 ⇔ 255	Fine control (16-bit)
120	Red 12	000 ⇔ 255	0–100%
121	Fine red 12	000 ⇔ 255	Fine control (16-bit)
122	Green 12	000 ⇔ 255	0–100%
123	Fine green 12	000 ⇔ 255	Fine control (16-bit)
124	Blue 12	000 ⇔ 255	0–100%
125	Fine blue 12	000 ⇔ 255	Fine control (16-bit)
126	Center dimmer	000 ⇔ 255	0–100%
127	Center fine dimmer	000 ⇔ 255	Fine control (16-bit)
128	Center red	000 ⇔ 255	0–100%
129	Center fine red	000 ⇔ 255	Fine control (16-bit)
130	Center green	000 ⇔ 255	0–100%
131	Center fine green	000 ⇔ 255	Fine control (16-bit)
132	Center blue	000 ⇔ 255	0–100%
133	Center fine blue	000 ⇔ 255	Fine control (16-bit)
134	Center white	000 ⇔ 255	0–100%
135	Center fine white	000 ⇔ 255	Fine control (16-bit)

QUICK REFERENCE GUIDE



EN

111CH

Channel	Function	Value	Percent/Setting
1	Pan	000 ⇔ 255	0–100%
2	Fine pan	000 ⇔ 255	Fine control (16-bit)
3	Tilt	000 ⇔ 255	0–100%
4	Fine tilt	000 ⇔ 255	Fine control (16-bit)
5	Pan/tilt speed	000 ⇔ 255	Fast to slow
6	CTC	000	No function
		001 ⇔ 255	Color temperature, 19000–2700K
7	Ring preset color	000 ⇔ 004	No function
		005 ⇔ 174	Color 1–34 (see Preset Color Chart [no white])
		175 ⇔ 179	No function
		180 ⇔ 201	Color fade, fast to slow
		202 ⇔ 207	Stop
		208 ⇔ 229	Reverse color fade, fast to slow
		230 ⇔ 234	No function
		235 ⇔ 249	Color jump, fast to slow
8	Center preset color	000 ⇔ 004	No function
		005 ⇔ 174	Color 1–34 (see Preset Color Chart)
		175 ⇔ 179	No function
		180 ⇔ 201	Color fade, fast to slow
		202 ⇔ 207	Stop
		208 ⇔ 229	Reverse color fade, fast to slow
		230 ⇔ 234	No function
		235 ⇔ 249	Color jump, fast to slow
9	Pattern	000	No function
		001 ⇔ 255	Pattern 1–255

Channel	Function	Value	Percent/Setting
10	LED macro	000 ⇔ 005	No function
		006 ⇔ 010	LED macro 1
		011 ⇔ 015	LED macro 2
		016 ⇔ 020	LED macro 3
		021 ⇔ 025	LED macro 4
		026 ⇔ 030	LED macro 5
		031 ⇔ 035	LED macro 6
		036 ⇔ 040	LED macro 7
		041 ⇔ 045	LED macro 8
		046 ⇔ 050	LED macro 9
		051 ⇔ 055	LED macro 10
		056 ⇔ 060	LED macro 11
		061 ⇔ 065	LED macro 12
		066 ⇔ 070	LED macro 13
		071 ⇔ 075	LED macro 14
		076 ⇔ 080	LED macro 15
		081 ⇔ 085	LED macro 16
		086 ⇔ 090	LED macro 17
		091 ⇔ 095	LED macro 18
		096 ⇔ 100	LED macro 19
		101 ⇔ 105	LED macro 20
		106 ⇔ 110	LED macro 21
		111 ⇔ 115	LED macro 22
		116 ⇔ 120	LED macro 23
		121 ⇔ 125	LED macro 24
		126 ⇔ 130	LED macro 25
		131 ⇔ 135	LED macro 26
		136 ⇔ 140	LED macro 27
		141 ⇔ 145	LED macro 28
		146 ⇔ 150	LED macro 29
		151 ⇔ 155	LED macro 30
		156 ⇔ 160	LED macro 31
161 ⇔ 165	LED macro 32		
166 ⇔ 170	LED macro 33		
171 ⇔ 175	LED macro 34		
176 ⇔ 180	LED macro 35		
181 ⇔ 185	LED macro 36		
186 ⇔ 190	LED macro 37		
191 ⇔ 195	LED macro 38		
199 ⇔ 200	LED macro 39		
201 ⇔ 205	LED macro 40		
206 ⇔ 210	LED macro 41		
211 ⇔ 215	LED macro 42		
216 ⇔ 255	No function		
11	LED macro speed	000 ⇔ 127 128 129 ⇔ 255	LED macro speed, fast to slow Stop Reverse LED macro, slow to fast
12	LED macro delay	000 ⇔ 255	LED macro delay, fast to slow
13	Background color	000	No function
		001 ⇔ 239	Background colors (see Background Color Chart)
		240 ⇔ 247 248 ⇔ 255	Color fade, fast to slow Color jump, fast to slow
14	Background dimmer	000 ⇔ 255	0–100%
15	Bg. fine dimmer	000 ⇔ 255	Fine control (16-bit)
16	Ring dimmer	000 ⇔ 255	0–100%
17	Ring fine dimmer	000 ⇔ 255	Fine control (16-bit)
18	Center dimmer	000 ⇔ 255	0–100%

QUICK REFERENCE GUIDE



EN

Channel	Function	Value	Percent/Setting
19	Center fine dimmer	000 ⇔ 255	Fine control (16-bit)
20	Ring strobe	000 ⇔ 019	Off
		020 ⇔ 024	On
		025 ⇔ 069	Strobe, fast to slow
		070 ⇔ 089	Fading strobe 100–0%, fast to slow
		090 ⇔ 109	Fading strobe 0–100%, fast to slow
		110 ⇔ 129	Random strobe, fast to slow
		130 ⇔ 149	Random fading strobe 100–0%, fast to slow
		150 ⇔ 169	Random fading strobe 0–100%, fast to slow
		170 ⇔ 189	Pulse strobe, fast to slow
		190 ⇔ 209	Random pulse strobe, fast to slow
		210 ⇔ 229	Fading strobe 100–0–100%, fast to slow
		230 ⇔ 244	Random pulse strobe, fast to slow
245 ⇔ 255	On		
21	Center strobe	000 ⇔ 019	Off
		020 ⇔ 024	On
		025 ⇔ 069	Strobe, fast to slow
		070 ⇔ 089	Fading strobe 100–0%, fast to slow
		090 ⇔ 109	Fading strobe 0–100%, fast to slow
		110 ⇔ 129	Random strobe, fast to slow
		130 ⇔ 149	Random fading strobe 100–0%, fast to slow
		150 ⇔ 169	Random fading strobe 0–100%, fast to slow
		170 ⇔ 189	Pulse strobe, fast to slow
		190 ⇔ 209	Random pulse strobe, fast to slow
		210 ⇔ 229	Fading strobe 100–0–100%, fast to slow
		230 ⇔ 244	Random pulse strobe, fast to slow
245 ⇔ 255	On		
22	Zoom	000 ⇔ 255	Zoom in to zoom out
23	Control (*Activates in 5 seconds)	000 ⇔ 009	No function
		010 ⇔ 014	Blackout on pan/tilt
		015 ⇔ 029	Reserved for future use
		030 ⇔ 034	Synchronize ring and center LEDs*
		035 ⇔ 039	De-synchronize ring and center LEDs*
		040 ⇔ 044	Defrost fan on
		045 ⇔ 049	Defrost fan off
		050 ⇔ 054	Reset pan*
		055 ⇔ 059	Reset tilt*
		060 ⇔ 064	Reset zoom
		065 ⇔ 069	Reserved for future use
		070 ⇔ 074	Reset all*
		075 ⇔ 119	Reserved for future use
		120 ⇔ 124	Fan mode ECO*
		125 ⇔ 129	Fan mode Full*
		130 ⇔ 134	Fan mode Auto*
		135 ⇔ 139	Dimmer mode fast*
		140 ⇔ 144	Dimmer mode smooth*
		145 ⇔ 149	Linear dimmer curve
		150 ⇔ 154	Square dimmer curve
		155 ⇔ 159	Inverse square dimmer curve
		160 ⇔ 164	S-curve dimmer curve
		165 ⇔ 169	WHITE mode
		170 ⇔ 174	FULL mode
		175 ⇔ 179	Single-color calibration off
		180 ⇔ 184	Single-color calibration on
		185 ⇔ 239	No function
		240 ⇔ 247	Calibration on
		248 ⇔ 255	Calibration off

Channel	Function	Value	Percent/Setting
24	Red	000 ⇄ 255	0–100%
25	Fine red	000 ⇄ 255	Fine control (16-bit)
26	Green	000 ⇄ 255	0–100%
27	Fine green	000 ⇄ 255	Fine control (16-bit)
28	Blue	000 ⇄ 255	0–100%
29	Fine blue	000 ⇄ 255	Fine control (16-bit)
30	White	000 ⇄ 255	0–100%
31	Fine white	000 ⇄ 255	Fine control (16-bit)
32	Red 1	000 ⇄ 255	0–100%
33	Fine red 1	000 ⇄ 255	Fine control (16-bit)
34	Green 1	000 ⇄ 255	0–100%
35	Fine green 1	000 ⇄ 255	Fine control (16-bit)
36	Blue 1	000 ⇄ 255	0–100%
37	Fine blue 1	000 ⇄ 255	Fine control (16-bit)
38	Red 2	000 ⇄ 255	0–100%
39	Fine red 2	000 ⇄ 255	Fine control (16-bit)
40	Green 2	000 ⇄ 255	0–100%
41	Fine green 2	000 ⇄ 255	Fine control (16-bit)
42	Blue 2	000 ⇄ 255	0–100%
43	Fine blue 2	000 ⇄ 255	Fine control (16-bit)
44	Red 3	000 ⇄ 255	0–100%
45	Fine red 3	000 ⇄ 255	Fine control (16-bit)
46	Green 3	000 ⇄ 255	0–100%
47	Fine green 3	000 ⇄ 255	Fine control (16-bit)
48	Blue 3	000 ⇄ 255	0–100%
49	Fine blue 3	000 ⇄ 255	Fine control (16-bit)
50	Red 4	000 ⇄ 255	0–100%
51	Fine red 4	000 ⇄ 255	Fine control (16-bit)
52	Green 4	000 ⇄ 255	0–100%
53	Fine green 4	000 ⇄ 255	Fine control (16-bit)
54	Blue 4	000 ⇄ 255	0–100%
55	Fine blue 4	000 ⇄ 255	Fine control (16-bit)
56	Red 5	000 ⇄ 255	0–100%
57	Fine red 5	000 ⇄ 255	Fine control (16-bit)
58	Green 5	000 ⇄ 255	0–100%
59	Fine green 5	000 ⇄ 255	Fine control (16-bit)
60	Blue 5	000 ⇄ 255	0–100%
61	Fine blue 5	000 ⇄ 255	Fine control (16-bit)
62	Red 6	000 ⇄ 255	0–100%
63	Fine red 6	000 ⇄ 255	Fine control (16-bit)
64	Green 6	000 ⇄ 255	0–100%
65	Fine green 6	000 ⇄ 255	Fine control (16-bit)
66	Blue 6	000 ⇄ 255	0–100%
67	Fine blue 6	000 ⇄ 255	Fine control (16-bit)
68	Red 7	000 ⇄ 255	0–100%
69	Fine red 7	000 ⇄ 255	Fine control (16-bit)
70	Green 7	000 ⇄ 255	0–100%
71	Fine green 7	000 ⇄ 255	Fine control (16-bit)
72	Blue 7	000 ⇄ 255	0–100%
73	Fine blue 7	000 ⇄ 255	Fine control (16-bit)
74	Red 8	000 ⇄ 255	0–100%
75	Fine red 8	000 ⇄ 255	Fine control (16-bit)
76	Green 8	000 ⇄ 255	0–100%
77	Fine green 8	000 ⇄ 255	Fine control (16-bit)
78	Blue 8	000 ⇄ 255	0–100%
79	Fine blue 8	000 ⇄ 255	Fine control (16-bit)
80	Red 9	000 ⇄ 255	0–100%

QUICK REFERENCE GUIDE



EN

Channel	Function	Value	Percent/Setting
81	Fine red 9	000 ⇔ 255	Fine control (16-bit)
82	Green 9	000 ⇔ 255	0–100%
83	Fine green 9	000 ⇔ 255	Fine control (16-bit)
84	Blue 9	000 ⇔ 255	0–100%
85	Fine blue 9	000 ⇔ 255	Fine control (16-bit)
86	Red 10	000 ⇔ 255	0–100%
87	Fine red 10	000 ⇔ 255	Fine control (16-bit)
88	Green 10	000 ⇔ 255	0–100%
89	Fine green 10	000 ⇔ 255	Fine control (16-bit)
90	Blue 10	000 ⇔ 255	0–100%
91	Fine blue 10	000 ⇔ 255	Fine control (16-bit)
92	Red 11	000 ⇔ 255	0–100%
93	Fine red 11	000 ⇔ 255	Fine control (16-bit)
94	Green 11	000 ⇔ 255	0–100%
95	Fine green 11	000 ⇔ 255	Fine control (16-bit)
96	Blue 11	000 ⇔ 255	0–100%
97	Fine blue 11	000 ⇔ 255	Fine control (16-bit)
98	Red 12	000 ⇔ 255	0–100%
99	Fine red 12	000 ⇔ 255	Fine control (16-bit)
100	Green 12	000 ⇔ 255	0–100%
101	Fine green 12	000 ⇔ 255	Fine control (16-bit)
102	Blue 12	000 ⇔ 255	0–100%
103	Fine blue 12	000 ⇔ 255	Fine control (16-bit)
104	Center red	000 ⇔ 255	0–100%
105	Center fine red	000 ⇔ 255	Fine control (16-bit)
106	Center green	000 ⇔ 255	0–100%
107	Center fine green	000 ⇔ 255	Fine control (16-bit)
108	Center blue	000 ⇔ 255	0–100%
109	Center fine blue	000 ⇔ 255	Fine control (16-bit)
110	Center white	000 ⇔ 255	0–100%
111	Center fine white	000 ⇔ 255	Fine control (16-bit)

64CH

Channel	Function	Value	Percent/Setting
1	Pan	000 ⇔ 255	0–100%
2	Fine pan	000 ⇔ 255	Fine control (16-bit)
3	Tilt	000 ⇔ 255	0–100%
4	Fine tilt	000 ⇔ 255	Fine control (16-bit)
5	Pan/tilt speed	000 ⇔ 255	Fast to slow
6	CTC	000	No function
		001 ⇔ 255	Color temperature, 19000–2700K
7	Ring preset color	000 ⇔ 004	No function
		005 ⇔ 174	Color 1–34 (see Preset Color Chart [no white])
		175 ⇔ 179	No function
		180 ⇔ 201	Color fade, fast to slow
		202 ⇔ 207	Stop
		208 ⇔ 229	Reverse color fade, fast to slow
		230 ⇔ 234	No function
		235 ⇔ 249	Color jump, fast to slow
		250 ⇔ 255	No function

Channel	Function	Value	Percent/Setting
8	Center preset color	000 ⇔ 004	No function
		005 ⇔ 174	Color 1–34 (see Preset Color Chart)
		175 ⇔ 179	No function
		180 ⇔ 201	Color fade, fast to slow
		202 ⇔ 207	Stop
		208 ⇔ 229	Reverse color fade, fast to slow
		230 ⇔ 234	No function
		235 ⇔ 249	Color jump, fast to slow
		250 ⇔ 255	No function
9	Pattern	000	No function
		001 ⇔ 255	Pattern 1–255
10	LED macro	000 ⇔ 005	No function
		006 ⇔ 010	LED macro 1
		011 ⇔ 015	LED macro 2
		016 ⇔ 020	LED macro 3
		021 ⇔ 025	LED macro 4
		026 ⇔ 030	LED macro 5
		031 ⇔ 035	LED macro 6
		036 ⇔ 040	LED macro 7
		041 ⇔ 045	LED macro 8
		046 ⇔ 050	LED macro 9
		051 ⇔ 055	LED macro 10
		056 ⇔ 060	LED macro 11
		061 ⇔ 065	LED macro 12
		066 ⇔ 070	LED macro 13
		071 ⇔ 075	LED macro 14
		076 ⇔ 080	LED macro 15
		081 ⇔ 085	LED macro 16
		086 ⇔ 090	LED macro 17
		091 ⇔ 095	LED macro 18
		096 ⇔ 100	LED macro 19
		101 ⇔ 105	LED macro 20
		106 ⇔ 110	LED macro 21
		111 ⇔ 115	LED macro 22
		116 ⇔ 120	LED macro 23
		121 ⇔ 125	LED macro 24
		126 ⇔ 130	LED macro 25
		131 ⇔ 135	LED macro 26
		136 ⇔ 140	LED macro 27
		141 ⇔ 145	LED macro 28
		146 ⇔ 150	LED macro 29
		151 ⇔ 155	LED macro 30
		156 ⇔ 160	LED macro 31
		161 ⇔ 165	LED macro 32
		166 ⇔ 170	LED macro 33
		171 ⇔ 175	LED macro 34
		176 ⇔ 180	LED macro 35
181 ⇔ 185	LED macro 36		
186 ⇔ 190	LED macro 37		
191 ⇔ 195	LED macro 38		
199 ⇔ 200	LED macro 39		
201 ⇔ 205	LED macro 40		
206 ⇔ 210	LED macro 41		
211 ⇔ 215	LED macro 42		
216 ⇔ 255	No function		

QUICK REFERENCE GUIDE



EN

Channel	Function	Value	Percent/Setting
11	LED macro speed	000 ⇔ 127	LED macro speed, fast to slow
		128	Stop
		129 ⇔ 255	Reverse LED macro, slow to fast
12	LED macro delay	000 ⇔ 255	LED macro delay, fast to slow
13	Background color	000	No function
		001 ⇔ 239	Background colors (see Background Color Chart)
		240 ⇔ 247	Color fade, fast to slow
		248 ⇔ 255	Color jump, fast to slow
14	Background dimmer	000 ⇔ 255	0–100%
15	Ring dimmer	000 ⇔ 255	0–100%
16	Center dimmer	000 ⇔ 255	0–100%
17	Ring strobe	000 ⇔ 019	Off
		020 ⇔ 024	On
		025 ⇔ 069	Strobe, fast to slow
		070 ⇔ 089	Fading strobe 100–0%, fast to slow
		090 ⇔ 109	Fading strobe 0–100%, fast to slow
		110 ⇔ 129	Random strobe, fast to slow
		130 ⇔ 149	Random fading strobe 100–0%, fast to slow
		150 ⇔ 169	Random fading strobe 0–100%, fast to slow
		170 ⇔ 189	Pulse strobe, fast to slow
		190 ⇔ 209	Random pulse strobe, fast to slow
		210 ⇔ 229	Fading strobe 100–0–100%, fast to slow
		230 ⇔ 244	Random pulse strobe, fast to slow
		245 ⇔ 255	On
18	Center strobe	000 ⇔ 019	Off
		020 ⇔ 024	On
		025 ⇔ 069	Strobe, fast to slow
		070 ⇔ 089	Fading strobe 100–0%, fast to slow
		090 ⇔ 109	Fading strobe 0–100%, fast to slow
		110 ⇔ 129	Random strobe, fast to slow
		130 ⇔ 149	Random fading strobe 100–0%, fast to slow
		150 ⇔ 169	Random fading strobe 0–100%, fast to slow
		170 ⇔ 189	Pulse strobe, fast to slow
		190 ⇔ 209	Random pulse strobe, fast to slow
		210 ⇔ 229	Fading strobe 100–0–100%, fast to slow
		230 ⇔ 244	Random pulse strobe, fast to slow
		245 ⇔ 255	On
19	Zoom	000 ⇔ 255	Zoom in to zoom out

Channel	Function	Value	Percent/Setting
20	Control (*Activates in 5 seconds)	000 ⇔ 009	No function
		010 ⇔ 014	Blackout on pan/tilt
		015 ⇔ 029	Reserved for future use
		030 ⇔ 034	Synchronize ring and center LEDs*
		035 ⇔ 039	De-synchronize ring and center LEDs*
		040 ⇔ 044	Defrost fan on
		045 ⇔ 049	Defrost fan off
		050 ⇔ 054	Reset pan*
		055 ⇔ 059	Reset tilt*
		060 ⇔ 064	Reset zoom
		065 ⇔ 069	Reserved for future use
		050 ⇔ 074	Reset all*
		075 ⇔ 119	Reserved for future use
		120 ⇔ 124	Fan mode ECO*
		125 ⇔ 129	Fan mode Full*
		130 ⇔ 134	Fan mode Auto*
		135 ⇔ 139	Dimmer mode fast*
		140 ⇔ 144	Dimmer mode smooth*
		145 ⇔ 149	Linear dimmer curve
		150 ⇔ 154	Square dimmer curve
		155 ⇔ 159	Inverse square dimmer curve
		160 ⇔ 164	S-curve dimmer curve
		165 ⇔ 169	WHITE mode
170 ⇔ 174	FULL mode		
175 ⇔ 179	Single-color calibration off		
180 ⇔ 184	Single-color calibration on		
185 ⇔ 239	No function		
240 ⇔ 247	Calibration on		
248 ⇔ 255	Calibration off		
21	Red	000 ⇔ 255	0–100%
22	Green	000 ⇔ 255	0–100%
23	Blue	000 ⇔ 255	0–100%
24	White	000 ⇔ 255	0–100%
25	Red 1	000 ⇔ 255	0–100%
26	Green 1	000 ⇔ 255	0–100%
27	Blue 1	000 ⇔ 255	0–100%
28	Red 2	000 ⇔ 255	0–100%
29	Green 2	000 ⇔ 255	0–100%
30	Blue 2	000 ⇔ 255	0–100%
31	Red 3	000 ⇔ 255	0–100%
32	Green 3	000 ⇔ 255	0–100%
33	Blue 3	000 ⇔ 255	0–100%
34	Red 4	000 ⇔ 255	0–100%
35	Green 4	000 ⇔ 255	0–100%
36	Blue 4	000 ⇔ 255	0–100%
37	Red 5	000 ⇔ 255	0–100%
38	Green 5	000 ⇔ 255	0–100%
39	Blue 5	000 ⇔ 255	0–100%
40	Red 6	000 ⇔ 255	0–100%
41	Green 6	000 ⇔ 255	0–100%
42	Blue 6	000 ⇔ 255	0–100%
43	Red 7	000 ⇔ 255	0–100%
44	Green 7	000 ⇔ 255	0–100%
45	Blue 7	000 ⇔ 255	0–100%
46	Red 8	000 ⇔ 255	0–100%
47	Green 8	000 ⇔ 255	0–100%
48	Blue 8	000 ⇔ 255	0–100%

QUICK REFERENCE GUIDE



EN

Channel	Function	Value	Percent/Setting
49	Red 9	000 ⇔ 255	0–100%
50	Green 9	000 ⇔ 255	0–100%
51	Blue 9	000 ⇔ 255	0–100%
52	Red 10	000 ⇔ 255	0–100%
53	Green 10	000 ⇔ 255	0–100%
54	Blue 10	000 ⇔ 255	0–100%
55	Red 11	000 ⇔ 255	0–100%
56	Green 11	000 ⇔ 255	0–100%
57	Blue 11	000 ⇔ 255	0–100%
58	Red 12	000 ⇔ 255	0–100%
59	Green 12	000 ⇔ 255	0–100%
60	Blue 12	000 ⇔ 255	0–100%
61	Center red	000 ⇔ 255	0–100%
62	Center green	000 ⇔ 255	0–100%
63	Center blue	000 ⇔ 255	0–100%
64	Center white	000 ⇔ 255	0–100%

30CH

Channel	Function	Value	Percent/Setting
1	Pan	000 ⇔ 255	0–100%
2	Fine pan	000 ⇔ 255	Fine control (16-bit)
3	Tilt	000 ⇔ 255	0–100%
4	Fine tilt	000 ⇔ 255	Fine control (16-bit)
5	Pan/tilt speed	000 ⇔ 255	Fast to slow
6	CTC	000	No function
		001 ⇔ 255	Color temperature, 19000–2700K
7	Ring preset color	000 ⇔ 004	No function
		005 ⇔ 174	Color 1–34 (see Preset Color Chart [no white])
		175 ⇔ 179	No function
		180 ⇔ 201	Color fade, fast to slow
		202 ⇔ 207	Stop
		208 ⇔ 229	Reverse color fade, fast to slow
		230 ⇔ 234	No function
		235 ⇔ 249	Color jump, fast to slow
		250 ⇔ 255	No function
8	Center preset color	000 ⇔ 004	No function
		005 ⇔ 174	Color 1–34 (see Preset Color Chart)
		175 ⇔ 179	No function
		180 ⇔ 201	Color fade, fast to slow
		202 ⇔ 207	Stop
		208 ⇔ 229	Reverse color fade, fast to slow
		230 ⇔ 234	No function
		235 ⇔ 249	Color jump, fast to slow
9	Pattern	000	No function
		001 ⇔ 255	Pattern 1–255

Channel	Function	Value	Percent/Setting
10	LED macro	000 ⇔ 005	No function
		006 ⇔ 010	LED macro 1
		011 ⇔ 015	LED macro 2
		016 ⇔ 020	LED macro 3
		021 ⇔ 025	LED macro 4
		026 ⇔ 030	LED macro 5
		031 ⇔ 035	LED macro 6
		036 ⇔ 040	LED macro 7
		041 ⇔ 045	LED macro 8
		046 ⇔ 050	LED macro 9
		051 ⇔ 055	LED macro 10
		056 ⇔ 060	LED macro 11
		061 ⇔ 065	LED macro 12
		066 ⇔ 070	LED macro 13
		071 ⇔ 075	LED macro 14
		076 ⇔ 080	LED macro 15
		081 ⇔ 085	LED macro 16
		086 ⇔ 090	LED macro 17
		091 ⇔ 095	LED macro 18
		096 ⇔ 100	LED macro 19
		101 ⇔ 105	LED macro 20
		106 ⇔ 110	LED macro 21
		111 ⇔ 115	LED macro 22
		116 ⇔ 120	LED macro 23
		121 ⇔ 125	LED macro 24
		126 ⇔ 130	LED macro 25
		131 ⇔ 135	LED macro 26
		136 ⇔ 140	LED macro 27
		141 ⇔ 145	LED macro 28
		146 ⇔ 150	LED macro 29
		151 ⇔ 155	LED macro 30
		156 ⇔ 160	LED macro 31
161 ⇔ 165	LED macro 32		
166 ⇔ 170	LED macro 33		
171 ⇔ 175	LED macro 34		
176 ⇔ 180	LED macro 35		
181 ⇔ 185	LED macro 36		
186 ⇔ 190	LED macro 37		
191 ⇔ 195	LED macro 38		
199 ⇔ 200	LED macro 39		
201 ⇔ 205	LED macro 40		
206 ⇔ 210	LED macro 41		
211 ⇔ 215	LED macro 42		
216 ⇔ 255	No function		
11	LED macro speed	000 ⇔ 127 128 129 ⇔ 255	LED macro speed, fast to slow Stop Reverse LED macro, slow to fast
12	LED macro delay	000 ⇔ 255	LED macro delay, fast to slow
13	Background color	000	No function
		001 ⇔ 239	Background colors (see Background Color Chart)
		240 ⇔ 247 248 ⇔ 255	Color fade, fast to slow Color jump, fast to slow
14	Background dimmer	000 ⇔ 255	0–100%
15	Ring dimmer	000 ⇔ 255	0–100%
16	Ring fine dimmer	000 ⇔ 255	Fine control (16-bit)
17	Center dimmer	000 ⇔ 255	0–100%
18	Center fine dimmer	000 ⇔ 255	Fine control (16-bit)

QUICK REFERENCE GUIDE



EN

Channel	Function	Value	Percent/Setting
19	Ring strobe	000 ⇄ 019	Off
		020 ⇄ 024	On
		025 ⇄ 069	Strobe, fast to slow
		070 ⇄ 089	Fading strobe 100–0%, fast to slow
		090 ⇄ 109	Fading strobe 0–100%, fast to slow
		110 ⇄ 129	Random strobe, fast to slow
		130 ⇄ 149	Random fading strobe 100–0%, fast to slow
		150 ⇄ 169	Random fading strobe 0–100%, fast to slow
		170 ⇄ 189	Pulse strobe, fast to slow
		190 ⇄ 209	Random pulse strobe, fast to slow
		210 ⇄ 229	Fading strobe 100–0–100%, fast to slow
		230 ⇄ 244	Random pulse strobe, fast to slow
245 ⇄ 255	On		
20	Center strobe	000 ⇄ 019	Off
		020 ⇄ 024	On
		025 ⇄ 069	Strobe, fast to slow
		070 ⇄ 089	Fading strobe 100–0%, fast to slow
		090 ⇄ 109	Fading strobe 0–100%, fast to slow
		110 ⇄ 129	Random strobe, fast to slow
		130 ⇄ 149	Random fading strobe 100–0%, fast to slow
		150 ⇄ 169	Random fading strobe 0–100%, fast to slow
		170 ⇄ 189	Pulse strobe, fast to slow
		190 ⇄ 209	Random pulse strobe, fast to slow
		210 ⇄ 229	Fading strobe 100–0–100%, fast to slow
		230 ⇄ 244	Random pulse strobe, fast to slow
245 ⇄ 255	On		
21	Zoom	000 ⇄ 255	Zoom in to zoom out
22	Control (*Activates in 5 seconds)	000 ⇄ 009	No function
		010 ⇄ 014	Blackout on pan/tilt
		015 ⇄ 029	Reserved for future use
		030 ⇄ 034	Synchronize ring and center LEDs*
		035 ⇄ 039	De-synchronize ring and center LEDs*
		040 ⇄ 044	Defrost fan on
		045 ⇄ 049	Defrost fan off
		050 ⇄ 054	Reset pan*
		055 ⇄ 059	Reset tilt*
		060 ⇄ 064	Reset zoom
		065 ⇄ 069	Reserved for future use
		050 ⇄ 074	Reset all*
		075 ⇄ 119	Reserved for future use
		120 ⇄ 124	Fan mode ECO*
		125 ⇄ 129	Fan mode Full*
		130 ⇄ 134	Fan mode Auto*
		135 ⇄ 139	Dimmer mode fast*
		140 ⇄ 144	Dimmer mode smooth*
		145 ⇄ 149	Linear dimmer curve
		150 ⇄ 154	Square dimmer curve
		155 ⇄ 159	Inverse square dimmer curve
		160 ⇄ 164	S-curve dimmer curve
		165 ⇄ 169	WHITE mode
		170 ⇄ 174	FULL mode
		175 ⇄ 179	Single-color calibration off
		180 ⇄ 184	Single-color calibration on
		185 ⇄ 239	No function
		240 ⇄ 247	Calibration on
248 ⇄ 255	Calibration off		
23	Red	000 ⇄ 255	0–100%

Channel	Function	Value	Percent/Setting
24	Fine red	000 ⇔ 255	Fine control (16-bit)
25	Green	000 ⇔ 255	0–100%
26	Fine green	000 ⇔ 255	Fine control (16-bit)
27	Blue	000 ⇔ 255	0–100%
28	Fine blue	000 ⇔ 255	Fine control (16-bit)
29	White	000 ⇔ 255	0–100%
30	Fine white	000 ⇔ 255	Fine control (16-bit)

24CH

Channel	Function	Value	Percent/Setting
1	Pan	000 ⇔ 255	0–100%
2	Fine pan	000 ⇔ 255	Fine control (16-bit)
3	Tilt	000 ⇔ 255	0–100%
4	Fine tilt	000 ⇔ 255	Fine control (16-bit)
5	Pan/tilt speed	000 ⇔ 255	Fast to slow
6	CTC	000	No function
		001 ⇔ 255	Color temperature, 19000–2700K
7	Ring preset color	000 ⇔ 004	No function
		005 ⇔ 174	Color 1–34 (see Preset Color Chart [no white])
		175 ⇔ 179	No function
		180 ⇔ 201	Color fade, fast to slow
		202 ⇔ 207	Stop
		208 ⇔ 229	Reverse color fade, fast to slow
		230 ⇔ 234	No function
		235 ⇔ 249	Color jump, fast to slow
250 ⇔ 255	No function		
8	Center preset color	000 ⇔ 004	No function
		005 ⇔ 174	Color 1–34 (see Preset Color Chart)
		175 ⇔ 179	No function
		180 ⇔ 201	Color fade, fast to slow
		202 ⇔ 207	Stop
		208 ⇔ 229	Reverse color fade, fast to slow
		230 ⇔ 234	No function
		235 ⇔ 249	Color jump, fast to slow
250 ⇔ 255	No function		
9	Pattern	000	No function
		001 ⇔ 255	Pattern 1–255

QUICK REFERENCE GUIDE



EN

Channel	Function	Value	Percent/Setting
10	LED macro	000 ⇔ 005	No function
		006 ⇔ 010	LED macro 1
		011 ⇔ 015	LED macro 2
		016 ⇔ 020	LED macro 3
		021 ⇔ 025	LED macro 4
		026 ⇔ 030	LED macro 5
		031 ⇔ 035	LED macro 6
		036 ⇔ 040	LED macro 7
		041 ⇔ 045	LED macro 8
		046 ⇔ 050	LED macro 9
		051 ⇔ 055	LED macro 10
		056 ⇔ 060	LED macro 11
		061 ⇔ 065	LED macro 12
		066 ⇔ 070	LED macro 13
		071 ⇔ 075	LED macro 14
		076 ⇔ 080	LED macro 15
		081 ⇔ 085	LED macro 16
		086 ⇔ 090	LED macro 17
		091 ⇔ 095	LED macro 18
		096 ⇔ 100	LED macro 19
		101 ⇔ 105	LED macro 20
		106 ⇔ 110	LED macro 21
		111 ⇔ 115	LED macro 22
		116 ⇔ 120	LED macro 23
		121 ⇔ 125	LED macro 24
		126 ⇔ 130	LED macro 25
		131 ⇔ 135	LED macro 26
		136 ⇔ 140	LED macro 27
		141 ⇔ 145	LED macro 28
		146 ⇔ 150	LED macro 29
		151 ⇔ 155	LED macro 30
		156 ⇔ 160	LED macro 31
		161 ⇔ 165	LED macro 32
166 ⇔ 170	LED macro 33		
171 ⇔ 175	LED macro 34		
176 ⇔ 180	LED macro 35		
181 ⇔ 185	LED macro 36		
186 ⇔ 190	LED macro 37		
191 ⇔ 195	LED macro 38		
199 ⇔ 200	LED macro 39		
201 ⇔ 205	LED macro 40		
206 ⇔ 210	LED macro 41		
211 ⇔ 215	LED macro 42		
216 ⇔ 255	No function		
11	LED macro speed	000 ⇔ 127	LED macro speed, fast to slow
		128	Stop
		129 ⇔ 255	Reverse LED macro, slow to fast
12	LED macro delay	000 ⇔ 255	LED macro delay, fast to slow
13	Background color	000	No function
		001 ⇔ 239	Background colors (see Background Color Chart)
		240 ⇔ 247	Color fade, fast to slow
		248 ⇔ 255	Color jump, fast to slow
14	Background dimmer	000 ⇔ 255	0–100%
15	Ring dimmer	000 ⇔ 255	0–100%
16	Center dimmer	000 ⇔ 255	0–100%

Channel	Function	Value	Percent/Setting
17	Ring strobe	000 ⇄ 019	Off
		020 ⇄ 024	On
		025 ⇄ 069	Strobe, fast to slow
		070 ⇄ 089	Fading strobe 100–0%, fast to slow
		090 ⇄ 109	Fading strobe 0–100%, fast to slow
		110 ⇄ 129	Random strobe, fast to slow
		130 ⇄ 149	Random fading strobe 100–0%, fast to slow
		150 ⇄ 169	Random fading strobe 0–100%, fast to slow
		170 ⇄ 189	Pulse strobe, fast to slow
		190 ⇄ 209	Random pulse strobe, fast to slow
		210 ⇄ 229	Fading strobe 100–0–100%, fast to slow
		230 ⇄ 244	Random pulse strobe, fast to slow
		245 ⇄ 255	On
18	Center strobe	000 ⇄ 019	Off
		020 ⇄ 024	On
		025 ⇄ 069	Strobe, fast to slow
		070 ⇄ 089	Fading strobe 100–0%, fast to slow
		090 ⇄ 109	Fading strobe 0–100%, fast to slow
		110 ⇄ 129	Random strobe, fast to slow
		130 ⇄ 149	Random fading strobe 100–0%, fast to slow
		150 ⇄ 169	Random fading strobe 0–100%, fast to slow
		170 ⇄ 189	Pulse strobe, fast to slow
		190 ⇄ 209	Random pulse strobe, fast to slow
		210 ⇄ 229	Fading strobe 100–0–100%, fast to slow
		230 ⇄ 244	Random pulse strobe, fast to slow
		245 ⇄ 255	On
19	Zoom	000 ⇄ 255	Zoom in to zoom out
20	Control (*Activates in 5 seconds)	000 ⇄ 009	No function
		010 ⇄ 014	Blackout on pan/tilt
		015 ⇄ 029	Reserved for future use
		030 ⇄ 034	Synchronize ring and center LEDs*
		035 ⇄ 039	De-synchronize ring and center LEDs*
		040 ⇄ 044	Defrost fan on
		045 ⇄ 049	Defrost fan off
		050 ⇄ 054	Reset pan*
		055 ⇄ 059	Reset tilt*
		060 ⇄ 064	Reset zoom
		065 ⇄ 069	Reserved for future use
		070 ⇄ 074	Reset all*
		075 ⇄ 119	Reserved for future use
		120 ⇄ 124	Fan mode ECO*
		125 ⇄ 129	Fan mode Full*
		130 ⇄ 134	Fan mode Auto*
		135 ⇄ 139	Dimmer mode fast*
		140 ⇄ 144	Dimmer mode smooth*
		145 ⇄ 149	Linear dimmer curve
		150 ⇄ 154	Square dimmer curve
		155 ⇄ 159	Inverse square dimmer curve
		160 ⇄ 164	S-curve dimmer curve
		165 ⇄ 169	WHITE mode
170 ⇄ 174	FULL mode		
175 ⇄ 179	Single-color calibration off		
180 ⇄ 184	Single-color calibration on		
185 ⇄ 239	No function		
240 ⇄ 247	Calibration on		
248 ⇄ 255	Calibration off		
21	Red	000 ⇄ 255	0–100%
22	Green	000 ⇄ 255	0–100%
23	Blue	000 ⇄ 255	0–100%
24	White	000 ⇄ 255	0–100%

QUICK REFERENCE GUIDE



EN

15CH

Channel	Function	Value	Percent/Setting
1	Pan	000 ⇄ 255	0–100%
2	Fine pan	000 ⇄ 255	Fine control (16-bit)
3	Tilt	000 ⇄ 255	0–100%
4	Fine tilt	000 ⇄ 255	Fine control (16-bit)
5	Pan/tilt speed	000 ⇄ 255	Fast to slow
6	Dimmer	000 ⇄ 255	0–100%
7	Fine dimmer	000 ⇄ 255	Fine control (16-bit)
8	Strobe	000 ⇄ 019	Off
		020 ⇄ 024	On
		025 ⇄ 069	Strobe, fast to slow
		070 ⇄ 089	Fading strobe 100–0%, fast to slow
		090 ⇄ 109	Fading strobe 0–100%, fast to slow
		110 ⇄ 129	Random strobe, fast to slow
		130 ⇄ 149	Random fading strobe 100–0%, fast to slow
		150 ⇄ 169	Random fading strobe 0–100%, fast to slow
		170 ⇄ 189	Pulse strobe, fast to slow
		190 ⇄ 209	Random pulse strobe, fast to slow
		210 ⇄ 229	Fading strobe 100–0–100%, fast to slow
230 ⇄ 244	Random pulse strobe, fast to slow		
245 ⇄ 255	On		
9	Red	000 ⇄ 255	0–100%
10	Green	000 ⇄ 255	0–100%
11	Blue	000 ⇄ 255	0–100%
12	White	000 ⇄ 255	0–100%
13	Preset color	000 ⇄ 004	No function
		005 ⇄ 174	Color 1–34 (see Preset Color Chart)
		175 ⇄ 179	No function
		180 ⇄ 201	Color fade, fast to slow
		202 ⇄ 207	Stop
		208 ⇄ 229	Reverse color fade, fast to slow
		230 ⇄ 234	No function
		235 ⇄ 249	Color jump, fast to slow
250 ⇄ 255	No function		
14	Zoom	000 ⇄ 255	Zoom in to zoom out
15	Control (*Activates in 5 seconds)	000 ⇄ 009	No function
		010 ⇄ 014	Blackout on pan/tilt
		015 ⇄ 029	Reserved for future use
		030 ⇄ 034	Synchronize ring and center LEDs*
		035 ⇄ 039	De-synchronize ring and center LEDs*
		040 ⇄ 044	Defrost fan on
		045 ⇄ 049	Defrost fan off
		050 ⇄ 054	Reset pan*
		055 ⇄ 059	Reset tilt*
		060 ⇄ 064	Reset zoom
		065 ⇄ 069	Reserved for future use
		070 ⇄ 074	Reset all*
		075 ⇄ 119	Reserved for future use
		120 ⇄ 124	Fan mode ECO*
		125 ⇄ 129	Fan mode Full*
		130 ⇄ 134	Fan mode Auto*
		135 ⇄ 139	Dimmer mode fast*
		140 ⇄ 144	Dimmer mode smooth*
		145 ⇄ 149	Linear dimmer curve
		150 ⇄ 154	Square dimmer curve
		155 ⇄ 159	Inverse square dimmer curve
		160 ⇄ 164	S-curve dimmer curve
		165 ⇄ 169	WHITE mode
		170 ⇄ 174	FULL mode
		175 ⇄ 179	Single-color calibration off
		180 ⇄ 184	Single-color calibration on
		185 ⇄ 239	No function
240 ⇄ 247	Calibration on		
248 ⇄ 255	Calibration off		

Acerca de Esta Guía

La Guía de Referencia Rápida (GRR) del Rogue Outcast 1 Beam Wash contiene información básica sobre el producto, como montaje, opciones de menú y valores DMX. Descargue el Manual de Usuario de www.chauvetprofessional.com para información más detallada.

Exención de Responsabilidad

La información y especificaciones contenidas en esta GRR están sujetas a cambio sin previo aviso.

GARANTÍA LIMITADA

PARA VER EL REGISTRO DE GARANTÍA Y LOS TÉRMINOS Y CONDICIONES COMPLETOS, VISITE NUESTRO SITIO WEB.

Para clientes en los Estados Unidos y México: www.chauvetlighting.com/warranty-registration.

Para clientes en Reino Unido, República de Irlanda, Bélgica, Países Bajos, Luxemburgo, Francia y Alemania: www.chauvetlighting.eu/warranty-registration.

Chauvet garantiza que este producto estará libre de defectos de material y mano de obra en condiciones de uso normales, durante el periodo especificado, sujeto siempre a las exclusiones y limitaciones establecidas en la garantía limitada completa de nuestro sitio web. Esta garantía se concede únicamente al comprador original del producto y no es transferible. Para ejercer los derechos que otorga esta garantía, usted debe proporcionar una prueba de compra en forma de un recibo de compra original, expedido por un distribuidor autorizado, donde figure el nombre del producto y la fecha de compra. NO EXISTEN OTRAS GARANTÍAS EXPRESAS NI IMPLÍCITAS. Esta garantía le otorga derechos legales específicos. Es posible que a usted le asistan otros derechos, que variarán dependiendo del estado o del país. Esta garantía solamente es válida en los Estados Unidos, Reino Unido, República de Irlanda, Bélgica, Países Bajos, Luxemburgo, Francia, Alemania y México. Para conocer los términos de garantía en otros países, consulte a su distribuidor local.

Notas de Seguridad

- La luminaria debe colocarse de forma que no sea previsible que se mire fijamente hacia ella a una distancia menor de 18,04' (5,5 m).
- Si se daña el cable externo flexible de esta luminaria, se sustituirá con un cable especial o con un cable disponible exclusivamente a través del fabricante o de su agente de servicio técnico.
- Solo el fabricante, su agente de servicio o un técnico de similar cualificación podrán reemplazar la fuente de luz contenida en esta luminaria.
- La luminaria está destinada exclusivamente a un uso profesional.
- NO abra este producto. No contiene piezas reparables por el usuario.
- NO mire a la fuente de luz cuando el producto esté encendido.
- NO deje ningún material inflamable a menos de 50 cm de este producto mientras esté funcionando o conectado a la alimentación.
- NO ponga en funcionamiento este producto si sospecha que la carcasa, lentes o cables están dañados.
- NO conecte este producto a un atenuador o reostato.
- NO sumerja este producto (IP65). La operación temporal en exteriores es correcta.
- No apto para la instalación permanente en exteriores en lugares con condiciones ambientales extremas. Estas incluyen, sin limitarse a ellas:
 - Exposición a un ambiente marino/salino (a menos de 4,8 km de una masa de agua salada).
 - Cuando las temperaturas máxima o mínima habituales del lugar superan los rangos de temperatura en este manual.
 - Lugares proclives a inundaciones o a ser sepultados por la nieve.
 - Otras zonas en las que el producto esté expuesto a radiación extrema o sustancias cáusticas.
- CUIDADO: La carcasa de este producto está caliente cuando las luces están en funcionamiento.
- CUIDADO: Cuando transfiera el producto desde ambientes con temperatura extrema (p. ej., del remolque frío de un camión a una sala de baile con calor y humedad), puede formarse condensación en la electrónica interna del producto. Para evitar que se produzca una avería, deje que el producto se aclimate completamente al ambiente antes de conectar la alimentación.
- USE un cable de seguridad cuando monte este producto en lo alto.
- Conecte este producto SOLO a un circuito con toma de tierra y protegido.
- Use SOLAMENTE los soportes de colgar/montar para mover este producto.
- Para evitar un desgaste innecesario y alargar su vida útil, desconecte completamente el producto de la alimentación, mediante el interruptor o desenchufándolo, durante los periodos en los que no se use.
- Monte este producto en una ubicación con ventilación adecuada, al menos a 20" (50 cm) de superficies adyacentes.
- En caso de un problema grave de funcionamiento, deje de usarlo inmediatamente.
- La máxima temperatura ambiente es de 113 °F (45 °C). No haga funcionar este producto a temperaturas más altas.

Contacto

Fuera de EE. UU., Reino Unido, Irlanda, Benelux, Francia, Alemania o México póngase en contacto con su distribuidor para solicitar asistencia o devolver un producto. Consulte [Contact Us](#) al final de este GRR para información de contacto.

Qué va Incluido

- Rogue Outcast 1 Beam Wash
- Cable de alimentación Seetronic Powerkon IP65
- 2 soportes Omega con material de montaje
- Guía de Referencia Rápida

Corriente Alterna

Este producto tiene una fuente de alimentación con detección automática que puede funcionar con un rango de tensión de entrada de 100 a 240 VCA, 50/60 Hz.

Enchufe CA

Conexión	Cable (EE.UU.)	Cable (Europa)	Color del tornillo
CA Cargado	Negro	Marrón	Amarillo/Latón
CA Neutro	Blanco	Azul	Plata
CA Tierra	Verde/Amarillo	Verde/Amarillo	Verde

Alimentación en cadena

Puede enlazar hasta 3 productos Rogue Outcast 1 Beam Wash a 100 V, 4 productos a 120 V, 7 productos a 208 V, 7 productos a 230 V o 8 productos a 240 V. Los cables de alimentación en cadena se pueden adquirir por separado.



Para evitar un desgaste innecesario y alargar su vida útil, desconecte completamente el producto de la alimentación, mediante el interruptor o desenchufándolo, durante los periodos en los que no se use.

Sustitución del Fusible

1. Desconecte este producto de la alimentación.
2. Utilizando un destornillador plano, desatornille la tapa del portafusibles de la carcasa.
3. Quite el fusible fundido del portafusibles y sustitúyalo con uno nuevo del mismo tipo y categoría.
4. Vuelva a atornillar la tapa del portafusibles en su sitio y conecte de nuevo la alimentación.

Enlace DMX

El Rogue Outcast 1 Beam Wash funcionará con un controlador DMX usando una conexión serie DMX de 5 pines. Hay un Manual DMX disponible en www.chauvetprofessional.com.

Conexión DMX

El Rogue Outcast 1 Beam Wash usa una conexión de datos DMX normal para sus personalidades: **15Ch, 24Ch, 30Ch, 64Ch, 111Ch y 135Ch**. Vea el Manual de Usuario para conectar y configurar para funcionamiento DMX.

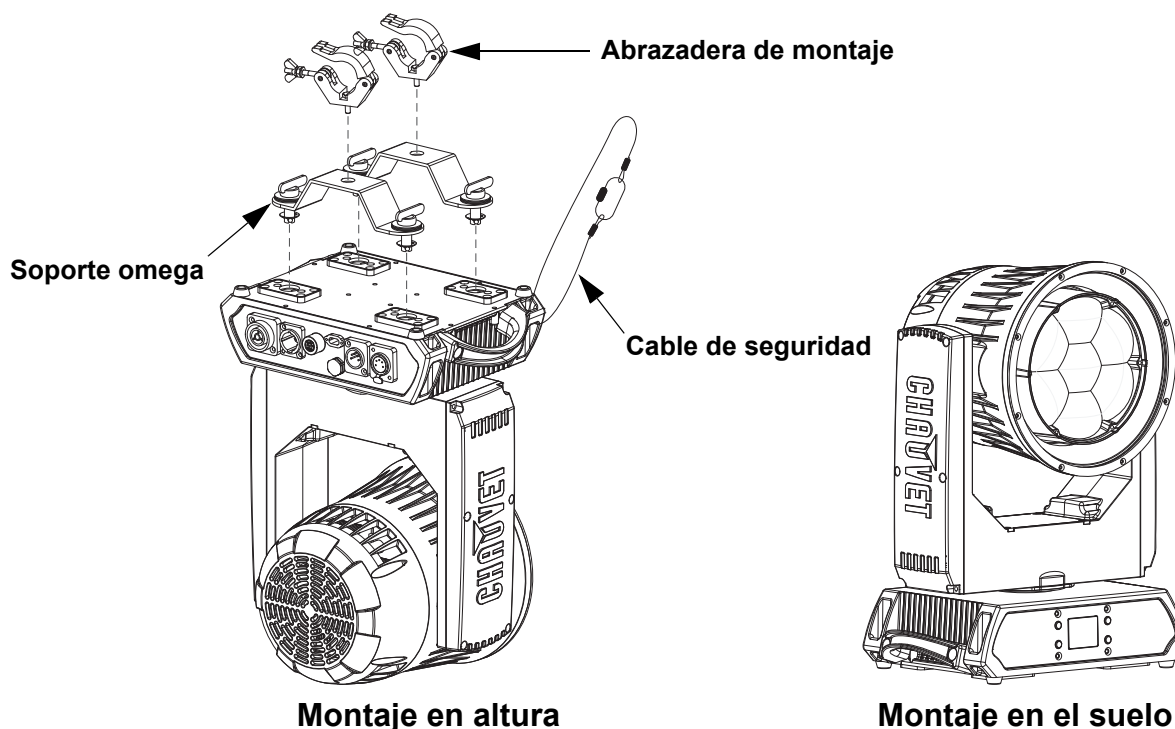
RDM (gestión remota del dispositivo)

Remote Device Management (gestión remota del dispositivo) o RDM, es un estándar que permite a los dispositivos con capacidad DMX una comunicación bidireccional por un cableado DMX existente. El Rogue Outcast 1 Beam Wash admite protocolo RDM, que posibilita información para supervisar cambiar las opciones del mapa de menú. Descargue el manual de usuario de www.chauvetprofessional.com para una información más detallada.

Montaje

Antes de montar este producto, lea las [Notas de Seguridad](#). Utilice al menos dos puntos de montaje por producto. Asegúrese de que las abrazaderas de montaje son capaces de soportar el peso del producto. Para nuestra línea Chauvet de abrazaderas de montaje, visite <http://trusst.com/productcategory/truss-clamps/>.

Diagrama de Montaje del Producto



Descripción del Panel de Control

Botón	Función
<MENU>	Sale del menú o función actual
<ENTER>	Habilita el menú seleccionado o configura el valor seleccionado dentro de la función seleccionada
<UP>	Navega hacia arriba por la lista de menú o aumenta el valor numérico cuando está en una función
<DOWN>	Navega hacia abajo por la lista de menú o disminuye el valor numérico cuando está en una función

Mapa de Menú

Consulte la página del producto Rogue Outcast 1 Beam Wash en www.chauvetprofessional.com para ver el último mapa de menú.

Nivel principal	Niveles de Programación		Descripción
Address	001–497		Configura la dirección de inicio
	DMX	15CH	Selecciona el personalidad DMX
		24CH	
		30CH	
		64CH	
		111CH	
		135CH	
	Auto Test		Prueba automática de todas las funciones
Run Mode	Manual Test	Pan	0–255 Controlar y probar todas las funciones a través del panel de control
		Tilt	
		Dimmer	
		Shutter	
		Red 1	
		Green 1	
		Blue 1	
		Red 2	
		Green 2	
		Blue 2	
		Red 3	
		Green 3	
		Blue 3	
		Red 4	
		Green 4	
		Blue 4	
		Red 5	
		Green 5	
		Blue 5	
		Red 6	
		Green 6	
		Blue 6	
		Red 7	
		Green 7	
		Blue 7	
		Red 8	
		Green 8	
		Blue 8	
		Red 9	
		Green 9	
		Blue 9	
		Red 10	
		Green 10	
		Blue 10	
Red 11			
Green 11			
Blue 11			
Red 12			
Green 12			
Blue 12			
Red 13			
Green 13			
Blue 13			
White 13			
Zoom			

Nivel principal	Niveles de Programación		Descripción
Setup	Pan Reverse	OFF	Desplazamiento lateral normal
		ON	Desplazamiento lateral inversa
	Tilt Reverse	OFF	Inclinación normal
		ON	Inclinación inversa
	Pan Angle	540	Rango de desplazamiento lateral: 540°
		360	Rango de desplazamiento lateral: 360°
		180	Rango de desplazamiento lateral: 180°
	Tilt Angle	260	Rango de inclinación: 260°
		180	Rango de inclinación: 180°
		90	Rango de inclinación: 90°
	Fans	Auto	Velocidad según la temperatura del producto
		Full	Velocidad del ventilador siempre alta
		ECO	Modo silencioso
	Display	OFF	La pantalla se apaga
		ON	La pantalla permanece encendida
	Screen Rev	OFF	Pantalla normal
		ON	Pantalla inversa
	Dimmer Curve	Linear	Configura la curva del atenuador
		Square	
		I Squa	
		SCurve	
	Dimmer Speed	Smooth	Configura la velocidad del atenuador
		Fast	
	PWM Option	600Hz	Selecciona la frecuencia de emisión PWM
		1200Hz	
		2000Hz	
		4000Hz	
		6000Hz	
	LED R POWER	050-100	Establece la potencia de los LED rojos
		050-100	
050-100			
050-100			
050-100			
LED G POWER	050-100	Establece la potencia de los LED verdes	
	050-100		
	050-100		
	050-100		
	050-100		
LED B POWER	050-100	Establece la potencia de los LED azules	
	050-100		
	050-100		
	050-100		
	050-100		
LED W POWER	050-100	Establece la potencia de los LED blancos	
	050-100		
	050-100		
	050-100		
	050-100		
White Mode	On	Utiliza la configuración de blanco predeterminada de fábrica	
	Off		
	RED		000-255
	GREEN		
	BLUE		
WHITE			
Color Calibration	On	Utiliza los valores máximos de salida	
	Off		
	RED		100-255
	GREEN		
	BLUE		
BLUE			
USB Update	NO	Habilita/deshabilita la actualización por USB	
	YES		
Reset Function	Pan/Tilt	NO/YES	
	Zoom		
	All		
Factory Settings	YES	Restablece el dispositivo a la configuración de fábrica	
	NO		

Nivel principal	Niveles de Programación		Descripción
Sys Info	Ver	V_ _ _	Muestra la versión de firmware
	Running Mode	_ _ _	Muestra el modo de ejecución actual
	DMX Address	_ _ _	Muestra la dirección de inicio actual
	Temperature	_ _ C	Muestra la temperatura del producto en °C
	Fixture Time	_ _ _ _	Muestra el número de horas que el producto ha estado encendido
	UID	_ _ _ _ _ _ _ _	Muestra el UID del producto
	Head Fan1-6	_ _ _ _ _	Muestra la velocidad de los ventiladores en rpm

Valores DMX

Carta de colores preestablecida

Valor DMX	Función	Valor rojo	Valor verde	Valor azul	Valor blanco
005 ⇄ 009	Color 1	000	000	000	255
010 ⇄ 014	Color 2	255	235	053	000
015 ⇄ 019	Color 3	214	134	048	000
020 ⇄ 024	Color 4	255	000	044	000
025 ⇄ 029	Color 5	255	059	113	000
030 ⇄ 034	Color 6	255	138	219	000
035 ⇄ 039	Color 7	226	175	226	000
040 ⇄ 044	Color 8	040	001	255	000
045 ⇄ 049	Color 9	000	000	255	000
050 ⇄ 054	Color 10	000	078	255	000
055 ⇄ 059	Color 11	000	199	255	000
060 ⇄ 064	Color 12	000	255	234	000
065 ⇄ 069	Color 13	149	246	255	000
070 ⇄ 074	Color 14	137	255	227	000
075 ⇄ 079	Color 15	213	220	222	000
080 ⇄ 084	Color 16	219	232	175	000
085 ⇄ 089	Color 17	205	255	199	000
090 ⇄ 094	Color 18	115	255	163	000
095 ⇄ 099	Color 19	006	255	143	000
100 ⇄ 104	Color 20	000	255	094	000
105 ⇄ 109	Color 21	029	255	000	000
110 ⇄ 114	Color 22	032	223	000	000
115 ⇄ 119	Color 23	075	255	000	000
120 ⇄ 124	Color 24	080	232	000	000
125 ⇄ 129	Color 25	108	226	000	000
130 ⇄ 134	Color 26	145	194	000	000
135 ⇄ 139	Color 27	210	255	000	000
140 ⇄ 144	Color 28	225	232	000	000
145 ⇄ 149	Color 29	023	215	000	000
150 ⇄ 154	Color 30	247	214	000	000
155 ⇄ 159	Color 31	255	163	000	000
160 ⇄ 164	Color 32	255	152	000	000
165 ⇄ 169	Color 33	255	108	000	000
170 ⇄ 174	Color 34	255	255	255	255

Carta de colores de fondo

Valor DMX	Función	Valor rojo	Valor verde	Valor azul	Valor blanco
001 ⇔ 002	Blanco 2700K	156	118	000	063
003 ⇔ 004	Blanco 3200K	156	141	005	089
005 ⇔ 006	Blanco 4200K	156	141	014	255
007 ⇔ 008	Blanco 5600K	156	207	054	255
009 ⇔ 010	Blanco 8000K	130	255	096	255
011	Azul	000	000	255	000
012 ⇔ 048	Verde aumenta	000	001–254	255	000
049	Cian	000	255	255	000
050 ⇔ 086	Azul disminuye	000	255	254–001	000
87	Verde	000	255	000	000
088 ⇔ 124	Rojo aumenta	001–254	255	000	000
125	Amarillo	255	255	000	000
126 ⇔ 162	Verde disminuye	255	254–001	000	000
163	Rojo	255	000	000	000
164 ⇔ 200	Azul aumenta	255	000	001–254	000
201	Magenta	255	000	255	000
202 ⇔ 238	Rojo disminuye	254–001	000	255	000
239	Azul	000	000	255	000

135CH

Canal	Función	Valor	Porcentaje/Configuración
1	Pan	000 ⇔ 255	Desplazamiento lateral 0–100%
2	Pan fino	000 ⇔ 255	Control fino (16 bits)
3	Inclinación	000 ⇔ 255	0–100%
4	Inclinación fino	000 ⇔ 255	Control fino (16 bits)
5	Velocidad de pan/inclina	000 ⇔ 255	Rápido a lento
6	CTC	000	Sin función
		001 ⇔ 255	Temperatura de color, 19000–2700K
7	Color preestablecida de anillo	000 ⇔ 004	Sin función
		005 ⇔ 174	Color 1–34 (ver Carta de colores preestablecida [sin blanco])
		175 ⇔ 179	Sin función
		180 ⇔ 201	Desvanecimiento de color, rápido a lento
		202 ⇔ 207	Para
		208 ⇔ 229	Desvanecimiento de color inverso, rápido a lento
		230 ⇔ 234	Sin función
		235 ⇔ 249	Salta de color, rápido a lento
250 ⇔ 255	Sin función		
8	Color preestablecida de centro	000 ⇔ 004	Sin función
		005 ⇔ 174	Color 1–34 (ver Carta de colores preestablecida)
		175 ⇔ 179	Sin función
		180 ⇔ 201	Desvanecimiento de color, rápido a lento
		202 ⇔ 207	Para
		208 ⇔ 229	Desvanecimiento de color inverso, rápido a lento
		230 ⇔ 234	Sin función
		235 ⇔ 249	Salta de color, rápido a lento
250 ⇔ 255	Sin función		
9	Patrón	000	Sin función
		001 ⇔ 255	Patrón 1–255

Canal	Función	Valor	Porcentaje/Configuración
10	Macro LED	000 ⇔ 005	Sin función
		006 ⇔ 010	Macro LED 1
		011 ⇔ 015	Macro LED 2
		016 ⇔ 020	Macro LED 3
		021 ⇔ 025	Macro LED 4
		026 ⇔ 030	Macro LED 5
		031 ⇔ 035	Macro LED 6
		036 ⇔ 040	Macro LED 7
		041 ⇔ 045	Macro LED 8
		046 ⇔ 050	Macro LED 9
		051 ⇔ 055	Macro LED 10
		056 ⇔ 060	Macro LED 11
		061 ⇔ 065	Macro LED 12
		066 ⇔ 070	Macro LED 13
		071 ⇔ 075	Macro LED 14
		076 ⇔ 080	Macro LED 15
		081 ⇔ 085	Macro LED 16
		086 ⇔ 090	Macro LED 17
		091 ⇔ 095	Macro LED 18
		096 ⇔ 100	Macro LED 19
		101 ⇔ 105	Macro LED 20
		106 ⇔ 110	Macro LED 21
		111 ⇔ 115	Macro LED 22
		116 ⇔ 120	Macro LED 23
		121 ⇔ 125	Macro LED 24
		126 ⇔ 130	Macro LED 25
		131 ⇔ 135	Macro LED 26
		136 ⇔ 140	Macro LED 27
		141 ⇔ 145	Macro LED 28
		146 ⇔ 150	Macro LED 29
		151 ⇔ 155	Macro LED 30
		156 ⇔ 160	Macro LED 31
		161 ⇔ 165	Macro LED 32
166 ⇔ 170	Macro LED 33		
171 ⇔ 175	Macro LED 34		
176 ⇔ 180	Macro LED 35		
181 ⇔ 185	Macro LED 36		
186 ⇔ 190	Macro LED 37		
191 ⇔ 195	Macro LED 38		
199 ⇔ 200	Macro LED 39		
201 ⇔ 205	Macro LED 40		
206 ⇔ 210	Macro LED 41		
211 ⇔ 215	Macro LED 42		
216 ⇔ 255	Sin función		
11	Velocidad de macro LED	000 ⇔ 127 128 129 ⇔ 255	Velocidad de macro LED, rápido a lento Para Macro LED inverso, lento a rápido
12	Retrasar de macro LED	000 ⇔ 255	Retrasar de macro LED, rápido a lento
13	Color de fondo	000	Sin función
		001 ⇔ 239	Colores de fondo (ver Carta de colores de fondo)
		240 ⇔ 247 248 ⇔ 255	Desvanecimiento de color, rápido a lento Salta de color, rápido a lento
14	Atenuador de fondo	000 ⇔ 255	0–100%
15	Atenuador fino de fondo	000 ⇔ 255	Control fino (16 bits)
16	Atenuador maestro	000 ⇔ 255	0–100%
17	Atenuador maestro fino	000 ⇔ 255	Control fino (16 bits)

Canal	Función	Valor	Porcentaje/Configuración
18	Estroboscopio de anillo	000 ⇔ 019	Apagado
		020 ⇔ 024	Encendido
		025 ⇔ 069	Estroboscopio, rápido a lento
		070 ⇔ 089	Estroboscopio que se desvanece 100–0%, rápido a lento
		090 ⇔ 109	Estroboscopio que se desvanece 0–100%, rápido a lento
		110 ⇔ 129	Estroboscopio aleatorio, rápido a lento
		130 ⇔ 149	Estroboscopio aleatorio que se desvanece 100–0%, rápido a lento
		150 ⇔ 169	Estroboscopio aleatorio que se desvanece 0–100%, rápido a lento
		170 ⇔ 189	Estroboscopio pulsante, rápido a lento
		190 ⇔ 209	Estroboscopio aleatorio pulsante, rápido a lento
		210 ⇔ 229	Estroboscopio que se desvanece 100–0–100%, rápido a lento
		230 ⇔ 244	Estroboscopio aleatorio pulsante, rápido a lento
		245 ⇔ 255	Encendido
19	Estroboscopio de centro	000 ⇔ 019	Apagado
		020 ⇔ 024	Encendido
		025 ⇔ 069	Estroboscopio, rápido a lento
		070 ⇔ 089	Estroboscopio que se desvanece 100–0%, rápido a lento
		090 ⇔ 109	Estroboscopio que se desvanece 0–100%, rápido a lento
		110 ⇔ 129	Estroboscopio aleatorio, rápido a lento
		130 ⇔ 149	Estroboscopio aleatorio que se desvanece 100–0%, rápido a lento
		150 ⇔ 169	Estroboscopio aleatorio que se desvanece 0–100%, rápido a lento
		170 ⇔ 189	Estroboscopio pulsante, rápido a lento
		190 ⇔ 209	Estroboscopio aleatorio pulsante, rápido a lento
		210 ⇔ 229	Estroboscopio que se desvanece 100–0–100%, rápido a lento
		230 ⇔ 244	Estroboscopio aleatorio pulsante, rápido a lento
		245 ⇔ 255	Encendido
20	Zoom	000 ⇔ 255	Acercar a alejar
21	Control (*Activa en 5 segundos)	000 ⇔ 009	Sin función
		010 ⇔ 014	Oscuro en pan/inclinación
		015 ⇔ 029	Reservado para uso futuro
		030 ⇔ 034	Sincronizar los LED anillo y centro*
		035 ⇔ 039	Desincronizar los LED anillo y centro*
		040 ⇔ 044	Ventilador de descongelación encendido
		045 ⇔ 049	Ventilador de descongelación apagado
		050 ⇔ 054	Restablecer pan*
		055 ⇔ 059	Restablecer inclinación*
		060 ⇔ 064	Restablecer zoom
		065 ⇔ 069	Reservado para uso futuro
		070 ⇔ 074	Restablecer todos*
		075 ⇔ 119	Reservado para uso futuro
		120 ⇔ 124	Modo de ventilador ECO*
		125 ⇔ 129	Modo de ventilador Full*
		130 ⇔ 134	Modo de ventilador Auto*
		135 ⇔ 139	Modo de atenuador rápido*
		140 ⇔ 144	Modo de atenuador suave*
		145 ⇔ 149	Curva de atenuador lineal
		150 ⇔ 154	Curva de atenuador cuadrado
		155 ⇔ 159	Curva de atenuador cuadrado inversa
		160 ⇔ 164	Curva de atenuador curva-S
		165 ⇔ 169	Modo BLANCO
		170 ⇔ 174	Modo MÁXIMO
		175 ⇔ 179	Calibración de un solo color apagado
		180 ⇔ 184	Calibración de un solo color encendido
		185 ⇔ 239	Sin función
		240 ⇔ 247	Calibración encendido
		248 ⇔ 255	Calibración apagado
		22	Rojo

Canal	Función	Valor	Porcentaje/Configuración
23	Rojo fino	000 ⇔ 255	Control fino (16 bits)
24	Verde	000 ⇔ 255	0–100%
25	Verde fino	000 ⇔ 255	Control fino (16 bits)
26	Azul	000 ⇔ 255	0–100%
27	Azul fino	000 ⇔ 255	Control fino (16 bits)
28	Blanco	000 ⇔ 255	0–100%
29	Blanco fino	000 ⇔ 255	Control fino (16 bits)
30	Atenuador 1	000 ⇔ 255	0–100%
31	Atenuador fino 1	000 ⇔ 255	Control fino (16 bits)
32	Rojo 1	000 ⇔ 255	0–100%
33	Rojo fino 1	000 ⇔ 255	Control fino (16 bits)
34	Verde 1	000 ⇔ 255	0–100%
35	Verde fino 1	000 ⇔ 255	Control fino (16 bits)
36	Azul 1	000 ⇔ 255	0–100%
37	Azul fino 1	000 ⇔ 255	Control fino (16 bits)
38	Atenuador 2	000 ⇔ 255	0–100%
39	Atenuador fino 2	000 ⇔ 255	Control fino (16 bits)
40	Rojo 2	000 ⇔ 255	0–100%
41	Rojo fino 2	000 ⇔ 255	Control fino (16 bits)
42	Verde 2	000 ⇔ 255	0–100%
43	Verde fino 2	000 ⇔ 255	Control fino (16 bits)
44	Azul 2	000 ⇔ 255	0–100%
45	Azul fino 2	000 ⇔ 255	Control fino (16 bits)
46	Atenuador 3	000 ⇔ 255	0–100%
47	Atenuador fino 3	000 ⇔ 255	Control fino (16 bits)
48	Rojo 3	000 ⇔ 255	0–100%
49	Rojo fino 3	000 ⇔ 255	Control fino (16 bits)
50	Verde 3	000 ⇔ 255	0–100%
51	Verde fino 3	000 ⇔ 255	Control fino (16 bits)
52	Azul 3	000 ⇔ 255	0–100%
53	Azul fino 3	000 ⇔ 255	Control fino (16 bits)
54	Atenuador 4	000 ⇔ 255	0–100%
55	Atenuador fino 4	000 ⇔ 255	Control fino (16 bits)
56	Rojo 4	000 ⇔ 255	0–100%
57	Rojo fino 4	000 ⇔ 255	Control fino (16 bits)
58	Verde 4	000 ⇔ 255	0–100%
59	Verde fino 4	000 ⇔ 255	Control fino (16 bits)
60	Azul 4	000 ⇔ 255	0–100%
61	Azul fino 4	000 ⇔ 255	Control fino (16 bits)
62	Atenuador 5	000 ⇔ 255	0–100%
63	Atenuador fino 5	000 ⇔ 255	Control fino (16 bits)
64	Rojo 5	000 ⇔ 255	0–100%
65	Rojo fino 5	000 ⇔ 255	Control fino (16 bits)
66	Verde 5	000 ⇔ 255	0–100%
67	Verde fino 5	000 ⇔ 255	Control fino (16 bits)
68	Azul 5	000 ⇔ 255	0–100%
69	Azul fino 5	000 ⇔ 255	Control fino (16 bits)
70	Atenuador 6	000 ⇔ 255	0–100%
71	Atenuador fino 6	000 ⇔ 255	Control fino (16 bits)
72	Rojo 6	000 ⇔ 255	0–100%
73	Rojo fino 6	000 ⇔ 255	Control fino (16 bits)
74	Verde 6	000 ⇔ 255	0–100%
75	Verde fino 6	000 ⇔ 255	Control fino (16 bits)
76	Azul 6	000 ⇔ 255	0–100%
77	Azul fino 6	000 ⇔ 255	Control fino (16 bits)
78	Atenuador 7	000 ⇔ 255	0–100%
79	Atenuador fino 7	000 ⇔ 255	Control fino (16 bits)

Canal	Función	Valor	Porcentaje/Configuración
80	Rojo 7	000 ⇔ 255	0–100%
81	Rojo fino 7	000 ⇔ 255	Control fino (16 bits)
82	Verde 7	000 ⇔ 255	0–100%
83	Verde fino 7	000 ⇔ 255	Control fino (16 bits)
84	Azul 7	000 ⇔ 255	0–100%
85	Azul fino 7	000 ⇔ 255	Control fino (16 bits)
86	Atenuador 8	000 ⇔ 255	0–100%
87	Atenuador fino 8	000 ⇔ 255	Control fino (16 bits)
88	Rojo 8	000 ⇔ 255	0–100%
89	Rojo fino 8	000 ⇔ 255	Control fino (16 bits)
90	Verde 8	000 ⇔ 255	0–100%
91	Verde fino 8	000 ⇔ 255	Control fino (16 bits)
92	Azul 8	000 ⇔ 255	0–100%
93	Azul fino 8	000 ⇔ 255	Control fino (16 bits)
94	Atenuador 9	000 ⇔ 255	0–100%
95	Atenuador fino 9	000 ⇔ 255	Control fino (16 bits)
96	Rojo 9	000 ⇔ 255	0–100%
97	Rojo fino 9	000 ⇔ 255	Control fino (16 bits)
98	Verde 9	000 ⇔ 255	0–100%
99	Verde fino 9	000 ⇔ 255	Control fino (16 bits)
100	Azul 9	000 ⇔ 255	0–100%
101	Azul fino 9	000 ⇔ 255	Control fino (16 bits)
102	Atenuador 10	000 ⇔ 255	0–100%
103	Atenuador fino 10	000 ⇔ 255	Control fino (16 bits)
104	Rojo 10	000 ⇔ 255	0–100%
105	Rojo fino 10	000 ⇔ 255	Control fino (16 bits)
106	Verde 10	000 ⇔ 255	0–100%
107	Verde fino 10	000 ⇔ 255	Control fino (16 bits)
108	Azul 10	000 ⇔ 255	0–100%
109	Azul fino 10	000 ⇔ 255	Control fino (16 bits)
110	Atenuador 11	000 ⇔ 255	0–100%
111	Atenuador fino 11	000 ⇔ 255	Control fino (16 bits)
112	Rojo 11	000 ⇔ 255	0–100%
113	Rojo fino 11	000 ⇔ 255	Control fino (16 bits)
114	Verde 11	000 ⇔ 255	0–100%
115	Verde fino 11	000 ⇔ 255	Control fino (16 bits)
116	Azul 11	000 ⇔ 255	0–100%
117	Azul fino 11	000 ⇔ 255	Control fino (16 bits)
118	Atenuador 12	000 ⇔ 255	0–100%
119	Atenuador fino 12	000 ⇔ 255	Control fino (16 bits)
120	Rojo 12	000 ⇔ 255	0–100%
121	Rojo fino 12	000 ⇔ 255	Control fino (16 bits)
122	Verde 12	000 ⇔ 255	0–100%
123	Verde fino 12	000 ⇔ 255	Control fino (16 bits)
124	Azul 12	000 ⇔ 255	0–100%
125	Azul fino 12	000 ⇔ 255	Control fino (16 bits)
126	Atenuador de centro	000 ⇔ 255	0–100%
127	Atenuador fino de centro	000 ⇔ 255	Control fino (16 bits)
128	Rojo de centro	000 ⇔ 255	0–100%
129	Rojo fino de centro	000 ⇔ 255	Control fino (16 bits)
130	Verde de centro	000 ⇔ 255	0–100%
131	Verde fino de centro	000 ⇔ 255	Control fino (16 bits)
132	Azul de centro	000 ⇔ 255	0–100%
133	Azul fino de centro	000 ⇔ 255	Control fino (16 bits)
134	Blanco de centro	000 ⇔ 255	0–100%
135	Blanco fino de centro	000 ⇔ 255	Control fino (16 bits)

111CH

Canal	Función	Valor	Porcentaje/Configuración
1	Pan	000 ⇔ 255	Desplazamiento lateral 0–100%
2	Pan fino	000 ⇔ 255	Control fino (16 bits)
3	Inclinación	000 ⇔ 255	0–100%
4	Inclinación fino	000 ⇔ 255	Control fino (16 bits)
5	Velocidad de pan/inclina	000 ⇔ 255	Rápido a lento
6	CTC	000	Sin función
		001 ⇔ 255	Temperatura de color, 19000–2700K
7	Color preestablecida de anillo	000 ⇔ 004	Sin función
		005 ⇔ 174	Color 1–34 (ver Carta de colores preestablecida [sin blanco])
		175 ⇔ 179	Sin función
		180 ⇔ 201	Desvanecimiento de color, rápido a lento
		202 ⇔ 207	Para
		208 ⇔ 229	Desvanecimiento de color inverso, rápido a lento
		230 ⇔ 234	Sin función
		235 ⇔ 249	Salta de color, rápido a lento
250 ⇔ 255	Sin función		
8	Color preestablecida de centro	000 ⇔ 004	Sin función
		005 ⇔ 174	Color 1–34 (ver Carta de colores preestablecida)
		175 ⇔ 179	Sin función
		180 ⇔ 201	Desvanecimiento de color, rápido a lento
		202 ⇔ 207	Para
		208 ⇔ 229	Desvanecimiento de color inverso, rápido a lento
		230 ⇔ 234	Sin función
		235 ⇔ 249	Salta de color, rápido a lento
250 ⇔ 255	Sin función		
9	Patrón	000	Sin función
		001 ⇔ 255	Patrón 1–255

Canal	Función	Valor	Porcentaje/Configuración
10	Macro LED	000 ⇔ 005	Sin función
		006 ⇔ 010	Macro LED 1
		011 ⇔ 015	Macro LED 2
		016 ⇔ 020	Macro LED 3
		021 ⇔ 025	Macro LED 4
		026 ⇔ 030	Macro LED 5
		031 ⇔ 035	Macro LED 6
		036 ⇔ 040	Macro LED 7
		041 ⇔ 045	Macro LED 8
		046 ⇔ 050	Macro LED 9
		051 ⇔ 055	Macro LED 10
		056 ⇔ 060	Macro LED 11
		061 ⇔ 065	Macro LED 12
		066 ⇔ 070	Macro LED 13
		071 ⇔ 075	Macro LED 14
		076 ⇔ 080	Macro LED 15
		081 ⇔ 085	Macro LED 16
		086 ⇔ 090	Macro LED 17
		091 ⇔ 095	Macro LED 18
		096 ⇔ 100	Macro LED 19
		101 ⇔ 105	Macro LED 20
		106 ⇔ 110	Macro LED 21
		111 ⇔ 115	Macro LED 22
		116 ⇔ 120	Macro LED 23
		121 ⇔ 125	Macro LED 24
		126 ⇔ 130	Macro LED 25
		131 ⇔ 135	Macro LED 26
		136 ⇔ 140	Macro LED 27
		141 ⇔ 145	Macro LED 28
		146 ⇔ 150	Macro LED 29
		151 ⇔ 155	Macro LED 30
		156 ⇔ 160	Macro LED 31
		161 ⇔ 165	Macro LED 32
		166 ⇔ 170	Macro LED 33
		171 ⇔ 175	Macro LED 34
		176 ⇔ 180	Macro LED 35
		181 ⇔ 185	Macro LED 36
		186 ⇔ 190	Macro LED 37
		191 ⇔ 195	Macro LED 38
		199 ⇔ 200	Macro LED 39
		201 ⇔ 205	Macro LED 40
		206 ⇔ 210	Macro LED 41
211 ⇔ 215	Macro LED 42		
216 ⇔ 255	Sin función		
11	Velocidad de macro LED	000 ⇔ 127 128 129 ⇔ 255	Velocidad de macro LED, rápido a lento Para Macro LED inverso, lento a rápido
12	Retrasar de macro LED	000 ⇔ 255	Retrasar de macro LED, rápido a lento
13	Color de fondo	000	Sin función
		001 ⇔ 239	Colores de fondo (ver Carta de colores de fondo)
		240 ⇔ 247 248 ⇔ 255	Desvanecimiento de color, rápido a lento Salta de color, rápido a lento
14	Atenuador de fondo	000 ⇔ 255	0–100%
15	Atenuador fino de fondo	000 ⇔ 255	Control fino (16 bits)
16	Atenuador de anillo	000 ⇔ 255	0–100%
17	Atenuador de anillo fino	000 ⇔ 255	Control fino (16 bits)
18	Atenuador de centro	000 ⇔ 255	0–100%

Canal	Función	Valor	Porcentaje/Configuración
19	Atenuador de centro fino	000 ⇔ 255	Control fino (16 bits)
20	Estroboscopio de anillo	000 ⇔ 019	Apagado
		020 ⇔ 024	Encendido
		025 ⇔ 069	Estroboscopio, rápido a lento
		070 ⇔ 089	Estroboscopio que se desvanece 100–0%, rápido a lento
		090 ⇔ 109	Estroboscopio que se desvanece 0–100%, rápido a lento
		110 ⇔ 129	Estroboscopio aleatorio, rápido a lento
		130 ⇔ 149	Estroboscopio aleatorio que se desvanece 100–0%, rápido a lento
		150 ⇔ 169	Estroboscopio aleatorio que se desvanece 0–100%, rápido a lento
		170 ⇔ 189	Estroboscopio pulsante, rápido a lento
		190 ⇔ 209	Estroboscopio aleatorio pulsante, rápido a lento
		210 ⇔ 229	Estroboscopio que se desvanece 100–0–100%, rápido a lento
230 ⇔ 244	Estroboscopio aleatorio pulsante, rápido a lento		
245 ⇔ 255	Encendido		
21	Estroboscopio de centro	000 ⇔ 019	Apagado
		020 ⇔ 024	Encendido
		025 ⇔ 069	Estroboscopio, rápido a lento
		070 ⇔ 089	Estroboscopio que se desvanece 100–0%, rápido a lento
		090 ⇔ 109	Estroboscopio que se desvanece 0–100%, rápido a lento
		110 ⇔ 129	Estroboscopio aleatorio, rápido a lento
		130 ⇔ 149	Estroboscopio aleatorio que se desvanece 100–0%, rápido a lento
		150 ⇔ 169	Estroboscopio aleatorio que se desvanece 0–100%, rápido a lento
		170 ⇔ 189	Estroboscopio pulsante, rápido a lento
		190 ⇔ 209	Estroboscopio aleatorio pulsante, rápido a lento
		210 ⇔ 229	Estroboscopio que se desvanece 100–0–100%, rápido a lento
230 ⇔ 244	Estroboscopio aleatorio pulsante, rápido a lento		
245 ⇔ 255	Encendido		
22	Zoom	000 ⇔ 255	Acercar a alejar
23	Control (*Activa en 5 segundos)	000 ⇔ 009	Sin función
		010 ⇔ 014	Oscuro en pan/inclinación
		015 ⇔ 029	Reservado para uso futuro
		030 ⇔ 034	Sincronizar los LED anillo y centro*
		035 ⇔ 039	Desincronizar los LED anillo y centro*
		040 ⇔ 044	Ventilador de descongelación encendido
		045 ⇔ 049	Ventilador de descongelación apagado
		050 ⇔ 054	Restablecer pan*
		055 ⇔ 059	Restablecer inclinación*
		060 ⇔ 064	Restablecer zoom
		065 ⇔ 069	Reservado para uso futuro
		070 ⇔ 074	Restablecer todos*
		075 ⇔ 119	Reservado para uso futuro
		120 ⇔ 124	Modo de ventilador ECO*
		125 ⇔ 129	Modo de ventilador Full*
		130 ⇔ 134	Modo de ventilador Auto*
		135 ⇔ 139	Modo de atenuador rápido*
		140 ⇔ 144	Modo de atenuador suave*
		145 ⇔ 149	Curva de atenuador lineal
		150 ⇔ 154	Curva de atenuador cuadrado
		155 ⇔ 159	Curva de atenuador cuadrado inversa
		160 ⇔ 164	Curva de atenuador curva-S
		165 ⇔ 169	Modo BLANCO
		170 ⇔ 174	Modo MÁXIMO
		175 ⇔ 179	Calibración de un solo color apagado
		180 ⇔ 184	Calibración de un solo color encendido
185 ⇔ 239	Sin función		
240 ⇔ 247	Calibración encendido		
248 ⇔ 255	Calibración apagado		

Canal	Función	Valor	Porcentaje/Configuración
24	Rojo 1	000 ⇔ 255	0–100%
25	Rojo fino	000 ⇔ 255	Control fino (16 bits)
26	Verde	000 ⇔ 255	0–100%
27	Verde fino	000 ⇔ 255	Control fino (16 bits)
28	Azul	000 ⇔ 255	0–100%
29	Azul fino	000 ⇔ 255	Control fino (16 bits)
30	Blanco	000 ⇔ 255	0–100%
31	Blanco fino	000 ⇔ 255	Control fino (16 bits)
32	Rojo 1	000 ⇔ 255	0–100%
33	Rojo fino 1	000 ⇔ 255	Control fino (16 bits)
34	Verde 1	000 ⇔ 255	0–100%
35	Verde fino 1	000 ⇔ 255	Control fino (16 bits)
36	Azul 1	000 ⇔ 255	0–100%
37	Azul fino 1	000 ⇔ 255	Control fino (16 bits)
38	Rojo 2	000 ⇔ 255	0–100%
39	Rojo fino 2	000 ⇔ 255	Control fino (16 bits)
40	Verde 2	000 ⇔ 255	0–100%
41	Verde fino 2	000 ⇔ 255	Control fino (16 bits)
42	Azul 2	000 ⇔ 255	0–100%
43	Azul fino 2	000 ⇔ 255	Control fino (16 bits)
44	Rojo 3	000 ⇔ 255	0–100%
45	Rojo fino 3	000 ⇔ 255	Control fino (16 bits)
46	Verde 3	000 ⇔ 255	0–100%
47	Verde fino 3	000 ⇔ 255	Control fino (16 bits)
48	Azul 3	000 ⇔ 255	0–100%
49	Azul fino 3	000 ⇔ 255	Control fino (16 bits)
50	Rojo 4	000 ⇔ 255	0–100%
51	Rojo fino 4	000 ⇔ 255	Control fino (16 bits)
52	Verde 4	000 ⇔ 255	0–100%
53	Verde fino 4	000 ⇔ 255	Control fino (16 bits)
54	Azul 4	000 ⇔ 255	0–100%
55	Azul fino 4	000 ⇔ 255	Control fino (16 bits)
56	Rojo 5	000 ⇔ 255	0–100%
57	Rojo fino 5	000 ⇔ 255	Control fino (16 bits)
58	Verde 5	000 ⇔ 255	0–100%
59	Verde fino 5	000 ⇔ 255	Control fino (16 bits)
60	Azul 5	000 ⇔ 255	0–100%
61	Azul fino 5	000 ⇔ 255	Control fino (16 bits)
62	Rojo 6	000 ⇔ 255	0–100%
63	Rojo fino 6	000 ⇔ 255	Control fino (16 bits)
64	Verde 6	000 ⇔ 255	0–100%
65	Verde fino 6	000 ⇔ 255	Control fino (16 bits)
66	Azul 6	000 ⇔ 255	0–100%
67	Azul fino 6	000 ⇔ 255	Control fino (16 bits)
68	Rojo 7	000 ⇔ 255	0–100%
69	Rojo fino 7	000 ⇔ 255	Control fino (16 bits)
70	Verde 7	000 ⇔ 255	0–100%
71	Verde fino 7	000 ⇔ 255	Control fino (16 bits)
72	Azul 7	000 ⇔ 255	0–100%
73	Azul fino 7	000 ⇔ 255	Control fino (16 bits)
74	Rojo 8	000 ⇔ 255	0–100%
75	Rojo fino 8	000 ⇔ 255	Control fino (16 bits)
76	Verde 8	000 ⇔ 255	0–100%
77	Verde fino 8	000 ⇔ 255	Control fino (16 bits)
78	Azul 8	000 ⇔ 255	0–100%
79	Azul fino 8	000 ⇔ 255	Control fino (16 bits)
80	Rojo 9	000 ⇔ 255	0–100%

Canal	Función	Valor	Porcentaje/Configuración
81	Rojo fino 9	000 ⇔ 255	Control fino (16 bits)
82	Verde 9	000 ⇔ 255	0–100%
83	Verde fino 9	000 ⇔ 255	Control fino (16 bits)
84	Azul 9	000 ⇔ 255	0–100%
85	Azul fino 9	000 ⇔ 255	Control fino (16 bits)
86	Rojo 10	000 ⇔ 255	0–100%
87	Rojo fino 10	000 ⇔ 255	Control fino (16 bits)
88	Verde 10	000 ⇔ 255	0–100%
89	Verde fino 10	000 ⇔ 255	Control fino (16 bits)
90	Azul 10	000 ⇔ 255	0–100%
91	Azul fino 10	000 ⇔ 255	Control fino (16 bits)
92	Rojo 11	000 ⇔ 255	0–100%
93	Rojo fino 11	000 ⇔ 255	Control fino (16 bits)
94	Verde 11	000 ⇔ 255	0–100%
95	Verde fino 11	000 ⇔ 255	Control fino (16 bits)
96	Azul 11	000 ⇔ 255	0–100%
97	Azul fino 11	000 ⇔ 255	Control fino (16 bits)
98	Rojo 12	000 ⇔ 255	0–100%
99	Rojo fino 12	000 ⇔ 255	Control fino (16 bits)
100	Verde 12	000 ⇔ 255	0–100%
101	Verde fino 12	000 ⇔ 255	Control fino (16 bits)
102	Azul 12	000 ⇔ 255	0–100%
103	Azul fino 12	000 ⇔ 255	Control fino (16 bits)
104	Rojo de centro	000 ⇔ 255	0–100%
105	Rojo fino de centro	000 ⇔ 255	Control fino (16 bits)
106	Verde de centro	000 ⇔ 255	0–100%
107	Verde fino de centro	000 ⇔ 255	Control fino (16 bits)
108	Azul de centro	000 ⇔ 255	0–100%
109	Azul fino de centro	000 ⇔ 255	Control fino (16 bits)
110	Blanco de centro	000 ⇔ 255	0–100%
111	Blanco fino de centro	000 ⇔ 255	Control fino (16 bits)

64CH

Canal	Función	Valor	Porcentaje/Configuración
1	Pan	000 ⇔ 255	Desplazamiento lateral 0–100%
2	Pan fino	000 ⇔ 255	Control fino (16 bits)
3	Inclinación	000 ⇔ 255	0–100%
4	Inclinación fino	000 ⇔ 255	Control fino (16 bits)
5	Velocidad de pan/inclina	000 ⇔ 255	Rápido a lento
6	CTC	000	Sin función
		001 ⇔ 255	Temperatura de color, 19000–2700K
7	Color preestablecida de anillo	000 ⇔ 004	Sin función
		005 ⇔ 174	Color 1–34 (ver Carta de colores preestablecida [sin blanco])
		175 ⇔ 179	Sin función
		180 ⇔ 201	Desvanecimiento de color, rápido a lento
		202 ⇔ 207	Para
		208 ⇔ 229	Desvanecimiento de color inverso, rápido a lento
		230 ⇔ 234	Sin función
		235 ⇔ 249	Salta de color, rápido a lento
250 ⇔ 255	Sin función		

GUÍA DE REFERENCIA RÁPIDA



ES

Canal	Función	Valor	Porcentaje/Configuración
8	Color preestablecida de centro	000 ⇔ 004	Sin función
		005 ⇔ 174	Color 1–34 (ver Carta de colores preestablecida)
		175 ⇔ 179	Sin función
		180 ⇔ 201	Desvanecimiento de color, rápido a lento
		202 ⇔ 207	Para
		208 ⇔ 229	Desvanecimiento de color inverso, rápido a lento
		230 ⇔ 234	Sin función
		235 ⇔ 249	Salta de color, rápido a lento
		250 ⇔ 255	Sin función
9	Patrón	000	Sin función
		001 ⇔ 255	Patrón 1–255
10	Macro LED	000 ⇔ 005	Sin función
		006 ⇔ 010	Macro LED 1
		011 ⇔ 015	Macro LED 2
		016 ⇔ 020	Macro LED 3
		021 ⇔ 025	Macro LED 4
		026 ⇔ 030	Macro LED 5
		031 ⇔ 035	Macro LED 6
		036 ⇔ 040	Macro LED 7
		041 ⇔ 045	Macro LED 8
		046 ⇔ 050	Macro LED 9
		051 ⇔ 055	Macro LED 10
		056 ⇔ 060	Macro LED 11
		061 ⇔ 065	Macro LED 12
		066 ⇔ 070	Macro LED 13
		071 ⇔ 075	Macro LED 14
		076 ⇔ 080	Macro LED 15
		081 ⇔ 085	Macro LED 16
		086 ⇔ 090	Macro LED 17
		091 ⇔ 095	Macro LED 18
		096 ⇔ 100	Macro LED 19
		101 ⇔ 105	Macro LED 20
		106 ⇔ 110	Macro LED 21
		111 ⇔ 115	Macro LED 22
		116 ⇔ 120	Macro LED 23
		121 ⇔ 125	Macro LED 24
		126 ⇔ 130	Macro LED 25
		131 ⇔ 135	Macro LED 26
		136 ⇔ 140	Macro LED 27
		141 ⇔ 145	Macro LED 28
		146 ⇔ 150	Macro LED 29
		151 ⇔ 155	Macro LED 30
		156 ⇔ 160	Macro LED 31
		161 ⇔ 165	Macro LED 32
		166 ⇔ 170	Macro LED 33
		171 ⇔ 175	Macro LED 34
		176 ⇔ 180	Macro LED 35
		181 ⇔ 185	Macro LED 36
		186 ⇔ 190	Macro LED 37
		191 ⇔ 195	Macro LED 38
		199 ⇔ 200	Macro LED 39
		201 ⇔ 205	Macro LED 40
		206 ⇔ 210	Macro LED 41
211 ⇔ 215	Macro LED 42		
216 ⇔ 255	Sin función		

Canal	Función	Valor	Porcentaje/Configuración
11	Velocidad de macro LED	000 ⇔ 127	Velocidad de macro LED, rápido a lento
		128	Para
		129 ⇔ 255	Macro LED inverso, lento a rápido
12	Retrasar de macro LED	000 ⇔ 255	Retrasar de macro LED, rápido a lento
13	Color de fondo	000	Sin función
		001 ⇔ 239	Colores de fondo (ver Carta de colores de fondo)
		240 ⇔ 247	Desvanecimiento de color, rápido a lento
		248 ⇔ 255	Salta de color, rápido a lento
14	Atenuador de fondo	000 ⇔ 255	0–100%
15	Atenuador de anillo	000 ⇔ 255	0–100%
16	Atenuador de centro	000 ⇔ 255	0–100%
17	Estroboscopio de anillo	000 ⇔ 019	Apagado
		020 ⇔ 024	Encendido
		025 ⇔ 069	Estroboscopio, rápido a lento
		070 ⇔ 089	Estroboscopio que se desvanece 100–0%, rápido a lento
		090 ⇔ 109	Estroboscopio que se desvanece 0–100%, rápido a lento
		110 ⇔ 129	Estroboscopio aleatorio, rápido a lento
		130 ⇔ 149	Estroboscopio aleatorio que se desvanece 100–0%, rápido a lento
		150 ⇔ 169	Estroboscopio aleatorio que se desvanece 0–100%, rápido a lento
		170 ⇔ 189	Estroboscopio pulsante, rápido a lento
		190 ⇔ 209	Estroboscopio aleatorio pulsante, rápido a lento
		210 ⇔ 229	Estroboscopio que se desvanece 100–0–100%, rápido a lento
		230 ⇔ 244	Estroboscopio aleatorio pulsante, rápido a lento
245 ⇔ 255	Encendido		
18	Estroboscopio de centro	000 ⇔ 019	Apagado
		020 ⇔ 024	Encendido
		025 ⇔ 069	Estroboscopio, rápido a lento
		070 ⇔ 089	Estroboscopio que se desvanece 100–0%, rápido a lento
		090 ⇔ 109	Estroboscopio que se desvanece 0–100%, rápido a lento
		110 ⇔ 129	Estroboscopio aleatorio, rápido a lento
		130 ⇔ 149	Estroboscopio aleatorio que se desvanece 100–0%, rápido a lento
		150 ⇔ 169	Estroboscopio aleatorio que se desvanece 0–100%, rápido a lento
		170 ⇔ 189	Estroboscopio pulsante, rápido a lento
		190 ⇔ 209	Estroboscopio aleatorio pulsante, rápido a lento
		210 ⇔ 229	Estroboscopio que se desvanece 100–0–100%, rápido a lento
		230 ⇔ 244	Estroboscopio aleatorio pulsante, rápido a lento
245 ⇔ 255	Encendido		
19	Zoom	000 ⇔ 255	Acercar a alejar

Canal	Función	Valor	Porcentaje/Configuración
20	Control (*Activa en 5 segundos)	000 ⇔ 009	Sin función
		010 ⇔ 014	Oscuro en pan/inclinación
		015 ⇔ 029	Reservado para uso futuro
		030 ⇔ 034	Sincronizar los LED anillo y centro*
		035 ⇔ 039	Desincronizar los LED anillo y centro*
		040 ⇔ 044	Ventilador de descongelación encendido
		045 ⇔ 049	Ventilador de descongelación apagado
		050 ⇔ 054	Restablecer pan*
		055 ⇔ 059	Restablecer inclinación*
		060 ⇔ 064	Restablecer zoom
		065 ⇔ 069	Reservado para uso futuro
		050 ⇔ 074	Restablecer todos*
		075 ⇔ 119	Reservado para uso futuro
		120 ⇔ 124	Modo de ventilador ECO*
		125 ⇔ 129	Modo de ventilador Full*
		130 ⇔ 134	Modo de ventilador Auto*
		135 ⇔ 139	Modo de atenuador rápido*
		140 ⇔ 144	Modo de atenuador suave*
		145 ⇔ 149	Curva de atenuador lineal
		150 ⇔ 154	Curva de atenuador cuadrado
		155 ⇔ 159	Curva de atenuador cuadrado inversa
		160 ⇔ 164	Curva de atenuador curva-S
		165 ⇔ 169	Modo BLANCO
		170 ⇔ 174	Modo MÁXIMO
		175 ⇔ 179	Calibración de un solo color apagado
		180 ⇔ 184	Calibración de un solo color encendido
185 ⇔ 239	Sin función		
240 ⇔ 247	Calibración encendido		
248 ⇔ 255	Calibración apagado		
21	Rojo	000 ⇔ 255	0-100%
22	Verde	000 ⇔ 255	0-100%
23	Azul	000 ⇔ 255	0-100%
24	Blanco	000 ⇔ 255	0-100%
25	Rojo 1	000 ⇔ 255	0-100%
26	Verde 1	000 ⇔ 255	0-100%
27	Azul 1	000 ⇔ 255	0-100%
28	Rojo 2	000 ⇔ 255	0-100%
29	Verde 2	000 ⇔ 255	0-100%
30	Azul 2	000 ⇔ 255	0-100%
31	Rojo 3	000 ⇔ 255	0-100%
32	Verde 3	000 ⇔ 255	0-100%
33	Azul 3	000 ⇔ 255	0-100%
34	Rojo 4	000 ⇔ 255	0-100%
35	Verde 4	000 ⇔ 255	0-100%
36	Azul 4	000 ⇔ 255	0-100%
37	Rojo 5	000 ⇔ 255	0-100%
38	Verde 5	000 ⇔ 255	0-100%
39	Azul 5	000 ⇔ 255	0-100%
40	Rojo 6	000 ⇔ 255	0-100%
41	Verde 6	000 ⇔ 255	0-100%
42	Azul 6	000 ⇔ 255	0-100%
43	Rojo 7	000 ⇔ 255	0-100%
44	Verde 7	000 ⇔ 255	0-100%
45	Azul 7	000 ⇔ 255	0-100%
46	Rojo 8	000 ⇔ 255	0-100%
47	Verde 8	000 ⇔ 255	0-100%
48	Azul 8	000 ⇔ 255	0-100%

Canal	Función	Valor	Porcentaje/Configuración
49	Rojo 9	000 ⇔ 255	0–100%
50	Verde 9	000 ⇔ 255	0–100%
51	Azul 9	000 ⇔ 255	0–100%
52	Rojo 10	000 ⇔ 255	0–100%
53	Verde 10	000 ⇔ 255	0–100%
54	Azul 10	000 ⇔ 255	0–100%
55	Rojo 11	000 ⇔ 255	0–100%
56	Verde 11	000 ⇔ 255	0–100%
57	Azul 11	000 ⇔ 255	0–100%
58	Rojo 12	000 ⇔ 255	0–100%
59	Verde 12	000 ⇔ 255	0–100%
60	Azul 12	000 ⇔ 255	0–100%
61	Rojo de centro	000 ⇔ 255	0–100%
62	Verde de centro	000 ⇔ 255	0–100%
63	Azul de centro	000 ⇔ 255	0–100%
64	Blanco de centro	000 ⇔ 255	0–100%

30CH

Canal	Función	Valor	Porcentaje/Configuración
1	Pan	000 ⇔ 255	Desplazamiento lateral 0–100%
2	Pan fino	000 ⇔ 255	Control fino (16 bits)
3	Inclinación	000 ⇔ 255	0–100%
4	Inclinación fino	000 ⇔ 255	Control fino (16 bits)
5	Velocidad de pan/inclina	000 ⇔ 255	Rápido a lento
6	CTC	000	Sin función
		001 ⇔ 255	Temperatura de color, 19000–2700K
7	Color preestablecida de anillo	000 ⇔ 004	Sin función
		005 ⇔ 174	Color 1–34 (ver Carta de colores preestablecida [sin blanco])
		175 ⇔ 179	Sin función
		180 ⇔ 201	Desvanecimiento de color, rápido a lento
		202 ⇔ 207	Para
		208 ⇔ 229	Desvanecimiento de color inverso, rápido a lento
		230 ⇔ 234	Sin función
		235 ⇔ 249	Salta de color, rápido a lento
250 ⇔ 255	Sin función		
8	Color preestablecida de centro	000 ⇔ 004	Sin función
		005 ⇔ 174	Color 1–34 (ver Carta de colores preestablecida)
		175 ⇔ 179	Sin función
		180 ⇔ 201	Desvanecimiento de color, rápido a lento
		202 ⇔ 207	Para
		208 ⇔ 229	Desvanecimiento de color inverso, rápido a lento
		230 ⇔ 234	Sin función
		235 ⇔ 249	Salta de color, rápido a lento
250 ⇔ 255	Sin función		
9	Patrón	000	Sin función
		001 ⇔ 255	Patrón 1–255

Canal	Función	Valor	Porcentaje/Configuración
10	Macro LED	000 ⇔ 005	Sin función
		006 ⇔ 010	Macro LED 1
		011 ⇔ 015	Macro LED 2
		016 ⇔ 020	Macro LED 3
		021 ⇔ 025	Macro LED 4
		026 ⇔ 030	Macro LED 5
		031 ⇔ 035	Macro LED 6
		036 ⇔ 040	Macro LED 7
		041 ⇔ 045	Macro LED 8
		046 ⇔ 050	Macro LED 9
		051 ⇔ 055	Macro LED 10
		056 ⇔ 060	Macro LED 11
		061 ⇔ 065	Macro LED 12
		066 ⇔ 070	Macro LED 13
		071 ⇔ 075	Macro LED 14
		076 ⇔ 080	Macro LED 15
		081 ⇔ 085	Macro LED 16
		086 ⇔ 090	Macro LED 17
		091 ⇔ 095	Macro LED 18
		096 ⇔ 100	Macro LED 19
		101 ⇔ 105	Macro LED 20
		106 ⇔ 110	Macro LED 21
		111 ⇔ 115	Macro LED 22
		116 ⇔ 120	Macro LED 23
		121 ⇔ 125	Macro LED 24
		126 ⇔ 130	Macro LED 25
		131 ⇔ 135	Macro LED 26
		136 ⇔ 140	Macro LED 27
		141 ⇔ 145	Macro LED 28
		146 ⇔ 150	Macro LED 29
		151 ⇔ 155	Macro LED 30
		156 ⇔ 160	Macro LED 31
		161 ⇔ 165	Macro LED 32
		166 ⇔ 170	Macro LED 33
171 ⇔ 175	Macro LED 34		
176 ⇔ 180	Macro LED 35		
181 ⇔ 185	Macro LED 36		
186 ⇔ 190	Macro LED 37		
191 ⇔ 195	Macro LED 38		
199 ⇔ 200	Macro LED 39		
201 ⇔ 205	Macro LED 40		
206 ⇔ 210	Macro LED 41		
211 ⇔ 215	Macro LED 42		
216 ⇔ 255	Sin función		
11	Velocidad de macro LED	000 ⇔ 127 128 129 ⇔ 255	Velocidad de macro LED, rápido a lento Para Macro LED inverso, lento a rápido
12	Retrasar de macro LED	000 ⇔ 255	Retrasar de macro LED, rápido a lento
13	Color de fondo	000	Sin función
		001 ⇔ 239	Colores de fondo (ver Carta de colores de fondo)
		240 ⇔ 247 248 ⇔ 255	Desvanecimiento de color, rápido a lento Salta de color, rápido a lento
14	Atenuador de fondo	000 ⇔ 255	0–100%
15	Atenuador de anillo	000 ⇔ 255	0–100%
16	Atenuador de anillo fino	000 ⇔ 255	Control fino (16 bits)
17	Atenuador de centro	000 ⇔ 255	0–100%
18	Atenuador de centro fino	000 ⇔ 255	Control fino (16 bits)

Canal	Función	Valor	Porcentaje/Configuración
19	Estroboscopio de anillo	000 ⇔ 019	Apagado
		020 ⇔ 024	Encendido
		025 ⇔ 069	Estroboscopio, rápido a lento
		070 ⇔ 089	Estroboscopio que se desvanece 100–0%, rápido a lento
		090 ⇔ 109	Estroboscopio que se desvanece 0–100%, rápido a lento
		110 ⇔ 129	Estroboscopio aleatorio, rápido a lento
		130 ⇔ 149	Estroboscopio aleatorio que se desvanece 100–0%, rápido a lento
		150 ⇔ 169	Estroboscopio aleatorio que se desvanece 0–100%, rápido a lento
		170 ⇔ 189	Estroboscopio pulsante, rápido a lento
		190 ⇔ 209	Estroboscopio aleatorio pulsante, rápido a lento
		210 ⇔ 229	Estroboscopio que se desvanece 100–0–100%, rápido a lento
		230 ⇔ 244	Estroboscopio aleatorio pulsante, rápido a lento
		245 ⇔ 255	Encendido
20	Estroboscopio de centro	000 ⇔ 019	Apagado
		020 ⇔ 024	Encendido
		025 ⇔ 069	Estroboscopio, rápido a lento
		070 ⇔ 089	Estroboscopio que se desvanece 100–0%, rápido a lento
		090 ⇔ 109	Estroboscopio que se desvanece 0–100%, rápido a lento
		110 ⇔ 129	Estroboscopio aleatorio, rápido a lento
		130 ⇔ 149	Estroboscopio aleatorio que se desvanece 100–0%, rápido a lento
		150 ⇔ 169	Estroboscopio aleatorio que se desvanece 0–100%, rápido a lento
		170 ⇔ 189	Estroboscopio pulsante, rápido a lento
		190 ⇔ 209	Estroboscopio aleatorio pulsante, rápido a lento
		210 ⇔ 229	Estroboscopio que se desvanece 100–0–100%, rápido a lento
		230 ⇔ 244	Estroboscopio aleatorio pulsante, rápido a lento
		245 ⇔ 255	Encendido
21	Zoom	000 ⇔ 255	Acercar a alejar
22	Control (*Activa en 5 segundos)	000 ⇔ 009	Sin función
		010 ⇔ 014	Oscuro en pan/inclinación
		015 ⇔ 029	Reservado para uso futuro
		030 ⇔ 034	Sincronizar los LED anillo y centro*
		035 ⇔ 039	Desincronizar los LED anillo y centro*
		040 ⇔ 044	Ventilador de descongelación encendido
		045 ⇔ 049	Ventilador de descongelación apagado
		050 ⇔ 054	Restablecer pan*
		055 ⇔ 059	Restablecer inclinación*
		060 ⇔ 064	Restablecer zoom
		065 ⇔ 069	Reservado para uso futuro
		050 ⇔ 074	Restablecer todos*
		075 ⇔ 119	Reservado para uso futuro
		120 ⇔ 124	Modo de ventilador ECO*
		125 ⇔ 129	Modo de ventilador Full*
		130 ⇔ 134	Modo de ventilador Auto*
		135 ⇔ 139	Modo de atenuador rápido*
		140 ⇔ 144	Modo de atenuador suave*
		145 ⇔ 149	Curva de atenuador lineal
		150 ⇔ 154	Curva de atenuador cuadrado
		155 ⇔ 159	Curva de atenuador cuadrado inversa
		160 ⇔ 164	Curva de atenuador curva-S
		165 ⇔ 169	Modo BLANCO
		170 ⇔ 174	Modo MÁXIMO
		175 ⇔ 179	Calibración de un solo color apagado
		180 ⇔ 184	Calibración de un solo color encendido
		185 ⇔ 239	Sin función
		240 ⇔ 247	Calibración encendido
248 ⇔ 255	Calibración apagado		
23	Rojo	000 ⇔ 255	0–100%

Canal	Función	Valor	Porcentaje/Configuración
24	Rojo fino	000 ⇔ 255	Control fino (16 bits)
25	Verde	000 ⇔ 255	0–100%
26	Verde fino	000 ⇔ 255	Control fino (16 bits)
27	Azul	000 ⇔ 255	0–100%
28	Azul fino	000 ⇔ 255	Control fino (16 bits)
29	Blanco	000 ⇔ 255	0–100%
30	Blanco fino	000 ⇔ 255	Control fino (16 bits)

24CH

Canal	Función	Valor	Porcentaje/Configuración
1	Pan	000 ⇔ 255	Desplazamiento lateral 0–100%
2	Pan fino	000 ⇔ 255	Control fino (16 bits)
3	Inclinación	000 ⇔ 255	0–100%
4	Inclinación fino	000 ⇔ 255	Control fino (16 bits)
5	Velocidad de pan/inclina	000 ⇔ 255	Rápido a lento
6	CTC	000	Sin función
		001 ⇔ 255	Temperatura de color, 19000–2700K
7	Color preestablecida de anillo	000 ⇔ 004	Sin función
		005 ⇔ 174	Color 1–34 (ver Carta de colores preestablecida [sin blanco])
		175 ⇔ 179	Sin función
		180 ⇔ 201	Desvanecimiento de color, rápido a lento
		202 ⇔ 207	Para
		208 ⇔ 229	Desvanecimiento de color inverso, rápido a lento
		230 ⇔ 234	Sin función
		235 ⇔ 249	Salta de color, rápido a lento
250 ⇔ 255	Sin función		
8	Color preestablecida de centro	000 ⇔ 004	Sin función
		005 ⇔ 174	Color 1–34 (ver Carta de colores preestablecida)
		175 ⇔ 179	Sin función
		180 ⇔ 201	Desvanecimiento de color, rápido a lento
		202 ⇔ 207	Para
		208 ⇔ 229	Desvanecimiento de color inverso, rápido a lento
		230 ⇔ 234	Sin función
		235 ⇔ 249	Salta de color, rápido a lento
250 ⇔ 255	Sin función		
9	Patrón	000	Sin función
		001 ⇔ 255	Patrón 1–255

Canal	Función	Valor	Porcentaje/Configuración
10	Macro LED	000 ⇔ 005	Sin función
		006 ⇔ 010	Macro LED 1
		011 ⇔ 015	Macro LED 2
		016 ⇔ 020	Macro LED 3
		021 ⇔ 025	Macro LED 4
		026 ⇔ 030	Macro LED 5
		031 ⇔ 035	Macro LED 6
		036 ⇔ 040	Macro LED 7
		041 ⇔ 045	Macro LED 8
		046 ⇔ 050	Macro LED 9
		051 ⇔ 055	Macro LED 10
		056 ⇔ 060	Macro LED 11
		061 ⇔ 065	Macro LED 12
		066 ⇔ 070	Macro LED 13
		071 ⇔ 075	Macro LED 14
		076 ⇔ 080	Macro LED 15
		081 ⇔ 085	Macro LED 16
		086 ⇔ 090	Macro LED 17
		091 ⇔ 095	Macro LED 18
		096 ⇔ 100	Macro LED 19
		101 ⇔ 105	Macro LED 20
		106 ⇔ 110	Macro LED 21
		111 ⇔ 115	Macro LED 22
		116 ⇔ 120	Macro LED 23
		121 ⇔ 125	Macro LED 24
		126 ⇔ 130	Macro LED 25
		131 ⇔ 135	Macro LED 26
		136 ⇔ 140	Macro LED 27
		141 ⇔ 145	Macro LED 28
		146 ⇔ 150	Macro LED 29
151 ⇔ 155	Macro LED 30		
156 ⇔ 160	Macro LED 31		
161 ⇔ 165	Macro LED 32		
166 ⇔ 170	Macro LED 33		
171 ⇔ 175	Macro LED 34		
176 ⇔ 180	Macro LED 35		
181 ⇔ 185	Macro LED 36		
186 ⇔ 190	Macro LED 37		
191 ⇔ 195	Macro LED 38		
199 ⇔ 200	Macro LED 39		
201 ⇔ 205	Macro LED 40		
206 ⇔ 210	Macro LED 41		
211 ⇔ 215	Macro LED 42		
216 ⇔ 255	Sin función		
11	Velocidad de macro LED	000 ⇔ 127 128 129 ⇔ 255	Velocidad de macro LED, rápido a lento Para Macro LED inverso, lento a rápido
12	Retrasar de macro LED	000 ⇔ 255	Retrasar de macro LED, rápido a lento
13	Color de fondo	000	Sin función
		001 ⇔ 239	Colores de fondo (ver Carta de colores de fondo)
		240 ⇔ 247 248 ⇔ 255	Desvanecimiento de color, rápido a lento Salta de color, rápido a lento
14	Atenuador de fondo	000 ⇔ 255	0–100%
15	Atenuador de anillo	000 ⇔ 255	0–100%
16	Atenuador de centro	000 ⇔ 255	0–100%

Canal	Función	Valor	Porcentaje/Configuración
17	Estroboscopio de anillo	000 ⇄ 019	Apagado
		020 ⇄ 024	Encendido
		025 ⇄ 069	Estroboscopio, rápido a lento
		070 ⇄ 089	Estroboscopio que se desvanece 100–0%, rápido a lento
		090 ⇄ 109	Estroboscopio que se desvanece 0–100%, rápido a lento
		110 ⇄ 129	Estroboscopio aleatorio, rápido a lento
		130 ⇄ 149	Estroboscopio aleatorio que se desvanece 100–0%, rápido a lento
		150 ⇄ 169	Estroboscopio aleatorio que se desvanece 0–100%, rápido a lento
		170 ⇄ 189	Estroboscopio pulsante, rápido a lento
		190 ⇄ 209	Estroboscopio aleatorio pulsante, rápido a lento
		210 ⇄ 229	Estroboscopio que se desvanece 100–0–100%, rápido a lento
		230 ⇄ 244	Estroboscopio aleatorio pulsante, rápido a lento
		245 ⇄ 255	Encendido
18	Estroboscopio de centro	000 ⇄ 019	Apagado
		020 ⇄ 024	Encendido
		025 ⇄ 069	Estroboscopio, rápido a lento
		070 ⇄ 089	Estroboscopio que se desvanece 100–0%, rápido a lento
		090 ⇄ 109	Estroboscopio que se desvanece 0–100%, rápido a lento
		110 ⇄ 129	Estroboscopio aleatorio, rápido a lento
		130 ⇄ 149	Estroboscopio aleatorio que se desvanece 100–0%, rápido a lento
		150 ⇄ 169	Estroboscopio aleatorio que se desvanece 0–100%, rápido a lento
		170 ⇄ 189	Estroboscopio pulsante, rápido a lento
		190 ⇄ 209	Estroboscopio aleatorio pulsante, rápido a lento
		210 ⇄ 229	Estroboscopio que se desvanece 100–0–100%, rápido a lento
		230 ⇄ 244	Estroboscopio aleatorio pulsante, rápido a lento
		245 ⇄ 255	Encendido
19	Zoom	000 ⇄ 255	Acercar a alejar
20	Control (*Activa en 5 segundos)	000 ⇄ 009	Sin función
		010 ⇄ 014	Oscuro en pan/inclinación
		015 ⇄ 029	Reservado para uso futuro
		030 ⇄ 034	Sincronizar los LED anillo y centro*
		035 ⇄ 039	Desincronizar los LED anillo y centro*
		040 ⇄ 044	Ventilador de descongelación encendido
		045 ⇄ 049	Ventilador de descongelación apagado
		050 ⇄ 054	Restablecer pan*
		055 ⇄ 059	Restablecer inclinación*
		060 ⇄ 064	Restablecer zoom
		065 ⇄ 069	Reservado para uso futuro
		070 ⇄ 074	Restablecer todos*
		075 ⇄ 119	Reservado para uso futuro
		120 ⇄ 124	Modo de ventilador ECO*
		125 ⇄ 129	Modo de ventilador Full*
		130 ⇄ 134	Modo de ventilador Auto*
		135 ⇄ 139	Modo de atenuador rápido*
		140 ⇄ 144	Modo de atenuador suave*
		145 ⇄ 149	Curva de atenuador lineal
		150 ⇄ 154	Curva de atenuador cuadrado
		155 ⇄ 159	Curva de atenuador cuadrado inversa
		160 ⇄ 164	Curva de atenuador curva-S
		165 ⇄ 169	Modo BLANCO
		170 ⇄ 174	Modo MÁXIMO
		175 ⇄ 179	Calibración de un solo color apagado
		180 ⇄ 184	Calibración de un solo color encendido
		185 ⇄ 239	Sin función
		240 ⇄ 247	Calibración encendido
		248 ⇄ 255	Calibración apagado
		21	Rojo
22	Verde	000 ⇄ 255	0–100%
23	Azul	000 ⇄ 255	0–100%
24	Blanco	000 ⇄ 255	0–100%

15CH

Canal	Función	Valor	Porcentaje/Configuración
1	Pan	000 ⇔ 255	Desplazamiento lateral 0–100%
2	Pan fino	000 ⇔ 255	Control fino (16 bits)
3	Inclinación	000 ⇔ 255	0–100%
4	Inclinación fino	000 ⇔ 255	Control fino (16 bits)
5	Velocidad de pan/inclina	000 ⇔ 255	Rápido a lento
6	Atenuador	000 ⇔ 255	0–100%
7	Atenuador fino	000 ⇔ 255	Control fino (16 bits)
8	Estroboscopio	000 ⇔ 019	Apagado
		020 ⇔ 024	Encendido
		025 ⇔ 069	Estroboscopio, rápido a lento
		070 ⇔ 089	Estroboscopio que se desvanece 100–0%, rápido a lento
		090 ⇔ 109	Estroboscopio que se desvanece 0–100%, rápido a lento
		110 ⇔ 129	Estroboscopio aleatorio, rápido a lento
		130 ⇔ 149	Estroboscopio aleatorio que se desvanece 100–0%, rápido a lento
		150 ⇔ 169	Estroboscopio aleatorio que se desvanece 0–100%, rápido a lento
		170 ⇔ 189	Estroboscopio pulsante, rápido a lento
		190 ⇔ 209	Estroboscopio aleatorio pulsante, rápido a lento
		210 ⇔ 229	Estroboscopio que se desvanece 100–0–100%, rápido a lento
		230 ⇔ 244	Estroboscopio aleatorio pulsante, rápido a lento
245 ⇔ 255	Encendido		
9	Rojo	000 ⇔ 255	0–100%
10	Verde	000 ⇔ 255	0–100%
11	Azul	000 ⇔ 255	0–100%
12	Blanco	000 ⇔ 255	0–100%
13	Color preestablecida	000 ⇔ 004	Sin función
		005 ⇔ 174	Color 1–34 (ver Carta de colores preestablecida)
		175 ⇔ 179	Sin función
		180 ⇔ 201	Desvanecimiento de color, rápido a lento
		202 ⇔ 207	Para
		208 ⇔ 229	Desvanecimiento de color inverso, rápido a lento
		230 ⇔ 234	Sin función
		235 ⇔ 249	Salta de color, rápido a lento
250 ⇔ 255	Sin función		
14	Zoom	000 ⇔ 255	Acercar a alejar
15	Control (*Activa en 5 segundos)	000 ⇔ 009	Sin función
		010 ⇔ 014	Oscuro en pan/inclinación
		015 ⇔ 029	Reservado para uso futuro
		030 ⇔ 034	Sincronizar los LED anillo y centro*
		035 ⇔ 039	Desincronizar los LED anillo y centro*
		040 ⇔ 044	Ventilador de descongelación encendido
		045 ⇔ 049	Ventilador de descongelación apagado
		050 ⇔ 054	Restablecer pan*
		055 ⇔ 059	Restablecer inclinación*
		060 ⇔ 064	Restablecer zoom
		065 ⇔ 069	Reservado para uso futuro
		070 ⇔ 074	Restablecer todos*
		075 ⇔ 119	Reservado para uso futuro
		120 ⇔ 124	Modo de ventilador ECO*
		125 ⇔ 129	Modo de ventilador Full*
		130 ⇔ 134	Modo de ventilador Auto*
		135 ⇔ 139	Modo de atenuador rápido*
		140 ⇔ 144	Modo de atenuador suave*
		145 ⇔ 149	Curva de atenuador lineal
		150 ⇔ 154	Curva de atenuador cuadrado
		155 ⇔ 159	Curva de atenuador cuadrado inversa
		160 ⇔ 164	Curva de atenuador curva-S
		165 ⇔ 169	Modo BLANCO
		170 ⇔ 174	Modo MÁXIMO
		175 ⇔ 179	Calibración de un solo color apagado
		180 ⇔ 184	Calibración de un solo color encendido
		185 ⇔ 239	Sin función
		240 ⇔ 247	Calibración encendido
248 ⇔ 255	Calibración apagado		

À Propos de ce Manuel

Le Manuel de Référence du Rogue Outcast 1 Beam Wash (MdR) reprend des informations de base sur cet appareil notamment en matière de montage, options de menu et valeurs DMX. Télécharger le Manuel d'Utilisation sur www.chauvetprofessional.com pour de plus amples informations.

Clause de Non-Responsabilité

Les informations et caractéristiques contenues dans ce manuel sont sujettes à changement sans préavis.

GARANTIE LIMITÉE

VEUILLEZ VISITER NOTRE SITE INTERNET POUR CONSULTER LES MODALITÉS D'ENREGISTREMENT DE LA GARANTIE ET LES CONDITIONS GÉNÉRALES COMPLÈTES.

Pour les clients aux États-Unis et au Mexique: www.chauvetlighting.com/warranty-registration.

Pour les clients du Royaume-Uni, de la République d'Irlande, de la Belgique, des Pays-Bas, du Luxembourg, de la France et de l'Allemagne: www.chauvetlighting.eu/warranty-registration.

Chauvet garantit que cet appareil est exempt de défauts de matériaux et de fabrication dans des conditions normales d'utilisation, pendant la période spécifiée dans la garantie limitée complète consultable sur notre site Internet et sous réserve des exclusions et limitations qui y sont énoncées. Cette garantie ne s'applique qu'à l'acheteur initial du produit et n'est pas transférable. Pour exercer les droits prévus par cette garantie, vous devez fournir une preuve d'achat sous la forme d'un reçu de vente original d'un revendeur autorisé qui indique le nom du produit et la date d'achat. IL N'EXISTE AUCUNE AUTRE GARANTIE ÉXPRESSE OU IMPLICITE. Cette garantie vous confère des droits légaux spécifiques. Vous pouvez également bénéficier d'autres droits qui varient selon les états et les pays. Cette garantie n'est valable qu'aux États-Unis, au Royaume-Uni, en République d'Irlande, en Belgique, aux Pays-Bas, au Luxembourg, en France, en Allemagne et au Mexique. Pour connaître les conditions de garantie dans d'autres pays, veuillez consulter votre revendeur local.

Consignes de Sécurité

- Le luminaire doit être placé de manière à ce qu'il ne soit pas possible de le regarder de manière fixe à une distance inférieure à 18,04 pi (5,5 m).
- Si le câble ou le cordon flexible externe de ce luminaire est endommagé, il doit être remplacé par un câble ou cordon spécial disponible exclusivement auprès du fabricant ou de son prestataire de service.
- La source lumineuse contenue dans ce luminaire ne peut être remplacée que par le fabricant ou son prestataire de service ou une personne suffisamment qualifiée.
- Ce luminaire est uniquement réservé à un usage professionnel.
- N'ouvrez PAS cet appareil. Il ne contient aucun composant susceptible d'être réparé par l'utilisateur.
- Ne regardez PAS la source lumineuse lorsque le produit fonctionne.
- Ne laissez AUCUNE source inflammable dans un rayon de 50 cm du produit lorsque celui-ci fonctionne.
- N'utilisez PAS cet appareil si le boîtier, les lentilles ou les câbles vous semblent endommagés.
- Ne connectez ce produit NI à un gradateur NI à un rhéostat.
- N'utilisez QUE les lyres de suspension ou les poignées pour transporter cet appareil. Ne transportez jamais cet appareil par sa lyre asservie.
- N'immergez PAS ce produit (IP 65). Un usage temporaire en extérieur est autorisé.
- Ne convient pas aux installations permanentes en extérieur sur des sites sujets à des conditions environnementales extrêmes. Cela inclut par exemple :
 - L'exposition à un environnement marin ou à une solution saline (à moins de 4,8 kilomètres d'un corps d'eau salée).
 - Lorsque les températures moyennes hautes ou basses du site dépassent les plages de températures indiquées dans ce manuel.
 - Les sites qui sont sujets aux inondations ou qui présentent un risque d'être ensevelis sous la neige.
 - Tout autre endroit où le produit risque d'être soumis à des rayonnements extrêmes ou à des substances caustiques.
- ATTENTION : Lorsque l'appareil est transféré d'un environnement à température extrême à un autre (par exemple d'un camion froid vers une salle de bal chaude et humide), de la condensation peut se former sur les composants électriques internes. Pour éviter de causer des dommages, laissez l'appareil s'acclimater entièrement au milieu environnant avant de le mettre sous tension.
- ATTENTION : le boîtier de ce produit peut s'avérer brûlant lors du fonctionnement.
- Utilisez TOUJOURS un câble de sécurité lorsque vous montez ce produit en hauteur.
- Connectez UNIQUEMENT cet appareil à un circuit protégé et relié à la terre.
- Durant les périodes de non-utilisation, pour éviter toute usure inutile et pour prolonger la durée de vie, déconnectez-entièrement l'appareil en le débranchant de l'alimentation électrique ou en coupant le disjoncteur.
- Montez toujours ce produit dans un endroit bien ventilé, à au moins 50 cm (20 pouces) des surfaces adjacentes.
- En cas de sérieux problèmes de fonctionnement, arrêtez le système immédiatement.
- La température ambiante maximale doit être de 113° F (45° C). Ne le faites pas fonctionner à des températures plus élevées.

Contact

En dehors des États-Unis, du Royaume-Uni, de l'Irlande, du Benelux, de la France, de l'Allemagne, ou du Mexique, contactez votre fournisseur si vous avez besoin d'assistance ou pour retourner un appareil. Référez-vous à [Contact Us](#) à la fin de ce MdR pour obtenir des informations pour nous contacter.

Ce Qui est Inclus

- Rogue Outcast 1 Beam Wash
- Cordon d'Alimentation Seetronic Powerkon IP65
- 2 fixations Omega sans matériel de montage
- Manuel de Référence

Alimentation CA

Cet appareil est doté d'une alimentation universelle prenant en charge toute tension d'entrée comprise entre 100 et 240 VCA, 50/60 Hz.

Prise CA

Connexion	Câble (États-Unis)	Câble (Europe)	Couleur de la vis
Conducteur CA	Noir	Marron	Jaune/Cuivré
Neutre CA	Blanc	Bleu	Argenté
Terre CA	Vert/Jaune	Vert/Jaune	Vert



Durant les périodes de non-utilisation, pour éviter toute usure inutile et pour prolonger la durée de vie, déconnectez-entièrement l'appareil en le débranchant de l'alimentation électrique ou en coupant le disjoncteur.

Connexion Électrique

Vous pouvez connecter jusqu'à 3 Rogue Outcast 1 Beam Wash à 100 V, 4 unités à 120 V, 7 unités à 208 V, 7 unités à 230 V ou 8 unités à 240 V. Vous pouvez vous procurer séparément des cordons d'alimentation.

Remplacement du Fusible

1. Débranchez l'appareil de l'alimentation.
2. À l'aide d'un tournevis à tête plate, dévissez le couvercle du porte-fusible du boîtier.
3. Retirez le fusil obsolète et remplacez-le par un fusible en bon état de même type et ampérage.
4. Revissez le couvercle du porte-fusible et rebranchez l'unité.

Raccordement DMX

Le Rogue Outcast 1 Beam Wash fonctionnera avec une console DMX au moyen d'une connexion série DMX à 5 broches. Une introduction au DMX est à votre disposition sur www.chauvetprofessional.com.

Connexion DMX

Le Rogue Outcast 1 Beam Wash utilise une connexion de données DMX standard pour ses personnalités DMX : **15Ch**, **24Ch**, **30Ch**, **64Ch**, **111Ch** et **135Ch**. Consultez le Manuel d'Utilisation pour connecter et configurer le système DMX.

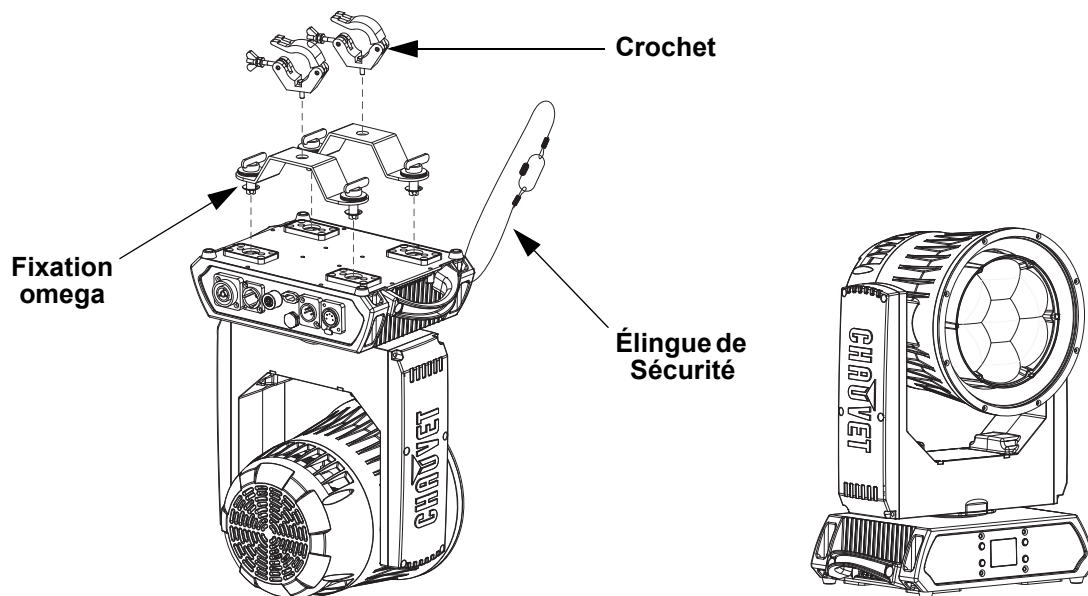
RDM (Gestion des périphériques à distance)

Le protocole RDM (gestion des périphériques à distance) est un standard pour la communication bidirectionnelle des appareils dotés de fonctions DMX dans un câblage DMX existant. Le Rogue Outcast 1 Beam Wash supporte le protocole RDM permettant un retour d'information pour la surveillance et des changements des options de menu. Veuillez télécharger le manuel de l'utilisateur à partir du site internet www.chauvetprofessional.com pour plus de détails.

Installation

Avant de monter cet appareil, lisez et assimilez les [Consignes de Sécurité](#). Utilisez au moins deux points de fixation par appareil. Soyez sûr que les crochets sont capables de supporter le poids du produit. Pour voir notre gamme de crochets, rendez-vous sur <http://trusst.com/productcategory/truss-clamps>.

Schéma de Montage de l'Appareil



Montage en Hauteur

Montage au Sol

Description du Tableau de Commandes

Bouton	Fonction
<MENU>	Permet la sortie du menu ou de la fonction en cours
<ENTER>	Permet l'affichage du menu en cours ou permet de configurer la valeur en cours dans la fonction sélectionnée
<UP>	Parcourir les listes ou les menus vers le haut, ou dans une fonction augmenter les valeurs numériques
<DOWN>	Parcourir les listes ou les menus vers le bas, ou dans une fonction diminuer les valeurs numériques

Plan du Menu

Reportez-vous à la page du produit Rogue Outcast 1 Beam Wash sur www.chauvetprofessional.com pour la dernière carte des menu.

Menu Principal	Niveaux de Programmation		Description
Address	001-497		Définir l'adresse de départ
	DMX	15CH	Sélectionne le personnalité DMX
		24CH	
		30CH	
		64CH	
		111CH	
		135CH	
	Auto Test		Teste toutes les fonctions automatiquement
Run Mode	Manual Test	Pan	0-255
		Tilt	
		Dimmer	
		Shutter	
		Red 1	
		Green 1	
		Blue 1	
		Red 2	
		Green 2	
		Blue 2	
		Red 3	
		Green 3	
		Blue 3	
		Red 4	
		Green 4	
		Blue 4	
		Red 5	
		Green 5	
		Blue 5	
		Red 6	
		Green 6	
		Blue 6	
		Red 7	
		Green 7	
		Blue 7	
		Red 8	
		Green 8	
		Blue 8	
		Red 9	
		Green 9	
		Blue 9	
		Red 10	
		Green 10	
Blue 10			
Red 11			
Green 11			
Blue 11			
Red 12			
Green 12			
Blue 12			
Red 13			
Green 13			
Blue 13			
White 13			
Zoom			

Menu Principal	Niveaux de Programmation		Description	
Setup	Pan Reverse	OFF	Fonctionnement normal du pan	
		ON	Fonctionnement inversé du pan	
	Tilt Reverse	OFF	Fonctionnement normal du tilt	
		ON	Fonctionnement inversé du tilt	
	Pan Angle	540	Plage d'angle de pan : 540°	
		360	Plage d'angle de pan : 360°	
		180	Plage d'angle de pan : 180°	
	Tilt Angle	260	Plage d'angle de tilt : 260°	
		180	Plage d'angle de tilt : 180°	
		90	Plage d'angle de tilt : 90°	
	Fans	Auto	La vitesse du ventilateur s'adapte à la température de l'appareil	
		Full	La vitesse du ventilateur est haute	
		ECO	Mode silencieux	
	Display	OFF	L'affichage s'éteint après un délai	
		ON	L'affichage reste allumé	
	Screen Rev	OFF	L'écran s'affiche à normal	
		ON	L'écran s'affiche à l'envers	
	Dimmer Curve	Linear	Définir la courbe de gradation	
		Square		
		I Squa		
		SCurve		
	Dimmer Speed	Smooth	Définir la vitesse de gradation	
		Fast		
	PWM Option	600Hz	Permet de sélectionner la fréquence de sortie MLI	
		1200Hz		
		2000Hz		
		4000Hz		
15000Hz				
LED R POWER	050-100	Règle la puissance des LED rouges		
LED G POWER	050-100	Définit la puissance des LED verts		
LED B POWER	050-100	Règle la puissance des LED bleus		
LED W POWER	050-100	Règle la puissance des LED blanches		
White Mode	On		Calibre le blanc à 7500K	
	Off		Utilise les valeurs de sortie maximales	
	Custom	RED	000-255	Définit la valeur maximale de LED rouge
		GREEN		Définit la valeur maximale de LED verte
		BLUE		Définit la valeur maximale de LED bleue
WHITE		Définit la valeur maximale de LED blanc		
Color Calibration	On		Utilise le paramétrage de blanc défini en usine	
	Off		Utilise les valeurs de sortie maximales	
	Custom	RED	100-255	Définit la valeur maximale de LED rouge
		GREEN		Définit la valeur maximale de LED verte
		BLUE		Définit la valeur maximale de LED bleue
USB Update	NO		Active/désactive mise à jour par USB	
	YES			
Reset Function	Pan/Tilt	NO/YES	Réinitialiser chaque fonction de manière individuelle ou toutes les fonctions à partir du démarrage	
	Zoom			
	All			
Factory Settings	YES		Réinitialisation aux paramètres par défaut d'usine	
	NO			

Menu Principal	Niveaux de Programmation		Description
Sys Info	Ver	V_ _ _	Affiche la version du micrologiciel
	Running Mode	_ _ _	Affiche le mode d'exécution actuel
	DMX Address	_ _ _	Affiche l'adresse de départ actuelle
	Temperature	_ _ C	Affiche la température actuelle en °C
	Fixture Time	_ _ _ _	Affiche le nombre d'heure pendant lequel l'appareil est resté allumé
	UID	_ _ _ _ _ _ _ _	Affiche l'UID du produit
	Head Fan1-6	_ _ _ _ _	Affiche la vitesse des ventilateurs de tête en tr/min

Valeurs DMX

Tableau des couleurs prédéfinies

Valeurs DMX	Fonction	Valeur rouge	Valeur vert	Valeur bleu	Valeur blanc
005 ⇔ 009	Couleur 1	000	000	000	255
010 ⇔ 014	Couleur 2	255	235	053	000
015 ⇔ 019	Couleur 3	214	134	048	000
020 ⇔ 024	Couleur 4	255	000	044	000
025 ⇔ 029	Couleur 5	255	059	113	000
030 ⇔ 034	Couleur 6	255	138	219	000
035 ⇔ 039	Couleur 7	226	175	226	000
040 ⇔ 044	Couleur 8	040	001	255	000
045 ⇔ 049	Couleur 9	000	000	255	000
050 ⇔ 054	Couleur 10	000	078	255	000
055 ⇔ 059	Couleur 11	000	199	255	000
060 ⇔ 064	Couleur 12	000	255	234	000
065 ⇔ 069	Couleur 13	149	246	255	000
070 ⇔ 074	Couleur 14	137	255	227	000
075 ⇔ 079	Couleur 15	213	220	222	000
080 ⇔ 084	Couleur 16	219	232	175	000
085 ⇔ 089	Couleur 17	205	255	199	000
090 ⇔ 094	Couleur 18	115	255	163	000
095 ⇔ 099	Couleur 19	006	255	143	000
100 ⇔ 104	Couleur 20	000	255	094	000
105 ⇔ 109	Couleur 21	029	255	000	000
110 ⇔ 114	Couleur 22	032	223	000	000
115 ⇔ 119	Couleur 23	075	255	000	000
120 ⇔ 124	Couleur 24	080	232	000	000
125 ⇔ 129	Couleur 25	108	226	000	000
130 ⇔ 134	Couleur 26	145	194	000	000
135 ⇔ 139	Couleur 27	210	255	000	000
140 ⇔ 144	Couleur 28	225	232	000	000
145 ⇔ 149	Couleur 29	023	215	000	000
150 ⇔ 154	Couleur 30	247	214	000	000
155 ⇔ 159	Couleur 31	255	163	000	000
160 ⇔ 164	Couleur 32	255	152	000	000
165 ⇔ 169	Couleur 33	255	108	000	000
170 ⇔ 174	Couleur 34	255	255	255	255

Tableau des couleurs d'arrière-plan

Valeurs DMX	Fonction	Valeur rouge	Valeur vert	Valeur bleu	Valeur blanc
001 ⇔ 002	Blanc 2700K	156	118	000	063
003 ⇔ 004	Blanc 3200K	156	141	005	089
005 ⇔ 006	Blanc 4200K	156	141	014	255
007 ⇔ 008	Blanc 5600K	156	207	054	255
009 ⇔ 010	Blanc 8000K	130	255	096	255
011	Bleu	000	000	255	000
012 ⇔ 048	Le vert augmente	000	001–254	255	000
049	Cyan	000	255	255	000
050 ⇔ 086	Le bleu diminue	000	255	254–001	000
87	Vert	000	255	000	000
088 ⇔ 124	Le rouge augmente	001–254	255	000	000
125	Jaune	255	255	000	000
126 ⇔ 162	Le vert diminue	255	254–001	000	000
163	Rouge	255	000	000	000
164 ⇔ 200	Le bleu augmente	255	000	001–254	000
201	Magenta	255	000	255	000
202 ⇔ 238	Le rouge diminue	254–001	000	255	000
239	Bleu	000	000	255	000

135CH

Canal	Fonction	Valeur	Pourcentage/Configuration
1	Pan	000 ⇔ 255	0–100%
2	Pan fin	000 ⇔ 255	Contrôle fin (16 bits)
3	Tilt	000 ⇔ 255	0–100%
4	Tilt fin	000 ⇔ 255	Contrôle fin (16 bits)
5	Vitesse de pan/tilt	000 ⇔ 255	Rapide à lent
6	CTC	000	Pas de fonction
		001 ⇔ 255	Température de couleur, 19000–2700K
7	Couleur prédéfinie de l'anneau	000 ⇔ 004	Pas de fonction
		005 ⇔ 174	Couleur 1–34 (voir Tableau des couleurs prédéfinies [pas de blanc])
		175 ⇔ 179	Pas de fonction
		180 ⇔ 201	Fondu de couleur, rapide à lent
		202 ⇔ 207	Arrête
		208 ⇔ 229	Fondu de couleur inverse, rapide à lent
		230 ⇔ 234	Pas de fonction
		235 ⇔ 249	Saut de couleur, rapide à lent
250 ⇔ 255	Pas de fonction		
8	Couleur prédéfinie de le centre	000 ⇔ 004	Pas de fonction
		005 ⇔ 174	Couleur 1–34 (voir Tableau des couleurs prédéfinies)
		175 ⇔ 179	Pas de fonction
		180 ⇔ 201	Fondu de couleur, rapide à lent
		202 ⇔ 207	Arrête
		208 ⇔ 229	Fondu de couleur inverse, rapide à lent
		230 ⇔ 234	Pas de fonction
		235 ⇔ 249	Saut de couleur, rapide à lent
250 ⇔ 255	Pas de fonction		
9	Motif	000	Pas de fonction
		001 ⇔ 255	Motif 1–255

Canal	Fonction	Valeur	Pourcentage/Configuration
10	Macro LED	000 ⇔ 005	Pas de fonction
		006 ⇔ 010	Macro LED 1
		011 ⇔ 015	Macro LED 2
		016 ⇔ 020	Macro LED 3
		021 ⇔ 025	Macro LED 4
		026 ⇔ 030	Macro LED 5
		031 ⇔ 035	Macro LED 6
		036 ⇔ 040	Macro LED 7
		041 ⇔ 045	Macro LED 8
		046 ⇔ 050	Macro LED 9
		051 ⇔ 055	Macro LED 10
		056 ⇔ 060	Macro LED 11
		061 ⇔ 065	Macro LED 12
		066 ⇔ 070	Macro LED 13
		071 ⇔ 075	Macro LED 14
		076 ⇔ 080	Macro LED 15
		081 ⇔ 085	Macro LED 16
		086 ⇔ 090	Macro LED 17
		091 ⇔ 095	Macro LED 18
		096 ⇔ 100	Macro LED 19
		101 ⇔ 105	Macro LED 20
		106 ⇔ 110	Macro LED 21
		111 ⇔ 115	Macro LED 22
		116 ⇔ 120	Macro LED 23
		121 ⇔ 125	Macro LED 24
		126 ⇔ 130	Macro LED 25
		131 ⇔ 135	Macro LED 26
		136 ⇔ 140	Macro LED 27
		141 ⇔ 145	Macro LED 28
		146 ⇔ 150	Macro LED 29
		151 ⇔ 155	Macro LED 30
		156 ⇔ 160	Macro LED 31
		161 ⇔ 165	Macro LED 32
		166 ⇔ 170	Macro LED 33
171 ⇔ 175	Macro LED 34		
176 ⇔ 180	Macro LED 35		
181 ⇔ 185	Macro LED 36		
186 ⇔ 190	Macro LED 37		
191 ⇔ 195	Macro LED 38		
199 ⇔ 200	Macro LED 39		
201 ⇔ 205	Macro LED 40		
206 ⇔ 210	Macro LED 41		
211 ⇔ 215	Macro LED 42		
216 ⇔ 255	Pas de fonction		
11	Vitesse LED macro	000 ⇔ 127 128 129 ⇔ 255	Vitesse LED macro, rapide à lent Arrête Macro LED inverse, rapide à lent
12	Macro LED de retard	000 ⇔ 255	Macro LED de retard, rapide à lent
13	Couleur d'arrière-plan	000	Pas de fonction
		001 ⇔ 239	Couleurs d'arrière plan (voir Tableau des couleurs d'arrière-plan)
		240 ⇔ 247 248 ⇔ 255	Fondu de couleur, rapide à lent Saut de couleur, rapide à lent
14	Gradateur d'arrière plan	000 ⇔ 255	0–100%
15	Grad. fin d'arrière plan	000 ⇔ 255	Contrôle fin (16 bits)
16	Maître gradateur	000 ⇔ 255	0–100%
17	Maître gradateur fin	000 ⇔ 255	Contrôle fin (16 bits)

Canal	Fonction	Valeur	Pourcentage/Configuration
18	Stroboscope de l'anneau	000 ⇔ 019	Éteindre
		020 ⇔ 024	Allumé
		025 ⇔ 069	Stroboscope, rapide à lent
		070 ⇔ 089	Stroboscope à évanouissement 100–0%, rapide à lent
		090 ⇔ 109	Stroboscope à évanouissement 0–100%, rapide à lent
		110 ⇔ 129	Stroboscope aléatoire, rapide à lent
		130 ⇔ 149	Stroboscope à évanouissement aléatoire 100–0%, rapide à lent
		150 ⇔ 169	Stroboscope à évanouissement aléatoire 0–100%, rapide à lent
		170 ⇔ 189	Stroboscope à impulsions, rapide à lent
		190 ⇔ 209	Stroboscope à impulsions aléatoires, rapide à lent
		210 ⇔ 229	Stroboscope à évanouissement 100–0–100%, rapide à lent
		230 ⇔ 244	Stroboscope à impulsions aléatoires, rapide à lent
		245 ⇔ 255	Allumé
19	Stroboscope de le centre	000 ⇔ 019	Éteindre
		020 ⇔ 024	Allumé
		025 ⇔ 069	Stroboscope, rapide à lent
		070 ⇔ 089	Stroboscope à évanouissement 100–0%, rapide à lent
		090 ⇔ 109	Stroboscope à évanouissement 0–100%, rapide à lent
		110 ⇔ 129	Stroboscope aléatoire, rapide à lent
		130 ⇔ 149	Stroboscope à évanouissement aléatoire 100–0%, rapide à lent
		150 ⇔ 169	Stroboscope à évanouissement aléatoire 0–100%, rapide à lent
		170 ⇔ 189	Stroboscope à impulsions, rapide à lent
		190 ⇔ 209	Stroboscope à impulsions aléatoires, rapide à lent
20	Zoom	210 ⇔ 229	Stroboscope à évanouissement 100–0–100%, rapide à lent
		230 ⇔ 244	Stroboscope à impulsions aléatoires, rapide à lent
21	Contrôle (*Active en 5 secondes)	245 ⇔ 255	Allumé
		000 ⇔ 255	Zoom avant à zoom arrière
		000 ⇔ 009	Pas de fonction
		010 ⇔ 014	Faire le noir pendant pan/tilt
		015 ⇔ 029	Réservé pour une utilisation future
		030 ⇔ 034	Synchronisez les LED annulaires et les LED centrales*
		035 ⇔ 039	Désynchronisez les LED annulaires et les LED centrales*
		040 ⇔ 044	Ventilateur de dégivrage activé
		045 ⇔ 049	Ventilateur de dégivrage éteint
		050 ⇔ 054	Réinitialisation pan*
		055 ⇔ 059	Réinitialisation tilt*
		060 ⇔ 064	Réinitialisation zoom
		065 ⇔ 069	Réservé pour une utilisation future
		050 ⇔ 074	Tout réinitialiser*
		075 ⇔ 119	Réservé pour une utilisation future
		120 ⇔ 124	Ventilateur en mode ECO*
		125 ⇔ 129	Vitesse maximale ventilateur*
		130 ⇔ 134	Ventilateur automatique*
		135 ⇔ 139	Gradation rapide*
		140 ⇔ 144	Gradation lisse*
		145 ⇔ 149	Courbe de gradateur linéaire
		150 ⇔ 154	Courbe de gradation carrée
		155 ⇔ 159	Courbe de gradation carrée inverse
		160 ⇔ 164	Courbe de gradateur courbe S
		165 ⇔ 169	Mode BLANC
		170 ⇔ 174	Mode FULL
		175 ⇔ 179	Calibrage d'une seule couleur désactivé
180 ⇔ 184	Calibrage d'une seule couleur activé		
185 ⇔ 239	Pas de fonction		
240 ⇔ 247	Calibrage activé		
248 ⇔ 255	Calibrage désactivé		
22	Rouge	000 ⇔ 255	0–100%

Canal	Fonction	Valeur	Pourcentage/Configuration
23	Rouge fin	000 ⇔ 255	Contrôle fin (16 bits)
24	Vert	000 ⇔ 255	0-100%
25	Vert fin	000 ⇔ 255	Contrôle fin (16 bits)
26	Bleu	000 ⇔ 255	0-100%
27	Bleu fin	000 ⇔ 255	Contrôle fin (16 bits)
28	Blanc	000 ⇔ 255	0-100%
29	Blanc fin	000 ⇔ 255	Contrôle fin (16 bits)
30	Gradateur 1	000 ⇔ 255	0-100%
31	Gradateur fin 1	000 ⇔ 255	Contrôle fin (16 bits)
32	Rouge 1	000 ⇔ 255	0-100%
33	Rouge fin 1	000 ⇔ 255	Contrôle fin (16 bits)
34	Vert 1	000 ⇔ 255	0-100%
35	Vert fin 1	000 ⇔ 255	Contrôle fin (16 bits)
36	Bleu 11	000 ⇔ 255	0-100%
37	Bleu fin 1	000 ⇔ 255	Contrôle fin (16 bits)
38	Gradateur 2	000 ⇔ 255	0-100%
39	Gradateur fin 2	000 ⇔ 255	Contrôle fin (16 bits)
40	Rouge 2	000 ⇔ 255	0-100%
41	Rouge fin 2	000 ⇔ 255	Contrôle fin (16 bits)
42	Vert 2	000 ⇔ 255	0-100%
43	Vert fin 2	000 ⇔ 255	Contrôle fin (16 bits)
44	Bleu 2	000 ⇔ 255	0-100%
45	Bleu fin 2	000 ⇔ 255	Contrôle fin (16 bits)
46	Gradateur 3	000 ⇔ 255	0-100%
47	Gradateur fin 3	000 ⇔ 255	Contrôle fin (16 bits)
48	Rouge 3	000 ⇔ 255	0-100%
49	Rouge fin 3	000 ⇔ 255	Contrôle fin (16 bits)
50	Vert 3	000 ⇔ 255	0-100%
51	Vert fin 3	000 ⇔ 255	Contrôle fin (16 bits)
52	Bleu 3	000 ⇔ 255	0-100%
53	Bleu fin 3	000 ⇔ 255	Contrôle fin (16 bits)
54	Gradateur 4	000 ⇔ 255	0-100%
55	Gradateur fin 4	000 ⇔ 255	Contrôle fin (16 bits)
56	Rouge 4	000 ⇔ 255	0-100%
57	Rouge fin 4	000 ⇔ 255	Contrôle fin (16 bits)
58	Vert 4	000 ⇔ 255	0-100%
59	Vert fin 4	000 ⇔ 255	Contrôle fin (16 bits)
60	Bleu 4	000 ⇔ 255	0-100%
61	Bleu fin 4	000 ⇔ 255	Contrôle fin (16 bits)
62	Gradateur 5	000 ⇔ 255	0-100%
63	Gradateur fin 5	000 ⇔ 255	Contrôle fin (16 bits)
64	Rouge 5	000 ⇔ 255	0-100%
65	Rouge fin 5	000 ⇔ 255	Contrôle fin (16 bits)
66	Vert 5	000 ⇔ 255	0-100%
67	Vert fin 5	000 ⇔ 255	Contrôle fin (16 bits)
68	Bleu 5	000 ⇔ 255	0-100%
69	Bleu fin 5	000 ⇔ 255	Contrôle fin (16 bits)
70	Gradateur 6	000 ⇔ 255	0-100%
71	Gradateur fin 6	000 ⇔ 255	Contrôle fin (16 bits)
72	Rouge 6	000 ⇔ 255	0-100%
73	Rouge fin 6	000 ⇔ 255	Contrôle fin (16 bits)
74	Vert 6	000 ⇔ 255	0-100%
75	Vert fin 6	000 ⇔ 255	Contrôle fin (16 bits)
76	Bleu 6	000 ⇔ 255	0-100%
77	Bleu fin 6	000 ⇔ 255	Contrôle fin (16 bits)
78	Gradateur 7	000 ⇔ 255	0-100%
79	Gradateur fin 7	000 ⇔ 255	Contrôle fin (16 bits)

Canal	Fonction	Valeur	Pourcentage/Configuration
80	Rouge 7	000 ⇔ 255	0–100%
81	Rouge fin 7	000 ⇔ 255	Contrôle fin (16 bits)
82	Vert 7	000 ⇔ 255	0–100%
83	Vert fin 7	000 ⇔ 255	Contrôle fin (16 bits)
84	Bleu 7	000 ⇔ 255	0–100%
85	Bleu fin 7	000 ⇔ 255	Contrôle fin (16 bits)
86	Gradateur 8	000 ⇔ 255	0–100%
87	Gradateur fin 8	000 ⇔ 255	Contrôle fin (16 bits)
88	Rouge 8	000 ⇔ 255	0–100%
89	Rouge fin 8	000 ⇔ 255	Contrôle fin (16 bits)
90	Vert 8	000 ⇔ 255	0–100%
91	Vert fin 8	000 ⇔ 255	Contrôle fin (16 bits)
92	Bleu 8	000 ⇔ 255	0–100%
93	Bleu fin 8	000 ⇔ 255	Contrôle fin (16 bits)
94	Gradateur 9	000 ⇔ 255	0–100%
95	Gradateur fin 9	000 ⇔ 255	Contrôle fin (16 bits)
96	Rouge 9	000 ⇔ 255	0–100%
97	Rouge fin 9	000 ⇔ 255	Contrôle fin (16 bits)
98	Vert 9	000 ⇔ 255	0–100%
99	Vert fin 9	000 ⇔ 255	Contrôle fin (16 bits)
100	Bleu 9	000 ⇔ 255	0–100%
101	Bleu fin 9	000 ⇔ 255	Contrôle fin (16 bits)
102	Gradateur 10	000 ⇔ 255	0–100%
103	Gradateur fin 10	000 ⇔ 255	Contrôle fin (16 bits)
104	Rouge 10	000 ⇔ 255	0–100%
105	Rouge fin 10	000 ⇔ 255	Contrôle fin (16 bits)
106	Vert 10	000 ⇔ 255	0–100%
107	Vert fin 10	000 ⇔ 255	Contrôle fin (16 bits)
108	Bleu 10	000 ⇔ 255	0–100%
109	Bleu fin 10	000 ⇔ 255	Contrôle fin (16 bits)
110	Gradateur 11	000 ⇔ 255	0–100%
111	Gradateur fin 11	000 ⇔ 255	Contrôle fin (16 bits)
112	Rouge 11	000 ⇔ 255	0–100%
113	Rouge fin 11	000 ⇔ 255	Contrôle fin (16 bits)
114	Vert 11	000 ⇔ 255	0–100%
115	Vert fin 11	000 ⇔ 255	Contrôle fin (16 bits)
116	Bleu 11	000 ⇔ 255	0–100%
117	Bleu fin 11	000 ⇔ 255	Contrôle fin (16 bits)
118	Gradateur 12	000 ⇔ 255	0–100%
119	Gradateur fin 12	000 ⇔ 255	Contrôle fin (16 bits)
120	Rouge 12	000 ⇔ 255	0–100%
121	Rouge fin 12	000 ⇔ 255	Contrôle fin (16 bits)
122	Vert 12	000 ⇔ 255	0–100%
123	Vert fin 12	000 ⇔ 255	Contrôle fin (16 bits)
124	Bleu 12	000 ⇔ 255	0–100%
125	Bleu fin 12	000 ⇔ 255	Contrôle fin (16 bits)
126	Gradateur de le centre	000 ⇔ 255	0–100%
127	Grad. fin de le centre	000 ⇔ 255	Contrôle fin (16 bits)
128	Rouge de le centre	000 ⇔ 255	0–100%
129	Rouge fin de le centre	000 ⇔ 255	Contrôle fin (16 bits)
130	Vert de le centre	000 ⇔ 255	0–100%
131	Vert fin de le centre	000 ⇔ 255	Contrôle fin (16 bits)
132	Bleu de le centre	000 ⇔ 255	0–100%
133	Bleu fin de le centre	000 ⇔ 255	Contrôle fin (16 bits)
134	Blanc de le centre	000 ⇔ 255	0–100%
135	Blanc fin de le centre	000 ⇔ 255	Contrôle fin (16 bits)

111CH

Canal	Fonction	Valeur	Pourcentage/Configuration
1	Pan	000 ⇔ 255	0–100%
2	Pan fin	000 ⇔ 255	Contrôle fin (16 bits)
3	Tilt	000 ⇔ 255	0–100%
4	Tilt fin	000 ⇔ 255	Contrôle fin (16 bits)
5	Vitesse de pan/tilt	000 ⇔ 255	Rapide à lent
6	CTC	000	Pas de fonction
		001 ⇔ 255	Température de couleur, 19000–2700K
7	Couleur prédéfinie de l'anneau	000 ⇔ 004	Pas de fonction
		005 ⇔ 174	Couleur 1–34 (voir Tableau des couleurs prédéfinies [pas de blanc])
		175 ⇔ 179	Pas de fonction
		180 ⇔ 201	Fondu de couleur, rapide à lent
		202 ⇔ 207	Arrête
		208 ⇔ 229	Fondu de couleur inverse, rapide à lent
		230 ⇔ 234	Pas de fonction
		235 ⇔ 249	Saut de couleur, rapide à lent
250 ⇔ 255	Pas de fonction		
8	Couleur prédéfinie de le centre	000 ⇔ 004	Pas de fonction
		005 ⇔ 174	Couleur 1–34 (voir Tableau des couleurs prédéfinies)
		175 ⇔ 179	Pas de fonction
		180 ⇔ 201	Fondu de couleur, rapide à lent
		202 ⇔ 207	Arrête
		208 ⇔ 229	Fondu de couleur inverse, rapide à lent
		230 ⇔ 234	Pas de fonction
		235 ⇔ 249	Saut de couleur, rapide à lent
250 ⇔ 255	Pas de fonction		
9	Motif	000	Pas de fonction
		001 ⇔ 255	Motif 1–255

Canal	Fonction	Valeur	Pourcentage/Configuration
10	Macro LED	000 ⇔ 005	Pas de fonction
		006 ⇔ 010	Macro LED 1
		011 ⇔ 015	Macro LED 2
		016 ⇔ 020	Macro LED 3
		021 ⇔ 025	Macro LED 4
		026 ⇔ 030	Macro LED 5
		031 ⇔ 035	Macro LED 6
		036 ⇔ 040	Macro LED 7
		041 ⇔ 045	Macro LED 8
		046 ⇔ 050	Macro LED 9
		051 ⇔ 055	Macro LED 10
		056 ⇔ 060	Macro LED 11
		061 ⇔ 065	Macro LED 12
		066 ⇔ 070	Macro LED 13
		071 ⇔ 075	Macro LED 14
		076 ⇔ 080	Macro LED 15
		081 ⇔ 085	Macro LED 16
		086 ⇔ 090	Macro LED 17
		091 ⇔ 095	Macro LED 18
		096 ⇔ 100	Macro LED 19
		101 ⇔ 105	Macro LED 20
		106 ⇔ 110	Macro LED 21
		111 ⇔ 115	Macro LED 22
		116 ⇔ 120	Macro LED 23
		121 ⇔ 125	Macro LED 24
		126 ⇔ 130	Macro LED 25
		131 ⇔ 135	Macro LED 26
		136 ⇔ 140	Macro LED 27
		141 ⇔ 145	Macro LED 28
		146 ⇔ 150	Macro LED 29
		151 ⇔ 155	Macro LED 30
		156 ⇔ 160	Macro LED 31
161 ⇔ 165	Macro LED 32		
166 ⇔ 170	Macro LED 33		
171 ⇔ 175	Macro LED 34		
176 ⇔ 180	Macro LED 35		
181 ⇔ 185	Macro LED 36		
186 ⇔ 190	Macro LED 37		
191 ⇔ 195	Macro LED 38		
199 ⇔ 200	Macro LED 39		
201 ⇔ 205	Macro LED 40		
206 ⇔ 210	Macro LED 41		
211 ⇔ 215	Macro LED 42		
216 ⇔ 255	Pas de fonction		
11	Vitesse LED macro	000 ⇔ 127 128 129 ⇔ 255	Vitesse LED macro, rapide à lent Arrête Macro LED inverse, rapide à lent
12	Macro LED de retard	000 ⇔ 255	Macro LED de retard, rapide à lent
13	Couleur d'arrière-plan	000	Pas de fonction
		001 ⇔ 239	Couleurs d'arrière plan (voir Tableau des couleurs d'arrière-plan)
		240 ⇔ 247 248 ⇔ 255	Fondu de couleur, rapide à lent Saut de couleur, rapide à lent
14	Gradateur d'arrière plan	000 ⇔ 255	0–100%
15	Grad. fin d'arrière plan	000 ⇔ 255	0–100%
16	Gradateur de l'anneau	000 ⇔ 255	0–100%
17	Grad. fin de l'anneau	000 ⇔ 255	Contrôle fin (16 bits)
18	Gradateur de le centre	000 ⇔ 255	0–100%

Canal	Fonction	Valeur	Pourcentage/Configuration
19	Grad. fin de le centre	000 ⇔ 255	Contrôle fin (16 bits)
20	Stroboscope de l'anneau	000 ⇔ 019	Éteindre
		020 ⇔ 024	Allumé
		025 ⇔ 069	Stroboscope, rapide à lent
		070 ⇔ 089	Stroboscope à évanouissement 100–0%, rapide à lent
		090 ⇔ 109	Stroboscope à évanouissement 0–100%, rapide à lent
		110 ⇔ 129	Stroboscope aléatoire, rapide à lent
		130 ⇔ 149	Stroboscope à évanouissement aléatoire 100–0%, rapide à lent
		150 ⇔ 169	Stroboscope à évanouissement aléatoire 0–100%, rapide à lent
		170 ⇔ 189	Stroboscope à impulsions, rapide à lent
		190 ⇔ 209	Stroboscope à impulsions aléatoires, rapide à lent
		210 ⇔ 229	Stroboscope à évanouissement 100–0–100%, rapide à lent
		230 ⇔ 244	Stroboscope à impulsions aléatoires, rapide à lent
		245 ⇔ 255	Allumé
21	Stroboscope de le centre	000 ⇔ 019	Éteindre
		020 ⇔ 024	Allumé
		025 ⇔ 069	Stroboscope, rapide à lent
		070 ⇔ 089	Stroboscope à évanouissement 100–0%, rapide à lent
		090 ⇔ 109	Stroboscope à évanouissement 0–100%, rapide à lent
		110 ⇔ 129	Stroboscope aléatoire, rapide à lent
		130 ⇔ 149	Stroboscope à évanouissement aléatoire 100–0%, rapide à lent
		150 ⇔ 169	Stroboscope à évanouissement aléatoire 0–100%, rapide à lent
		170 ⇔ 189	Stroboscope à impulsions, rapide à lent
		190 ⇔ 209	Stroboscope à impulsions aléatoires, rapide à lent
		210 ⇔ 229	Stroboscope à évanouissement 100–0–100%, rapide à lent
		230 ⇔ 244	Stroboscope à impulsions aléatoires, rapide à lent
		245 ⇔ 255	Allumé
22	Zoom	000 ⇔ 255	Zoom avant à zoom arrière
23	Contrôle (*Active en 5 secondes)	000 ⇔ 009	Pas de fonction
		010 ⇔ 014	Faire le noir pendant pan/tilt
		015 ⇔ 029	Réservé pour une utilisation future
		030 ⇔ 034	Synchronisez les LED annulaires et les LED centrales*
		035 ⇔ 039	Désynchronisez les LED annulaires et les LED centrales*
		040 ⇔ 044	Ventilateur de dégivrage activé
		045 ⇔ 049	Ventilateur de dégivrage éteint
		050 ⇔ 054	Réinitialisation pan*
		055 ⇔ 059	Réinitialisation tilt*
		060 ⇔ 064	Réinitialisation zoom
		065 ⇔ 069	Réservé pour une utilisation future
		070 ⇔ 074	Tout réinitialiser*
		075 ⇔ 119	Réservé pour une utilisation future
		120 ⇔ 124	Ventilateur en mode ECO*
		125 ⇔ 129	Vitesse maximale ventilateur*
		130 ⇔ 134	Ventilateur automatique*
		135 ⇔ 139	Gradation rapide*
		140 ⇔ 144	Gradation lisse*
		145 ⇔ 149	Courbe de gradateur linéaire
		150 ⇔ 154	Courbe de gradation carrée
		155 ⇔ 159	Courbe de gradation carrée inverse
		160 ⇔ 164	Courbe de gradateur courbe S
		165 ⇔ 169	Mode BLANC
		170 ⇔ 174	Mode FULL
		175 ⇔ 179	Calibrage d'une seule couleur désactivé
		180 ⇔ 184	Calibrage d'une seule couleur activé
		185 ⇔ 239	Pas de fonction
		240 ⇔ 247	Calibrage activé
		248 ⇔ 255	Calibrage désactivé

Canal	Fonction	Valeur	Pourcentage/Configuration
24	Rouge	000 ⇔ 255	0–100%
25	Rouge fin	000 ⇔ 255	Contrôle fin (16 bits)
26	Vert	000 ⇔ 255	0–100%
27	Vert fin	000 ⇔ 255	Contrôle fin (16 bits)
28	Bleu	000 ⇔ 255	0–100%
29	Bleu fin	000 ⇔ 255	Contrôle fin (16 bits)
30	Blanc	000 ⇔ 255	0–100%
31	Blanc fin	000 ⇔ 255	Contrôle fin (16 bits)
32	Rouge 1	000 ⇔ 255	0–100%
33	Rouge fin 1	000 ⇔ 255	Contrôle fin (16 bits)
34	Vert 1	000 ⇔ 255	0–100%
35	Vert fin 1	000 ⇔ 255	Contrôle fin (16 bits)
36	Bleu 1	000 ⇔ 255	0–100%
37	Bleu fin 1	000 ⇔ 255	Contrôle fin (16 bits)
38	Rouge 2	000 ⇔ 255	0–100%
39	Rouge fin 2	000 ⇔ 255	Contrôle fin (16 bits)
40	Vert 2	000 ⇔ 255	0–100%
41	Vert fin 2	000 ⇔ 255	Contrôle fin (16 bits)
42	Bleu 2	000 ⇔ 255	0–100%
43	Bleu fin 2	000 ⇔ 255	Contrôle fin (16 bits)
44	Rouge 3	000 ⇔ 255	0–100%
45	Rouge fin 3	000 ⇔ 255	Contrôle fin (16 bits)
46	Vert 3	000 ⇔ 255	0–100%
47	Vert fin 3	000 ⇔ 255	Contrôle fin (16 bits)
48	Bleu 3	000 ⇔ 255	0–100%
49	Bleu fin 3	000 ⇔ 255	Contrôle fin (16 bits)
50	Rouge 4	000 ⇔ 255	0–100%
51	Rouge fin 4	000 ⇔ 255	Contrôle fin (16 bits)
52	Vert 4	000 ⇔ 255	0–100%
53	Vert fin 4	000 ⇔ 255	Contrôle fin (16 bits)
54	Bleu 4	000 ⇔ 255	0–100%
55	Bleu fin 4	000 ⇔ 255	Contrôle fin (16 bits)
56	Rouge 5	000 ⇔ 255	0–100%
57	Rouge fin 5	000 ⇔ 255	Contrôle fin (16 bits)
58	Vert 5	000 ⇔ 255	0–100%
59	Vert fin 5	000 ⇔ 255	Contrôle fin (16 bits)
60	Bleu 5	000 ⇔ 255	0–100%
61	Bleu fin 5	000 ⇔ 255	Contrôle fin (16 bits)
62	Rouge 6	000 ⇔ 255	0–100%
63	Rouge fin 6	000 ⇔ 255	Contrôle fin (16 bits)
64	Vert 6	000 ⇔ 255	0–100%
65	Vert fin 6	000 ⇔ 255	Contrôle fin (16 bits)
66	Bleu 6	000 ⇔ 255	0–100%
67	Bleu fin 6	000 ⇔ 255	Contrôle fin (16 bits)
68	Rouge 7	000 ⇔ 255	0–100%
69	Rouge fin 7	000 ⇔ 255	Contrôle fin (16 bits)
70	Vert 7	000 ⇔ 255	0–100%
71	Vert fin 7	000 ⇔ 255	Contrôle fin (16 bits)
72	Bleu 7	000 ⇔ 255	0–100%
73	Bleu fin 7	000 ⇔ 255	Contrôle fin (16 bits)
74	Rouge 8	000 ⇔ 255	0–100%
75	Rouge fin 8	000 ⇔ 255	Contrôle fin (16 bits)
76	Vert 8	000 ⇔ 255	0–100%
77	Vert fin 8	000 ⇔ 255	Contrôle fin (16 bits)
78	Bleu 8	000 ⇔ 255	0–100%
79	Bleu fin 8	000 ⇔ 255	Contrôle fin (16 bits)
80	Rouge 9	000 ⇔ 255	0–100%

Canal	Fonction	Valeur	Pourcentage/Configuration
81	Rouge fin 9	000 ⇔ 255	Contrôle fin (16 bits)
82	Vert 9	000 ⇔ 255	0–100%
83	Vert fin 9	000 ⇔ 255	Contrôle fin (16 bits)
84	Bleu 9	000 ⇔ 255	0–100%
85	Bleu fin 9	000 ⇔ 255	Contrôle fin (16 bits)
86	Rouge 10	000 ⇔ 255	0–100%
87	Rouge fin 10	000 ⇔ 255	Contrôle fin (16 bits)
88	Vert 10	000 ⇔ 255	0–100%
89	Vert fin 10	000 ⇔ 255	Contrôle fin (16 bits)
90	Bleu 10	000 ⇔ 255	0–100%
91	Bleu fin 10	000 ⇔ 255	Contrôle fin (16 bits)
92	Rouge 11	000 ⇔ 255	0–100%
93	Rouge fin 11	000 ⇔ 255	Contrôle fin (16 bits)
94	Vert 11	000 ⇔ 255	0–100%
95	Vert fin 11	000 ⇔ 255	Contrôle fin (16 bits)
96	Bleu 11	000 ⇔ 255	0–100%
97	Bleu fin 11	000 ⇔ 255	Contrôle fin (16 bits)
98	Rouge 12	000 ⇔ 255	0–100%
99	Rouge fin 12	000 ⇔ 255	Contrôle fin (16 bits)
100	Vert 12	000 ⇔ 255	0–100%
101	Vert fin 12	000 ⇔ 255	Contrôle fin (16 bits)
102	Bleu 12	000 ⇔ 255	0–100%
103	Bleu fin 12	000 ⇔ 255	Contrôle fin (16 bits)
104	Rouge de le centre	000 ⇔ 255	0–100%
105	Rouge fin de le centre	000 ⇔ 255	Contrôle fin (16 bits)
106	Vert de le centre	000 ⇔ 255	0–100%
107	Vert fin de le centre	000 ⇔ 255	Contrôle fin (16 bits)
108	Bleu de le centre	000 ⇔ 255	0–100%
109	Bleu fin de le centre	000 ⇔ 255	Contrôle fin (16 bits)
110	Blanc de le centre	000 ⇔ 255	0–100%
111	Blanc fin de le centre	000 ⇔ 255	Contrôle fin (16 bits)

64CH

Canal	Fonction	Valeur	Pourcentage/Configuration
1	Pan	000 ⇔ 255	0–100%
2	Pan fin	000 ⇔ 255	Contrôle fin (16 bits)
3	Tilt	000 ⇔ 255	0–100%
4	Tilt fin	000 ⇔ 255	Contrôle fin (16 bits)
5	Vitesse de pan/tilt	000 ⇔ 255	Rapide à lent
6	CTC	000	Pas de fonction
		001 ⇔ 255	Température de couleur, 19000–2700K
		000 ⇔ 004	Pas de fonction
		005 ⇔ 174	Couleur 1–34 (voir Tableau des couleurs prédéfinies [pas de blanc])
		175 ⇔ 179	Pas de fonction
		180 ⇔ 201	Fondu de couleur, rapide à lent
		202 ⇔ 207	Arrête
		208 ⇔ 229	Fondu de couleur inverse, rapide à lent
		230 ⇔ 234	Pas de fonction
		235 ⇔ 249	Saut de couleur, rapide à lent
250 ⇔ 255	Pas de fonction		

Canal	Fonction	Valeur	Pourcentage/Configuration
8	Couleur prédéfinie de le centre	000 ⇔ 004	Pas de fonction
		005 ⇔ 174	Couleur 1–34 (voir Tableau des couleurs prédéfinies)
		175 ⇔ 179	Pas de fonction
		180 ⇔ 201	Fondu de couleur, rapide à lent
		202 ⇔ 207	Arrête
		208 ⇔ 229	Fondu de couleur inverse, rapide à lent
		230 ⇔ 234	Pas de fonction
		235 ⇔ 249	Saut de couleur, rapide à lent
		250 ⇔ 255	Pas de fonction
9	Motif	000	Pas de fonction
		001 ⇔ 255	Motif 1–255
10	Macro LED	000 ⇔ 005	Pas de fonction
		006 ⇔ 010	Macro LED 1
		011 ⇔ 015	Macro LED 2
		016 ⇔ 020	Macro LED 3
		021 ⇔ 025	Macro LED 4
		026 ⇔ 030	Macro LED 5
		031 ⇔ 035	Macro LED 6
		036 ⇔ 040	Macro LED 7
		041 ⇔ 045	Macro LED 8
		046 ⇔ 050	Macro LED 9
		051 ⇔ 055	Macro LED 10
		056 ⇔ 060	Macro LED 11
		061 ⇔ 065	Macro LED 12
		066 ⇔ 070	Macro LED 13
		071 ⇔ 075	Macro LED 14
		076 ⇔ 080	Macro LED 15
		081 ⇔ 085	Macro LED 16
		086 ⇔ 090	Macro LED 17
		091 ⇔ 095	Macro LED 18
		096 ⇔ 100	Macro LED 19
		101 ⇔ 105	Macro LED 20
		106 ⇔ 110	Macro LED 21
		111 ⇔ 115	Macro LED 22
		116 ⇔ 120	Macro LED 23
		121 ⇔ 125	Macro LED 24
		126 ⇔ 130	Macro LED 25
		131 ⇔ 135	Macro LED 26
		136 ⇔ 140	Macro LED 27
		141 ⇔ 145	Macro LED 28
		146 ⇔ 150	Macro LED 29
		151 ⇔ 155	Macro LED 30
		156 ⇔ 160	Macro LED 31
		161 ⇔ 165	Macro LED 32
		166 ⇔ 170	Macro LED 33
171 ⇔ 175	Macro LED 34		
176 ⇔ 180	Macro LED 35		
181 ⇔ 185	Macro LED 36		
186 ⇔ 190	Macro LED 37		
191 ⇔ 195	Macro LED 38		
199 ⇔ 200	Macro LED 39		
201 ⇔ 205	Macro LED 40		
206 ⇔ 210	Macro LED 41		
211 ⇔ 215	Macro LED 42		
216 ⇔ 255	Pas de fonction		

Canal	Fonction	Valeur	Pourcentage/Configuration
11	Vitesse LED macro	000 ⇔ 127	Vitesse LED macro, rapide à lent
		128	Arrête
		129 ⇔ 255	Macro LED inverse, rapide à lent
12	Macro LED de retard	000 ⇔ 255	Macro LED de retard, rapide à lent
13	Couleur d'arrière-plan	000	Pas de fonction
		001 ⇔ 239	Couleurs d'arrière plan (voir Tableau des couleurs d'arrière-plan)
		240 ⇔ 247	Fondu de couleur, rapide à lent
		248 ⇔ 255	Saut de couleur, rapide à lent
14	Gradateur d'arrière plan	000 ⇔ 255	0–100%
15	Gradateur de l'anneau	000 ⇔ 255	0–100%
16	Gradateur de le centre	000 ⇔ 255	0–100%
17	Stroboscope de l'anneau	000 ⇔ 019	Éteindre
		020 ⇔ 024	Allumé
		025 ⇔ 069	Stroboscope, rapide à lent
		070 ⇔ 089	Stroboscope à évanouissement 100–0%, rapide à lent
		090 ⇔ 109	Stroboscope à évanouissement 0–100%, rapide à lent
		110 ⇔ 129	Stroboscope aléatoire, rapide à lent
		130 ⇔ 149	Stroboscope à évanouissement aléatoire 100–0%, rapide à lent
		150 ⇔ 169	Stroboscope à évanouissement aléatoire 0–100%, rapide à lent
		170 ⇔ 189	Stroboscope à impulsions, rapide à lent
		190 ⇔ 209	Stroboscope à impulsions aléatoires, rapide à lent
		210 ⇔ 229	Stroboscope à évanouissement 100–0–100%, rapide à lent
		230 ⇔ 244	Stroboscope à impulsions aléatoires, rapide à lent
		245 ⇔ 255	Allumé
18	Stroboscope de le centre	000 ⇔ 019	Éteindre
		020 ⇔ 024	Allumé
		025 ⇔ 069	Stroboscope, rapide à lent
		070 ⇔ 089	Stroboscope à évanouissement 100–0%, rapide à lent
		090 ⇔ 109	Stroboscope à évanouissement 0–100%, rapide à lent
		110 ⇔ 129	Stroboscope aléatoire, rapide à lent
		130 ⇔ 149	Stroboscope à évanouissement aléatoire 100–0%, rapide à lent
		150 ⇔ 169	Stroboscope à évanouissement aléatoire 0–100%, rapide à lent
		170 ⇔ 189	Stroboscope à impulsions, rapide à lent
		190 ⇔ 209	Stroboscope à impulsions aléatoires, rapide à lent
		210 ⇔ 229	Stroboscope à évanouissement 100–0–100%, rapide à lent
		230 ⇔ 244	Stroboscope à impulsions aléatoires, rapide à lent
		245 ⇔ 255	Allumé
19	Zoom	000 ⇔ 255	Zoom avant à zoom arrière

Canal	Fonction	Valeur	Pourcentage/Configuration
20	Contrôle (*Active en 5 secondes)	000 ⇔ 009	Pas de fonction
		010 ⇔ 014	Faire le noir pendant pan/tilt
		015 ⇔ 029	Réservé pour une utilisation future
		030 ⇔ 034	Synchronisez les LED annulaires et les LED centrales*
		035 ⇔ 039	Désynchronisez les LED annulaires et les LED centrales*
		040 ⇔ 044	Ventilateur de dégivrage activé
		045 ⇔ 049	Ventilateur de dégivrage éteint
		050 ⇔ 054	Réinitialisation pan*
		055 ⇔ 059	Réinitialisation tilt*
		060 ⇔ 064	Réinitialisation zoom
		065 ⇔ 069	Réservé pour une utilisation future
		050 ⇔ 074	Tout réinitialiser*
		075 ⇔ 119	Réservé pour une utilisation future
		120 ⇔ 124	Ventilateur en mode ECO*
		125 ⇔ 129	Vitesse maximale ventilateur*
		130 ⇔ 134	Ventilateur automatique*
		135 ⇔ 139	Gradation rapide*
		140 ⇔ 144	Gradation lisse*
		145 ⇔ 149	Courbe de gradateur linéaire
		150 ⇔ 154	Courbe de gradation carrée
		155 ⇔ 159	Courbe de gradation carrée inverse
		160 ⇔ 164	Courbe de gradateur courbe S
		165 ⇔ 169	Mode BLANC
170 ⇔ 174	Mode FULL		
175 ⇔ 179	Calibrage d'une seule couleur désactivé		
180 ⇔ 184	Calibrage d'une seule couleur activé		
185 ⇔ 239	Pas de fonction		
240 ⇔ 247	Calibrage activé		
248 ⇔ 255	Calibrage désactivé		
21	Rouge	000 ⇔ 255	0–100%
22	Vert	000 ⇔ 255	0–100%
23	Bleu	000 ⇔ 255	0–100%
24	Blanc	000 ⇔ 255	0–100%
25	Rouge 1	000 ⇔ 255	0–100%
26	Vert 1	000 ⇔ 255	0–100%
27	Bleu 1	000 ⇔ 255	0–100%
28	Rouge 2	000 ⇔ 255	0–100%
29	Vert 2	000 ⇔ 255	0–100%
30	Bleu 2	000 ⇔ 255	0–100%
31	Rouge 3	000 ⇔ 255	0–100%
32	Vert 3	000 ⇔ 255	0–100%
33	Bleu 3	000 ⇔ 255	0–100%
34	Rouge 4	000 ⇔ 255	0–100%
35	Vert 4	000 ⇔ 255	0–100%
36	Bleu 4	000 ⇔ 255	0–100%
37	Rouge 5	000 ⇔ 255	0–100%
38	Vert 5	000 ⇔ 255	0–100%
39	Bleu 5	000 ⇔ 255	0–100%
40	Rouge 6	000 ⇔ 255	0–100%
41	Vert 6	000 ⇔ 255	0–100%
42	Bleu 6	000 ⇔ 255	0–100%
43	Rouge 7	000 ⇔ 255	0–100%
44	Vert 7	000 ⇔ 255	0–100%
45	Bleu 7	000 ⇔ 255	0–100%
46	Rouge 8	000 ⇔ 255	0–100%
47	Vert 8	000 ⇔ 255	0–100%
48	Bleu 8	000 ⇔ 255	0–100%

Canal	Fonction	Valeur	Pourcentage/Configuration
49	Rouge 9	000 ⇔ 255	0–100%
50	Vert 9	000 ⇔ 255	0–100%
51	Bleu 9	000 ⇔ 255	0–100%
52	Rouge 10	000 ⇔ 255	0–100%
53	Vert 10	000 ⇔ 255	0–100%
54	Bleu 10	000 ⇔ 255	0–100%
55	Rouge 11	000 ⇔ 255	0–100%
56	Vert 11	000 ⇔ 255	0–100%
57	Bleu 11	000 ⇔ 255	0–100%
58	Rouge 12	000 ⇔ 255	0–100%
59	Vert 12	000 ⇔ 255	0–100%
60	Bleu 12	000 ⇔ 255	0–100%
61	Rouge de le centre	000 ⇔ 255	0–100%
62	Vert de le centre	000 ⇔ 255	0–100%
63	Bleu de le centre	000 ⇔ 255	0–100%
64	Blanc de le centre	000 ⇔ 255	0–100%

30CH

Canal	Fonction	Valeur	Pourcentage/Configuration
1	Pan	000 ⇔ 255	0–100%
2	Pan fin	000 ⇔ 255	Contrôle fin (16 bits)
3	Tilt	000 ⇔ 255	0–100%
4	Tilt fin	000 ⇔ 255	Contrôle fin (16 bits)
5	Vitesse de pan/tilt	000 ⇔ 255	Rapide à lent
6	CTC	000	Pas de fonction
		001 ⇔ 255	Température de couleur, 19000–2700K
7	Couleur prédéfinie de l'anneau	000 ⇔ 004	Pas de fonction
		005 ⇔ 174	Couleur 1–34 (voir Tableau des couleurs prédéfinies [pas de blanc])
		175 ⇔ 179	Pas de fonction
		180 ⇔ 201	Fondu de couleur, rapide à lent
		202 ⇔ 207	Arrête
		208 ⇔ 229	Fondu de couleur inverse, rapide à lent
		230 ⇔ 234	Pas de fonction
		235 ⇔ 249	Saut de couleur, rapide à lent
		250 ⇔ 255	Pas de fonction
8	Couleur prédéfinie de le centre	000 ⇔ 004	Pas de fonction
		005 ⇔ 174	Couleur 1–34 (voir Tableau des couleurs prédéfinies)
		175 ⇔ 179	Pas de fonction
		180 ⇔ 201	Fondu de couleur, rapide à lent
		202 ⇔ 207	Arrête
		208 ⇔ 229	Fondu de couleur inverse, rapide à lent
		230 ⇔ 234	Pas de fonction
		235 ⇔ 249	Saut de couleur, rapide à lent
250 ⇔ 255	Pas de fonction		
9	Motif	000	Pas de fonction
		001 ⇔ 255	Motif 1–255

Canal	Fonction	Valeur	Pourcentage/Configuration
10	Macro LED	000 ⇔ 005	Pas de fonction
		006 ⇔ 010	Macro LED 1
		011 ⇔ 015	Macro LED 2
		016 ⇔ 020	Macro LED 3
		021 ⇔ 025	Macro LED 4
		026 ⇔ 030	Macro LED 5
		031 ⇔ 035	Macro LED 6
		036 ⇔ 040	Macro LED 7
		041 ⇔ 045	Macro LED 8
		046 ⇔ 050	Macro LED 9
		051 ⇔ 055	Macro LED 10
		056 ⇔ 060	Macro LED 11
		061 ⇔ 065	Macro LED 12
		066 ⇔ 070	Macro LED 13
		071 ⇔ 075	Macro LED 14
		076 ⇔ 080	Macro LED 15
		081 ⇔ 085	Macro LED 16
		086 ⇔ 090	Macro LED 17
		091 ⇔ 095	Macro LED 18
		096 ⇔ 100	Macro LED 19
		101 ⇔ 105	Macro LED 20
		106 ⇔ 110	Macro LED 21
		111 ⇔ 115	Macro LED 22
		116 ⇔ 120	Macro LED 23
		121 ⇔ 125	Macro LED 24
		126 ⇔ 130	Macro LED 25
		131 ⇔ 135	Macro LED 26
		136 ⇔ 140	Macro LED 27
		141 ⇔ 145	Macro LED 28
		146 ⇔ 150	Macro LED 29
		151 ⇔ 155	Macro LED 30
		156 ⇔ 160	Macro LED 31
161 ⇔ 165	Macro LED 32		
166 ⇔ 170	Macro LED 33		
171 ⇔ 175	Macro LED 34		
176 ⇔ 180	Macro LED 35		
181 ⇔ 185	Macro LED 36		
186 ⇔ 190	Macro LED 37		
191 ⇔ 195	Macro LED 38		
199 ⇔ 200	Macro LED 39		
201 ⇔ 205	Macro LED 40		
206 ⇔ 210	Macro LED 41		
211 ⇔ 215	Macro LED 42		
216 ⇔ 255	Pas de fonction		
11	Vitesse LED macro	000 ⇔ 127 128 129 ⇔ 255	Vitesse LED macro, rapide à lent Arrête Macro LED inverse, rapide à lent
12	Macro LED de retard	000 ⇔ 255	Macro LED de retard, rapide à lent
13	Couleur d'arrière-plan	000	Pas de fonction
		001 ⇔ 239	Couleurs d'arrière plan (voir Tableau des couleurs d'arrière-plan)
		240 ⇔ 247 248 ⇔ 255	Fondu de couleur, rapide à lent Saut de couleur, rapide à lent
14	Gradateur d'arrière plan	000 ⇔ 255	0–100%
15	Gradateur de l'anneau	000 ⇔ 255	0–100%
16	Grad. fin de l'anneau	000 ⇔ 255	Contrôle fin (16 bits)
17	Gradateur de le centre	000 ⇔ 255	0–100%
18	Grad. fin de le centre	000 ⇔ 255	Contrôle fin (16 bits)

Canal	Fonction	Valeur	Pourcentage/Configuration
19	Stroboscope de l'anneau	000 ⇔ 019	Eteindre
		020 ⇔ 024	Allumé
		025 ⇔ 069	Stroboscope, rapide à lent
		070 ⇔ 089	Stroboscope à évanouissement 100–0%, rapide à lent
		090 ⇔ 109	Stroboscope à évanouissement 0–100%, rapide à lent
		110 ⇔ 129	Stroboscope aléatoire, rapide à lent
		130 ⇔ 149	Stroboscope à évanouissement aléatoire 100–0%, rapide à lent
		150 ⇔ 169	Stroboscope à évanouissement aléatoire 0–100%, rapide à lent
		170 ⇔ 189	Stroboscope à impulsions, rapide à lent
		190 ⇔ 209	Stroboscope à impulsions aléatoires, rapide à lent
		210 ⇔ 229	Stroboscope à évanouissement 100–0–100%, rapide à lent
		230 ⇔ 244	Stroboscope à impulsions aléatoires, rapide à lent
		245 ⇔ 255	Allumé
20	Stroboscope de le centre	000 ⇔ 019	Éteindre
		020 ⇔ 024	Allumé
		025 ⇔ 069	Stroboscope, rapide à lent
		070 ⇔ 089	Stroboscope à évanouissement 100–0%, rapide à lent
		090 ⇔ 109	Stroboscope à évanouissement 0–100%, rapide à lent
		110 ⇔ 129	Stroboscope aléatoire, rapide à lent
		130 ⇔ 149	Stroboscope à évanouissement aléatoire 100–0%, rapide à lent
		150 ⇔ 169	Stroboscope à évanouissement aléatoire 0–100%, rapide à lent
		170 ⇔ 189	Stroboscope à impulsions, rapide à lent
		190 ⇔ 209	Stroboscope à impulsions aléatoires, rapide à lent
		210 ⇔ 229	Stroboscope à évanouissement 100–0–100%, rapide à lent
		230 ⇔ 244	Stroboscope à impulsions aléatoires, rapide à lent
		245 ⇔ 255	Allumé
21	Zoom	000 ⇔ 255	Zoom avant à zoom arrière
22	Contrôle (*Active en 5 secondes)	000 ⇔ 009	Pas de fonction
		010 ⇔ 014	Faire le noir pendant pan/tilt
		015 ⇔ 029	Réservé pour une utilisation future
		030 ⇔ 034	Synchronisez les LED annulaires et les LED centrales*
		035 ⇔ 039	Désynchronisez les LED annulaires et les LED centrales*
		040 ⇔ 044	Ventilateur de dégivrage activé
		045 ⇔ 049	Ventilateur de dégivrage éteint
		050 ⇔ 054	Réinitialisation pan*
		055 ⇔ 059	Réinitialisation tilt*
		060 ⇔ 064	Réinitialisation zoom
		065 ⇔ 069	Réservé pour une utilisation future
		070 ⇔ 074	Tout réinitialiser*
		075 ⇔ 119	Réservé pour une utilisation future
		120 ⇔ 124	Ventilateur en mode ECO*
		125 ⇔ 129	Vitesse maximale ventilateur*
		130 ⇔ 134	Ventilateur automatique*
		135 ⇔ 139	Gradation rapide*
		140 ⇔ 144	Gradation lisse*
		145 ⇔ 149	Courbe de gradateur linéaire
		150 ⇔ 154	Courbe de gradation carrée
		155 ⇔ 159	Courbe de gradation carrée inverse
		160 ⇔ 164	Courbe de gradateur courbe S
		165 ⇔ 169	Mode BLANC
		170 ⇔ 174	Mode FULL
		175 ⇔ 179	Calibrage d'une seule couleur désactivé
		180 ⇔ 184	Calibrage d'une seule couleur activé
		185 ⇔ 239	Pas de fonction
		240 ⇔ 247	Calibrage activé
		248 ⇔ 255	Calibrage désactivé
		23	Rouge

Canal	Fonction	Valeur	Pourcentage/Configuration
24	Rouge fin	000 ⇔ 255	Contrôle fin (16 bits)
25	Vert	000 ⇔ 255	0–100%
26	Vert fin	000 ⇔ 255	Contrôle fin (16 bits)
27	Bleu	000 ⇔ 255	0–100%
28	Bleu fin	000 ⇔ 255	Contrôle fin (16 bits)
29	Blanc	000 ⇔ 255	0–100%
30	Blanc fin	000 ⇔ 255	Contrôle fin (16 bits)

24CH

Canal	Fonction	Valeur	Pourcentage/Configuration
1	Pan	000 ⇔ 255	0–100%
2	Pan fin	000 ⇔ 255	Contrôle fin (16 bits)
3	Tilt	000 ⇔ 255	0–100%
4	Tilt fin	000 ⇔ 255	Contrôle fin (16 bits)
5	Vitesse de pan/tilt	000 ⇔ 255	Rapide à lent
6	CTC	000	Pas de fonction
		001 ⇔ 255	Température de couleur, 19000–2700K
7	Couleur prédéfinie de l'anneau	000 ⇔ 004	Pas de fonction
		005 ⇔ 174	Couleur 1–34 (voir Tableau des couleurs prédéfinies [pas de blanc])
		175 ⇔ 179	Pas de fonction
		180 ⇔ 201	Fondu de couleur, rapide à lent
		202 ⇔ 207	Arrête
		208 ⇔ 229	Fondu de couleur inverse, rapide à lent
		230 ⇔ 234	Pas de fonction
		235 ⇔ 249	Saut de couleur, rapide à lent
250 ⇔ 255	Pas de fonction		
8	Couleur prédéfinie de le centre	000 ⇔ 004	Pas de fonction
		005 ⇔ 174	Couleur 1–34 (voir Tableau des couleurs prédéfinies)
		175 ⇔ 179	Pas de fonction
		180 ⇔ 201	Fondu de couleur, rapide à lent
		202 ⇔ 207	Arrête
		208 ⇔ 229	Fondu de couleur inverse, rapide à lent
		230 ⇔ 234	Pas de fonction
		235 ⇔ 249	Saut de couleur, rapide à lent
250 ⇔ 255	Pas de fonction		
9	Motif	000	Pas de fonction
		001 ⇔ 255	Motif 1–255

Canal	Fonction	Valeur	Pourcentage/Configuration
10	Macro LED	000 ⇔ 005	Pas de fonction
		006 ⇔ 010	Macro LED 1
		011 ⇔ 015	Macro LED 2
		016 ⇔ 020	Macro LED 3
		021 ⇔ 025	Macro LED 4
		026 ⇔ 030	Macro LED 5
		031 ⇔ 035	Macro LED 6
		036 ⇔ 040	Macro LED 7
		041 ⇔ 045	Macro LED 8
		046 ⇔ 050	Macro LED 9
		051 ⇔ 055	Macro LED 10
		056 ⇔ 060	Macro LED 11
		061 ⇔ 065	Macro LED 12
		066 ⇔ 070	Macro LED 13
		071 ⇔ 075	Macro LED 14
		076 ⇔ 080	Macro LED 15
		081 ⇔ 085	Macro LED 16
		086 ⇔ 090	Macro LED 17
		091 ⇔ 095	Macro LED 18
		096 ⇔ 100	Macro LED 19
		101 ⇔ 105	Macro LED 20
		106 ⇔ 110	Macro LED 21
		111 ⇔ 115	Macro LED 22
		116 ⇔ 120	Macro LED 23
		121 ⇔ 125	Macro LED 24
		126 ⇔ 130	Macro LED 25
		131 ⇔ 135	Macro LED 26
		136 ⇔ 140	Macro LED 27
		141 ⇔ 145	Macro LED 28
		146 ⇔ 150	Macro LED 29
		151 ⇔ 155	Macro LED 30
		156 ⇔ 160	Macro LED 31
		161 ⇔ 165	Macro LED 32
166 ⇔ 170	Macro LED 33		
171 ⇔ 175	Macro LED 34		
176 ⇔ 180	Macro LED 35		
181 ⇔ 185	Macro LED 36		
186 ⇔ 190	Macro LED 37		
191 ⇔ 195	Macro LED 38		
199 ⇔ 200	Macro LED 39		
201 ⇔ 205	Macro LED 40		
206 ⇔ 210	Macro LED 41		
211 ⇔ 215	Macro LED 42		
216 ⇔ 255	Pas de fonction		
11	Vitesse LED macro	000 ⇔ 127 128 129 ⇔ 255	Vitesse LED macro, rapide à lent Arrête Macro LED inverse, rapide à lent
12	Macro LED de retard	000 ⇔ 255	Macro LED de retard, rapide à lent
13	Couleur d'arrière-plan	000	Pas de fonction
		001 ⇔ 239	Couleurs d'arrière plan (voir Tableau des couleurs d'arrière-plan)
		240 ⇔ 247 248 ⇔ 255	Fondu de couleur, rapide à lent Saut de couleur, rapide à lent
14	Gradateur d'arrière plan	000 ⇔ 255	0-100%
15	Gradateur de l'anneau	000 ⇔ 255	0-100%
16	Gradateur de le centre	000 ⇔ 255	0-100%

Canal	Fonction	Valeur	Pourcentage/Configuration
17	Stroboscope de l'anneau	000 ⇔ 019	Eteindre
		020 ⇔ 024	Allumé
		025 ⇔ 069	Stroboscope, rapide à lent
		070 ⇔ 089	Stroboscope à évanouissement 100–0%, rapide à lent
		090 ⇔ 109	Stroboscope à évanouissement 0–100%, rapide à lent
		110 ⇔ 129	Stroboscope aléatoire, rapide à lent
		130 ⇔ 149	Stroboscope à évanouissement aléatoire 100–0%, rapide à lent
		150 ⇔ 169	Stroboscope à évanouissement aléatoire 0–100%, rapide à lent
		170 ⇔ 189	Stroboscope à impulsions, rapide à lent
		190 ⇔ 209	Stroboscope à impulsions aléatoires, rapide à lent
		210 ⇔ 229	Stroboscope à évanouissement 100–0–100%, rapide à lent
		230 ⇔ 244	Stroboscope à impulsions aléatoires, rapide à lent
		245 ⇔ 255	Allumé
18	Stroboscope de le centre	000 ⇔ 019	Eteindre
		020 ⇔ 024	Allumé
		025 ⇔ 069	Stroboscope, rapide à lent
		070 ⇔ 089	Stroboscope à évanouissement 100–0%, rapide à lent
		090 ⇔ 109	Stroboscope à évanouissement 0–100%, rapide à lent
		110 ⇔ 129	Stroboscope aléatoire, rapide à lent
		130 ⇔ 149	Stroboscope à évanouissement aléatoire 100–0%, rapide à lent
		150 ⇔ 169	Stroboscope à évanouissement aléatoire 0–100%, rapide à lent
		170 ⇔ 189	Stroboscope à impulsions, rapide à lent
		190 ⇔ 209	Stroboscope à impulsions aléatoires, rapide à lent
		210 ⇔ 229	Stroboscope à évanouissement 100–0–100%, rapide à lent
		230 ⇔ 244	Stroboscope à impulsions aléatoires, rapide à lent
		245 ⇔ 255	Allumé
19	Zoom	000 ⇔ 255	Zoom avant à zoom arrière
20	Contrôle (*Active en 5 secondes)	000 ⇔ 009	Pas de fonction
		010 ⇔ 014	Faire le noir pendant pan/tilt
		015 ⇔ 029	Réservé pour une utilisation future
		030 ⇔ 034	Synchronisez les LED annulaires et les LED centrales*
		035 ⇔ 039	Désynchronisez les LED annulaires et les LED centrales*
		040 ⇔ 044	Ventilateur de dégivrage activé
		045 ⇔ 049	Ventilateur de dégivrage éteint
		050 ⇔ 054	Réinitialisation pan*
		055 ⇔ 059	Réinitialisation tilt*
		060 ⇔ 064	Réinitialisation zoom
		065 ⇔ 069	Réservé pour une utilisation future
		070 ⇔ 074	Tout réinitialiser*
		075 ⇔ 119	Réservé pour une utilisation future
		120 ⇔ 124	Ventilateur en mode ECO*
		125 ⇔ 129	Vitesse maximale ventilateur*
		130 ⇔ 134	Ventilateur automatique*
		135 ⇔ 139	Gradation rapide*
		140 ⇔ 144	Gradation lisse*
		145 ⇔ 149	Courbe de gradateur linéaire
		150 ⇔ 154	Courbe de gradation carrée
		155 ⇔ 159	Courbe de gradation carrée inverse
		160 ⇔ 164	Courbe de gradateur courbe S
		165 ⇔ 169	Mode BLANC
170 ⇔ 174	Mode FULL		
175 ⇔ 179	Calibrage d'une seule couleur désactivé		
180 ⇔ 184	Calibrage d'une seule couleur activé		
185 ⇔ 239	Pas de fonction		
240 ⇔ 247	Calibrage activé		
248 ⇔ 255	Calibrage désactivé		
21	Rouge	000 ⇔ 255	0–100%
22	Vert	000 ⇔ 255	0–100%
23	Bleu	000 ⇔ 255	0–100%
24	Blanc	000 ⇔ 255	0–100%

15CH

Canal	Fonction	Valeur	Pourcentage/Configuration
1	Pan	000 ⇔ 255	0–100%
2	Pan fin	000 ⇔ 255	Contrôle fin (16 bits)
3	Tilt	000 ⇔ 255	0–100%
4	Tilt fin	000 ⇔ 255	Contrôle fin (16 bits)
5	Vitesse de pan/tilt	000 ⇔ 255	Rapide à lent
6	Gradateur	000 ⇔ 255	0–100%
7	Gradateur fin	000 ⇔ 255	Contrôle fin (16 bits)
8	Stroboscope	000 ⇔ 019	Éteindre
		020 ⇔ 024	Allumé
		025 ⇔ 069	Stroboscope, rapide à lent
		070 ⇔ 089	Stroboscope à évanouissement 100–0%, rapide à lent
		090 ⇔ 109	Stroboscope à évanouissement 0–100%, rapide à lent
		110 ⇔ 129	Stroboscope aléatoire, rapide à lent
		130 ⇔ 149	Stroboscope à évanouissement aléatoire 100–0%, rapide à lent
		150 ⇔ 169	Stroboscope à évanouissement aléatoire 0–100%, rapide à lent
		170 ⇔ 189	Stroboscope à impulsions, rapide à lent
		190 ⇔ 209	Stroboscope à impulsions aléatoires, rapide à lent
210 ⇔ 229	Stroboscope à évanouissement 100–0–100%, rapide à lent		
230 ⇔ 244	Stroboscope à impulsions aléatoires, rapide à lent		
245 ⇔ 255	Allumé		
9	Rouge	000 ⇔ 255	0–100%
10	Vert	000 ⇔ 255	0–100%
11	Bleu	000 ⇔ 255	0–100%
12	Blanc	000 ⇔ 255	0–100%
13	Couleur prédéfinie	000 ⇔ 004	Pas de fonction
		005 ⇔ 174	Couleur 1–34 (voir Tableau des couleurs prédéfinies)
		175 ⇔ 179	Pas de fonction
		180 ⇔ 201	Fondu de couleur, rapide à lent
		202 ⇔ 207	Arrête
		208 ⇔ 229	Fondu de couleur inverse, rapide à lent
		230 ⇔ 234	Pas de fonction
		235 ⇔ 249	Saut de couleur, rapide à lent
250 ⇔ 255	Pas de fonction		
14	Zoom	000 ⇔ 255	Zoom avant à zoom arrière
15	Contrôle (*Active en 5 secondes)	000 ⇔ 009	Pas de fonction
		010 ⇔ 014	Faire le noir pendant pan/tilt
		015 ⇔ 029	Réservé pour une utilisation future
		030 ⇔ 034	Synchronisez les LED annulaires et les LED centrales*
		035 ⇔ 039	Désynchronisez les LED annulaires et les LED centrales*
		040 ⇔ 044	Ventilateur de dégivrage activé
		045 ⇔ 049	Ventilateur de dégivrage éteint
		050 ⇔ 054	Réinitialisation pan*
		055 ⇔ 059	Réinitialisation tilt*
		060 ⇔ 064	Réinitialisation zoom
		065 ⇔ 069	Réservé pour une utilisation future
		070 ⇔ 074	Tout réinitialiser*
		075 ⇔ 119	Réservé pour une utilisation future
		120 ⇔ 124	Ventilateur en mode ECO*
		125 ⇔ 129	Vitesse maximale ventilateur*
		130 ⇔ 134	Ventilateur automatique*
		135 ⇔ 139	Gradation rapide*
		140 ⇔ 144	Gradation lisse*
		145 ⇔ 149	Courbe de gradateur linéaire
		150 ⇔ 154	Courbe de gradation carrée
		155 ⇔ 159	Courbe de gradation carrée inverse
		160 ⇔ 164	Courbe de gradateur courbe S
		165 ⇔ 169	Mode BLANC
		170 ⇔ 174	Mode FULL
175 ⇔ 179	Calibrage d'une seule couleur désactivé		
180 ⇔ 184	Calibrage d'une seule couleur activé		
185 ⇔ 239	Pas de fonction		
240 ⇔ 247	Calibrage activé		
248 ⇔ 255	Calibrage désactivé		

Über diese Schnellanleitung

In der Schnellanleitung des Rogue Outcast 1 Beam Wash finden Sie die wesentlichen Produktinformationen, wie etwa über die Montage, Menüoptionen und DMX-Werte des Geräts. Laden Sie für weiterführende Informationen unter www.chauvetprofessional.com das Benutzerhandbuch herunter.

Haftungsausschluss

Die in dieser Anleitung aufgeführten Informationen und Spezifikationen können ohne vorherige Ankündigung geändert werden.

EINGESCHRÄNKTE GARANTIE

ZUR REGISTRIERUNG FÜR GARANTIEANSPRÜCHE UND ZUR EINSICHT IN DIE VOLLSTÄNDIGEN GESCHÄFTSBEDINGUNGEN BESUCHEN SIE BITTE UNSERE WEBSITE.

Für Kunden in den USA und in Mexiko: www.chauvetlighting.com/warranty-registration.

Für Kunden im Vereinigten Königreich, in Irland, Belgien, den Niederlanden, Luxemburg, Frankreich und Deutschland: www.chauvetlighting.eu/warranty-registration.

Chauvet garantiert für die in der auf unserer Website veröffentlichten vollständigen eingeschränkten Garantie genannten Dauer und unter Vorbehalt der darin genannten Haftungsausschlüsse und -beschränkungen, dass dieses Produkt bei normalen Gebrauch frei von Material- und Verarbeitungsfehlern ist. Diese Garantie erstreckt sich nur auf den Erstkäufer des Produkts und ist nicht übertragbar. Zur Ausübung der unter dieser Garantie gewährten Rechte ist der Kaufbeleg in Form der Originalrechnung von einem autorisierten Händler vorzulegen, in der die Produktbezeichnung und das Kaufdatum vermerkt sein müssen. **ES BESTEHEN KEINE WEITEREN AUSDRÜCKLICHEN ODER STILLSCHWEIGENDEN GARANTIEN.** Diese Garantie gibt Ihnen besondere gesetzliche Rechte. Und Sie haben möglicherweise weitere Rechte, die von Land zu Land unterschiedlich sein können. Diese Garantie ist nur in den USA, im Vereinigten Königreich, in Irland, Belgien, den Niederlanden, Luxemburg, Frankreich, Deutschland und Mexiko gültig. Bezüglich der Garantiebestimmungen in anderen Ländern wenden Sie sich bitte an Ihren lokalen Händler.

Sicherheitshinweise

- Die Leuchte sollte so positioniert werden, dass ein langes starres Schauen in die Leuchte in einem Abstand von weniger als 18,04 Fuß (5,5 m) nicht zu erwarten ist.
- Ist das externe flexible Kabel dieser Leuchte beschädigt, muss es durch ein gleichwertiges Kabel oder ein ausschließlich vom Hersteller oder dessen Vertriebspartner erhältliches Kabel ersetzt werden.
- Das in dieser Leuchte enthaltene Leuchtmittel darf nur vom Hersteller oder dessen Vertriebspartner oder einer ähnlich qualifizierten Person ausgetauscht werden.
- Die Leuchte ist ausschließlich für den professionellen Einsatz bestimmt.
- Dieses Gerät NICHT öffnen. Die eingebauten Komponenten sind für den Kunden wartungsfrei.
- NIEMALS in die Lichtquelle schauen, während das Gerät eingeschaltet ist.
- NIEMALS das Gerät in Betrieb nehmen, wenn Ihnen das Gehäuse, die Linsen oder das Kabel beschädigt erscheinen.
- Schließen Sie dieses Gerät NICHT an einen Dimmer oder Regelwiderstand an.
- Belassen Sie KEINE entflammaren Materialien in einem Umkreis von 50 cm dieses Geräts, während es in Betrieb oder an der Stromversorgung angeschlossen ist.
- Dieses Gerät darf NICHT in Wasser eingetaucht werden (IP65). Eine temporärer Verwendung dieses Geräts im Freien ist möglich.
- Dieses Geräts eignet sich nicht für eine permanente Installation im Außenbereich an Orten mit extremen Umweltbedingungen. Dies beinhaltet insbesondere:
 - Exposition gegenüber Meeres-/salzhaltigen Umgebungen (innerhalb von 5 km eines salzhaltigen Gewässers).
 - Orte, an denen die Niedrigst/Höchsttemperaturen außerhalb des im Handbuch angegebenen Bereichs liegen.
 - Orte, die überflutet oder zugeschnitten werden können.
 - Sonstige Bereiche, in denen das Produkt einer großen Strahlung oder ätzenden Substanzen ausgesetzt ist.
- VORSICHT: Beim Transport des Geräts von einer Umgebung mit extreme Temperaturen in eine andere solche Umgebung (z. B. aus einem kalten Transporter in einen warm-feuchten Raum) kann der im Gerät Wasser kondensieren. Um einen Defekt zu vermeiden, muss sich das Gerät erst in der neuen Umgebung akklimatisieren, bevor es an Strom angeschlossen werden kann.
- VORSICHT: Das Gehäuse dieses Produkts kann während des Betriebs heiß werden.
- VERWENDEN Sie bei Montage über Kopf immer ein Sicherheitsseil.
- Schließen Sie dieses Produkt NUR an einen mit der Erde verbundenen und geschützten Stromkreis an.
- Das Gerät NUR an den Hänge-/Befestigungsbügeln oder Griffen tragen.
- Um Verschleiß zu vermeiden und die Dauer des Geräts zu verlängern, trennen Sie während längerer Perioden des Nichtgebrauchs das Gerät vom Strom – entweder per Schalter oder durch Herausziehen des Steckers aus.
- Installieren Sie das Gerät an einem Ort mit Belüftung und mit einem Abstand von mindestens 50 cm zu Flächen.
- Bei ernsthaften Betriebsproblemen stoppen Sie umgehend die Verwendung des Geräts.
- Die maximal zulässige Umgebungstemperatur beträgt 45 °C. Nehmen Sie das Gerät nicht bei höheren Temperaturen in Betrieb.

Kontakt

Kunden außerhalb der USA, GB, Irland, Benelux, Frankreich, Deutschland oder Mexiko wenden sich an ihren Lieferanten, um den Kundensupport in Anspruch zu nehmen oder ein Produkt zurückzuschicken. Kontaktinformationen finden Sie im [Contact Us](#) am Ende dieses SAL.

Packungsinhalt

- Rogue Outcast 1 Beam Wash
- 2 Omega-Hängebügel mit Befestigungsmaterial
- Seetronic Powerkon IP65 Netzkabel
- Schnellanleitung

Wechselstrom

Dieses Gerät verfügt über ein Vorschaltgerät, das automatisch die anliegende Spannung erkennt, sobald der Netzstecker in die Schukosteckdose gesteckt wird, und kann mit einer Eingangsspannung von 100~240 V AC, 50/60 Hz arbeiten.

Wechselstromstecker

Anschluss	Draht (USA)	Draht (Europa)	Schraubenfarbe
Stromführender AC-Leiter	Schwarz	Braun	Gelb/Messingfarben
AC-Neutralleiter	Weiß	Blau	Silber
AC-Erdungsleiter	Grün/Gelb	Grün/Gelb	Grün

Serienschaltung der Geräte

Sie können bis zu 3 Rogue Outcast 1 Beam Wash-Geräte bei 100 V AC, 3 Geräte bei 120 V, 7 Geräte bei 208 V, 7 Geräte bei 230 V, oder 8 Geräte bei 240 V in Serie schalten. Diese Anzahl niemals überschreiten! Stromkabel für die Serienschaltung können separat erworben werden.

Um unnötigen Verschleiß zu vermeiden und die Lebensdauer des Geräts zu verlängern, trennen Sie während längerer Perioden des Nichtgebrauchs das Gerät vom Stromnetz – entweder per Trennschalter oder durch Herausziehen des Steckers aus der Steckdose.

Auswechseln der Sicherung

1. Trennen Sie das Gerät vom Stromnetz.
2. Mit einem Flachkopfschraubendreher lösen Sie die Abdeckung des Sicherungshalters vom Gehäuse.
3. Entfernen Sie die durchgebrannte Sicherung, und ersetzen Sie diese durch eine Sicherung des gleichen Typs und mit den gleichen Werten.
4. Schrauben Sie die Abdeckung der Sicherung wieder ein, und schließen Sie das Gerät wieder an das Stromnetz an.

DMX-Verbindung

Der Rogue Outcast 1 Beam Wash kann mit einem DMX-Controller betrieben werden, wenn eine 5-polige DMX-Serienschaltung zum Einsatz kommt. Sie können sich eine Einführung in DMX unter www.chauvetprofessional.com herunterladen.

DMX-Anschluss

Der Rogue Outcast 1 Beam Wash nutzt zur seiner Kontrollpersönlichkeiten: **15Ch, 24Ch, 30Ch, 64Ch, 111Ch, und 135Ch** eine 5-polige DMX-Datenverbindung. Informationen zum Anschließen und Konfigurieren des Geräts für einen DMX-Betrieb finden Sie in der Bedienungsanleitung.

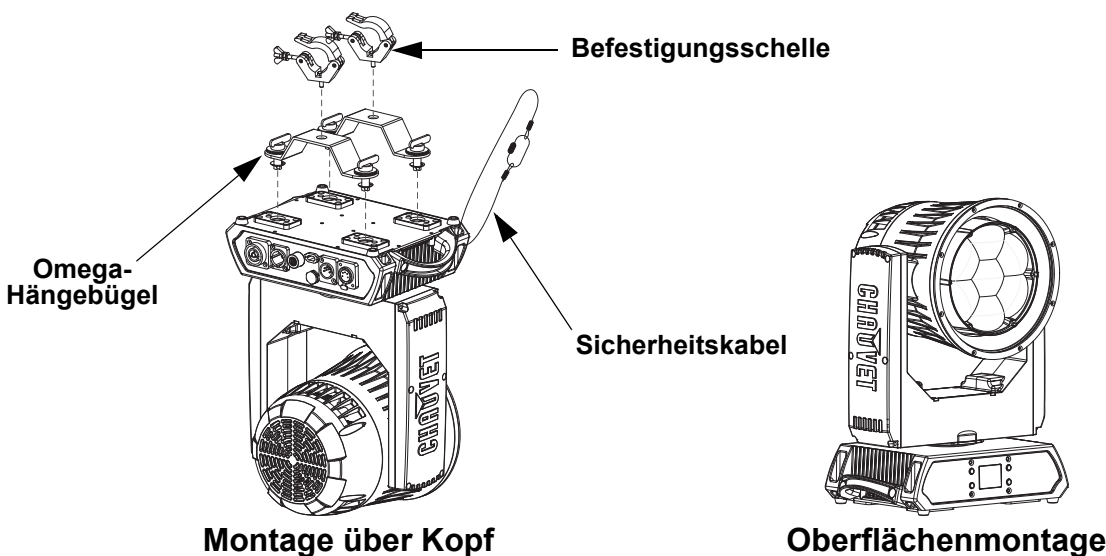
RDM (Remote Device Management)

Remote Device Management bzw. RDM ist ein Standard, mit dem DMX-aktivierte Geräte bidirektional entlang bestehender DMX-Kabel kommunizieren können. Lesen Sie die Bedienungsanleitung des DMX-Controllers oder wenden Sie sich an den Hersteller, da nicht alle DMX-Controller über diese Funktion verfügt. Der Rogue Outcast 1 Beam Wash unterstützt das RDM-Protokoll, das ein Feedback zur Vornahme von Änderungen der Menüoptionen erlaubt. Laden Sie für weiterführende Informationen unter www.chauvetprofessional.com das Benutzerhandbuch herunter.

Montage

Lesen Sie vor der Montage dieses Geräts die [Sicherheitshinweise](#) durch. Mindestens zwei Befestigungspunkt pro Gerät verwenden. Stellen Sie sicher, dass die Befestigungsklemmen dafür ausgelegt sind, das Produktgewicht tragen zu können. Informationen zu unserer CHAUVET-Produktlinie für Befestigungsklemmen finden Sie unter <http://trusst.com/productcategory/truss-clamps/>.

Montageansicht



Beschreibung des Bedienfeldes

Taste	Funktion
<MENU>	Damit verlassen Sie das aktuelle Menü oder die Funktion
<ENTER>	Damit wird das aktuell angezeigte Menü aktiviert oder der aktuell ausgewählte Wert einer Funktion eingestellt
<UP>	Damit navigieren Sie sich durch die Menü nach oben und erhöhen den Wert der einer Funktion
<DOWN>	Damit navigieren Sie sich durch die Menü nach unten und verringern den Wert der einer Funktion

Menüstruktur

Die neueste Menükarte finden Sie auf der Rogue Outcast 1 Beam Wash-Produktseite unter www.chauvetprofessional.com.

Hauptebene	Programmirebenen		Beschreibung
Address	001–497		Stellt die Startadresse ein
DMX	15CH		Wählt den DMX Kontrollpersönlichkeiten
	24CH		
30CH			
64CH			
111CH			
135CH			
Auto Test			Automatischer Test aller Funktionen
Run Mode	Pan		0–255 Manuelle Steuerung und Test aller Einstellungen vom Bedienfeld aus
	Tilt		
	Dimmer		
	Shutter		
	Red 1		
	Green 1		
	Blue 1		
	Red 2		
	Green 2		
	Blue 2		
	Red 3		
	Green 3		
	Blue 3		
	Red 4		
	Green 4		
	Blue 4		
	Red 5		
	Green 5		
	Blue 5		
	Red 6		
	Green 6		
	Blue 6		
	Red 7		
	Green 7		
	Blue 7		
	Red 8		
	Green 8		
	Blue 8		
	Red 9		
	Green 9		
	Blue 9		
	Red 10		
	Green 10		
	Blue 10		
Red 11			
Green 11			
Blue 11			
Red 12			
Green 12			
Blue 12			
Red 13			
Green 13			
Blue 13			
White 13			
Zoom			

Hauptebene	Programmirebenen		Beschreibung
Setup	Pan Reverse	OFF	Schwenk Normal
		ON	Umgekehrte Schwenkung
	Tilt Reverse	OFF	Neigung Normal
		ON	Umgekehrte Neigung
	Pan Angle	540	Schwenkungsbereich 540°
		360	Schwenkungsbereich 360°
		180	Schwenkungsbereich 180°
	Tilt Angle	260	Neigungsbereich 260°
		180	Neigungsbereich 180°
		90	Neigungsbereich 90°
	Fans	Auto	Lüfterdrehzahl gemäß Gerätetemperatur
		Full	Lüfterdrehzahl auf volle Drehzahl
		ECO	Lautloser Modus
	Display	OFF	Anzeige schaltet aus
		ON	Anzeige bleibt an
	Screen Rev	OFF	Normale Anzeige
		ON	Umgekehrte Anzeige
	Dimmer Curve	Linear	Stellt die Dimmungskurve ein
		Square	
		I Squa	
		SCurve	
	Dimmer Speed	Smooth	Stellt die Dimmgeschwindigkeit ein
		Fast	
	PWM Option	600Hz	Legt die Frequenz der Puls-Weiten-Modulation fest
		1200Hz	
		2000Hz	
		4000Hz	
		6000Hz	
LED R POWER	050-100	Stellt die rote LED-Leistung ein	
	050-100	Stellt die grüne LED-Leistung ein	
	050-100	Stellt die blaue LED-Leistung ein	
	050-100	Stellt die weiße LED-Leistung ein	
	050-100	Stellt die weiße LED-Leistung ein	
White Mode	On	Kalibriert Weiß auf 7500K	
	Off	Verwendet maximale Ausgabewerte	
	Custom	RED	000-255
		GREEN	
		BLUE	
WHITE			
Color Calibration	On	Verwendet die werksseitig voreingestellte Standardeinstellung "Weiß"	
	Off	Verwendet den maximalen Ausgabewert	
	Custom	RED	100-255
		GREEN	
		BLUE	
USB Update	NO	Aktiviert/Deaktiviert die Aktualisierung über USB	
	YES		
Reset Function	Pan/Tilt	NO/YES	
	Zoom		
	All		
Factory Settings	YES	Setzt auf die standardmäßigen	
	NO	Werkseinstellungen zurück	

Hauptebene	Programmirebenen		Beschreibung
Sys Info	Ver	V_._._	Zeigt die Firmware-Version an
	Running Mode	._._	Zeigt den aktuellen Betriebsmodus an
	DMX Address	._._	Zeigt die aktuelle DMX-Startadresse an
	Temperature	._.C	Zeigt die aktuelle Temperatur in °C an
	Fixture Time	._._._	Zeigt an, wie lange das Gerät eingeschaltet gewesen ist
	UID	._._._._._._	Zeigt die Produkt-UID an
	Head Fan1–6	._._._._	Zeigt die Drehzahl der Kopflüfter in U/min an

DMX Werte

Voreingestellte Farbkarte

DMX Werte	Funktion	Roter Wert	Grüner Wert	Blauer Wert	Weißwert
005 ⇄ 009	Farb 1	000	000	000	255
010 ⇄ 014	Farb 2	255	235	053	000
015 ⇄ 019	Farb 3	214	134	048	000
020 ⇄ 024	Farb 4	255	000	044	000
025 ⇄ 029	Farb 5	255	059	113	000
030 ⇄ 034	Farb 6	255	138	219	000
035 ⇄ 039	Farb 7	226	175	226	000
040 ⇄ 044	Farb 8	040	001	255	000
045 ⇄ 049	Farb 9	000	000	255	000
050 ⇄ 054	Farb 10	000	078	255	000
055 ⇄ 059	Farb 11	000	199	255	000
060 ⇄ 064	Farb 12	000	255	234	000
065 ⇄ 069	Farb 13	149	246	255	000
070 ⇄ 074	Farb 14	137	255	227	000
075 ⇄ 079	Farb 15	213	220	222	000
080 ⇄ 084	Farb 16	219	232	175	000
085 ⇄ 089	Farb 17	205	255	199	000
090 ⇄ 094	Farb 18	115	255	163	000
095 ⇄ 099	Farb 19	006	255	143	000
100 ⇄ 104	Farb 20	000	255	094	000
105 ⇄ 109	Farb 21	029	255	000	000
110 ⇄ 114	Farb 22	032	223	000	000
115 ⇄ 119	Farb 23	075	255	000	000
120 ⇄ 124	Farb 24	080	232	000	000
125 ⇄ 129	Farb 25	108	226	000	000
130 ⇄ 134	Farb 26	145	194	000	000
135 ⇄ 139	Farb 27	210	255	000	000
140 ⇄ 144	Farb 28	225	232	000	000
145 ⇄ 149	Farb 29	023	215	000	000
150 ⇄ 154	Farb 30	247	214	000	000
155 ⇄ 159	Farb 31	255	163	000	000
160 ⇄ 164	Farb 32	255	152	000	000
165 ⇄ 169	Farb 33	255	108	000	000
170 ⇄ 174	Farb 34	255	255	255	255

Hintergrundfarbkarte

DMX Werte	Funktion	Roter Wert	Grüner Wert	Blauer Wert	Weißwert
001 ⇔ 002	2700K Weiß	156	118	000	063
003 ⇔ 004	3200K Weiß	156	141	005	089
005 ⇔ 006	4200K Weiß	156	141	014	255
007 ⇔ 008	5600K Weiß	156	207	054	255
009 ⇔ 010	8000K Weiß	130	255	096	255
011	Blau	000	000	255	000
012 ⇔ 048	Grün nimmt zu	000	001–254	255	000
049	Cyan	000	255	255	000
050 ⇔ 086	Blau nimmt ab	000	255	254–001	000
87	Grün	000	255	000	000
088 ⇔ 124	Rot nimmt zu	001–254	255	000	000
125	Gelb	255	255	000	000
126 ⇔ 162	Grün nimmt ab	255	254–001	000	000
163	Rot	255	000	000	000
164 ⇔ 200	Blau nimmt zu	255	000	001–254	000
201	Magenta	255	000	255	000
202 ⇔ 238	Rot nimmt ab	254–001	000	255	000
239	Blau	000	000	255	000

135CH

Kanal	Funktion	Wert	Prozent/Einstellung
1	Schwenkung	000 ⇔ 255	0–100%
2	Feinschwenkung	000 ⇔ 255	Feinkontrolle (16-Bit)
3	Neigung	000 ⇔ 255	0–100%
4	Feinneigung	000 ⇔ 255	Feinkontrolle (16-Bit)
5	Geschwindigkeit	000 ⇔ 255	Schwenkung/Neigungs-Geschwindigkeit, Schnell bis langsam
6	CTC	000	Keine Funktion
		001 ⇔ 255	Farbtemperatur, 19000–2700K
7	Voreingestellte Ringsfarb	000 ⇔ 004	Keine Funktion
		005 ⇔ 174	Farb 1–34 (Siehe Voreingestellte Farbkarte [Keine Weiß])
		175 ⇔ 179	Keine Funktion
		180 ⇔ 201	Farbblend, schnell bis langsam
		202 ⇔ 207	Anhalten
		208 ⇔ 229	Umgekehrte Farbblend, schnell bis langsam
		230 ⇔ 234	Keine Funktion
		235 ⇔ 249	Farbsprung, schnell bis langsam
250 ⇔ 255	Keine Funktion		
8	Voreingestellte Zentrumsfarb	000 ⇔ 004	Keine Funktion
		005 ⇔ 174	Farb 1–34 (Siehe Voreingestellte Farbkarte)
		175 ⇔ 179	Keine Funktion
		180 ⇔ 201	Farbblend, schnell bis langsam
		202 ⇔ 207	Anhalten
		208 ⇔ 229	Umgekehrte Farbblend, schnell bis langsam
		230 ⇔ 234	Keine Funktion
		235 ⇔ 249	Farbsprung, schnell bis langsam
250 ⇔ 255	Keine Funktion		
9	Muster	000	Keine Funktion
		001 ⇔ 255	Muster 1–255

Kanal	Funktion	Wert	Prozent/Einstellung
10	LED-Makro	000 ⇔ 005	Keine Funktion
		006 ⇔ 010	LED-Makro 1
		011 ⇔ 015	LED-Makro 2
		016 ⇔ 020	LED-Makro 3
		021 ⇔ 025	LED-Makro 4
		026 ⇔ 030	LED-Makro 5
		031 ⇔ 035	LED-Makro 6
		036 ⇔ 040	LED-Makro 7
		041 ⇔ 045	LED-Makro 8
		046 ⇔ 050	LED-Makro 9
		051 ⇔ 055	LED-Makro 10
		056 ⇔ 060	LED-Makro 11
		061 ⇔ 065	LED-Makro 12
		066 ⇔ 070	LED-Makro 13
		071 ⇔ 075	LED-Makro 14
		076 ⇔ 080	LED-Makro 15
		081 ⇔ 085	LED-Makro 16
		086 ⇔ 090	LED-Makro 17
		091 ⇔ 095	LED-Makro 18
		096 ⇔ 100	LED-Makro 19
		101 ⇔ 105	LED-Makro 20
		106 ⇔ 110	LED-Makro 21
		111 ⇔ 115	LED-Makro 22
		116 ⇔ 120	LED-Makro 23
		121 ⇔ 125	LED-Makro 24
		126 ⇔ 130	LED-Makro 25
		131 ⇔ 135	LED-Makro 26
		136 ⇔ 140	LED-Makro 27
		141 ⇔ 145	LED-Makro 28
		146 ⇔ 150	LED-Makro 29
		151 ⇔ 155	LED-Makro 30
		156 ⇔ 160	LED-Makro 31
161 ⇔ 165	LED-Makro 32		
166 ⇔ 170	LED-Makro 33		
171 ⇔ 175	LED-Makro 34		
176 ⇔ 180	LED-Makro 35		
181 ⇔ 185	LED-Makro 36		
186 ⇔ 190	LED-Makro 37		
191 ⇔ 195	LED-Makro 38		
199 ⇔ 200	LED-Makro 39		
201 ⇔ 205	LED-Makro 40		
206 ⇔ 210	LED-Makro 41		
211 ⇔ 215	LED-Makro 42		
216 ⇔ 255	Keine Funktion		
11	LED-Makro Geschwindigkeit	000 ⇔ 127 128 129 ⇔ 255	LED-Makro Geschwindigkeit, schnell bis langsam Anhalten Umgekehrte LED-Makro, langsam bis schnell
12	LED-Makroverzögerung	000 ⇔ 255	LED-Makroverzögerung, schnell bis langsam
13	Hintergrundfarbe	000	Keine Funktion
		001 ⇔ 239	Hintergrundfarben (Siehe Hintergrundfarbkarte)
		240 ⇔ 247 248 ⇔ 255	Farblend, schnell bis langsam Farbsprung, schnell bis langsam
14	Hintergrunddimmer	000 ⇔ 255	0–100%
15	Hg. feine dimmer	000 ⇔ 255	Feinkontrolle (16-Bit)
16	Master dimmer	000 ⇔ 255	0–100%
17	Master feine dimmer	000 ⇔ 255	Feinkontrolle (16-Bit)

Kanal	Funktion	Wert	Prozent/Einstellung
18	Ringstroboskop	000 ⇔ 019	Aus
		020 ⇔ 024	Ein
		025 ⇔ 069	Stroboskop, schnell bis langsam
		070 ⇔ 089	Verblassendes Stroboskop 100–0%, schnell bis langsam
		090 ⇔ 109	Verblassendes Stroboskop 0–100%, schnell bis langsam
		110 ⇔ 129	Zufälliges Stroboskop, schnell bis langsam
		130 ⇔ 149	Zufälliges verblassendes Stroboskop 100–0%, schnell bis langsam
		150 ⇔ 169	Zufälliges verblassendes Stroboskop 0–100%, schnell bis langsam
		170 ⇔ 189	Pulsstroboskop, schnell bis langsam
		190 ⇔ 209	Zufälliges Pulsstroboskop, schnell bis langsam
		210 ⇔ 229	Verblassendes Stroboskop 100–0–100%, schnell bis langsam
		230 ⇔ 244	Zufälliges Pulsstroboskop, schnell bis langsam
		245 ⇔ 255	Ein
19	Zentrumstroboskop	000 ⇔ 019	Aus
		020 ⇔ 024	Ein
		025 ⇔ 069	Stroboskop, schnell bis langsam
		070 ⇔ 089	Verblassendes Stroboskop 100–0%, schnell bis langsam
		090 ⇔ 109	Verblassendes Stroboskop 0–100%, schnell bis langsam
		110 ⇔ 129	Zufälliges Stroboskop, schnell bis langsam
		130 ⇔ 149	Zufälliges verblassendes Stroboskop 100–0%, schnell bis langsam
		150 ⇔ 169	Zufälliges verblassendes Stroboskop 0–100%, schnell bis langsam
		170 ⇔ 189	Pulsstroboskop, schnell bis langsam
		190 ⇔ 209	Zufälliges Pulsstroboskop, schnell bis langsam
		210 ⇔ 229	Verblassendes Stroboskop 100–0–100%, schnell bis langsam
		230 ⇔ 244	Zufälliges Pulsstroboskop, schnell bis langsam
		245 ⇔ 255	Ein
20	Zoomen	000 ⇔ 255	Heranzoomen bis Herauszoomen
21	Steuerung (*Aktiviert in 5 Sekunden)	000 ⇔ 009	Keine Funktion
		010 ⇔ 014	Schwenkung/Neigung Verdunkelung
		015 ⇔ 029	Reserviert für zukünftige Verwendung
		030 ⇔ 034	Synchronisieren Sie die Rings- und Zentrum-LEDs*
		035 ⇔ 039	Desynchronisieren Sie die Rings- und Zentrum-LEDs*
		040 ⇔ 044	Abtauen Ventilator aktiviert
		045 ⇔ 049	Abtauen Ventilator deaktiviert
		050 ⇔ 054	Schwenkung zurücksetzen*
		055 ⇔ 059	Neigung zurücksetzen*
		060 ⇔ 064	Zoomen zurücksetzen
		065 ⇔ 069	Reserviert für zukünftige Verwendung
		050 ⇔ 074	Alle zurücksetzen*
		075 ⇔ 119	Reserviert für zukünftige Verwendung
		120 ⇔ 124	Lüfter im ECO-Modus*
		125 ⇔ 129	Lüfter bei voller Geschwindigkeit*
		130 ⇔ 134	Automatische Geschwindigkeit des Lüfters*
		135 ⇔ 139	Schneller Dimmer*
		140 ⇔ 144	Glatter Dimmer*
		145 ⇔ 149	Lineare Dimmerkurve
		150 ⇔ 154	Quadratische Dimmerkurve
		155 ⇔ 159	Inverse quadratische Dimmerkurve
		160 ⇔ 164	S-Kurve Dimmerkurve
		165 ⇔ 169	WHITE-Modus
		170 ⇔ 174	FULL-Modus
		175 ⇔ 179	Einfarbige Kalibrierung aktiviert
		180 ⇔ 184	Einfarbige Kalibrierung deaktiviert
		185 ⇔ 239	Keine Funktion
		240 ⇔ 247	Kalibrierung aktiviert
248 ⇔ 255	Kalibrierung deaktiviert		
22	Rot	000 ⇔ 255	0–100%

Kanal	Funktion	Wert	Prozent/Einstellung
23	Feine rot	000 ⇔ 255	Feinkontrolle (16-Bit)
24	Grün	000 ⇔ 255	0–100%
25	Feine grün	000 ⇔ 255	Feinkontrolle (16-Bit)
26	Blau	000 ⇔ 255	0–100%
27	Feine blau	000 ⇔ 255	Feinkontrolle (16-Bit)
28	Weiß	000 ⇔ 255	0–100%
29	Feine weiß	000 ⇔ 255	Feinkontrolle (16-Bit)
30	Dimmer 1	000 ⇔ 255	0–100%
31	Feine dimmer 1	000 ⇔ 255	Feinkontrolle (16-Bit)
32	Rot 1	000 ⇔ 255	0–100%
33	Feine rot 1	000 ⇔ 255	Feinkontrolle (16-Bit)
34	Grün 1	000 ⇔ 255	0–100%
35	Feine grün 1	000 ⇔ 255	Feinkontrolle (16-Bit)
36	Blau 1	000 ⇔ 255	0–100%
37	Feine blau 1	000 ⇔ 255	Feinkontrolle (16-Bit)
38	Dimmer 2	000 ⇔ 255	0–100%
39	Feine dimmer 2	000 ⇔ 255	Feinkontrolle (16-Bit)
40	Rot 2	000 ⇔ 255	0–100%
41	Feine rot 2	000 ⇔ 255	Feinkontrolle (16-Bit)
42	Grün 2	000 ⇔ 255	0–100%
43	Feine grün 2	000 ⇔ 255	Feinkontrolle (16-Bit)
44	Blau 2	000 ⇔ 255	0–100%
45	Feine blau 2	000 ⇔ 255	Feinkontrolle (16-Bit)
46	Dimmer 3	000 ⇔ 255	0–100%
47	Feine dimmer 3	000 ⇔ 255	Feinkontrolle (16-Bit)
48	Rot 3	000 ⇔ 255	0–100%
49	Feine rot 3	000 ⇔ 255	Feinkontrolle (16-Bit)
50	Grün 3	000 ⇔ 255	0–100%
51	Feine grün 3	000 ⇔ 255	Feinkontrolle (16-Bit)
52	Blau 3	000 ⇔ 255	0–100%
53	Feine blau 3	000 ⇔ 255	Feinkontrolle (16-Bit)
54	Dimmer 4	000 ⇔ 255	0–100%
55	Feine dimmer 4	000 ⇔ 255	Feinkontrolle (16-Bit)
56	Rot 4	000 ⇔ 255	0–100%
57	Feine rot 4	000 ⇔ 255	Feinkontrolle (16-Bit)
58	Grün 4	000 ⇔ 255	0–100%
59	Feine grün 4	000 ⇔ 255	Feinkontrolle (16-Bit)
60	Blau 4	000 ⇔ 255	0–100%
61	Feine blau 4	000 ⇔ 255	Feinkontrolle (16-Bit)
62	Dimmer 5	000 ⇔ 255	0–100%
63	Feine dimmer 5	000 ⇔ 255	Feinkontrolle (16-Bit)
64	Rot 5	000 ⇔ 255	0–100%
65	Feine rot 5	000 ⇔ 255	Feinkontrolle (16-Bit)
66	Grün 5	000 ⇔ 255	0–100%
67	Feine grün 5	000 ⇔ 255	Feinkontrolle (16-Bit)
68	Blau 5	000 ⇔ 255	0–100%
69	Feine blau 5	000 ⇔ 255	Feinkontrolle (16-Bit)
70	Dimmer 6	000 ⇔ 255	0–100%
71	Feine dimmer 6	000 ⇔ 255	Feinkontrolle (16-Bit)
72	Rot 6	000 ⇔ 255	0–100%
73	Feine rot 6	000 ⇔ 255	Feinkontrolle (16-Bit)
74	Grün 6	000 ⇔ 255	0–100%
75	Feine grün 6	000 ⇔ 255	Feinkontrolle (16-Bit)
76	Blau 6	000 ⇔ 255	0–100%
77	Feine blau 6	000 ⇔ 255	Feinkontrolle (16-Bit)
78	Dimmer 7	000 ⇔ 255	0–100%
79	Feine dimmer 7	000 ⇔ 255	Feinkontrolle (16-Bit)

Kanal	Funktion	Wert	Prozent/Einstellung
80	Rot 7	000 ⇔ 255	0–100%
81	Feine rot 7	000 ⇔ 255	Feinkontrolle (16-Bit)
82	Grün 7	000 ⇔ 255	0–100%
83	Feine grün 7	000 ⇔ 255	Feinkontrolle (16-Bit)
84	Blau 7	000 ⇔ 255	0–100%
85	Feine blau 7	000 ⇔ 255	Feinkontrolle (16-Bit)
86	Dimmer 8	000 ⇔ 255	0–100%
87	Feine dimmer 8	000 ⇔ 255	Feinkontrolle (16-Bit)
88	Rot 8	000 ⇔ 255	0–100%
89	Feine rot 8	000 ⇔ 255	Feinkontrolle (16-Bit)
90	Grün 8	000 ⇔ 255	0–100%
91	Feine grün 8	000 ⇔ 255	Feinkontrolle (16-Bit)
92	Blau 8	000 ⇔ 255	0–100%
93	Feine blau 8	000 ⇔ 255	Feinkontrolle (16-Bit)
94	Dimmer 9	000 ⇔ 255	0–100%
95	Feine dimmer 9	000 ⇔ 255	Feinkontrolle (16-Bit)
96	Rot 9	000 ⇔ 255	0–100%
97	Feine rot 9	000 ⇔ 255	Feinkontrolle (16-Bit)
98	Grün 9	000 ⇔ 255	0–100%
99	Feine grün 9	000 ⇔ 255	Feinkontrolle (16-Bit)
100	Blau 9	000 ⇔ 255	0–100%
101	Feine blau 9	000 ⇔ 255	Feinkontrolle (16-Bit)
102	Dimmer 10	000 ⇔ 255	0–100%
103	Feine dimmer 10	000 ⇔ 255	Feinkontrolle (16-Bit)
104	Rot 10	000 ⇔ 255	0–100%
105	Feine rot 10	000 ⇔ 255	Feinkontrolle (16-Bit)
106	Grün 10	000 ⇔ 255	0–100%
107	Feine grün 10	000 ⇔ 255	Feinkontrolle (16-Bit)
108	Blau 10	000 ⇔ 255	0–100%
109	Feine blau 10	000 ⇔ 255	Feinkontrolle (16-Bit)
110	Dimmer 11	000 ⇔ 255	0–100%
111	Feine dimmer 11	000 ⇔ 255	Feinkontrolle (16-Bit)
112	Rot 11	000 ⇔ 255	0–100%
113	Feine rot 11	000 ⇔ 255	Feinkontrolle (16-Bit)
114	Grün 11	000 ⇔ 255	0–100%
115	Feine grün 11	000 ⇔ 255	Feinkontrolle (16-Bit)
116	Blau 11	000 ⇔ 255	0–100%
117	Feine blau 11	000 ⇔ 255	Feinkontrolle (16-Bit)
118	Dimmer 12	000 ⇔ 255	0–100%
119	Feine dimmer 12	000 ⇔ 255	Feinkontrolle (16-Bit)
120	Rot 12	000 ⇔ 255	0–100%
121	Feine rot 12	000 ⇔ 255	Feinkontrolle (16-Bit)
122	Grün 12	000 ⇔ 255	0–100%
123	Feine grün 12	000 ⇔ 255	Feinkontrolle (16-Bit)
124	Blau 12	000 ⇔ 255	0–100%
125	Feine blau 12	000 ⇔ 255	Feinkontrolle (16-Bit)
126	Zentrumsdimmer	000 ⇔ 255	0–100%
127	Zentrums feine dimmer	000 ⇔ 255	Feinkontrolle (16-Bit)
128	Zentrums rot	000 ⇔ 255	0–100%
129	Zentrums feine rot	000 ⇔ 255	Feinkontrolle (16-Bit)
130	Zentrums grün	000 ⇔ 255	0–100%
131	Zentrums feine grün	000 ⇔ 255	Feinkontrolle (16-Bit)
132	Zentrums blau	000 ⇔ 255	0–100%
133	Zentrums feine blau	000 ⇔ 255	Feinkontrolle (16-Bit)
134	Zentrums weiß	000 ⇔ 255	0–100%
135	Zentrums feine weiß	000 ⇔ 255	Feinkontrolle (16-Bit)

111CH

Kanal	Funktion	Wert	Prozent/Einstellung
1	Schwenkung	000 ⇔ 255	0–100%
2	Feinschwenkung	000 ⇔ 255	Feinkontrolle (16-Bit)
3	Neigung	000 ⇔ 255	0–100%
4	Feinneigung	000 ⇔ 255	Feinkontrolle (16-Bit)
5	Geschwindigkeit	000 ⇔ 255	Schwenkung/Neigungs-Geschwindigkeit, Schnell bis langsam
6	CTC	000 001 ⇔ 255	Keine Funktion Farbtemperatur, 19000–2700K
7	Voreingestellte Ringsfarb	000 ⇔ 004 005 ⇔ 174 175 ⇔ 179 180 ⇔ 201 202 ⇔ 207 208 ⇔ 229 230 ⇔ 234 235 ⇔ 249 250 ⇔ 255	Keine Funktion Farb 1–34 (Siehe Voreingestellte Farbkarte [Keine Weiß]) Keine Funktion Farbblend, schnell bis langsam Anhalten Umgekehrte Farbblend, schnell bis langsam Keine Funktion Farbsprung, schnell bis langsam Keine Funktion
8	Voreingestellte Zentrumsfarb	000 ⇔ 004 005 ⇔ 174 175 ⇔ 179 180 ⇔ 201 202 ⇔ 207 208 ⇔ 229 230 ⇔ 234 235 ⇔ 249 250 ⇔ 255	Keine Funktion Farb 1–34 (Siehe Voreingestellte Farbkarte) Keine Funktion Farbblend, schnell bis langsam Anhalten Umgekehrte Farbblend, schnell bis langsam Keine Funktion Farbsprung, schnell bis langsam Keine Funktion
9	Muster	000 001 ⇔ 255	Keine Funktion Muster 1–255

Kanal	Funktion	Wert	Prozent/Einstellung
10	LED-Makro	000 ⇔ 005	Keine Funktion
		006 ⇔ 010	LED-Makro 1
		011 ⇔ 015	LED-Makro 2
		016 ⇔ 020	LED-Makro 3
		021 ⇔ 025	LED-Makro 4
		026 ⇔ 030	LED-Makro 5
		031 ⇔ 035	LED-Makro 6
		036 ⇔ 040	LED-Makro 7
		041 ⇔ 045	LED-Makro 8
		046 ⇔ 050	LED-Makro 9
		051 ⇔ 055	LED-Makro 10
		056 ⇔ 060	LED-Makro 11
		061 ⇔ 065	LED-Makro 12
		066 ⇔ 070	LED-Makro 13
		071 ⇔ 075	LED-Makro 14
		076 ⇔ 080	LED-Makro 15
		081 ⇔ 085	LED-Makro 16
		086 ⇔ 090	LED-Makro 17
		091 ⇔ 095	LED-Makro 18
		096 ⇔ 100	LED-Makro 19
		101 ⇔ 105	LED-Makro 20
		106 ⇔ 110	LED-Makro 21
		111 ⇔ 115	LED-Makro 22
		116 ⇔ 120	LED-Makro 23
		121 ⇔ 125	LED-Makro 24
		126 ⇔ 130	LED-Makro 25
		131 ⇔ 135	LED-Makro 26
		136 ⇔ 140	LED-Makro 27
		141 ⇔ 145	LED-Makro 28
		146 ⇔ 150	LED-Makro 29
		151 ⇔ 155	LED-Makro 30
		156 ⇔ 160	LED-Makro 31
161 ⇔ 165	LED-Makro 32		
166 ⇔ 170	LED-Makro 33		
171 ⇔ 175	LED-Makro 34		
176 ⇔ 180	LED-Makro 35		
181 ⇔ 185	LED-Makro 36		
186 ⇔ 190	LED-Makro 37		
191 ⇔ 195	LED-Makro 38		
199 ⇔ 200	LED-Makro 39		
201 ⇔ 205	LED-Makro 40		
206 ⇔ 210	LED-Makro 41		
211 ⇔ 215	LED-Makro 42		
216 ⇔ 255	Keine Funktion		
11	LED-Makro Geschwindigkeit	000 ⇔ 127 128 129 ⇔ 255	LED-Makro Geschwindigkeit, schnell bis langsam Anhalten Umgekehrte LED-Makro, langsam bis schnell
12	LED-Makroverzögerung	000 ⇔ 255	LED-Makroverzögerung, schnell bis langsam
13	Hintergrundfarbe	000 001 ⇔ 239 240 ⇔ 247 248 ⇔ 255	Keine Funktion Hintergrundfarben (Siehe Hintergrundfarbkarte) Farbblend, schnell bis langsam Farbsprung, schnell bis langsam
14	Hintergrunddimmer	000 ⇔ 255	0–100%
15	Hg. feine dimmer	000 ⇔ 255	Feinkontrolle (16-Bit)
16	Ringsdimmer	000 ⇔ 255	0–100%
17	Rings feine dimmer	000 ⇔ 255	Feinkontrolle (16-Bit)
18	Zentrumsdimmer	000 ⇔ 255	0–100%

Kanal	Funktion	Wert	Prozent/Einstellung
19	Zentrums feine dimmer	000 ⇔ 255	Feinkontrolle (16-Bit)
20	Ringstroboskop	000 ⇔ 019	Aus
		020 ⇔ 024	Ein
		025 ⇔ 069	Stroboskop, schnell bis langsam
		070 ⇔ 089	Verblassendes Stroboskop 100–0%, schnell bis langsam
		090 ⇔ 109	Verblassendes Stroboskop 0–100%, schnell bis langsam
		110 ⇔ 129	Zufälliges Stroboskop, schnell bis langsam
		130 ⇔ 149	Zufälliges verblassendes Stroboskop 100–0%, schnell bis langsam
		150 ⇔ 169	Zufälliges verblassendes Stroboskop 0–100%, schnell bis langsam
		170 ⇔ 189	Pulsstroboskop, schnell bis langsam
		190 ⇔ 209	Zufälliges Pulsstroboskop, schnell bis langsam
		210 ⇔ 229	Verblassendes Stroboskop 100–0–100%, schnell bis langsam
		230 ⇔ 244	Zufälliges Pulsstroboskop, schnell bis langsam
245 ⇔ 255	Ein		
21	Zentrumstroboskop	000 ⇔ 019	Aus
		020 ⇔ 024	Ein
		025 ⇔ 069	Stroboskop, schnell bis langsam
		070 ⇔ 089	Verblassendes Stroboskop 100–0%, schnell bis langsam
		090 ⇔ 109	Verblassendes Stroboskop 0–100%, schnell bis langsam
		110 ⇔ 129	Zufälliges Stroboskop, schnell bis langsam
		130 ⇔ 149	Zufälliges verblassendes Stroboskop 100–0%, schnell bis langsam
		150 ⇔ 169	Zufälliges verblassendes Stroboskop 0–100%, schnell bis langsam
		170 ⇔ 189	Pulsstroboskop, schnell bis langsam
		190 ⇔ 209	Zufälliges Pulsstroboskop, schnell bis langsam
		210 ⇔ 229	Verblassendes Stroboskop 100–0–100%, schnell bis langsam
		230 ⇔ 244	Zufälliges Pulsstroboskop, schnell bis langsam
245 ⇔ 255	Ein		
22	Zoomen	000 ⇔ 255	Heranzoomen bis Herauszoomen
23	Steuerung (*Aktiviert in 5 Sekunden)	000 ⇔ 009	Keine Funktion
		010 ⇔ 014	Schwenkung/Neigung Verdunkelung
		015 ⇔ 029	Reserviert für zukünftige Verwendung
		030 ⇔ 034	Synchronisieren Sie die Rings- und Zentrum-LEDs*
		035 ⇔ 039	Desynchronisieren Sie die Rings- und Zentrum-LEDs*
		040 ⇔ 044	Abtauen Ventilator aktiviert
		045 ⇔ 049	Abtauen Ventilator deaktiviert
		050 ⇔ 054	Schwenkung zurücksetzen*
		055 ⇔ 059	Neigung zurücksetzen*
		060 ⇔ 064	Zoomen zurücksetzen
		065 ⇔ 069	Reserviert für zukünftige Verwendung
		050 ⇔ 074	Alle zurücksetzen*
		075 ⇔ 119	Reserviert für zukünftige Verwendung
		120 ⇔ 124	Lüfter im ECO-Modus*
		125 ⇔ 129	Lüfter bei voller Geschwindigkeit*
		130 ⇔ 134	Automatische Geschwindigkeit des Lüfters*
		135 ⇔ 139	Schneller Dimmer*
		140 ⇔ 144	Glatter Dimmer*
		145 ⇔ 149	Lineare Dimmerkurve
		150 ⇔ 154	Quadratische Dimmerkurve
		155 ⇔ 159	Inverse quadratische Dimmerkurve
		160 ⇔ 164	S-Kurve Dimmerkurve
		165 ⇔ 169	WHITE-Modus
		170 ⇔ 174	FULL-Modus
		175 ⇔ 179	Einfarbige Kalibrierung aktiviert
		180 ⇔ 184	Einfarbige Kalibrierung deaktiviert
		185 ⇔ 239	Keine Funktion
		240 ⇔ 247	Kalibrierung aktiviert
248 ⇔ 255	Kalibrierung deaktiviert		

Kanal	Funktion	Wert	Prozent/Einstellung
24	Rot	000 ⇔ 255	0–100%
25	Feine rot	000 ⇔ 255	Feinkontrolle (16-Bit)
26	Grün	000 ⇔ 255	0–100%
27	Feine grün	000 ⇔ 255	Feinkontrolle (16-Bit)
28	Blau	000 ⇔ 255	0–100%
29	Feine blau	000 ⇔ 255	Feinkontrolle (16-Bit)
30	Weiß	000 ⇔ 255	0–100%
31	Feine weiß	000 ⇔ 255	Feinkontrolle (16-Bit)
32	Rot 1	000 ⇔ 255	0–100%
33	Feine rot 1	000 ⇔ 255	Feinkontrolle (16-Bit)
34	Grün 1	000 ⇔ 255	0–100%
35	Feine grün 1	000 ⇔ 255	Feinkontrolle (16-Bit)
36	Blau 1	000 ⇔ 255	0–100%
37	Feine blau 1	000 ⇔ 255	Feinkontrolle (16-Bit)
38	Rot 2	000 ⇔ 255	0–100%
39	Feine rot 2	000 ⇔ 255	Feinkontrolle (16-Bit)
40	Grün 2	000 ⇔ 255	0–100%
41	Feine grün 2	000 ⇔ 255	Feinkontrolle (16-Bit)
42	Blau 2	000 ⇔ 255	0–100%
43	Feine blau 2	000 ⇔ 255	Feinkontrolle (16-Bit)
44	Rot 3	000 ⇔ 255	0–100%
45	Feine rot 3	000 ⇔ 255	Feinkontrolle (16-Bit)
46	Grün 3	000 ⇔ 255	0–100%
47	Feine grün 3	000 ⇔ 255	Feinkontrolle (16-Bit)
48	Blau 3	000 ⇔ 255	0–100%
49	Feine blau 3	000 ⇔ 255	Feinkontrolle (16-Bit)
50	Rot 4	000 ⇔ 255	0–100%
51	Feine rot 4	000 ⇔ 255	Feinkontrolle (16-Bit)
52	Grün 4	000 ⇔ 255	0–100%
53	Feine grün 4	000 ⇔ 255	Feinkontrolle (16-Bit)
54	Blau 4	000 ⇔ 255	0–100%
55	Feine blau 4	000 ⇔ 255	Feinkontrolle (16-Bit)
56	Rot 5	000 ⇔ 255	0–100%
57	Feine rot 5	000 ⇔ 255	Feinkontrolle (16-Bit)
58	Grün 5	000 ⇔ 255	0–100%
59	Feine grün 5	000 ⇔ 255	Feinkontrolle (16-Bit)
60	Blau 5	000 ⇔ 255	0–100%
61	Feine blau 5	000 ⇔ 255	Feinkontrolle (16-Bit)
62	Rot 6	000 ⇔ 255	0–100%
63	Feine rot 6	000 ⇔ 255	Feinkontrolle (16-Bit)
64	Grün 6	000 ⇔ 255	0–100%
65	Feine grün 6	000 ⇔ 255	Feinkontrolle (16-Bit)
66	Blau 6	000 ⇔ 255	0–100%
67	Feine blau 6	000 ⇔ 255	Feinkontrolle (16-Bit)
68	Rot 7	000 ⇔ 255	0–100%
69	Feine rot 7	000 ⇔ 255	Feinkontrolle (16-Bit)
70	Grün 7	000 ⇔ 255	0–100%
71	Feine grün 7	000 ⇔ 255	Feinkontrolle (16-Bit)
72	Blau 7	000 ⇔ 255	0–100%
73	Feine blau 7	000 ⇔ 255	Feinkontrolle (16-Bit)
74	Rot 8	000 ⇔ 255	0–100%
75	Feine rot 8	000 ⇔ 255	Feinkontrolle (16-Bit)
76	Grün 8	000 ⇔ 255	0–100%
77	Feine grün 8	000 ⇔ 255	Feinkontrolle (16-Bit)
78	Blau 8	000 ⇔ 255	0–100%
79	Feine blau 8	000 ⇔ 255	Feinkontrolle (16-Bit)
80	Rot 9	000 ⇔ 255	0–100%

Kanal	Funktion	Wert	Prozent/Einstellung
81	Feine rot 9	000 ⇔ 255	Feinkontrolle (16-Bit)
82	Grün 9	000 ⇔ 255	0–100%
83	Feine grün 9	000 ⇔ 255	Feinkontrolle (16-Bit)
84	Blau 9	000 ⇔ 255	0–100%
85	Feine blau 9	000 ⇔ 255	Feinkontrolle (16-Bit)
86	Rot 10	000 ⇔ 255	0–100%
87	Feine rot 10	000 ⇔ 255	Feinkontrolle (16-Bit)
88	Grün 10	000 ⇔ 255	0–100%
89	Feine grün 10	000 ⇔ 255	Feinkontrolle (16-Bit)
90	Blau 10	000 ⇔ 255	0–100%
91	Feine blau 10	000 ⇔ 255	Feinkontrolle (16-Bit)
92	Rot 11	000 ⇔ 255	0–100%
93	Feine rot 11	000 ⇔ 255	Feinkontrolle (16-Bit)
94	Grün 11	000 ⇔ 255	0–100%
95	Feine grün 11	000 ⇔ 255	Feinkontrolle (16-Bit)
96	Blau 11	000 ⇔ 255	0–100%
97	Feine blau 11	000 ⇔ 255	Feinkontrolle (16-Bit)
98	Rot 12	000 ⇔ 255	0–100%
99	Feine rot 12	000 ⇔ 255	Feinkontrolle (16-Bit)
100	Grün 12	000 ⇔ 255	0–100%
101	Feine grün 12	000 ⇔ 255	Feinkontrolle (16-Bit)
102	Blau 12	000 ⇔ 255	0–100%
103	Feine blau 12	000 ⇔ 255	Feinkontrolle (16-Bit)
104	Zentrums rot	000 ⇔ 255	0–100%
105	Zentrums feine rot	000 ⇔ 255	Feinkontrolle (16-Bit)
106	Zentrums grün	000 ⇔ 255	0–100%
107	Zentrums feine grün	000 ⇔ 255	Feinkontrolle (16-Bit)
108	Zentrums blau	000 ⇔ 255	0–100%
109	Zentrums feine blau	000 ⇔ 255	Feinkontrolle (16-Bit)
110	Zentrums weiß	000 ⇔ 255	0–100%
111	Zentrums feine weiß	000 ⇔ 255	Feinkontrolle (16-Bit)

64CH

Kanal	Funktion	Wert	Prozent/Einstellung
1	Schwenkung	000 ⇔ 255	0–100%
2	Feinschwenkung	000 ⇔ 255	Feinkontrolle (16-Bit)
3	Neigung	000 ⇔ 255	0–100%
4	Feinneigung	000 ⇔ 255	Feinkontrolle (16-Bit)
5	Geschwindigkeit	000 ⇔ 255	Schwenkung/Neigungs-Geschwindigkeit, Schnell bis langsam
6	CTC	000	Keine Funktion
		001 ⇔ 255	Farbtemperatur, 19000–2700K
7	Voreingestellte Ringsfarb	000 ⇔ 004	Keine Funktion
		005 ⇔ 174	Farb 1–34 (Siehe Voreingestellte Farbkarte [Keine Weiß])
		175 ⇔ 179	Keine Funktion
		180 ⇔ 201	Farbblend, schnell bis langsam
		202 ⇔ 207	Anhalten
		208 ⇔ 229	Umgekehrte Farbblend, schnell bis langsam
		230 ⇔ 234	Keine Funktion
		235 ⇔ 249	Farbsprung, schnell bis langsam
		250 ⇔ 255	Keine Funktion

SCHNELLANLEITUNG



DE

Kanal	Funktion	Wert	Prozent/Einstellung
8	Voreingestellte Zentrumsfarb	000 ⇔ 004	Keine Funktion
		005 ⇔ 174	Farb 1–34 (Siehe Voreingestellte Farbkarte)
		175 ⇔ 179	Keine Funktion
		180 ⇔ 201	Farbblend, schnell bis langsam
		202 ⇔ 207	Anhalten
		208 ⇔ 229	Umgekehrte Farbblend, schnell bis langsam
		230 ⇔ 234	Keine Funktion
		235 ⇔ 249	Farbsprung, schnell bis langsam
		250 ⇔ 255	Keine Funktion
9	Muster	000	Keine Funktion
		001 ⇔ 255	Muster 1–255
10	LED-Makro	000 ⇔ 005	Keine Funktion
		006 ⇔ 010	LED-Makro 1
		011 ⇔ 015	LED-Makro 2
		016 ⇔ 020	LED-Makro 3
		021 ⇔ 025	LED-Makro 4
		026 ⇔ 030	LED-Makro 5
		031 ⇔ 035	LED-Makro 6
		036 ⇔ 040	LED-Makro 7
		041 ⇔ 045	LED-Makro 8
		046 ⇔ 050	LED-Makro 9
		051 ⇔ 055	LED-Makro 10
		056 ⇔ 060	LED-Makro 11
		061 ⇔ 065	LED-Makro 12
		066 ⇔ 070	LED-Makro 13
		071 ⇔ 075	LED-Makro 14
		076 ⇔ 080	LED-Makro 15
		081 ⇔ 085	LED-Makro 16
		086 ⇔ 090	LED-Makro 17
		091 ⇔ 095	LED-Makro 18
		096 ⇔ 100	LED-Makro 19
		101 ⇔ 105	LED-Makro 20
		106 ⇔ 110	LED-Makro 21
		111 ⇔ 115	LED-Makro 22
		116 ⇔ 120	LED-Makro 23
		121 ⇔ 125	LED-Makro 24
		126 ⇔ 130	LED-Makro 25
		131 ⇔ 135	LED-Makro 26
		136 ⇔ 140	LED-Makro 27
		141 ⇔ 145	LED-Makro 28
		146 ⇔ 150	LED-Makro 29
		151 ⇔ 155	LED-Makro 30
		156 ⇔ 160	LED-Makro 31
		161 ⇔ 165	LED-Makro 32
		166 ⇔ 170	LED-Makro 33
		171 ⇔ 175	LED-Makro 34
		176 ⇔ 180	LED-Makro 35
		181 ⇔ 185	LED-Makro 36
		186 ⇔ 190	LED-Makro 37
		191 ⇔ 195	LED-Makro 38
		199 ⇔ 200	LED-Makro 39
201 ⇔ 205	LED-Makro 40		
206 ⇔ 210	LED-Makro 41		
211 ⇔ 215	LED-Makro 42		
216 ⇔ 255	Keine Funktion		

Kanal	Funktion	Wert	Prozent/Einstellung
11	LED-Makro Geschwindigkeit	000 ⇔ 127	LED-Makro Geschwindigkeit, schnell bis langsam
		128	Anhalten
		129 ⇔ 255	Umgekehrte LED-Makro, langsam bis schnell
12	LED-Makroverzögerung	000 ⇔ 255	LED-Makroverzögerung, schnell bis langsam
13	Hintergrundfarbe	000	Keine Funktion
		001 ⇔ 239	Hintergrundfarben (Siehe Hintergrundfarbkarte)
		240 ⇔ 247	Farbblend, schnell bis langsam
		248 ⇔ 255	Farbsprung, schnell bis langsam
14	Hintergrunddimmer	000 ⇔ 255	0–100%
15	Ringsdimmer	000 ⇔ 255	0–100%
16	Zentrumsdimmer	000 ⇔ 255	0–100%
17	Ringstroboskop	000 ⇔ 019	Aus
		020 ⇔ 024	Ein
		025 ⇔ 069	Stroboskop, schnell bis langsam
		070 ⇔ 089	Verblassendes Stroboskop 100–0%, schnell bis langsam
		090 ⇔ 109	Verblassendes Stroboskop 0–100%, schnell bis langsam
		110 ⇔ 129	Zufälliges Stroboskop, schnell bis langsam
		130 ⇔ 149	Zufälliges verblassendes Stroboskop 100–0%, schnell bis langsam
		150 ⇔ 169	Zufälliges verblassendes Stroboskop 0–100%, schnell bis langsam
		170 ⇔ 189	Pulsstroboskop, schnell bis langsam
		190 ⇔ 209	Zufälliges Pulsstroboskop, schnell bis langsam
		210 ⇔ 229	Verblassendes Stroboskop 100–0–100%, schnell bis langsam
		230 ⇔ 244	Zufälliges Pulsstroboskop, schnell bis langsam
245 ⇔ 255	Ein		
18	Zentrumstroboskop	000 ⇔ 019	Aus
		020 ⇔ 024	Ein
		025 ⇔ 069	Stroboskop, schnell bis langsam
		070 ⇔ 089	Verblassendes Stroboskop 100–0%, schnell bis langsam
		090 ⇔ 109	Verblassendes Stroboskop 0–100%, schnell bis langsam
		110 ⇔ 129	Zufälliges Stroboskop, schnell bis langsam
		130 ⇔ 149	Zufälliges verblassendes Stroboskop 100–0%, schnell bis langsam
		150 ⇔ 169	Zufälliges verblassendes Stroboskop 0–100%, schnell bis langsam
		170 ⇔ 189	Pulsstroboskop, schnell bis langsam
		190 ⇔ 209	Zufälliges Pulsstroboskop, schnell bis langsam
		210 ⇔ 229	Verblassendes Stroboskop 100–0–100%, schnell bis langsam
		230 ⇔ 244	Zufälliges Pulsstroboskop, schnell bis langsam
245 ⇔ 255	Ein		
19	Zoomen	000 ⇔ 255	Heranzoomen bis Herauszoomen

Kanal	Funktion	Wert	Prozent/Einstellung
20	Steuerung (*Aktiviert in 5 Sekunden)	000 ⇔ 009	Keine Funktion
		010 ⇔ 014	Schwenkung/Neigung Verdunkelung
		015 ⇔ 029	Reserviert für zukünftige Verwendung
		030 ⇔ 034	Synchronisieren Sie die Rings- und Zentrum-LEDs*
		035 ⇔ 039	Desynchronisieren Sie die Rings- und Zentrum-LEDs*
		040 ⇔ 044	Abtauen Ventilator aktiviert
		045 ⇔ 049	Abtauen Ventilator deaktiviert
		050 ⇔ 054	Schwenkung zurücksetzen*
		055 ⇔ 059	Neigung zurücksetzen*
		060 ⇔ 064	Zoomen zurücksetzen
		065 ⇔ 069	Reserviert für zukünftige Verwendung
		050 ⇔ 074	Alle zurücksetzen*
		075 ⇔ 119	Reserviert für zukünftige Verwendung
		120 ⇔ 124	Lüfter im ECO-Modus*
		125 ⇔ 129	Lüfter bei voller Geschwindigkeit*
		130 ⇔ 134	Automatische Geschwindigkeit des Lüfters*
		135 ⇔ 139	Schneller Dimmer*
		140 ⇔ 144	Glatter Dimmer*
		145 ⇔ 149	Lineare Dimmerkurve
		150 ⇔ 154	Quadratische Dimmerkurve
		155 ⇔ 159	Inverse quadratische Dimmerkurve
		160 ⇔ 164	S-Kurve Dimmerkurve
		165 ⇔ 169	WHITE-Modus
		170 ⇔ 174	FULL-Modus
		175 ⇔ 179	Einfarbige Kalibrierung aktiviert
		180 ⇔ 184	Einfarbige Kalibrierung deaktiviert
185 ⇔ 239	Keine Funktion		
240 ⇔ 247	Kalibrierung aktiviert		
248 ⇔ 255	Kalibrierung deaktiviert		
21	Rot	000 ⇔ 255	0–100%
22	Grün	000 ⇔ 255	0–100%
23	Blau	000 ⇔ 255	0–100%
24	Weiß	000 ⇔ 255	0–100%
25	Rot 1	000 ⇔ 255	0–100%
26	Grün 1	000 ⇔ 255	0–100%
27	Blau 1	000 ⇔ 255	0–100%
28	Rot 2	000 ⇔ 255	0–100%
29	Grün 2	000 ⇔ 255	0–100%
30	Blau 2	000 ⇔ 255	0–100%
31	Rot 3	000 ⇔ 255	0–100%
32	Grün 3	000 ⇔ 255	0–100%
33	Blau 3	000 ⇔ 255	0–100%
34	Rot 4	000 ⇔ 255	0–100%
35	Grün 4	000 ⇔ 255	0–100%
36	Blau 4	000 ⇔ 255	0–100%
37	Rot 5	000 ⇔ 255	0–100%
38	Grün 5	000 ⇔ 255	0–100%
39	Blau 5	000 ⇔ 255	0–100%
40	Rot 6	000 ⇔ 255	0–100%
41	Grün 6	000 ⇔ 255	0–100%
42	Blau 6	000 ⇔ 255	0–100%
43	Rot 7	000 ⇔ 255	0–100%
44	Grün 7	000 ⇔ 255	0–100%
45	Blau 7	000 ⇔ 255	0–100%
46	Rot 8	000 ⇔ 255	0–100%
47	Grün 8	000 ⇔ 255	0–100%
48	Blau 8	000 ⇔ 255	0–100%

Kanal	Funktion	Wert	Prozent/Einstellung
49	Rot 9	000 ⇔ 255	0–100%
50	Grün 9	000 ⇔ 255	0–100%
51	Blau 9	000 ⇔ 255	0–100%
52	Rot 10	000 ⇔ 255	0–100%
53	Grün 10	000 ⇔ 255	0–100%
54	Blau 10	000 ⇔ 255	0–100%
55	Rot 11	000 ⇔ 255	0–100%
56	Grün 11	000 ⇔ 255	0–100%
57	Blau 11	000 ⇔ 255	0–100%
58	Rot 12	000 ⇔ 255	0–100%
59	Grün 12	000 ⇔ 255	0–100%
60	Blau 12	000 ⇔ 255	0–100%
61	Zentrums rot	000 ⇔ 255	0–100%
62	Zentrums grün	000 ⇔ 255	0–100%
63	Zentrums blau	000 ⇔ 255	0–100%
64	Zentrums weiß	000 ⇔ 255	0–100%

30CH

Kanal	Funktion	Wert	Prozent/Einstellung
1	Schwenkung	000 ⇔ 255	0–100%
2	Feinschwenkung	000 ⇔ 255	Feinkontrolle (16-Bit)
3	Neigung	000 ⇔ 255	0–100%
4	Feinneigung	000 ⇔ 255	Feinkontrolle (16-Bit)
5	Geschwindigkeit	000 ⇔ 255	Schwenkung/Neigungs-Geschwindigkeit, Schnell bis langsam
6	CTC	000 001 ⇔ 255	Keine Funktion Farbtemperatur, 19000–2700K
7	Voreingestellte Ringsfarb	000 ⇔ 004 005 ⇔ 174 175 ⇔ 179 180 ⇔ 201 202 ⇔ 207 208 ⇔ 229 230 ⇔ 234 235 ⇔ 249 250 ⇔ 255	Keine Funktion Farb 1–34 (Siehe Voreingestellte Farbkarte [Keine Weiß]) Keine Funktion Farbblend, schnell bis langsam Anhalten Umgekehrte Farbblend, schnell bis langsam Keine Funktion Farbsprung, schnell bis langsam Keine Funktion
8	Voreingestellte Zentrumsfarb	000 ⇔ 004 005 ⇔ 174 175 ⇔ 179 180 ⇔ 201 202 ⇔ 207 208 ⇔ 229 230 ⇔ 234 235 ⇔ 249 250 ⇔ 255	Keine Funktion Farb 1–34 (Siehe Voreingestellte Farbkarte) Keine Funktion Farbblend, schnell bis langsam Anhalten Umgekehrte Farbblend, schnell bis langsam Keine Funktion Farbsprung, schnell bis langsam Keine Funktion
9	Muster	000 001 ⇔ 255	Keine Funktion Muster 1–255

Kanal	Funktion	Wert	Prozent/Einstellung
10	LED-Makro	000 ⇔ 005	Keine Funktion
		006 ⇔ 010	LED-Makro 1
		011 ⇔ 015	LED-Makro 2
		016 ⇔ 020	LED-Makro 3
		021 ⇔ 025	LED-Makro 4
		026 ⇔ 030	LED-Makro 5
		031 ⇔ 035	LED-Makro 6
		036 ⇔ 040	LED-Makro 7
		041 ⇔ 045	LED-Makro 8
		046 ⇔ 050	LED-Makro 9
		051 ⇔ 055	LED-Makro 10
		056 ⇔ 060	LED-Makro 11
		061 ⇔ 065	LED-Makro 12
		066 ⇔ 070	LED-Makro 13
		071 ⇔ 075	LED-Makro 14
		076 ⇔ 080	LED-Makro 15
		081 ⇔ 085	LED-Makro 16
		086 ⇔ 090	LED-Makro 17
		091 ⇔ 095	LED-Makro 18
		096 ⇔ 100	LED-Makro 19
		101 ⇔ 105	LED-Makro 20
		106 ⇔ 110	LED-Makro 21
		111 ⇔ 115	LED-Makro 22
		116 ⇔ 120	LED-Makro 23
		121 ⇔ 125	LED-Makro 24
		126 ⇔ 130	LED-Makro 25
		131 ⇔ 135	LED-Makro 26
		136 ⇔ 140	LED-Makro 27
		141 ⇔ 145	LED-Makro 28
		146 ⇔ 150	LED-Makro 29
		151 ⇔ 155	LED-Makro 30
		156 ⇔ 160	LED-Makro 31
161 ⇔ 165	LED-Makro 32		
166 ⇔ 170	LED-Makro 33		
171 ⇔ 175	LED-Makro 34		
176 ⇔ 180	LED-Makro 35		
181 ⇔ 185	LED-Makro 36		
186 ⇔ 190	LED-Makro 37		
191 ⇔ 195	LED-Makro 38		
199 ⇔ 200	LED-Makro 39		
201 ⇔ 205	LED-Makro 40		
206 ⇔ 210	LED-Makro 41		
211 ⇔ 215	LED-Makro 42		
216 ⇔ 255	Keine Funktion		
11	LED-Makro Geschwindigkeit	000 ⇔ 127 128 129 ⇔ 255	LED-Makro Geschwindigkeit, schnell bis langsam Anhalten Umgekehrte LED-Makro, langsam bis schnell
12	LED-Makroverzögerung	000 ⇔ 255	LED-Makroverzögerung, schnell bis langsam
13	Hintergrundfarbe	000 001 ⇔ 239 240 ⇔ 247 248 ⇔ 255	Keine Funktion Hintergrundfarben (Siehe Hintergrundfarbkarte) Farbblend, schnell bis langsam Farbsprung, schnell bis langsam
14	Hintergrunddimmer	000 ⇔ 255	0–100%
15	Ringsdimmer	000 ⇔ 255	0–100%
16	Rings feine dimmer	000 ⇔ 255	Feinkontrolle (16-Bit)
17	Zentrumsdimmer	000 ⇔ 255	0–100%
18	Zentrums feine dimmer	000 ⇔ 255	Feinkontrolle (16-Bit)

Kanal	Funktion	Wert	Prozent/Einstellung
19	Ringstroboskop	000 ⇔ 019	Aus
		020 ⇔ 024	Ein
		025 ⇔ 069	Stroboskop, schnell bis langsam
		070 ⇔ 089	Verblassendes Stroboskop 100–0%, schnell bis langsam
		090 ⇔ 109	Verblassendes Stroboskop 0–100%, schnell bis langsam
		110 ⇔ 129	Zufälliges Stroboskop, schnell bis langsam
		130 ⇔ 149	Zufälliges verblassendes Stroboskop 100–0%, schnell bis langsam
		150 ⇔ 169	Zufälliges verblassendes Stroboskop 0–100%, schnell bis langsam
		170 ⇔ 189	Pulsstroboskop, schnell bis langsam
		190 ⇔ 209	Zufälliges Pulsstroboskop, schnell bis langsam
		210 ⇔ 229	Verblassendes Stroboskop 100–0–100%, schnell bis langsam
		230 ⇔ 244	Zufälliges Pulsstroboskop, schnell bis langsam
		245 ⇔ 255	Ein
20	Zentrumstroboskop	000 ⇔ 019	Aus
		020 ⇔ 024	Ein
		025 ⇔ 069	Stroboskop, schnell bis langsam
		070 ⇔ 089	Verblassendes Stroboskop 100–0%, schnell bis langsam
		090 ⇔ 109	Verblassendes Stroboskop 0–100%, schnell bis langsam
		110 ⇔ 129	Zufälliges Stroboskop, schnell bis langsam
		130 ⇔ 149	Zufälliges verblassendes Stroboskop 100–0%, schnell bis langsam
		150 ⇔ 169	Zufälliges verblassendes Stroboskop 0–100%, schnell bis langsam
		170 ⇔ 189	Pulsstroboskop, schnell bis langsam
		190 ⇔ 209	Zufälliges Pulsstroboskop, schnell bis langsam
		210 ⇔ 229	Verblassendes Stroboskop 100–0–100%, schnell bis langsam
		230 ⇔ 244	Zufälliges Pulsstroboskop, schnell bis langsam
		245 ⇔ 255	Ein
21	Zoomen	000 ⇔ 255	Heranzoomen bis Herauszoomen
22	Steuerung (*Aktiviert in 5 Sekunden)	000 ⇔ 009	Keine Funktion
		010 ⇔ 014	Schwenkung/Neigung Verdunkelung
		015 ⇔ 029	Reserviert für zukünftige Verwendung
		030 ⇔ 034	Synchronisieren Sie die Rings- und Zentrum-LEDs*
		035 ⇔ 039	Desynchronisieren Sie die Rings- und Zentrum-LEDs*
		040 ⇔ 044	Abtauen Ventilator aktiviert
		045 ⇔ 049	Abtauen Ventilator deaktiviert
		050 ⇔ 054	Schwenkung zurücksetzen*
		055 ⇔ 059	Neigung zurücksetzen*
		060 ⇔ 064	Zoomen zurücksetzen
		065 ⇔ 069	Reserviert für zukünftige Verwendung
		050 ⇔ 074	Alle zurücksetzen*
		075 ⇔ 119	Reserviert für zukünftige Verwendung
		120 ⇔ 124	Lüfter im ECO-Modus*
		125 ⇔ 129	Lüfter bei voller Geschwindigkeit*
		130 ⇔ 134	Automatische Geschwindigkeit des Lüfters*
		135 ⇔ 139	Schneller Dimmer*
		140 ⇔ 144	Glatter Dimmer*
		145 ⇔ 149	Lineare Dimmerkurve
		150 ⇔ 154	Quadratische Dimmerkurve
		155 ⇔ 159	Inverse quadratische Dimmerkurve
		160 ⇔ 164	S-Kurve Dimmerkurve
		165 ⇔ 169	WHITE-Modus
		170 ⇔ 174	FULL-Modus
		175 ⇔ 179	Einfarbige Kalibrierung aktiviert
		180 ⇔ 184	Einfarbige Kalibrierung deaktiviert
		185 ⇔ 239	Keine Funktion
		240 ⇔ 247	Kalibrierung aktiviert
248 ⇔ 255	Kalibrierung deaktiviert		
23	Rot	000 ⇔ 255	0–100%

Kanal	Funktion	Wert	Prozent/Einstellung
24	Feine rot	000 ⇔ 255	Feinkontrolle (16-Bit)
25	Grün	000 ⇔ 255	0–100%
26	Feine grün	000 ⇔ 255	Feinkontrolle (16-Bit)
27	Blau	000 ⇔ 255	0–100%
28	Feine blau	000 ⇔ 255	Feinkontrolle (16-Bit)
29	Weiß	000 ⇔ 255	0–100%
30	Feine weiß	000 ⇔ 255	Feinkontrolle (16-Bit)

24CH

Kanal	Funktion	Wert	Prozent/Einstellung
1	Schwenkung	000 ⇔ 255	0–100%
2	Feinschwenkung	000 ⇔ 255	Feinkontrolle (16-Bit)
3	Neigung	000 ⇔ 255	0–100%
4	Feinneigung	000 ⇔ 255	Feinkontrolle (16-Bit)
5	Geschwindigkeit	000 ⇔ 255	Schwenkung/Neigungs-Geschwindigkeit, Schnell bis langsam
6	CTC	000 001 ⇔ 255	Keine Funktion Farbtemperatur, 19000–2700K
7	Voreingestellte Ringsfarb	000 ⇔ 004 005 ⇔ 174 175 ⇔ 179 180 ⇔ 201 202 ⇔ 207 208 ⇔ 229 230 ⇔ 234 235 ⇔ 249 250 ⇔ 255	Keine Funktion Farb 1–34 (Siehe Voreingestellte Farbkarte [Keine Weiß]) Keine Funktion Farbblend, schnell bis langsam Anhalten Umgekehrte Farbblend, schnell bis langsam Keine Funktion Farbsprung, schnell bis langsam Keine Funktion
8	Voreingestellte Zentrumsfarb	000 ⇔ 004 005 ⇔ 174 175 ⇔ 179 180 ⇔ 201 202 ⇔ 207 208 ⇔ 229 230 ⇔ 234 235 ⇔ 249 250 ⇔ 255	Keine Funktion Farb 1–34 (Siehe Voreingestellte Farbkarte) Keine Funktion Farbblend, schnell bis langsam Anhalten Umgekehrte Farbblend, schnell bis langsam Keine Funktion Farbsprung, schnell bis langsam Keine Funktion
9	Muster	000 001 ⇔ 255	Keine Funktion Muster 1–255

Kanal	Funktion	Wert	Prozent/Einstellung
10	LED-Makro	000 ⇔ 005	Keine Funktion
		006 ⇔ 010	LED-Makro 1
		011 ⇔ 015	LED-Makro 2
		016 ⇔ 020	LED-Makro 3
		021 ⇔ 025	LED-Makro 4
		026 ⇔ 030	LED-Makro 5
		031 ⇔ 035	LED-Makro 6
		036 ⇔ 040	LED-Makro 7
		041 ⇔ 045	LED-Makro 8
		046 ⇔ 050	LED-Makro 9
		051 ⇔ 055	LED-Makro 10
		056 ⇔ 060	LED-Makro 11
		061 ⇔ 065	LED-Makro 12
		066 ⇔ 070	LED-Makro 13
		071 ⇔ 075	LED-Makro 14
		076 ⇔ 080	LED-Makro 15
		081 ⇔ 085	LED-Makro 16
		086 ⇔ 090	LED-Makro 17
		091 ⇔ 095	LED-Makro 18
		096 ⇔ 100	LED-Makro 19
		101 ⇔ 105	LED-Makro 20
		106 ⇔ 110	LED-Makro 21
		111 ⇔ 115	LED-Makro 22
		116 ⇔ 120	LED-Makro 23
		121 ⇔ 125	LED-Makro 24
		126 ⇔ 130	LED-Makro 25
		131 ⇔ 135	LED-Makro 26
		136 ⇔ 140	LED-Makro 27
		141 ⇔ 145	LED-Makro 28
		146 ⇔ 150	LED-Makro 29
		151 ⇔ 155	LED-Makro 30
156 ⇔ 160	LED-Makro 31		
161 ⇔ 165	LED-Makro 32		
166 ⇔ 170	LED-Makro 33		
171 ⇔ 175	LED-Makro 34		
176 ⇔ 180	LED-Makro 35		
181 ⇔ 185	LED-Makro 36		
186 ⇔ 190	LED-Makro 37		
191 ⇔ 195	LED-Makro 38		
199 ⇔ 200	LED-Makro 39		
201 ⇔ 205	LED-Makro 40		
206 ⇔ 210	LED-Makro 41		
211 ⇔ 215	LED-Makro 42		
216 ⇔ 255	Keine Funktion		
11	LED-Makro Geschwindigkeit	000 ⇔ 127 128 129 ⇔ 255	LED-Makro Geschwindigkeit, schnell bis langsam Anhalten Umgekehrte LED-Makro, langsam bis schnell
12	LED-Makroverzögerung	000 ⇔ 255 000	LED-Makroverzögerung, schnell bis langsam Keine Funktion
13	Hintergrundfarbe	001 ⇔ 239 240 ⇔ 247 248 ⇔ 255	Hintergrundfarben (Siehe Hintergrundfarbkarte) Farblend, schnell bis langsam Farbsprung, schnell bis langsam
14	Hintergrunddimmer	000 ⇔ 255	0–100%
15	Ringsdimmer	000 ⇔ 255	0–100%
16	Zentrumsdimmer	000 ⇔ 255	0–100%

Kanal	Funktion	Wert	Prozent/Einstellung
17	Ringstroboskop	000 ⇄ 019	Aus
		020 ⇄ 024	Ein
		025 ⇄ 069	Stroboskop, schnell bis langsam
		070 ⇄ 089	Verblassendes Stroboskop 100–0%, schnell bis langsam
		090 ⇄ 109	Verblassendes Stroboskop 0–100%, schnell bis langsam
		110 ⇄ 129	Zufälliges Stroboskop, schnell bis langsam
		130 ⇄ 149	Zufälliges verblassendes Stroboskop 100–0%, schnell bis langsam
		150 ⇄ 169	Zufälliges verblassendes Stroboskop 0–100%, schnell bis langsam
		170 ⇄ 189	Pulsstroboskop, schnell bis langsam
		190 ⇄ 209	Zufälliges Pulsstroboskop, schnell bis langsam
		210 ⇄ 229	Verblassendes Stroboskop 100–0–100%, schnell bis langsam
		230 ⇄ 244	Zufälliges Pulsstroboskop, schnell bis langsam
		245 ⇄ 255	Ein
18	Zentrumstroboskop	000 ⇄ 019	Aus
		020 ⇄ 024	Ein
		025 ⇄ 069	Stroboskop, schnell bis langsam
		070 ⇄ 089	Verblassendes Stroboskop 100–0%, schnell bis langsam
		090 ⇄ 109	Verblassendes Stroboskop 0–100%, schnell bis langsam
		110 ⇄ 129	Zufälliges Stroboskop, schnell bis langsam
		130 ⇄ 149	Zufälliges verblassendes Stroboskop 100–0%, schnell bis langsam
		150 ⇄ 169	Zufälliges verblassendes Stroboskop 0–100%, schnell bis langsam
		170 ⇄ 189	Pulsstroboskop, schnell bis langsam
		190 ⇄ 209	Zufälliges Pulsstroboskop, schnell bis langsam
		210 ⇄ 229	Verblassendes Stroboskop 100–0–100%, schnell bis langsam
		230 ⇄ 244	Zufälliges Pulsstroboskop, schnell bis langsam
		245 ⇄ 255	Ein
19	Zoomen	000 ⇄ 255	Heranzoomen bis Herauszoomen
20	Steuerung (*Aktiviert in 5 Sekunden)	000 ⇄ 009	Keine Funktion
		010 ⇄ 014	Schwenkung/Neigung Verdunkelung
		015 ⇄ 029	Reserviert für zukünftige Verwendung
		030 ⇄ 034	Synchronisieren Sie die Rings- und Zentrum-LEDs*
		035 ⇄ 039	Desynchronisieren Sie die Rings- und Zentrum-LEDs*
		040 ⇄ 044	Abtauen Ventilator aktiviert
		045 ⇄ 049	Abtauen Ventilator deaktiviert
		050 ⇄ 054	Schwenkung zurücksetzen*
		055 ⇄ 059	Neigung zurücksetzen*
		060 ⇄ 064	Zoomen zurücksetzen
		065 ⇄ 069	Reserviert für zukünftige Verwendung
		070 ⇄ 074	Alle zurücksetzen*
		075 ⇄ 119	Reserviert für zukünftige Verwendung
		120 ⇄ 124	Lüfter im ECO-Modus*
		125 ⇄ 129	Lüfter bei voller Geschwindigkeit*
		130 ⇄ 134	Automatische Geschwindigkeit des Lüfters*
		135 ⇄ 139	Schneller Dimmer*
		140 ⇄ 144	Glatter Dimmer*
		145 ⇄ 149	Lineare Dimmerkurve
		150 ⇄ 154	Quadratische Dimmerkurve
		155 ⇄ 159	Inverse quadratische Dimmerkurve
		160 ⇄ 164	S-Kurve Dimmerkurve
		165 ⇄ 169	WHITE-Modus
		170 ⇄ 174	FULL-Modus
		175 ⇄ 179	Einfarbige Kalibrierung aktiviert
		180 ⇄ 184	Einfarbige Kalibrierung deaktiviert
185 ⇄ 239	Keine Funktion		
240 ⇄ 247	Kalibrierung aktiviert		
248 ⇄ 255	Kalibrierung deaktiviert		
21	Rot	000 ⇄ 255	0–100%
22	Grün	000 ⇄ 255	0–100%
23	Blau	000 ⇄ 255	0–100%
24	Weiß	000 ⇄ 255	0–100%

15CH

Kanal	Funktion	Wert	Prozent/Einstellung
1	Schwenkung	000 ⇔ 255	0–100%
2	Feinschwenkung	000 ⇔ 255	Feinkontrolle (16-Bit)
3	Neigung	000 ⇔ 255	0–100%
4	Feinneigung	000 ⇔ 255	Feinkontrolle (16-Bit)
5	Geschwindigkeit	000 ⇔ 255	Schwenkung/Neigungs-Geschwindigkeit, Schnell bis langsam
6	Dimmer	000 ⇔ 255	0–100%
7	Feine dimmer	000 ⇔ 255	Feinkontrolle (16-Bit)
8	Stroboskop	000 ⇔ 019	Aus
		020 ⇔ 024	Ein
		025 ⇔ 069	Stroboskop, schnell bis langsam
		070 ⇔ 089	Verblassendes Stroboskop 100–0%, schnell bis langsam
		090 ⇔ 109	Verblassendes Stroboskop 0–100%, schnell bis langsam
		110 ⇔ 129	Zufälliges Stroboskop, schnell bis langsam
		130 ⇔ 149	Zufälliges verblassendes Stroboskop 100–0%, schnell bis langsam
		150 ⇔ 169	Zufälliges verblassendes Stroboskop 0–100%, schnell bis langsam
		170 ⇔ 189	Pulsstroboskop, schnell bis langsam
		190 ⇔ 209	Zufälliges Pulsstroboskop, schnell bis langsam
		210 ⇔ 229	Verblassendes Stroboskop 100–0–100%, schnell bis langsam
		230 ⇔ 244	Zufälliges Pulsstroboskop, schnell bis langsam
245 ⇔ 255	Ein		
9	Rot	000 ⇔ 255	0–100%
10	Grün	000 ⇔ 255	0–100%
11	Blau	000 ⇔ 255	0–100%
12	Weiß	000 ⇔ 255	0–100%
13	Voreingestellte Farb	000 ⇔ 004	Keine Funktion
		005 ⇔ 174	Farb 1–34 (Siehe Voreingestellte Farbkarte [Keine Weiß])
		175 ⇔ 179	Keine Funktion
		180 ⇔ 201	Farbblend, schnell bis langsam
		202 ⇔ 207	Anhalten
		208 ⇔ 229	Umgekehrte Farbblend, schnell bis langsam
		230 ⇔ 234	Keine Funktion
		235 ⇔ 249	Farbsprung, schnell bis langsam
250 ⇔ 255	Keine Funktion		
14	Zoomen	000 ⇔ 255	Heranzoomen bis Herauszoomen
15	Steuerung (*Aktiviert in 5 Sekunden)	000 ⇔ 009	Keine Funktion
		010 ⇔ 014	Schwenkung/Neigung Verdunkelung
		015 ⇔ 029	Reserviert für zukünftige Verwendung
		030 ⇔ 034	Synchronisieren Sie die Rings- und Zentrum-LEDs*
		035 ⇔ 039	Desynchronisieren Sie die Rings- und Zentrum-LEDs*
		040 ⇔ 044	Abtauen Ventilator aktiviert
		045 ⇔ 049	Abtauen Ventilator deaktiviert
		050 ⇔ 054	Schwenkung zurücksetzen*
		055 ⇔ 059	Neigung zurücksetzen*
		060 ⇔ 064	Zoomen zurücksetzen
		065 ⇔ 069	Reserviert für zukünftige Verwendung
		050 ⇔ 074	Alle zurücksetzen*
		075 ⇔ 119	Reserviert für zukünftige Verwendung
		120 ⇔ 124	Lüfter im ECO-Modus*
		125 ⇔ 129	Lüfter bei voller Geschwindigkeit*
		130 ⇔ 134	Automatische Geschwindigkeit des Lüfters*
		135 ⇔ 139	Schneller Dimmer*
		140 ⇔ 144	Glatte Dimmer*
		145 ⇔ 149	Lineare Dimmerkurve
		150 ⇔ 154	Quadratische Dimmerkurve
		155 ⇔ 159	Inverse quadratische Dimmerkurve
		160 ⇔ 164	S-Kurve Dimmerkurve
		165 ⇔ 169	WHITE-Modus
170 ⇔ 174	FULL-Modus		
175 ⇔ 179	Einfarbige Kalibrierung aktiviert		
180 ⇔ 184	Einfarbige Kalibrierung deaktiviert		
185 ⇔ 239	Keine Funktion		
240 ⇔ 247	Kalibrierung aktiviert		
248 ⇔ 255	Kalibrierung deaktiviert		

Over deze handleiding

De Rogue Outcast 1 Beam Wash Beknopte Handleiding (BH) bevat basisinformatie over het product, zoals montage, menu-opties en DMX-waarden. Download de gebruikershandleiding op www.chauvetprofessional.com voor meer informatie.

Disclaimer

De informatie en specificaties in deze BH kunnen zonder voorafgaande kennisgeving worden gewijzigd.

BEPERKTE GARANTIE

GA NAAR ONZE WEBSITE VOOR REGISTRATIE VAN DE GARANTIE EN DE VOLLEDIGE ALGEMENE VOORWAARDEN.

Voor klanten in de Verenigde Staten en Mexico: www.chauvetlighting.com/warranty-registration.

Voor klanten in het Verenigd Koninkrijk, Ierland, België, Nederland, Luxemburg, Frankrijk en Duitsland: www.chauvetlighting.eu/warranty-registration.

Chauvet garandeert dat dit product bij normaal gebruik vrij zal blijven van defecten in materiaal en vakmanschap, voor de opgegeven periode en onder voorbehoud van de uitzonderingen en beperkingen die zijn uiteengezet in de volledige beperkte garantie op onze website. Deze garantie geldt uitsluitend voor de oorspronkelijke koper van het product en is niet overdraagbaar. Om onder deze garantie rechten uit te oefenen, moet u een aankoopbewijs overleggen in de vorm van een origineel verkoopbewijs van een geautoriseerde dealer, waarop de naam van het product en de aankoopdatum zichtbaar zijn. ER ZIJN GEEN ANDERE EXPLICIETE OF IMPLICIETE GARANTIES. Deze garantie geeft u specifieke wettelijke rechten. Mogelijk heeft u ook andere rechten die van staat tot staat en van land tot land verschillen. Deze garantie is uitsluitend geldig in de Verenigde Staten, het Verenigd Koninkrijk, Ierland, België, Nederland, Luxemburg, Frankrijk, Duitsland en Mexico. Neem contact op met uw lokale verkoper voor garantievoorwaarden in andere landen.

Veiligheidsinstructies

- De armatuur moet zodanig geplaatst worden dat langdurig staren in de armatuur op een afstand van minder dan 18,04 voet (5,5 m) voorkomen wordt.
- Als de externe flexibele kabel of het snoer van deze armatuur beschadigd is, moet deze worden vervangen door een speciaal snoer of een snoer dat uitsluitend beschikbaar is bij de fabrikant of zijn onderhoudsagent.
- De lichtbron die in deze armatuur omvat is mag alleen vervangen worden door de fabrikant, of diens onderhoudsagent of een soortgelijk erkend persoon.
- De armatuur is uitsluitend bedoeld voor professioneel gebruik.
- Open het product NIET. Het bevat geen te onderhouden onderdelen.
- KIJK NIET in de lichtbron wanneer het apparaat is ingeschakeld.
- Gebruik dit product NIET als de behuizing, lenzen of kabels beschadigd lijken.
- Sluit dit product NIET aan op een dimmer of een regelweerstand.
- Sluit dit product UITSLUITEND op een geaard en beveiligd stroomcircuit.
- Dit product NIET onderdompelen (IP65). Tijdelijke gebruik buitenshuis is prima.
- Niet voor permanente buiteninstallatie in locaties met extreme weersomstandigheden. Dit is met inbegrip van, maar niet beperkt tot:
 - Blootstelling aan een marien/zout milieu (binnen 5 km van zout water).
 - Waar de gebruikelijke hoge of lage temperaturen van de locatie de temperatuurbereiken in deze handleiding overschrijden.
 - Locaties die kunnen overstromen of onder sneeuw begraven kunnen worden.
 - Andere gebieden waar het product blootstaat aan extreme straling of bijtende substanties.
- LET OP: Bij het verplaatsen van het product uit extreme omgevingen, (bijv. koude vrachtwagen naar warme, vochtige balzaal) kan er condensvorming optreden op de elektronica van het product. Om storingen te vermijden moet het product volledig kunnen acclimatiseren aan de omgeving voordat het op stroom wordt aangesloten.
- LET OP: De behuizing van dit product kan heet zijn wanneer het in bedrijf is.
- Plaats geen ontvlambaar materiaal binnen 50 cm van dit product als het in gebruik is of is aangesloten op het stopcontact.
- GEBRUIK een veiligheidskabel bij het boven het hoofd plaatsen van dit product.
- Om onnodige slijtage te elimineren en zijn levensduur te verlengen, gedurende perioden wanneer het product niet wordt gebruikt, moet u het product van de stroom afsluiten door een aardlekschakelaar om te zetten of door het te ontkoppelen.
- Gebruik UITSLUITEND de montagebeugels of de hendels om dit product te dragen. Draag het product niet aan de bewegende kop.
- Monteer dit product op een plek met voldoende ventilatie, ten minste 50 cm van de aangrenzende oppervlakken.
- Stop in het geval van ernstige operationele problemen onmiddellijk met het gebruik.
- De maximale omgevingstemperatuur bedraagt 45 °C. Gebruik dit product niet bij hogere temperaturen.

Contact

Van buiten de VS, Verenigd Koninkrijk, Ierland, Benelux, Frankrijk, Duitsland of Mexico kunt u contact opnemen met de distributeur of om ondersteuning vragen dan wel het product retourneren. Raadpleeg [Contact Us](#) aan het einde van deze BH voor contactinformatie.

Wat is inbegrepen

- Rogue Outcast 1 Beam Wash
- 2 Omegabeugels met bevestigingsapparatuur
- Seetronic Powerkon IP65 stroomsnoer
- Beknopte handleiding

AC-stroom

Dit product heeft een voeding met automatisch bereik die werkt met een ingangsspanning van 100–240 VAC, 50/60 Hz.

AC-stekker

Aansluiting	Snoer (VS)	Snoer (Europa)	Schroefkleur
AC Live	Zwart	Bruin	Geel/messing
AC Neutraal	Wit	Blauw	Zilver
AC Aarde	Groen/geel	Groen/geel	Groen

Stroom-linking

U kunt tot 3 Rogue Outcast 1 Beam Wash-producten koppelen bij 100 V, 4 producten bij 120 V, 7 producten bij 208 V, 7 producten bij 230 V of 8 producten bij 240 V. Dit aantal niet overschrijden. Power Linking-snoeren kunnen apart aangeschaft worden.



Om onnodige slijtage te elimineren en zijn levensduur te verlengen, gedurende perioden wanneer het product niet wordt gebruikt, moet u het product van de stroom afsluiten door een aardlekschakelaar om te zetten of door het te ontkoppelen.

De zekering vervangen

1. Ontkoppel dit product van de stroom.
2. Gebruik een platkopschroevendraaier en schroef de kap van de zekeringhouder los van de behuizing.
3. Verwijder de doorgebrande zekering en vervang het met een werkende zekering van hetzelfde type en met dezelfde waarde.
4. Schroef de kap van de zekeringhouder terug en steek de stekker er weer in.

DMX-koppeling

De Rogue Outcast 1 Beam Wash kan met een DMX-controller werken met een 5-pins DMX seriële verbinding. Op www.chauvetprofessional.com is een DMX basishandleiding verkrijgbaar.

DMX-aansluiting

De Rogue Outcast 1 Beam Wash gebruikt een 5-pins DMX-gegevensverbinding voor zijn DMX-persoonlijkheden: **315Ch**, **24Ch**, **30Ch**, **64Ch**, **111Ch**, en **135Ch**. Zie de gebruikershandleiding om te verbinden en te configureren voor DMX-werking.

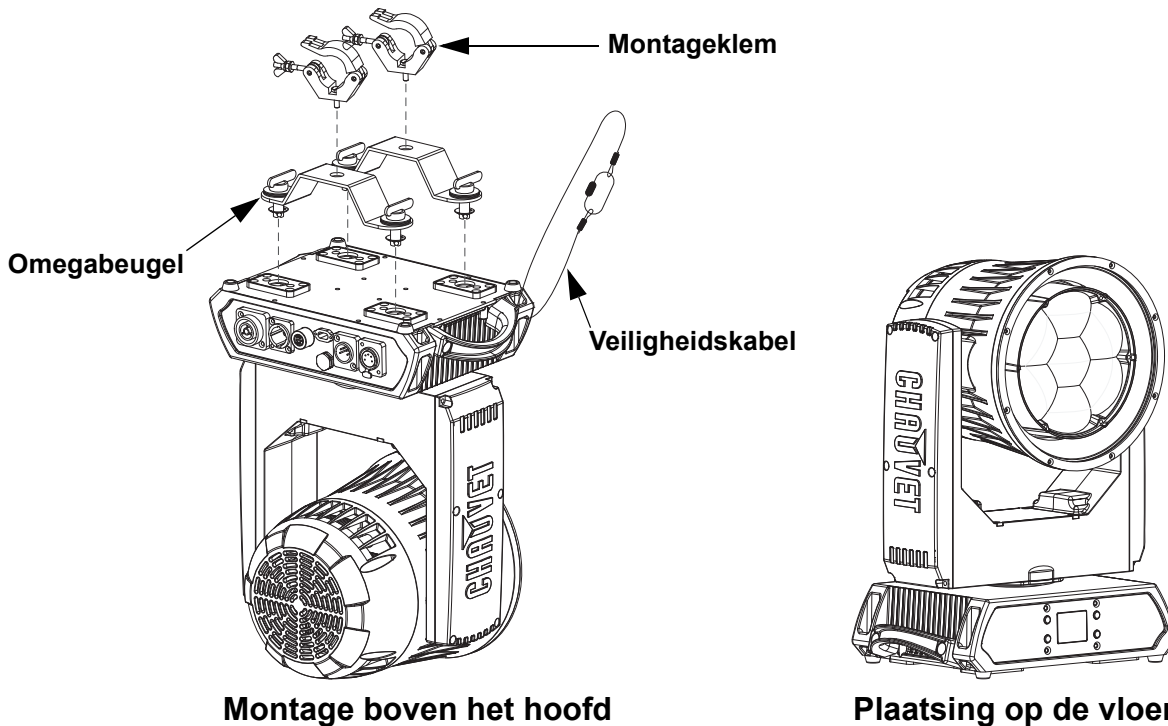
RDM (apparaatbeheer op afstand)

Remote Device Management of RDM (apparaatbeheer op afstand) is een standaard die het voor DMX-apparaten mogelijk maakt om in twee richtingen te communiceren over bestaande DMX-kabels. De Rogue Outcast 1 Beam Wash ondersteunt het RDM-protocol dat zorgt feedback toelaat bij de bewaking van wijzigingen aan de menu map-opties van. Download de gebruikershandleiding op www.chauvetprofessional.com voor meer informatie.

Montage

Lees alvorens dit product te monteren alle [Veiligheidsinstructies](#). Gebruik ten minste twee montagepunten per product. Controleer of de montageklem het gewicht van het product kan dragen. Ga voor onze Chauvet-serie montageklemmen naar <http://trusst.com/productcategory/truss-clamps/>.

Montagediagram van het product



Beschrijving bedieningspaneel

Toet	Functie
<MENU>	Sluit het huidige menu of functie af
<ENTER>	Activeert het huidige getoonde menu of plaatst de huidige geselecteerde waarde in de geselecteerde functie
<UP>	Navigeert omhoog via het menu of verhoogt de numerieke waarde wanneer in een functie
<DOWN>	Navigeert omlaag via het menu of verlaagt de numerieke waarde wanneer in een functie

Menukaart

Raadpleeg de productpagina van Rogue Outcast 1 Beam Wash op www.chauvetprofessional.com voor de nieuwste menukaart.

Hoofdniveau	Programmeerniveaus		Beschrijving	
Address	001-497		Stelt het startadres in	
Run Mode	DMX	15CH	Selecteert de DMX-persoonlijkheid	
		24CH		
		30CH		
		64CH		
		111CH		
		135CH		
	Auto Test		Test alle functies automatisch	
	Manual Test	Pan	0-255	Test en regel alle instellingen handmatig via het bedieningspaneel
		Tilt		
		Dimmer		
		Shutter		
		Red 1		
		Green 1		
		Blue 1		
		Red 2		
		Green 2		
		Blue 2		
		Red 3		
		Green 3		
		Blue 3		
Red 4				
Green 4				
Blue 4				
Red 5				
Green 5				
Blue 5				
Red 6				
Green 6				
Blue 6				
Red 7				
Green 7				
Blue 7				
Red 8				
Green 8				
Blue 8				
Red 9				
Green 9				
Blue 9				
Red 10				
Green 10				
Blue 10				
Red 11				
Green 11				
Blue 11				
Red 12				
Green 12				
Blue 12				
Red 13				
Green 13				
Blue 13				
White 13				
Zoom				

Hoofdniveau	Programmeerniveaus		Beschrijving	
Setup	Pan Reverse	OFF	Normale zwenkbediening	
		ON	Omgekeerde zwenkbediening	
	Tilt Reverse	OFF	Normale kantelbediening	
		ON	Omgekeerde kantelbediening	
	Pan Angle	540	540° zwenkhoekbereik	
		360	360° zwenkhoekbereik	
		180	180° zwenkhoekbereik	
	Tilt Angle	260	260° kantelhoekbereik	
		180	180° kantelhoekbereik	
		90	90° kantelhoekbereik	
	Fans	Auto	Ventilatorsnelheid in overeenstemming met de producttemperatuur	
		Full	Ventilatorsnelheid op hoog ingesteld	
		ECO	Stille modus	
	Display	OFF	Beeldscherm schakelt uit	
		ON	Beeldscherm blijft aan	
	Screen Rev	OFF	Display in normale oriëntatie	
		ON	Display in ondersteboven oriëntatie	
	Dimmer Curve	Linear	Stelt de dimcurve in	
		Square		
		I Squa		
		SCurve		
	Dimmer Speed	Smooth	Stelt de dimmersnelheid	
		Fast		
	PWM Option	600Hz	Selecteert de PWM-uitgangsfrequentie	
		1200Hz		
		2000Hz		
		4000Hz		
		6000Hz		
LED R POWER	050–100	Stelt de rode LED-stroom in		
LED G POWER	050–100	Stelt de groene LED-stroom in		
LED B POWER	050–100	Stelt de blauwe LED-stroom in		
LED W POWER	050–100	Stelt de witte LED-stroom in		
White Mode	On		Kalibreert wit tot 7500K	
	Off		Gebruikt maximale uitvoerwaarden	
	Custom	RED	000–255	Stelt de maximum waarde van de rode LED in
		GREEN		Stelt de maximum waarde van de groene LED in
		BLUE		Stelt de maximum waarde van de blauwe LED in
WHITE		Stelt de maximum waarde van de witte LED in		
Color Calibration	On		Gebruikt standaard witte instelling	
	Off		Gebruikt de maximale uitvoerwaarden	
	Custom	RED	100–255	Stelt de maximum waarde van de rode LED in
		GREEN		Stelt de maximum waarde van de groene LED in
		BLUE		Stelt de maximum waarde van de blauwe LED in
USB Update	NO		Schakelt het bijwerken via USB in/uit	
	YES			
Reset Function	Pan/Tilt	NO/YES	Reset individuele functies of alle functies vanaf het opstarten	
	Zoom			
	All			
Factory Settings	YES		Reset naar standaard fabrieksinstellingen	
	NO			

Hoofdniveau	Programmeerniveaus		Beschrijving
Sys Info	Ver	V_._	Toont de firmwareversie
	Running Mode	---	Toont de huidige bedrijfsmodus
	DMX Address	---	Toont het huidige startadres
	Temperature	__ C	Toont de huidige temperatuur in °C
	Fixture Time	----	Toont het aantal uren dat het product is ingeschakeld
	UID	-----	Toont de product-UID
	Head Fan1-6	-----	Toont snelheid van kopventilators in tpm

DMX-waarden
Vooraf ingestelde kleurenkaart

DMX-waarden	Functie	Rode waarde	Groene waarde	Blaue waarde	Witte waarde
005 ⇄ 009	Kleur 1	000	000	000	255
010 ⇄ 014	Kleur 2	255	235	053	000
015 ⇄ 019	Kleur 3	214	134	048	000
020 ⇄ 024	Kleur 4	255	000	044	000
025 ⇄ 029	Kleur 5	255	059	113	000
030 ⇄ 034	Kleur 6	255	138	219	000
035 ⇄ 039	Kleur 7	226	175	226	000
040 ⇄ 044	Kleur 8	040	001	255	000
045 ⇄ 049	Kleur 9	000	000	255	000
050 ⇄ 054	Kleur 10	000	078	255	000
055 ⇄ 059	Kleur 11	000	199	255	000
060 ⇄ 064	Kleur 12	000	255	234	000
065 ⇄ 069	Kleur 13	149	246	255	000
070 ⇄ 074	Kleur 14	137	255	227	000
075 ⇄ 079	Kleur 15	213	220	222	000
080 ⇄ 084	Kleur 16	219	232	175	000
085 ⇄ 089	Kleur 17	205	255	199	000
090 ⇄ 094	Kleur 18	115	255	163	000
095 ⇄ 099	Kleur 19	006	255	143	000
100 ⇄ 104	Kleur 20	000	255	094	000
105 ⇄ 109	Kleur 21	029	255	000	000
110 ⇄ 114	Kleur 22	032	223	000	000
115 ⇄ 119	Kleur 23	075	255	000	000
120 ⇄ 124	Kleur 24	080	232	000	000
125 ⇄ 129	Kleur 25	108	226	000	000
130 ⇄ 134	Kleur 26	145	194	000	000
135 ⇄ 139	Kleur 27	210	255	000	000
140 ⇄ 144	Kleur 28	225	232	000	000
145 ⇄ 149	Kleur 29	023	215	000	000
150 ⇄ 154	Kleur 30	247	214	000	000
155 ⇄ 159	Kleur 31	255	163	000	000
160 ⇄ 164	Kleur 32	255	152	000	000
165 ⇄ 169	Kleur 33	255	108	000	000
170 ⇄ 174	Kleur 34	255	255	255	255

Achtergrond kleurenkaart

DMX-waarden	Functie	Rode waarde	Groene waarde	Blauwe waarde	Witte waarde
001 ⇔ 002	2700K wit	156	118	000	063
003 ⇔ 004	3200K wit	156	141	005	089
005 ⇔ 006	4200K wit	156	141	014	255
007 ⇔ 008	5600K wit	156	207	054	255
009 ⇔ 010	8000K wit	130	255	096	255
011	Blauwe	000	000	255	000
012 ⇔ 048	Groen neemt toe	000	001–254	255	000
049	Cyaan	000	255	255	000
050 ⇔ 086	Blauw neemt af	000	255	254–001	000
87	Groen	000	255	000	000
088 ⇔ 124	Rood neemt toe	001–254	255	000	000
125	Geel	255	255	000	000
126 ⇔ 162	Groen neemt af	255	254–001	000	000
163	Rood	255	000	000	000
164 ⇔ 200	Blauw neemt toe	255	000	001–254	000
201	Magenta	255	000	255	000
202 ⇔ 238	Rood neemt af	254–001	000	255	000
239	Blauw	000	000	255	000

135CH

Kanaal	Functie	Waarde	Percentage/instelling
1	Zwenken	000 ⇔ 255	0–100%
2	Fijne zwenken	000 ⇔ 255	Fijne controle (16-bits)
3	Kantelen	000 ⇔ 255	0–100%
4	Fijne kantelen	000 ⇔ 255	Fijne controle (16-bits)
5	Zwenk-/kantelsnelheid	000 ⇔ 255	Snel tot langzaam
6	CTC	000 001 ⇔ 255	Geen functie Kleurtemperatuur, 19000–2700K
7	Vooraf ingestelde ring kleur	000 ⇔ 004 005 ⇔ 174 175 ⇔ 179 180 ⇔ 201 202 ⇔ 207 208 ⇔ 229 230 ⇔ 234 235 ⇔ 249 250 ⇔ 255	Geen functie Kleur 1–34 (zie Vooraf ingestelde kleurenkaart [geen wit]) Geen functie Kleur verlopen, snel tot langzaam Stopt Omgekeerde kleur verlopen, snel tot langzaam Geen functie Keur sprong, snel tot langzaam Geen functie
8	Vooraf ingestelde middelste kleur	000 ⇔ 004 005 ⇔ 174 175 ⇔ 179 180 ⇔ 201 202 ⇔ 207 208 ⇔ 229 230 ⇔ 234 235 ⇔ 249 250 ⇔ 255	Geen functie Kleur 1–34 (zie Vooraf ingestelde kleurenkaart) Geen functie Kleur verlopen, snel tot langzaam Stopt Omgekeerde kleur verlopen, snel tot langzaam Geen functie Keur sprong, snel tot langzaam Geen functie
9	Patroon	000 001 ⇔ 255	Geen functie Patroon 1–255

Kanaal	Functie	Waarde	Percentage/instelling
10	LED-macro	000 ⇔ 005	Geen functie
		006 ⇔ 010	LED-macro 1
		011 ⇔ 015	LED-macro 2
		016 ⇔ 020	LED-macro 3
		021 ⇔ 025	LED-macro 4
		026 ⇔ 030	LED-macro 5
		031 ⇔ 035	LED-macro 6
		036 ⇔ 040	LED-macro 7
		041 ⇔ 045	LED-macro 8
		046 ⇔ 050	LED-macro 9
		051 ⇔ 055	LED-macro 10
		056 ⇔ 060	LED-macro 11
		061 ⇔ 065	LED-macro 12
		066 ⇔ 070	LED-macro 13
		071 ⇔ 075	LED-macro 14
		076 ⇔ 080	LED-macro 15
		081 ⇔ 085	LED-macro 16
		086 ⇔ 090	LED-macro 17
		091 ⇔ 095	LED-macro 18
		096 ⇔ 100	LED-macro 19
		101 ⇔ 105	LED-macro 20
		106 ⇔ 110	LED-macro 21
		111 ⇔ 115	LED-macro 22
		116 ⇔ 120	LED-macro 23
		121 ⇔ 125	LED-macro 24
		126 ⇔ 130	LED-macro 25
		131 ⇔ 135	LED-macro 26
		136 ⇔ 140	LED-macro 27
		141 ⇔ 145	LED-macro 28
		146 ⇔ 150	LED-macro 29
		151 ⇔ 155	LED-macro 30
		156 ⇔ 160	LED-macro 31
161 ⇔ 165	LED-macro 32		
166 ⇔ 170	LED-macro 33		
171 ⇔ 175	LED-macro 34		
176 ⇔ 180	LED-macro 35		
181 ⇔ 185	LED-macro 36		
186 ⇔ 190	LED-macro 37		
191 ⇔ 195	LED-macro 38		
199 ⇔ 200	LED-macro 39		
201 ⇔ 205	LED-macro 40		
206 ⇔ 210	LED-macro 41		
211 ⇔ 215	LED-macro 42		
216 ⇔ 255	Geen functie		
11	LED-macro snelheid	000 ⇔ 127 128	LED-macro snelheid, snel tot langzaam Stopt
12	LED-macro vertraging	129 ⇔ 255	Omgekeerde LED-macro, langzaam tot snel
13	Achtergrond kleur	000 001 ⇔ 239 240 ⇔ 247 248 ⇔ 255	Geen functie Achtergrond kleuren (zie Achtergrond kleurenkaart) Kleur verlopen, snel tot langzaam Keur sprong, snel tot langzaam
14	Achtergrond dimmer	000 ⇔ 255	0–100%
15	Ag. fijne dimmer	000 ⇔ 255	Fijne controle (16-bits)
16	Master dimmer	000 ⇔ 255	0–100%
17	Master fijne dimmer	000 ⇔ 255	Fijne controle (16-bits)

Kanaal	Functie	Waarde	Percentage/instelling
18	Ring stroboscoop	000 ⇔ 019	Uit
		020 ⇔ 024	Aan
		025 ⇔ 069	Stroboscoop, snel tot langzaam
		070 ⇔ 089	Vervagende stroboscoop 100–0%, snel tot langzaam
		090 ⇔ 109	Vervagende stroboscoop 0–100%, snel tot langzaam
		110 ⇔ 129	Willekeurige stroboscoop, snel tot langzaam
		130 ⇔ 149	Willekeurige vervagende stroboscoop 100–0%, snel tot langzaam
		150 ⇔ 169	Willekeurige vervagende stroboscoop 0–100%, snel tot langzaam
		170 ⇔ 189	Pulsstroboscoop, snel tot langzaam
		190 ⇔ 209	Willekeurige pulsstroboscoop, snel tot langzaam
		210 ⇔ 229	Vervagende stroboscoop 100–0–100%, snel tot langzaam
		230 ⇔ 244	Willekeurige pulsstroboscoop, snel tot langzaam
		245 ⇔ 255	Aan
19	Middelste stroboscoop	000 ⇔ 019	Uit
		020 ⇔ 024	Aan
		025 ⇔ 069	Stroboscoop, snel tot langzaam
		070 ⇔ 089	Vervagende stroboscoop 100–0%, snel tot langzaam
		090 ⇔ 109	Vervagende stroboscoop 0–100%, snel tot langzaam
		110 ⇔ 129	Willekeurige stroboscoop, snel tot langzaam
		130 ⇔ 149	Willekeurige vervagende stroboscoop 100–0%, snel tot langzaam
		150 ⇔ 169	Willekeurige vervagende stroboscoop 0–100%, snel tot langzaam
		170 ⇔ 189	Pulsstroboscoop, snel tot langzaam
		190 ⇔ 209	Willekeurige pulsstroboscoop, snel tot langzaam
		210 ⇔ 229	Vervagende stroboscoop 100–0–100%, snel tot langzaam
		230 ⇔ 244	Willekeurige pulsstroboscoop, snel tot langzaam
		245 ⇔ 255	Aan
20	Zoomen	000 ⇔ 255	Inzoomen tot uitzoomen
21	Control (*Geactiveerd in 5 seconden)	000 ⇔ 009	Geen functie
		010 ⇔ 014	Zwenken/Kantelen-verduistering
		015 ⇔ 029	Gereserveerd voor toekomstig gebruik
		030 ⇔ 034	Synchroniseer ring- en middelste LED's*
		035 ⇔ 039	Desynchroniseer ring- en middelste LED's*
		040 ⇔ 044	Ontdooi ventilator aan
		045 ⇔ 049	Ontdooi ventilator uit
		050 ⇔ 054	Zwenken reset*
		055 ⇔ 059	Kantelen reset*
		060 ⇔ 064	Zoomen reset
		065 ⇔ 069	Gereserveerd voor toekomstig gebruik
		070 ⇔ 074	Reset alle*
		075 ⇔ 119	Gereserveerd voor toekomstig gebruik
		120 ⇔ 124	Ventileer ECO-modus*
		125 ⇔ 129	Ventilator volle snelheid*
		130 ⇔ 134	Ventilator automatische snelheid*
		135 ⇔ 139	Snelle dimmer*
		140 ⇔ 144	Soepele dimmer*
		145 ⇔ 149	Lineaire dimcurve
		150 ⇔ 154	Vierkant dimcurve
		155 ⇔ 159	Omgekeerde vierkante dimcurve
		160 ⇔ 164	S-curve dimcurve
		165 ⇔ 169	WIT modus
		170 ⇔ 174	FULL modus
		175 ⇔ 179	Eenkleurige kalibratie uitgeschakeld
		180 ⇔ 184	Eenkleurige kalibratie ingeschakeld
		185 ⇔ 239	Geen functie
		240 ⇔ 247	Kalibratie ingeschakeld
		248 ⇔ 255	Kalibratie ingeschakeld
		22	Rood

Kanaal	Functie	Waarde	Percentage/instelling
23	Fijne rood	000 ⇔ 255	Fijne controle (16-bits)
24	Groen	000 ⇔ 255	0–100%
25	Fijne groen	000 ⇔ 255	Fijne controle (16-bits)
26	Blauw	000 ⇔ 255	0–100%
27	Fijne blauw	000 ⇔ 255	Fijne controle (16-bits)
28	Wit	000 ⇔ 255	0–100%
29	Fijne wit	000 ⇔ 255	Fijne controle (16-bits)
30	Dimmer 1	000 ⇔ 255	0–100%
31	Fijne dimmer 1	000 ⇔ 255	Fijne controle (16-bits)
32	Rood 1	000 ⇔ 255	0–100%
33	Fijne rood 1	000 ⇔ 255	Fijne controle (16-bits)
34	Groen 1	000 ⇔ 255	0–100%
35	Fijne groen 1	000 ⇔ 255	Fijne controle (16-bits)
36	Blauw 1	000 ⇔ 255	0–100%
37	Fijne blauw 1	000 ⇔ 255	Fijne controle (16-bits)
38	Dimmer 2	000 ⇔ 255	0–100%
39	Fijne dimmer 2	000 ⇔ 255	Fijne controle (16-bits)
40	Rood 2	000 ⇔ 255	0–100%
41	Fijne rood 2	000 ⇔ 255	Fijne controle (16-bits)
42	Groen 2	000 ⇔ 255	0–100%
43	Fijne groen 2	000 ⇔ 255	Fijne controle (16-bits)
44	Blauw 2	000 ⇔ 255	0–100%
45	Fijne blauw 2	000 ⇔ 255	Fijne controle (16-bits)
46	Dimmer 3	000 ⇔ 255	0–100%
47	Fijne dimmer 3	000 ⇔ 255	Fijne controle (16-bits)
48	Rood 3	000 ⇔ 255	0–100%
49	Fijne rood 3	000 ⇔ 255	Fijne controle (16-bits)
50	Groen 3	000 ⇔ 255	0–100%
51	Fijne groen 3	000 ⇔ 255	Fijne controle (16-bits)
52	Blauw 3	000 ⇔ 255	0–100%
53	Fijne blauw 3	000 ⇔ 255	Fijne controle (16-bits)
54	Dimmer 4	000 ⇔ 255	0–100%
55	Fijne dimmer 4	000 ⇔ 255	Fijne controle (16-bits)
56	Rood 4	000 ⇔ 255	0–100%
57	Fijne rood 4	000 ⇔ 255	Fijne controle (16-bits)
58	Groen 4	000 ⇔ 255	0–100%
59	Fijne groen 4	000 ⇔ 255	Fijne controle (16-bits)
60	Blauw 4	000 ⇔ 255	0–100%
61	Fijne blauw 4	000 ⇔ 255	Fijne controle (16-bits)
62	Dimmer 5	000 ⇔ 255	0–100%
63	Fijne dimmer 5	000 ⇔ 255	Fijne controle (16-bits)
64	Rood 5	000 ⇔ 255	0–100%
65	Fijne rood 5	000 ⇔ 255	Fijne controle (16-bits)
66	Groen 5	000 ⇔ 255	0–100%
67	Fijne groen 5	000 ⇔ 255	Fijne controle (16-bits)
68	Blauw 5	000 ⇔ 255	0–100%
69	Fijne blauw 5	000 ⇔ 255	Fijne controle (16-bits)
70	Dimmer 6	000 ⇔ 255	0–100%
71	Fijne dimmer 6	000 ⇔ 255	Fijne controle (16-bits)
72	Rood 6	000 ⇔ 255	0–100%
73	Fijne rood 6	000 ⇔ 255	Fijne controle (16-bits)
74	Groen 6	000 ⇔ 255	0–100%
75	Fijne groen 6	000 ⇔ 255	Fijne controle (16-bits)
76	Blauw 6	000 ⇔ 255	0–100%
77	Fijne blauw 6	000 ⇔ 255	Fijne controle (16-bits)
78	Dimmer 7	000 ⇔ 255	0–100%
79	Fijne dimmer 7	000 ⇔ 255	Fijne controle (16-bits)

Kanaal	Functie	Waarde	Percentage/instelling
80	Rood 7	000 ⇔ 255	0–100%
81	Fijne rood 7	000 ⇔ 255	Fijne controle (16-bits)
82	Groen 7	000 ⇔ 255	0–100%
83	Fijne groen 7	000 ⇔ 255	Fijne controle (16-bits)
84	Blauw 7	000 ⇔ 255	0–100%
85	Fijne blauw 7	000 ⇔ 255	Fijne controle (16-bits)
86	Dimmer 8	000 ⇔ 255	0–100%
87	Fijne dimmer 8	000 ⇔ 255	Fijne controle (16-bits)
88	Rood 8	000 ⇔ 255	0–100%
89	Fijne rood 8	000 ⇔ 255	Fijne controle (16-bits)
90	Groen 8	000 ⇔ 255	0–100%
91	Fijne groen 8	000 ⇔ 255	Fijne controle (16-bits)
92	Blauw 8	000 ⇔ 255	0–100%
93	Fijne blauw 8	000 ⇔ 255	Fijne controle (16-bits)
94	Dimmer 9	000 ⇔ 255	0–100%
95	Fijne dimmer 9	000 ⇔ 255	Fijne controle (16-bits)
96	Rood 9	000 ⇔ 255	0–100%
97	Fijne rood 9	000 ⇔ 255	Fijne controle (16-bits)
98	Groen 9	000 ⇔ 255	0–100%
99	Fijne groen 9	000 ⇔ 255	Fijne controle (16-bits)
100	Blauw 9	000 ⇔ 255	0–100%
101	Fijne blauw 9	000 ⇔ 255	Fijne controle (16-bits)
102	Dimmer 10	000 ⇔ 255	0–100%
103	Fijne dimmer 10	000 ⇔ 255	Fijne controle (16-bits)
104	Rood 10	000 ⇔ 255	0–100%
105	Fijne rood 10	000 ⇔ 255	Fijne controle (16-bits)
106	Groen 10	000 ⇔ 255	0–100%
107	Fijne groen 10	000 ⇔ 255	Fijne controle (16-bits)
108	Blauw 10	000 ⇔ 255	0–100%
109	Fijne blauw 10	000 ⇔ 255	Fijne controle (16-bits)
110	Dimmer 11	000 ⇔ 255	0–100%
111	Fijne dimmer 11	000 ⇔ 255	Fijne controle (16-bits)
112	Rood 11	000 ⇔ 255	0–100%
113	Fijne rood 11	000 ⇔ 255	Fijne controle (16-bits)
114	Groen 11	000 ⇔ 255	0–100%
115	Fijne groen 11	000 ⇔ 255	Fijne controle (16-bits)
116	Blauw 11	000 ⇔ 255	0–100%
117	Fijne blauw 11	000 ⇔ 255	Fijne controle (16-bits)
118	Dimmer 12	000 ⇔ 255	0–100%
119	Fijne dimmer 12	000 ⇔ 255	Fijne controle (16-bits)
120	Rood 12	000 ⇔ 255	0–100%
121	Fijne rood 12	000 ⇔ 255	Fijne controle (16-bits)
122	Groen 12	000 ⇔ 255	0–100%
123	Fijne groen 12	000 ⇔ 255	Fijne controle (16-bits)
124	Blauw 12	000 ⇔ 255	0–100%
125	Fijne blauw 12	000 ⇔ 255	Fijne controle (16-bits)
126	Middelste dimmer	000 ⇔ 255	0–100%
127	Middelste fijne dimmer	000 ⇔ 255	Fijne controle (16-bits)
128	Middelste rood	000 ⇔ 255	0–100%
129	Middelste fijne rood	000 ⇔ 255	Fijne controle (16-bits)
130	Middelste groen	000 ⇔ 255	0–100%
131	Middelste fijne groen	000 ⇔ 255	Fijne controle (16-bits)
132	Middelste blauw	000 ⇔ 255	0–100%
133	Middelste fijne blauw	000 ⇔ 255	Fijne controle (16-bits)
134	Middelste wit	000 ⇔ 255	0–100%
135	Middelste fijne wit	000 ⇔ 255	Fijne controle (16-bits)

111CH

Kanaal	Functie	Waarde	Percentage/instelling
1	Zwenken	000 ⇔ 255	0–100%
2	Fijne zwenken	000 ⇔ 255	Fijne controle (16-bits)
3	Kantelen	000 ⇔ 255	0–100%
4	Fijne kantelen	000 ⇔ 255	Fijne controle (16-bits)
5	Zwenk-/kantelsnelheid	000 ⇔ 255	Snel tot langzaam
6	CTC	000 001 ⇔ 255	Geen functie Kleurtemperatuur, 19000–2700K
7	Vooraf ingestelde ring kleur	000 ⇔ 004 005 ⇔ 174 175 ⇔ 179 180 ⇔ 201 202 ⇔ 207 208 ⇔ 229 230 ⇔ 234 235 ⇔ 249 250 ⇔ 255	Geen functie Kleur 1–34 (zie Vooraf ingestelde kleurenkaart [geen wit]) Geen functie Kleur verlopen, snel tot langzaam Stopt Omgekeerde kleur verlopen, snel tot langzaam Geen functie Keur sprong, snel tot langzaam Geen functie
8	Vooraf ingestelde middelste kleur	000 ⇔ 004 005 ⇔ 174 175 ⇔ 179 180 ⇔ 201 202 ⇔ 207 208 ⇔ 229 230 ⇔ 234 235 ⇔ 249 250 ⇔ 255	Geen functie Kleur 1–34 (zie Vooraf ingestelde kleurenkaart) Geen functie Kleur verlopen, snel tot langzaam Stopt Omgekeerde kleur verlopen, snel tot langzaam Geen functie Keur sprong, snel tot langzaam Geen functie
9	Patroon	000 001 ⇔ 255	Geen functie Patroon 1–255

Kanaal	Functie	Waarde	Percentage/instelling
10	LED-macro	000 ⇔ 005	Geen functie
		006 ⇔ 010	LED-macro 1
		011 ⇔ 015	LED-macro 2
		016 ⇔ 020	LED-macro 3
		021 ⇔ 025	LED-macro 4
		026 ⇔ 030	LED-macro 5
		031 ⇔ 035	LED-macro 6
		036 ⇔ 040	LED-macro 7
		041 ⇔ 045	LED-macro 8
		046 ⇔ 050	LED-macro 9
		051 ⇔ 055	LED-macro 10
		056 ⇔ 060	LED-macro 11
		061 ⇔ 065	LED-macro 12
		066 ⇔ 070	LED-macro 13
		071 ⇔ 075	LED-macro 14
		076 ⇔ 080	LED-macro 15
		081 ⇔ 085	LED-macro 16
		086 ⇔ 090	LED-macro 17
		091 ⇔ 095	LED-macro 18
		096 ⇔ 100	LED-macro 19
		101 ⇔ 105	LED-macro 20
		106 ⇔ 110	LED-macro 21
		111 ⇔ 115	LED-macro 22
		116 ⇔ 120	LED-macro 23
		121 ⇔ 125	LED-macro 24
		126 ⇔ 130	LED-macro 25
		131 ⇔ 135	LED-macro 26
		136 ⇔ 140	LED-macro 27
		141 ⇔ 145	LED-macro 28
		146 ⇔ 150	LED-macro 29
		151 ⇔ 155	LED-macro 30
		156 ⇔ 160	LED-macro 31
		161 ⇔ 165	LED-macro 32
166 ⇔ 170	LED-macro 33		
171 ⇔ 175	LED-macro 34		
176 ⇔ 180	LED-macro 35		
181 ⇔ 185	LED-macro 36		
186 ⇔ 190	LED-macro 37		
191 ⇔ 195	LED-macro 38		
199 ⇔ 200	LED-macro 39		
201 ⇔ 205	LED-macro 40		
206 ⇔ 210	LED-macro 41		
211 ⇔ 215	LED-macro 42		
216 ⇔ 255	Geen functie		
11	LED-macro snelheid	000 ⇔ 127 128 129 ⇔ 255	LED-macro snelheid, snel tot langzaam Stopt Omgekeerde LED-macro, langzaam tot snel
12	LED-macro vertraging	000 ⇔ 255	LED-macro vertraging, snel tot langzaam
13	Achtergrond kleur	000 001 ⇔ 239 240 ⇔ 247 248 ⇔ 255	Geen functie Achtergrond kleuren (zie Achtergrond kleurenkaart) Kleur verlopen, snel tot langzaam Keur sprong, snel tot langzaam
14	Achtergrond dimmer	000 ⇔ 255	0–100%
15	Ag. fijne dimmer	000 ⇔ 255	Fijne controle (16-bits)
16	Ring dimmer	000 ⇔ 255	0–100%
17	Ring fijne dimmer	000 ⇔ 255	Fijne controle (16-bits)
18	Middelste dimmer	000 ⇔ 255	0–100%

Kanaal	Functie	Waarde	Percentage/instelling
19	Middelste fijne dimmer	000 ⇔ 255	Fijne controle (16-bits)
20	Ring stroboscoop	000 ⇔ 019	Uit
		020 ⇔ 024	Aan
		025 ⇔ 069	Stroboscoop, snel tot langzaam
		070 ⇔ 089	Vervagende stroboscoop 100–0%, snel tot langzaam
		090 ⇔ 109	Vervagende stroboscoop 0–100%, snel tot langzaam
		110 ⇔ 129	Willekeurige stroboscoop, snel tot langzaam
		130 ⇔ 149	Willekeurige vervagende stroboscoop 100–0%, snel tot langzaam
		150 ⇔ 169	Willekeurige vervagende stroboscoop 0–100%, snel tot langzaam
		170 ⇔ 189	Pulsstroboscoop, snel tot langzaam
		190 ⇔ 209	Willekeurige pulsstroboscoop, snel tot langzaam
		210 ⇔ 229	Vervagende stroboscoop 100–0–100%, snel tot langzaam
		230 ⇔ 244	Willekeurige pulsstroboscoop, snel tot langzaam
245 ⇔ 255	Aan		
21	Middelste stroboscoop	000 ⇔ 019	Uit
		020 ⇔ 024	Aan
		025 ⇔ 069	Stroboscoop, snel tot langzaam
		070 ⇔ 089	Vervagende stroboscoop 100–0%, snel tot langzaam
		090 ⇔ 109	Vervagende stroboscoop 0–100%, snel tot langzaam
		110 ⇔ 129	Willekeurige stroboscoop, snel tot langzaam
		130 ⇔ 149	Willekeurige vervagende stroboscoop 100–0%, snel tot langzaam
		150 ⇔ 169	Willekeurige vervagende stroboscoop 0–100%, snel tot langzaam
		170 ⇔ 189	Pulsstroboscoop, snel tot langzaam
		190 ⇔ 209	Willekeurige pulsstroboscoop, snel tot langzaam
		210 ⇔ 229	Vervagende stroboscoop 100–0–100%, snel tot langzaam
		230 ⇔ 244	Willekeurige pulsstroboscoop, snel tot langzaam
245 ⇔ 255	Aan		
22	Zoomen	000 ⇔ 255	Inzoomen tot uitzoomen
23	Control (*Geactiveerd in 5 seconden)	000 ⇔ 009	Geen functie
		010 ⇔ 014	Zwenken/Kantelen-verduistering
		015 ⇔ 029	Gereserveerd voor toekomstig gebruik
		030 ⇔ 034	Synchroniseer ring- en middelste LED's*
		035 ⇔ 039	Desynchroniseer ring- en middelste LED's*
		040 ⇔ 044	Ontdooi ventilator aan
		045 ⇔ 049	Ontdooi ventilator uit
		050 ⇔ 054	Zwenken reset*
		055 ⇔ 059	Kantelen reset*
		060 ⇔ 064	Zoomen reset
		065 ⇔ 069	Gereserveerd voor toekomstig gebruik
		070 ⇔ 074	Reset alle*
		075 ⇔ 119	Gereserveerd voor toekomstig gebruik
		120 ⇔ 124	Ventileer ECO-modus*
		125 ⇔ 129	Ventilator volle snelheid*
		130 ⇔ 134	Ventilator automatische snelheid*
		135 ⇔ 139	Snelle dimmer*
		140 ⇔ 144	Soepele dimmer*
		145 ⇔ 149	Lineaire dimcurve
		150 ⇔ 154	Vierkant dimcurve
		155 ⇔ 159	Omgekeerde vierkante dimcurve
		160 ⇔ 164	S-curve dimcurve
		165 ⇔ 169	WIT modus
		170 ⇔ 174	FULL modus
		175 ⇔ 179	Eenkleurige kalibratie uitgeschakeld
		180 ⇔ 184	Eenkleurige kalibratie ingeschakeld
		185 ⇔ 239	Geen functie
		240 ⇔ 247	Kalibratie ingeschakeld
248 ⇔ 255	Kalibratie ingeschakeld		

Kanaal	Functie	Waarde	Percentage/instelling
24	Rood	000 ⇔ 255	0–100%
25	Fijne rood	000 ⇔ 255	Fijne controle (16-bits)
26	Groen	000 ⇔ 255	0–100%
27	Fijne groen	000 ⇔ 255	Fijne controle (16-bits)
28	Blauw	000 ⇔ 255	0–100%
29	Fijne blauw	000 ⇔ 255	Fijne controle (16-bits)
30	Wit	000 ⇔ 255	0–100%
31	Fijne wit	000 ⇔ 255	Fijne controle (16-bits)
32	Rood 1	000 ⇔ 255	0–100%
33	Fijne rood 1	000 ⇔ 255	Fijne controle (16-bits)
34	Groen 1	000 ⇔ 255	0–100%
35	Fijne groen 1	000 ⇔ 255	Fijne controle (16-bits)
36	Blauw 1	000 ⇔ 255	0–100%
37	Fijne blauw 1	000 ⇔ 255	Fijne controle (16-bits)
38	Rood 2	000 ⇔ 255	0–100%
39	Fijne rood 2	000 ⇔ 255	Fijne controle (16-bits)
40	Groen 2	000 ⇔ 255	0–100%
41	Fijne groen 2	000 ⇔ 255	Fijne controle (16-bits)
42	Blauw 2	000 ⇔ 255	0–100%
43	Fijne blauw 2	000 ⇔ 255	Fijne controle (16-bits)
44	Rood 3	000 ⇔ 255	0–100%
45	Fijne rood 3	000 ⇔ 255	Fijne controle (16-bits)
46	Groen 3	000 ⇔ 255	0–100%
47	Fijne groen 3	000 ⇔ 255	Fijne controle (16-bits)
48	Blauw 3	000 ⇔ 255	0–100%
49	Fijne blauw 3	000 ⇔ 255	Fijne controle (16-bits)
50	Rood 4	000 ⇔ 255	0–100%
51	Fijne rood 4	000 ⇔ 255	Fijne controle (16-bits)
52	Groen 4	000 ⇔ 255	0–100%
53	Fijne groen 4	000 ⇔ 255	Fijne controle (16-bits)
54	Blauw 4	000 ⇔ 255	0–100%
55	Fijne blauw 4	000 ⇔ 255	Fijne controle (16-bits)
56	Rood 5	000 ⇔ 255	0–100%
57	Fijne rood 5	000 ⇔ 255	Fijne controle (16-bits)
58	Groen 5	000 ⇔ 255	0–100%
59	Fijne groen 5	000 ⇔ 255	Fijne controle (16-bits)
60	Blauw 5	000 ⇔ 255	0–100%
61	Fijne blauw 5	000 ⇔ 255	Fijne controle (16-bits)
62	Rood 6	000 ⇔ 255	0–100%
63	Fijne rood 6	000 ⇔ 255	Fijne controle (16-bits)
64	Groen 6	000 ⇔ 255	0–100%
65	Fijne groen 6	000 ⇔ 255	Fijne controle (16-bits)
66	Blauw 6	000 ⇔ 255	0–100%
67	Fijne blauw 6	000 ⇔ 255	Fijne controle (16-bits)
68	Rood 7	000 ⇔ 255	0–100%
69	Fijne rood 7	000 ⇔ 255	Fijne controle (16-bits)
70	Groen 7	000 ⇔ 255	0–100%
71	Fijne groen 7	000 ⇔ 255	Fijne controle (16-bits)
72	Blauw 7	000 ⇔ 255	0–100%
73	Fijne blauw 7	000 ⇔ 255	Fijne controle (16-bits)
74	Rood 8	000 ⇔ 255	0–100%
75	Fijne rood 8	000 ⇔ 255	Fijne controle (16-bits)
76	Groen 8	000 ⇔ 255	0–100%
77	Fijne groen 8	000 ⇔ 255	Fijne controle (16-bits)
78	Blauw 8	000 ⇔ 255	0–100%
79	Fijne blauw 8	000 ⇔ 255	Fijne controle (16-bits)
80	Rood 9	000 ⇔ 255	0–100%

Kanaal	Functie	Waarde	Percentage/instelling
81	Fijne rood 9	000 ⇔ 255	Fijne controle (16-bits)
82	Groen 9	000 ⇔ 255	0–100%
83	Fijne groen 9	000 ⇔ 255	Fijne controle (16-bits)
84	Blauw 9	000 ⇔ 255	0–100%
85	Fijne blauw 9	000 ⇔ 255	Fijne controle (16-bits)
86	Rood 10	000 ⇔ 255	0–100%
87	Fijne rood 10	000 ⇔ 255	Fijne controle (16-bits)
88	Groen 10	000 ⇔ 255	0–100%
89	Fijne groen 10	000 ⇔ 255	Fijne controle (16-bits)
90	Blauw 10	000 ⇔ 255	0–100%
91	Fijne blauw 10	000 ⇔ 255	Fijne controle (16-bits)
92	Rood 11	000 ⇔ 255	0–100%
93	Fijne rood 11	000 ⇔ 255	Fijne controle (16-bits)
94	Groen 11	000 ⇔ 255	0–100%
95	Fijne groen 11	000 ⇔ 255	Fijne controle (16-bits)
96	Blauw 11	000 ⇔ 255	0–100%
97	Fijne blauw 11	000 ⇔ 255	Fijne controle (16-bits)
98	Rood 12	000 ⇔ 255	0–100%
99	Fijne rood 12	000 ⇔ 255	Fijne controle (16-bits)
100	Groen 12	000 ⇔ 255	0–100%
101	Fijne groen 12	000 ⇔ 255	Fijne controle (16-bits)
102	Blauw 12	000 ⇔ 255	0–100%
103	Fijne blauw 12	000 ⇔ 255	Fijne controle (16-bits)
104	Middelste rood	000 ⇔ 255	0–100%
105	Middelste fijne rood	000 ⇔ 255	Fijne controle (16-bits)
106	Middelste groen	000 ⇔ 255	0–100%
107	Middelste fijne groen	000 ⇔ 255	Fijne controle (16-bits)
108	Middelste blauw	000 ⇔ 255	0–100%
109	Middelste fijne blauw	000 ⇔ 255	Fijne controle (16-bits)
110	Middelste wit	000 ⇔ 255	0–100%
111	Middelste fijne wit	000 ⇔ 255	Fijne controle (16-bits)

64CH

Kanaal	Functie	Waarde	Percentage/instelling
1	Zwenken	000 ⇔ 255	0–100%
2	Fijne zwenken	000 ⇔ 255	Fijne controle (16-bits)
3	Kantelen	000 ⇔ 255	0–100%
4	Fijne kantelen	000 ⇔ 255	Fijne controle (16-bits)
5	Zwenk-/kantelsnelheid	000 ⇔ 255	Snel tot langzaam
6	CTC	000 001 ⇔ 255	Geen functie Kleurtemperatuur, 19000–2700K
7	Vooraf ingestelde ring kleur	000 ⇔ 004 005 ⇔ 174 175 ⇔ 179 180 ⇔ 201 202 ⇔ 207 208 ⇔ 229 230 ⇔ 234 235 ⇔ 249 250 ⇔ 255	Geen functie Kleur 1–34 (zie Vooraf ingestelde kleurenkaart [geen wit]) Geen functie Kleur verlopen, snel tot langzaam Stopt Omgekeerde kleur verlopen, snel tot langzaam Geen functie Keur sprong, snel tot langzaam Geen functie

Kanaal	Functie	Waarde	Percentage/instelling
8	Vooraf ingestelde middelste kleur	000 ⇔ 004	Geen functie
		005 ⇔ 174	Kleur 1–34 (zie Vooraf ingestelde kleurenkaart)
		175 ⇔ 179	Geen functie
		180 ⇔ 201	Kleur verlopen, snel tot langzaam
		202 ⇔ 207	Stopt
		208 ⇔ 229	Omgekeerde kleur verlopen, snel tot langzaam
		230 ⇔ 234	Geen functie
		235 ⇔ 249	Keur sprong, snel tot langzaam
		250 ⇔ 255	Geen functie
9	Patroon	000	Geen functie
		001 ⇔ 255	Patroon 1–255
10	LED-macro	000 ⇔ 005	Geen functie
		006 ⇔ 010	LED-macro 1
		011 ⇔ 015	LED-macro 2
		016 ⇔ 020	LED-macro 3
		021 ⇔ 025	LED-macro 4
		026 ⇔ 030	LED-macro 5
		031 ⇔ 035	LED-macro 6
		036 ⇔ 040	LED-macro 7
		041 ⇔ 045	LED-macro 8
		046 ⇔ 050	LED-macro 9
		051 ⇔ 055	LED-macro 10
		056 ⇔ 060	LED-macro 11
		061 ⇔ 065	LED-macro 12
		066 ⇔ 070	LED-macro 13
		071 ⇔ 075	LED-macro 14
		076 ⇔ 080	LED-macro 15
		081 ⇔ 085	LED-macro 16
		086 ⇔ 090	LED-macro 17
		091 ⇔ 095	LED-macro 18
		096 ⇔ 100	LED-macro 19
		101 ⇔ 105	LED-macro 20
		106 ⇔ 110	LED-macro 21
		111 ⇔ 115	LED-macro 22
		116 ⇔ 120	LED-macro 23
		121 ⇔ 125	LED-macro 24
		126 ⇔ 130	LED-macro 25
		131 ⇔ 135	LED-macro 26
		136 ⇔ 140	LED-macro 27
		141 ⇔ 145	LED-macro 28
		146 ⇔ 150	LED-macro 29
		151 ⇔ 155	LED-macro 30
		156 ⇔ 160	LED-macro 31
		161 ⇔ 165	LED-macro 32
		166 ⇔ 170	LED-macro 33
		171 ⇔ 175	LED-macro 34
		176 ⇔ 180	LED-macro 35
		181 ⇔ 185	LED-macro 36
		186 ⇔ 190	LED-macro 37
		191 ⇔ 195	LED-macro 38
		199 ⇔ 200	LED-macro 39
		201 ⇔ 205	LED-macro 40
		206 ⇔ 210	LED-macro 41
211 ⇔ 215	LED-macro 42		
216 ⇔ 255	Geen functie		

Kanaal	Functie	Waarde	Percentage/instelling
11	LED-macro snelheid	000 ⇔ 127	LED-macro snelheid, snel tot langzaam
		128	Stopt
		129 ⇔ 255	Omgekeerde LED-macro, langzaam tot snel
12	LED-macro vertraging	000 ⇔ 255	LED-macro vertraging, snel tot langzaam
13	Achtergrond kleur	000	Geen functie
		001 ⇔ 239	Achtergrond kleuren (zie Achtergrond kleurenkaart)
		240 ⇔ 247	Kleur verlopen, snel tot langzaam
		248 ⇔ 255	Keur sprong, snel tot langzaam
14	Achtergrond dimmer	000 ⇔ 255	0–100%
15	Ring dimmer	000 ⇔ 255	0–100%
16	Middelste dimmer	000 ⇔ 255	0–100%
17	Ring stroboscoop	000 ⇔ 019	Uit
		020 ⇔ 024	Aan
		025 ⇔ 069	Stroboscoop, snel tot langzaam
		070 ⇔ 089	Vervagende stroboscoop 100–0%, snel tot langzaam
		090 ⇔ 109	Vervagende stroboscoop 0–100%, snel tot langzaam
		110 ⇔ 129	Willekeurige stroboscoop, snel tot langzaam
		130 ⇔ 149	Willekeurige vervagende stroboscoop 100–0%, snel tot langzaam
		150 ⇔ 169	Willekeurige vervagende stroboscoop 0–100%, snel tot langzaam
		170 ⇔ 189	Pulsstroboscoop, snel tot langzaam
		190 ⇔ 209	Willekeurige pulsstroboscoop, snel tot langzaam
		210 ⇔ 229	Vervagende stroboscoop 100–0–100%, snel tot langzaam
		230 ⇔ 244	Willekeurige pulsstroboscoop, snel tot langzaam
		245 ⇔ 255	Aan
18	Middelste stroboscoop	000 ⇔ 019	Uit
		020 ⇔ 024	Aan
		025 ⇔ 069	Stroboscoop, snel tot langzaam
		070 ⇔ 089	Vervagende stroboscoop 100–0%, snel tot langzaam
		090 ⇔ 109	Vervagende stroboscoop 0–100%, snel tot langzaam
		110 ⇔ 129	Willekeurige stroboscoop, snel tot langzaam
		130 ⇔ 149	Willekeurige vervagende stroboscoop 100–0%, snel tot langzaam
		150 ⇔ 169	Willekeurige vervagende stroboscoop 0–100%, snel tot langzaam
		170 ⇔ 189	Pulsstroboscoop, snel tot langzaam
		190 ⇔ 209	Willekeurige pulsstroboscoop, snel tot langzaam
		210 ⇔ 229	Vervagende stroboscoop 100–0–100%, snel tot langzaam
		230 ⇔ 244	Willekeurige pulsstroboscoop, snel tot langzaam
		245 ⇔ 255	Aan
19	Zoomen	000 ⇔ 255	Inzoomen tot uitzoomen

Kanaal	Functie	Waarde	Percentage/instelling
20	Control (*Geactiveerd in 5 seconden)	000 ⇔ 009	Geen functie
		010 ⇔ 014	Zwenken/Kantelen-verduistering
		015 ⇔ 029	Gereserveerd voor toekomstig gebruik
		030 ⇔ 034	Synchroniseer ring- en middelste LED's*
		035 ⇔ 039	Desynchroniseer ring- en middelste LED's*
		040 ⇔ 044	Ontdooi ventilator aan
		045 ⇔ 049	Ontdooi ventilator uit
		050 ⇔ 054	Zwenken reset*
		055 ⇔ 059	Kantelen reset*
		060 ⇔ 064	Zoomen reset
		065 ⇔ 069	Gereserveerd voor toekomstig gebruik
		050 ⇔ 074	Reset alle*
		075 ⇔ 119	Gereserveerd voor toekomstig gebruik
		120 ⇔ 124	Ventileer ECO-modus*
		125 ⇔ 129	Ventilator volle snelheid*
		130 ⇔ 134	Ventilator automatische snelheid*
		135 ⇔ 139	Snelle dimmer*
		140 ⇔ 144	Soepele dimmer*
		145 ⇔ 149	Lineaire dimcurve
		150 ⇔ 154	Vierkant dimcurve
		155 ⇔ 159	Omgekeerde vierkante dimcurve
		160 ⇔ 164	S-curve dimcurve
		165 ⇔ 169	WIT modus
		170 ⇔ 174	FULL modus
		175 ⇔ 179	Eenkleurige kalibratie uitgeschakeld
		180 ⇔ 184	Eenkleurige kalibratie ingeschakeld
185 ⇔ 239	Geen functie		
240 ⇔ 247	Kalibratie ingeschakeld		
248 ⇔ 255	Kalibratie ingeschakeld		
21	Rood	000 ⇔ 255	0-100%
22	Groen	000 ⇔ 255	0-100%
23	Blauw	000 ⇔ 255	0-100%
24	Wit	000 ⇔ 255	0-100%
25	Rood 1	000 ⇔ 255	0-100%
26	Groen 1	000 ⇔ 255	0-100%
27	Blauw 1	000 ⇔ 255	0-100%
28	Rood 2	000 ⇔ 255	0-100%
29	Groen 2	000 ⇔ 255	0-100%
30	Blauw 2	000 ⇔ 255	0-100%
31	Rood 3	000 ⇔ 255	0-100%
32	Groen 3	000 ⇔ 255	0-100%
33	Blauw 3	000 ⇔ 255	0-100%
34	Rood 4	000 ⇔ 255	0-100%
35	Groen 4	000 ⇔ 255	0-100%
36	Blauw 4	000 ⇔ 255	0-100%
37	Rood 5	000 ⇔ 255	0-100%
38	Groen 5	000 ⇔ 255	0-100%
39	Blauw 5	000 ⇔ 255	0-100%
40	Rood 6	000 ⇔ 255	0-100%
41	Groen 6	000 ⇔ 255	0-100%
42	Blauw 6	000 ⇔ 255	0-100%
43	Rood 7	000 ⇔ 255	0-100%
44	Groen 7	000 ⇔ 255	0-100%
45	Blauw 7	000 ⇔ 255	0-100%
46	Rood 8	000 ⇔ 255	0-100%
47	Groen 8	000 ⇔ 255	0-100%
48	Blauw 8	000 ⇔ 255	0-100%

Kanaal	Functie	Waarde	Percentage/instelling
49	Rood 9	000 ⇔ 255	0–100%
50	Groen 9	000 ⇔ 255	0–100%
51	Blauw 9	000 ⇔ 255	0–100%
52	Rood 10	000 ⇔ 255	0–100%
53	Groen 10	000 ⇔ 255	0–100%
54	Blauw 10	000 ⇔ 255	0–100%
55	Rood 11	000 ⇔ 255	0–100%
56	Groen 11	000 ⇔ 255	0–100%
57	Blauw 11	000 ⇔ 255	0–100%
58	Rood 12	000 ⇔ 255	0–100%
59	Groen 12	000 ⇔ 255	0–100%
60	Blauw 12	000 ⇔ 255	0–100%
61	Middelste rood	000 ⇔ 255	0–100%
62	Middelste groen	000 ⇔ 255	0–100%
63	Middelste blauw	000 ⇔ 255	0–100%
64	Middelste wit	000 ⇔ 255	0–100%

30CH

Kanaal	Functie	Waarde	Percentage/instelling
1	Zwenken	000 ⇔ 255	0–100%
2	Fijne zwenken	000 ⇔ 255	Fijne controle (16-bits)
3	Kantelen	000 ⇔ 255	0–100%
4	Fijne kantelen	000 ⇔ 255	Fijne controle (16-bits)
5	Zwenk-/kantelsnelheid	000 ⇔ 255	Snel tot langzaam
6	CTC	000 001 ⇔ 255	Geen functie Kleurtemperatuur, 19000–2700K
7	Vooraf ingestelde ring kleur	000 ⇔ 004 005 ⇔ 174 175 ⇔ 179 180 ⇔ 201 202 ⇔ 207 208 ⇔ 229 230 ⇔ 234 235 ⇔ 249 250 ⇔ 255	Geen functie Kleur 1–34 (zie Vooraf ingestelde kleurenkaart [geen wit]) Geen functie Kleur verlopen, snel tot langzaam Stopt Omgekeerde kleur verlopen, snel tot langzaam Geen functie Keur sprong, snel tot langzaam Geen functie
8	Vooraf ingestelde middelste kleur	000 ⇔ 004 005 ⇔ 174 175 ⇔ 179 180 ⇔ 201 202 ⇔ 207 208 ⇔ 229 230 ⇔ 234 235 ⇔ 249 250 ⇔ 255	Geen functie Kleur 1–34 (zie Vooraf ingestelde kleurenkaart) Geen functie Kleur verlopen, snel tot langzaam Stopt Omgekeerde kleur verlopen, snel tot langzaam Geen functie Keur sprong, snel tot langzaam Geen functie
9	Patroon	000 001 ⇔ 255	Geen functie Patroon 1–255

Kanaal	Functie	Waarde	Percentage/instelling
10	LED-macro	000 ⇔ 005	Geen functie
		006 ⇔ 010	LED-macro 1
		011 ⇔ 015	LED-macro 2
		016 ⇔ 020	LED-macro 3
		021 ⇔ 025	LED-macro 4
		026 ⇔ 030	LED-macro 5
		031 ⇔ 035	LED-macro 6
		036 ⇔ 040	LED-macro 7
		041 ⇔ 045	LED-macro 8
		046 ⇔ 050	LED-macro 9
		051 ⇔ 055	LED-macro 10
		056 ⇔ 060	LED-macro 11
		061 ⇔ 065	LED-macro 12
		066 ⇔ 070	LED-macro 13
		071 ⇔ 075	LED-macro 14
		076 ⇔ 080	LED-macro 15
		081 ⇔ 085	LED-macro 16
		086 ⇔ 090	LED-macro 17
		091 ⇔ 095	LED-macro 18
		096 ⇔ 100	LED-macro 19
		101 ⇔ 105	LED-macro 20
		106 ⇔ 110	LED-macro 21
		111 ⇔ 115	LED-macro 22
		116 ⇔ 120	LED-macro 23
		121 ⇔ 125	LED-macro 24
		126 ⇔ 130	LED-macro 25
		131 ⇔ 135	LED-macro 26
		136 ⇔ 140	LED-macro 27
		141 ⇔ 145	LED-macro 28
		146 ⇔ 150	LED-macro 29
		151 ⇔ 155	LED-macro 30
		156 ⇔ 160	LED-macro 31
		161 ⇔ 165	LED-macro 32
		166 ⇔ 170	LED-macro 33
		171 ⇔ 175	LED-macro 34
		176 ⇔ 180	LED-macro 35
		181 ⇔ 185	LED-macro 36
		186 ⇔ 190	LED-macro 37
		191 ⇔ 195	LED-macro 38
		199 ⇔ 200	LED-macro 39
		201 ⇔ 205	LED-macro 40
		206 ⇔ 210	LED-macro 41
211 ⇔ 215	LED-macro 42		
216 ⇔ 255	Geen functie		
11	LED-macro snelheid	000 ⇔ 127 128 129 ⇔ 255	LED-macro snelheid, snel tot langzaam Stopt Omgekeerde LED-macro, langzaam tot snel
12	LED-macro vertraging	000 ⇔ 255	LED-macro vertraging, snel tot langzaam
13	Achtergrond kleur	000 001 ⇔ 239 240 ⇔ 247 248 ⇔ 255	Geen functie Achtergrond kleuren (zie Achtergrond kleurenkaart) Kleur verlopen, snel tot langzaam Keur sprong, snel tot langzaam
14	Achtergrond dimmer	000 ⇔ 255	0–100%
15	Ring dimmer	000 ⇔ 255	0–100%
16	Ring fijne dimmer	000 ⇔ 255	Fijne controle (16-bits)
17	Middelste dimmer	000 ⇔ 255	0–100%
18	Middelste fijne dimmer	000 ⇔ 255	Fijne controle (16-bits)

Kanaal	Functie	Waarde	Percentage/instelling
19	Ring stroboscoop	000 ⇔ 019	Uit
		020 ⇔ 024	Aan
		025 ⇔ 069	Stroboscoop, snel tot langzaam
		070 ⇔ 089	Vervagende stroboscoop 100–0%, snel tot langzaam
		090 ⇔ 109	Vervagende stroboscoop 0–100%, snel tot langzaam
		110 ⇔ 129	Willekeurige stroboscoop, snel tot langzaam
		130 ⇔ 149	Willekeurige vervagende stroboscoop 100–0%, snel tot langzaam
		150 ⇔ 169	Willekeurige vervagende stroboscoop 0–100%, snel tot langzaam
		170 ⇔ 189	Pulsstroboscoop, snel tot langzaam
		190 ⇔ 209	Willekeurige pulsstroboscoop, snel tot langzaam
		210 ⇔ 229	Vervagende stroboscoop 100–0–100%, snel tot langzaam
		230 ⇔ 244	Willekeurige pulsstroboscoop, snel tot langzaam
		245 ⇔ 255	Aan
20	Middelste stroboscoop	000 ⇔ 019	Uit
		020 ⇔ 024	Aan
		025 ⇔ 069	Stroboscoop, snel tot langzaam
		070 ⇔ 089	Vervagende stroboscoop 100–0%, snel tot langzaam
		090 ⇔ 109	Vervagende stroboscoop 0–100%, snel tot langzaam
		110 ⇔ 129	Willekeurige stroboscoop, snel tot langzaam
		130 ⇔ 149	Willekeurige vervagende stroboscoop 100–0%, snel tot langzaam
		150 ⇔ 169	Willekeurige vervagende stroboscoop 0–100%, snel tot langzaam
		170 ⇔ 189	Pulsstroboscoop, snel tot langzaam
		190 ⇔ 209	Willekeurige pulsstroboscoop, snel tot langzaam
210 ⇔ 229	Vervagende stroboscoop 100–0–100%, snel tot langzaam		
230 ⇔ 244	Willekeurige pulsstroboscoop, snel tot langzaam		
245 ⇔ 255	Aan		
21	Zoomen	000 ⇔ 255	Inzoomen tot uitzoomen
22	Control (*Geactiveerd in 5 seconden)	000 ⇔ 009	Geen functie
		010 ⇔ 014	Zwenken/Kantelen-verduistering
		015 ⇔ 029	Gereserveerd voor toekomstig gebruik
		030 ⇔ 034	Synchroniseer ring- en middelste LED's*
		035 ⇔ 039	Desynchroniseer ring- en middelste LED's*
		040 ⇔ 044	Ontdooi ventilator aan
		045 ⇔ 049	Ontdooi ventilator uit
		050 ⇔ 054	Zwenken reset*
		055 ⇔ 059	Kantelen reset*
		060 ⇔ 064	Zoomen reset
		065 ⇔ 069	Gereserveerd voor toekomstig gebruik
		050 ⇔ 074	Reset alle*
		075 ⇔ 119	Gereserveerd voor toekomstig gebruik
		120 ⇔ 124	Ventileer ECO-modus*
		125 ⇔ 129	Ventilator volle snelheid*
		130 ⇔ 134	Ventilator automatische snelheid*
		135 ⇔ 139	Snelle dimmer*
		140 ⇔ 144	Soepele dimmer*
		145 ⇔ 149	Lineaire dimcurve
		150 ⇔ 154	Vierkant dimcurve
		155 ⇔ 159	Omgekeerde vierkante dimcurve
		160 ⇔ 164	S-curve dimcurve
		165 ⇔ 169	WIT modus
		170 ⇔ 174	FULL modus
		175 ⇔ 179	Eenkleurige kalibratie uitgeschakeld
180 ⇔ 184	Eenkleurige kalibratie ingeschakeld		
185 ⇔ 239	Geen functie		
240 ⇔ 247	Kalibratie ingeschakeld		
248 ⇔ 255	Kalibratie ingeschakeld		
23	Rood	000 ⇔ 255	0–100%

Kanaal	Functie	Waarde	Percentage/instelling
24	Fijne rood	000 ⇔ 255	Fijne controle (16-bits)
25	Groen	000 ⇔ 255	0–100%
26	Fijne groen	000 ⇔ 255	Fijne controle (16-bits)
27	Blauw	000 ⇔ 255	0–100%
28	Fijne blauw	000 ⇔ 255	Fijne controle (16-bits)
29	Wit	000 ⇔ 255	0–100%
30	Fijne wit	000 ⇔ 255	Fijne controle (16-bits)

24CH

Kanaal	Functie	Waarde	Percentage/instelling
1	Zwenken	000 ⇔ 255	0–100%
2	Fijne zwenken	000 ⇔ 255	Fijne controle (16-bits)
3	Kantelen	000 ⇔ 255	0–100%
4	Fijne kantelen	000 ⇔ 255	Fijne controle (16-bits)
5	Zwenk-/kantelsnelheid	000 ⇔ 255	Snel tot langzaam
6	CTC	000 001 ⇔ 255	Geen functie Kleurtemperatuur, 19000–2700K
7	Vooraf ingestelde ring kleur	000 ⇔ 004 005 ⇔ 174 175 ⇔ 179 180 ⇔ 201 202 ⇔ 207 208 ⇔ 229 230 ⇔ 234 235 ⇔ 249 250 ⇔ 255	Geen functie Kleur 1–34 (zie Vooraf ingestelde kleurenkaart [geen wit]) Geen functie Kleur verlopen, snel tot langzaam Stopt Omgekeerde kleur verlopen, snel tot langzaam Geen functie Keur sprong, snel tot langzaam Geen functie
8	Vooraf ingestelde middelste kleur	000 ⇔ 004 005 ⇔ 174 175 ⇔ 179 180 ⇔ 201 202 ⇔ 207 208 ⇔ 229 230 ⇔ 234 235 ⇔ 249 250 ⇔ 255	Geen functie Kleur 1–34 (zie Vooraf ingestelde kleurenkaart) Geen functie Kleur verlopen, snel tot langzaam Stopt Omgekeerde kleur verlopen, snel tot langzaam Geen functie Keur sprong, snel tot langzaam Geen functie
9	Patroon	000 001 ⇔ 255	Geen functie Patroon 1–255

Kanaal	Functie	Waarde	Percentage/instelling
10	LED-macro	000 ⇔ 005	Geen functie
		006 ⇔ 010	LED-macro 1
		011 ⇔ 015	LED-macro 2
		016 ⇔ 020	LED-macro 3
		021 ⇔ 025	LED-macro 4
		026 ⇔ 030	LED-macro 5
		031 ⇔ 035	LED-macro 6
		036 ⇔ 040	LED-macro 7
		041 ⇔ 045	LED-macro 8
		046 ⇔ 050	LED-macro 9
		051 ⇔ 055	LED-macro 10
		056 ⇔ 060	LED-macro 11
		061 ⇔ 065	LED-macro 12
		066 ⇔ 070	LED-macro 13
		071 ⇔ 075	LED-macro 14
		076 ⇔ 080	LED-macro 15
		081 ⇔ 085	LED-macro 16
		086 ⇔ 090	LED-macro 17
		091 ⇔ 095	LED-macro 18
		096 ⇔ 100	LED-macro 19
		101 ⇔ 105	LED-macro 20
		106 ⇔ 110	LED-macro 21
		111 ⇔ 115	LED-macro 22
		116 ⇔ 120	LED-macro 23
		121 ⇔ 125	LED-macro 24
		126 ⇔ 130	LED-macro 25
		131 ⇔ 135	LED-macro 26
		136 ⇔ 140	LED-macro 27
		141 ⇔ 145	LED-macro 28
		146 ⇔ 150	LED-macro 29
151 ⇔ 155	LED-macro 30		
156 ⇔ 160	LED-macro 31		
161 ⇔ 165	LED-macro 32		
166 ⇔ 170	LED-macro 33		
171 ⇔ 175	LED-macro 34		
176 ⇔ 180	LED-macro 35		
181 ⇔ 185	LED-macro 36		
186 ⇔ 190	LED-macro 37		
191 ⇔ 195	LED-macro 38		
199 ⇔ 200	LED-macro 39		
201 ⇔ 205	LED-macro 40		
206 ⇔ 210	LED-macro 41		
211 ⇔ 215	LED-macro 42		
216 ⇔ 255	Geen functie		
11	LED-macro snelheid	000 ⇔ 127	LED-macro snelheid, snel tot langzaam
		128	Stopt
12	LED-macro vertraging	129 ⇔ 255	Omgekeerde LED-macro, langzaam tot snel
		000 ⇔ 255	LED-macro vertraging, snel tot langzaam
13	Achtergrond kleur	000	Geen functie
		001 ⇔ 239	Achtergrond kleuren (zie Achtergrond kleurenkaart)
		240 ⇔ 247	Kleur verlopen, snel tot langzaam
		248 ⇔ 255	Keur sprong, snel tot langzaam
14	Achtergrond dimmer	000 ⇔ 255	0–100%
15	Ring dimmer	000 ⇔ 255	0–100%
16	Middelste dimmer	000 ⇔ 255	0–100%

Kanaal	Functie	Waarde	Percentage/instelling
17	Ring stroboscoop	000 ⇔ 019	Uit
		020 ⇔ 024	Aan
		025 ⇔ 069	Stroboscoop, snel tot langzaam
		070 ⇔ 089	Vervagende stroboscoop 100–0%, snel tot langzaam
		090 ⇔ 109	Vervagende stroboscoop 0–100%, snel tot langzaam
		110 ⇔ 129	Willekeurige stroboscoop, snel tot langzaam
		130 ⇔ 149	Willekeurige vervagende stroboscoop 100–0%, snel tot langzaam
		150 ⇔ 169	Willekeurige vervagende stroboscoop 0–100%, snel tot langzaam
		170 ⇔ 189	Pulsstroboscoop, snel tot langzaam
		190 ⇔ 209	Willekeurige pulsstroboscoop, snel tot langzaam
		210 ⇔ 229	Vervagende stroboscoop 100–0–100%, snel tot langzaam
		230 ⇔ 244	Willekeurige pulsstroboscoop, snel tot langzaam
		245 ⇔ 255	Aan
		18	Middelste stroboscoop
020 ⇔ 024	Aan		
025 ⇔ 069	Stroboscoop, snel tot langzaam		
070 ⇔ 089	Vervagende stroboscoop 100–0%, snel tot langzaam		
090 ⇔ 109	Vervagende stroboscoop 0–100%, snel tot langzaam		
110 ⇔ 129	Willekeurige stroboscoop, snel tot langzaam		
130 ⇔ 149	Willekeurige vervagende stroboscoop 100–0%, snel tot langzaam		
150 ⇔ 169	Willekeurige vervagende stroboscoop 0–100%, snel tot langzaam		
170 ⇔ 189	Pulsstroboscoop, snel tot langzaam		
190 ⇔ 209	Willekeurige pulsstroboscoop, snel tot langzaam		
210 ⇔ 229	Vervagende stroboscoop 100–0–100%, snel tot langzaam		
230 ⇔ 244	Willekeurige pulsstroboscoop, snel tot langzaam		
245 ⇔ 255	Aan		
19	Zoomen		
20	Control (*Geactiveerd in 5 seconden)	000 ⇔ 009	Geen functie
		010 ⇔ 014	Zwenken/Kantelen-verduistering
		015 ⇔ 029	Gereserveerd voor toekomstig gebruik
		030 ⇔ 034	Synchroniseer ring- en middelste LED's*
		035 ⇔ 039	Desynchroniseer ring- en middelste LED's*
		040 ⇔ 044	Ontdooi ventilator aan
		045 ⇔ 049	Ontdooi ventilator uit
		050 ⇔ 054	Zwenken reset*
		055 ⇔ 059	Kantelen reset*
		060 ⇔ 064	Zoomen reset
		065 ⇔ 069	Gereserveerd voor toekomstig gebruik
		070 ⇔ 074	Reset alle*
		075 ⇔ 119	Gereserveerd voor toekomstig gebruik
		120 ⇔ 124	Ventileer ECO-modus*
		125 ⇔ 129	Ventilator volle snelheid*
		130 ⇔ 134	Ventilator automatische snelheid*
		135 ⇔ 139	Snelle dimmer*
		140 ⇔ 144	Soepele dimmer*
		145 ⇔ 149	Lineaire dimcurve
		150 ⇔ 154	Vierkant dimcurve
		155 ⇔ 159	Omgekeerde vierkante dimcurve
		160 ⇔ 164	S-curve dimcurve
		165 ⇔ 169	WIT modus
		170 ⇔ 174	FULL modus
		175 ⇔ 179	Eenkleurige kalibratie uitgeschakeld
		180 ⇔ 184	Eenkleurige kalibratie ingeschakeld
		185 ⇔ 239	Geen functie
		240 ⇔ 247	Kalibratie ingeschakeld
248 ⇔ 255	Kalibratie ingeschakeld		
21	Rood	000 ⇔ 255	0–100%
22	Groen	000 ⇔ 255	0–100%
23	Blauw	000 ⇔ 255	0–100%
24	Wit	000 ⇔ 255	0–100%

15CH

Kanaal	Functie	Waarde	Percentage/instelling
1	Zwenken	000 ⇄ 255	0–100%
2	Fijne zwenken	000 ⇄ 255	Fijne controle (16-bits)
3	Kantelen	000 ⇄ 255	0–100%
4	Fijne kantelen	000 ⇄ 255	Fijne controle (16-bits)
5	Zwenk-/kantelsnelheid	000 ⇄ 255	Snel tot langzaam
6	Dimmer	000 ⇄ 255	0–100%
7	Fijne dimmer	000 ⇄ 255	Fijne controle (16-bits)
8	Stroboscoop	000 ⇄ 019	Uit
		020 ⇄ 024	Aan
		025 ⇄ 069	Stroboscoop, snel tot langzaam
		070 ⇄ 089	Vervagende stroboscoop 100–0%, snel tot langzaam
		090 ⇄ 109	Vervagende stroboscoop 0–100%, snel tot langzaam
		110 ⇄ 129	Willekeurige stroboscoop, snel tot langzaam
		130 ⇄ 149	Willekeurige vervagende stroboscoop 100–0%, snel tot langzaam
		150 ⇄ 169	Willekeurige vervagende stroboscoop 0–100%, snel tot langzaam
		170 ⇄ 189	Pulsstroboscoop, snel tot langzaam
		190 ⇄ 209	Willekeurige pulsstroboscoop, snel tot langzaam
		210 ⇄ 229	Vervagende stroboscoop 100–0–100%, snel tot langzaam
230 ⇄ 244	Willekeurige pulsstroboscoop, snel tot langzaam		
245 ⇄ 255	Aan		
9	Rood	000 ⇄ 255	0–100%
10	Groen	000 ⇄ 255	0–100%
11	Blauw	000 ⇄ 255	0–100%
12	Wit	000 ⇄ 255	0–100%
13	Vooraf ingestelde kleur	000 ⇄ 004	Geen functie
		005 ⇄ 174	Kleur 1–34 (zie Vooraf ingestelde kleurenkaart [geen wit])
		175 ⇄ 179	Geen functie
		180 ⇄ 201	Kleur verlopen, snel tot langzaam
		202 ⇄ 207	Stopt
		208 ⇄ 229	Omgekeerde kleur verlopen, snel tot langzaam
		230 ⇄ 234	Geen functie
		235 ⇄ 249	Keur sprong, snel tot langzaam
250 ⇄ 255	Geen functie		
14	Zoomen	000 ⇄ 255	Inzoomen tot uitzoomen
15	Control (*Geactiveerd in 5 seconden)	000 ⇄ 009	Geen functie
		010 ⇄ 014	Zwenken/Kantelen-verduistering
		015 ⇄ 029	Gereserveerd voor toekomstig gebruik
		030 ⇄ 034	Synchroniseer ring- en middelste LED's*
		035 ⇄ 039	Desynchroniseer ring- en middelste LED's*
		040 ⇄ 044	Ontdooi ventilator aan
		045 ⇄ 049	Ontdooi ventilator uit
		050 ⇄ 054	Zwenken reset*
		055 ⇄ 059	Kantelen reset*
		060 ⇄ 064	Zoomen reset
		065 ⇄ 069	Gereserveerd voor toekomstig gebruik
		050 ⇄ 074	Reset alle*
		075 ⇄ 119	Gereserveerd voor toekomstig gebruik
		120 ⇄ 124	Ventileer ECO-modus*
		125 ⇄ 129	Ventilator volle snelheid*
		130 ⇄ 134	Ventilator automatische snelheid*
		135 ⇄ 139	Snelle dimmer*
		140 ⇄ 144	Soepele dimmer*
		145 ⇄ 149	Lineaire dimcurve
		150 ⇄ 154	Vierkant dimcurve
		155 ⇄ 159	Omgekeerde vierkante dimcurve
		160 ⇄ 164	S-curve dimcurve
		165 ⇄ 169	WIT modus
170 ⇄ 174	FULL modus		
175 ⇄ 179	Eenkleurige kalibratie uitgeschakeld		
180 ⇄ 184	Eenkleurige kalibratie ingeschakeld		
185 ⇄ 239	Geen functie		
240 ⇄ 247	Kalibratie ingeschakeld		
248 ⇄ 255	Kalibratie ingeschakeld		

Contact Us

General Information	Technical Support
Chauvet World Headquarters	
Address: 5200 NW 108th Ave. Sunrise, FL 33351 Voice: (954) 577-4455 Fax: (954) 929-5560 Toll Free: (800) 762-1084	Voice: (844) 393-7575 Fax: (954) 756-8015 Email: chauvetcs@chauvetlighting.com Website: www.chauvetprofessional.com
Chauvet Europe Ltd.	
Address: Unit 1C Brookhill Road Industrial Estate Pinxton, Nottingham, UK NG16 6NT Voice: +44 (0) 1773 511115 Fax: +44 (0) 1773 511110	Email: UKtech@chauvetlighting.eu Website: www.chauvetprofessional.eu
Chauvet Europe BVBA	
Address: Stokstraat 18 9770 Kruishoutem Belgium Voice: +32 9 388 93 97	Email: BNLtech@chauvetlighting.eu Website: www.chauvetprofessional.eu
Chauvet France	
Address: 3, Rue Ampère 91380 Chilly-Mazarin France Voice: +33 1 78 85 33 59	Email: FRtech@chauvetlighting.fr Website: www.chauvetprofessional.eu
Chauvet Germany	
Address: Bruno-Bürgel-Str. 11 28759 Bremen Germany Voice: +49 421 62 60 20	Email: DEtech@chauvetlighting.de Website: www.chauvetprofessional.eu
Chauvet Mexico	
Address: Av. de las Partidas 34 - 3B (Entrance by Calle 2) Zona Industrial Lerma Lerma, Edo. de México, CP 52000 Voice: +52 (728) 690-2010	Email: servicio@chauvet.com.mx Website: www.chauvetprofessional.mx

Visit the applicable website above to verify our contact information and instructions to request support. Outside the U.S., U.K., Ireland, Mexico, France, Germany, or Benelux, contact the dealer of record.



RoHS

