

USER MANUAL

WELL STX 360

WIRELESS EVENT LED LUMINAIRE



Edition Notes

The WELL STX 360 User Manual includes a description, safety precautions, installation, programming, operation and maintenance instructions for the WELL STX 360 as of the release date of this edition.

Trademarks

CHAUVET, the Chauvet logo and WELL STX 360 are registered trademarks or trademarks of Chauvet & Sons, LLC (d/b/a Chauvet and Chauvet Lighting) in the United States and other countries. Other company and product names and logos referred to herein may be trademarks of their respective companies.

Copyright Notice

The works of authorship contained in this manual, including, but not limited to, all design, text and images are owned by Chauvet.

© Copyright 2022 Chauvet & Sons, LLC. All rights reserved.

Electronically published by Chauvet in the United States of America.

Manual Use

Chauvet authorizes its customers to download and print this manual for professional information purposes only. Chauvet expressly prohibits the usage, copy, storage, distribution, modification, or printing of this manual or its content for any other purpose without written consent from Chauvet.

Document Printing

For best results, print this document in color, on letter size paper (8.5 x 11 in), double-sided. If using A4 paper (210 x 297 mm), configure the printer to scale the content accordingly.

Intended Audience

Any person installing, operating, and/or maintaining this product should completely read through the guide that shipped with the product, as well as this manual, before installing, operating, or maintaining this product.

Disclaimer

Chauvet believes that the information contained in this manual is accurate in all respects. However, Chauvet assumes no responsibility and specifically disclaims any and all liability to any party for any loss, damage or disruption caused by any errors or omissions in this document, whether such errors or omissions result from negligence, accident or any other cause. Chauvet reserves the right to revise the content of this document without any obligation to notify any person or company of such revision, however, Chauvet has no obligation to make, and does not commit to make, any such revisions. Download the latest version from www.chauvetprofessional.com.

Document Revision

This WELL STX 360 User Manual is the 1st edition of this document. Go to www.chauvetprofessional.com for the latest version.

TABLE OF CONTENTS

- 1. Before You Begin** 1
 - What Is Included 1
 - Claims 1
 - Manual Conventions 1
 - Symbols 1
 - Expected LED Lifespan..... 1
 - Safety Notes..... 2
 - Personal Safety..... 2
 - Mounting and Rigging 2
 - Power and Wiring..... 2
 - Operation 2
 - FCC Compliance..... 2
 - RF Exposure Warning for North America and Australia..... 2
- 2. Introduction** 3
 - Features 3
 - Product Overview..... 3
 - Product Dimensions 4
- 3. Setup**..... 5
 - AC Power 5
 - AC Plug 5
 - Power Linking..... 5
 - Battery Charge Notes..... 5
 - Storage Notes 5
 - DMX Linking..... 5
 - DMX Personalities..... 5
 - Wireless Operation..... 6
 - Master/Slave Connectivity..... 6
 - Mounting 7
 - Orientation..... 7
 - Rigging..... 7
- 4. Operation** 8
 - Control Panel Operation..... 8
 - Control Options 8
 - Programming..... 8
 - Control Panel Lock..... 8
 - DMX Configuration..... 8
 - DMX Personalities..... 8
 - Starting Address..... 8
 - Menu Map 9
 - DMX Values 12
 - Standalone Configuration..... 17
 - Static Mode 17
 - Auto Programs 17
 - Auto Program Speed..... 17
 - White Balance 17
 - Run Time..... 17
 - Back Light 17

Dimmer Profiles.....	18
System Information	18
Factory Reset.....	18
Master/Slave Mode	18
Infrared Remote Control.....	19
IR Remote Operation	19
5. Technical Information	20
Product Maintenance	20
6. Technical Specifications	21
Returns	22
Contact Us	23

Before You Begin

1. Before You Begin

What Is Included

- (4) WELL STX 360
- TRUE1-style power cord with Edison plug (EU bare end)
- Charging flight case
- (4) stands
- (4) hanging eye bolts
- Quick Reference Guide

Claims

Carefully unpack the product immediately and check the container to make sure all the parts are in the package and are in good condition.





If the box or the contents (the product and included accessories) appear damaged from shipping, or show signs of mishandling, notify the carrier immediately, not Chauvet. Failure to report damage to the carrier immediately may invalidate your claim. In addition, keep the box and contents for inspection.

For other issues, such as missing components or parts, damage not related to shipping, or concealed damage, file a claim with Chauvet within 7 days of delivery.

Manual Conventions

Convention	Meaning
1–512	A range of values
50/60	A set of values of which only one can be chosen
<SET>	A button on the product's control panel
Settings	A product function or a menu option

Symbols

Symbol	Meaning
	Electrical warning. Not following these instructions may cause electrical damage to the product, accessories, or the user.
	Critical installation, configuration, or operation information. Not following these instructions may make the product not work, cause damage to the product, or cause harm to the operator.
	Important installation or configuration information. The product may not function correctly if this information is not used.
	Useful information.



Any reference to data or power connections in this manual assumes the use of Seetronic IP-rated cables.



The term “DMX” used throughout this manual refers to the USITT DMX512-A digital data transmission protocol.

Expected LED Lifespan

Over time, use and heat will gradually reduce LED brightness. Clustered LEDs produce more heat than single LEDs, contributing to shorter lifespans if always used at full intensity. The average LED lifespan is 40,000 to 50,000 hours. To extend LED lifespan, maintain proper ventilation around the product, and limit the overall intensity.

Safety Notes

Read all the following safety notes before working with this product. These notes contain important information about the installation, usage, and maintenance of this product.



This product contains no user-serviceable parts. Any reference to servicing in this User Manual will only apply to properly trained, certified technicians. Do not open the housing or attempt any repairs.



All applicable local codes and regulations apply to proper installation of this product.

Personal Safety

- Always disconnect the product from the power source before cleaning or replacing the fuse.
- Always connect the product to a grounded circuit to avoid the risk of electrocution.
- Do not touch the product's housing when operating because it may be very hot.

Mounting and Rigging

- Do not submerge this product (IP65). Temporary outdoor operation is fine.
- CAUTION: When transferring product from extreme temperature environments, (e.g., cold truck to warm, humid ballroom) condensation may form on the internal electronics of the product. To avoid causing a failure, allow product to fully acclimate to the surrounding environment before connecting it to power.
- Not for permanent outdoor installation in locations with extreme environmental conditions. This includes, but is not limited to:
 - Exposure to a marine/saline environment (within 3 miles of a saltwater body of water).
 - Locations where the normal high or low temperatures exceed the temperature ranges in this manual.
 - Locations that are prone to flooding or being buried in snow.
 - Areas where the product will be subjected to extreme radiation or caustic substances.
- Mount this product in a location with adequate ventilation, at least 20 in (50 cm) from adjacent surfaces.
- Make sure there are no flammable materials close to the product when operating.
- When hanging this product, always secure to a fastening device using a safety cable.

Power and Wiring

- Always make sure you are connecting the product to the proper voltage in accordance with the specifications in this manual or on the product's specification label.
- Never connect the product to a dimmer pack or rheostat.
- Never disconnect this product by pulling or tugging on the power cable.

Operation

- Do not operate this product if there is damage on the housing, lenses, or cables. Have the damaged parts replaced by an authorized technician at once.
- Do not cover the ventilation slots when operating to avoid internal overheating.
- The maximum ambient temperature is 113 °F (45 °C). Do not operate the product at higher temperatures.
- The minimum startup temperature is -4°F (-20°C). Do not start the product at lower temperatures.
- The minimum ambient temperature is -22°F (-30°C). Do not operate the product at lower temperatures.
- In the event of a serious operation problem, stop using this product immediately!



If your Chauvet product requires service, contact Chauvet Technical Support.

FCC Compliance

This device complies with Part 15 Part B of the FCC Rules. Operation is subject to the following two conditions:

1. This device may not cause harmful interference, and
2. This device must accept any interference received, including interference that may cause undesired operation.

Any changes or modifications not expressly approved by the party responsible for compliance could void the user's authority to operate the equipment.

RF Exposure Warning for North America and Australia

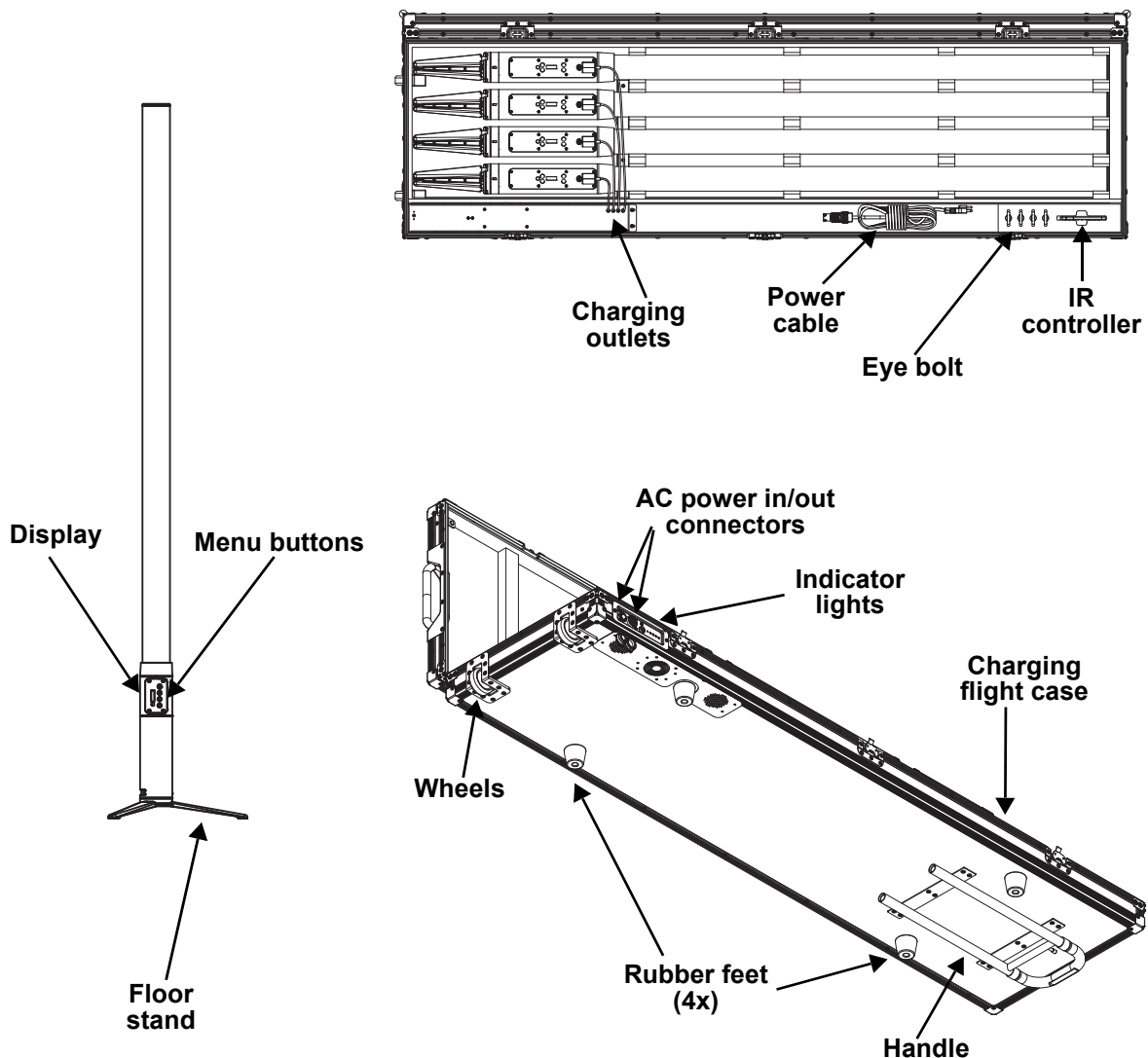
Warning! This equipment complies with FCC radiation exposure limits set forth for an uncontrolled environment. This equipment should be installed and operated with a minimum distance of 20cm between the radiator and your body. This transmitter must not be co-located or operating in conjunction with any other antenna or transmitter.

2. Introduction

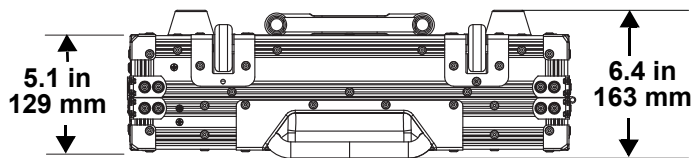
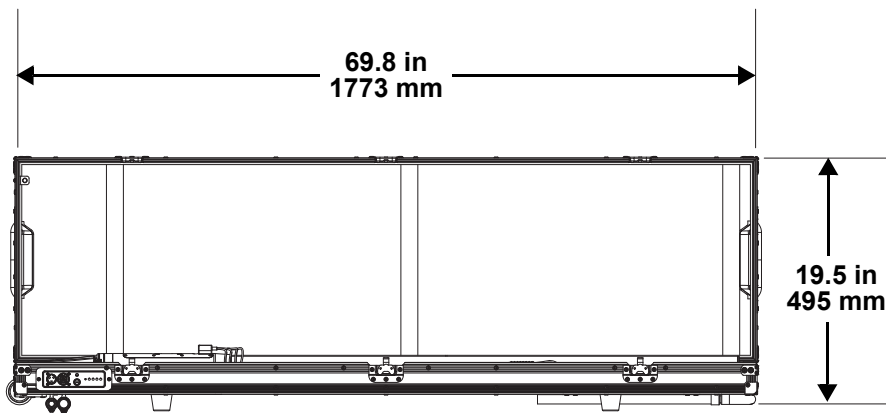
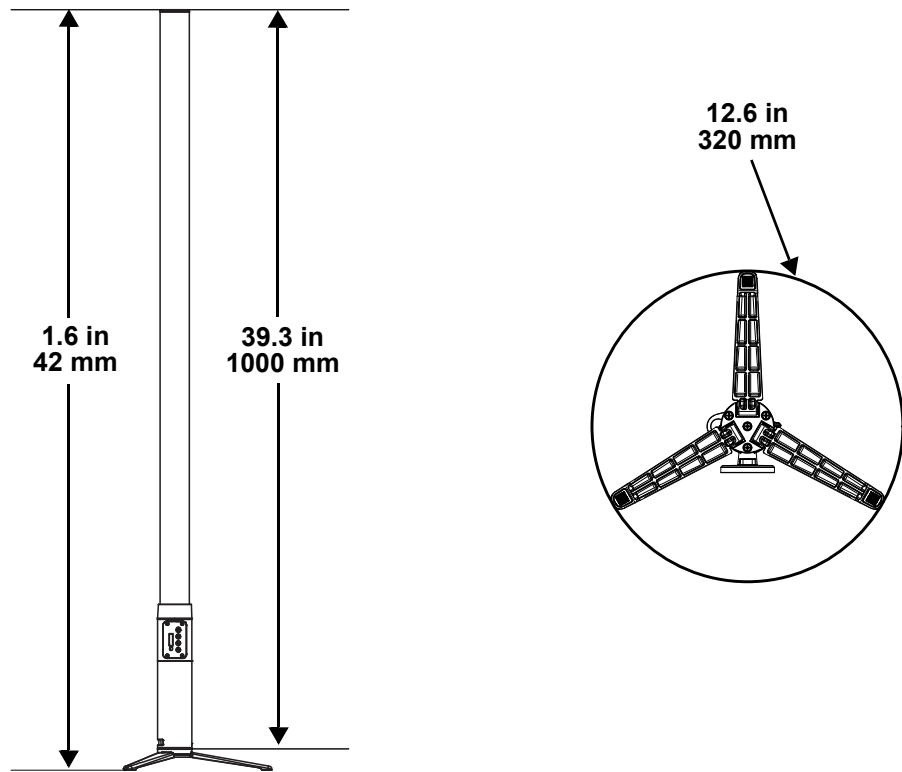
Features

- (4) Pixel-mapping, battery operated, 1.5 meter, IP65-rated LED sticks with 360 degree viewing angle, including (4) mounting stands, (4) hanging eye bolts, (1) IR remote, and (1) charging case
- 16 individual zones of control for pixel mapping effects
- High CRI LEDs for fantastic skin tone rendering
- Simple and complex operational modes
- Built-in editable pre-programmed effects that are controllable from the menu and over DMX
- 3-, 5-, 8-, and 12-hour settings for optimizing performance time
- Included accessories for several mounting options
- Included charging flight case for easy transportation and charging of fixtures
- Update software over USB-C connection in flight case (upload all 4 fixtures at once)
- Works in both standalone modes and under DMX over WDMX
- Works perfectly with the WELL-COM controller and app

Product Overview



Product Dimensions



3. Setup

AC Power

Each WELL STX 360 has an auto-ranging battery charger inside the fixture that works with an input voltage range of 100 to 240 VAC, 50/60 Hz. To determine the power requirements for each WELL STX 360, refer to the label affixed to the product or the [Technical Specifications](#) chart in this manual. The listed current rating indicates the maximum current draw during normal operation. For more information, download Sizing Circuit Breakers from the Chauvet website: www.chauvetprofessional.com.



- **Always connect the product to a protected circuit (a circuit breaker or fuse). Make sure the product has an appropriate electrical ground to avoid the risk of electrocution or fire.**
- **To eliminate unnecessary wear and improve its lifespan, during periods of non-use completely disconnect the product from power via breaker or by unplugging it.**



Never connect the product to a rheostat (variable resistor) or dimmer circuit, even if the rheostat or dimmer channel serves only as a 0 to 100% switch.

AC Plug

The WELL STX 360 charging case comes with a power input cord terminated with a Seetronic Powerkon connector on one end and an Edison plug on the other end (U.S. market). If the power input cord that came with your product has no plug, or if you need the change the plug, use the table below to wire the new plug.

Connection	Wire (U.S.)	Wire (Europe)	Screw Color
AC Live	Black	Brown	Yellow or Brass
AC Neutral	White	Blue	Silver
AC Ground	Green/Yellow	Green/Yellow	Green

Power Linking

The product supports power linking of up to 10 products at 120 V and 208 V or 11 products at 230 V. This product comes with a power input cord. Power-linking cables are available from Chauvet for purchase.

Battery Charge Notes

This product is equipped with a built-in rechargeable lithium-ion battery.

- Avoid depleting the battery below 10%.
- For best results, charge the battery in a temperature between 32 °F (0 °C) and 95 °F (35 °C).
- When charging the battery, keep the product at least 1 m from any open flame or hot plate.
- If the battery is completely discharged, the device cannot be turned on immediately when the charger is connected. Allow a depleted battery to charge a few minutes before turning on the device.
- While charging, the device may heat up. This is normal and should not affect the device's lifespan or performance. If the battery gets hotter than usual, the charger may stop charging.
- Do not charge the battery for more than 24 hours.

Storage Notes

- Store charged product(s) in a dry environment, away from direct sunlight.
- Charge or discharge the battery to approximately 50% of capacity before storage.
- Lithium-ion batteries continue to slowly discharge (self-discharge) when not in use or while in storage. Routinely check the battery's charge status.
- Store the battery at temperatures between 41 °F and 68 °F (5 °C and 20 °C).

DMX Linking

The WELL STX 360 can be linked to a DMX controller using a wireless DMX connection. If using other DMX-compatible products with this product, you can control each individually with a single DMX controller.

DMX Personalities

The WELL STX 360 uses a wireless DMX data connection for the **4Ch**, **15Ch**, **64Ch**, and **67Ch** DMX personalities.

- Refer to the [Operation](#) chapter to learn how to configure the WELL STX 360 to work in these personalities.
- The [DMX Values](#) section provides detailed information regarding the control personalities.



If you are not familiar with or need more information about DMX standards, Master/Slave connectivity, or the DMX cables needed to link this product to a DMX controller, download the DMX Primer from the Chauvet website: www.chauvetprofessional.com.

Wireless Operation

In optimal conditions, the WELL STX 360 can operate up to 300 m (900 ft) away from the W-DMX TRX transmitter. The W-DMX receiver in the WELL STX 360 must be paired with the W-DMX TRX transmitter for wireless operation.



Once a W-DMX receiver has been linked to a specific W-DMX TRX transmitter, it will remain linked to that specific transmitter until it is linked to a different one.

Initial Setup

1. Turn the W-DMX TRX transmitter on.
2. Connect the W-DMX TRX transmitter to a DMX controller.
3. Place the WELL STX 360 within 300 m from the W-DMX TRX transmitter.
4. Turn the WELL STX 360 on.

Configuration

1. From the WELL STX 360 control panel, go to **DMX Address**.
2. Select the start address, as with any other DMX compatible product.
3. Go to **Wireless Setting > Operating Mode**.
4. Select **Receive**.
5. Go to **Wireless Setting > W-DMX On/Off**.
6. Select **On**. (The Signal Strength Indicator will show a ? in front of the bars).
7. Press the reset button on the W-DMX transmitter. (The Signal Strength Indicator on the WELL STX 360 will show a ⚡ in front of the bars for 3 seconds while a connection is established.).

Product Pairing

If the WELL STX 360 has already been paired with the W-DMX TRX transmitter, the Signal Strength Indicator in the middle of the LCD screen will show the strength of the signal. In this case, the WELL STX 360 is ready to work in wireless mode.

To pair the WELL STX 360 and a new W-DMX transmitter, follow the instructions below:

1. From the WELL STX 360 control panel, go to **Wireless Setting > Receive Reset**.
2. Select **Yes**. The Signal Strength Indicator on the WELL STX 360 will show a ? in front of the bars.
3. From the W-DMX transmitter, press **<RESET>** (the Signal Indicator on the transmitter will flash).
4. Once the transmitter has found the WELL STX 360, the Signal indicator on the W-DMX transmitter will illuminate solid.
5. The Signal Strength Indicator in the middle of the LCD screen on the WELL STX 360 will show the strength of the signal.



W-DMX operation can be interrupted or inhibited by liquid masses between the transmitter and receiver. For best results, keep the area between the transmitter and receiver clear of any liquid mass.

Master/Slave Connectivity

The Master/Slave mode allows an WELL STX 360 (the master) to control one or more WELL STX 360 products (the slaves) without a DMX controller. One WELL STX 360 becomes the master when running an auto program, or by being in Static mode.

You must configure each slave's control panel to operate in Slave mode. During Master/Slave operation, the slaves will operate in unison with the master.



DO NOT connect a DMX controller to products operating in Master/Slave mode. The DMX controller signals may interfere with the signals from the master.



- The **Master/Slave Mode** section of this manual provides detailed instructions on how to configure the master and slaves.
- If you are not familiar with or need more information about DMX standards, or the DMX cables needed to link this product to a DMX controller, download the DMX Primer from the Chauvet website: www.chauvetprofessional.com.

Mounting

Before mounting the product, read and follow the safety recommendations indicated in the [Safety Notes](#). For our CHAUVET Professional line of mounting clamps, go to <http://trusst.com/products/>.

Orientation

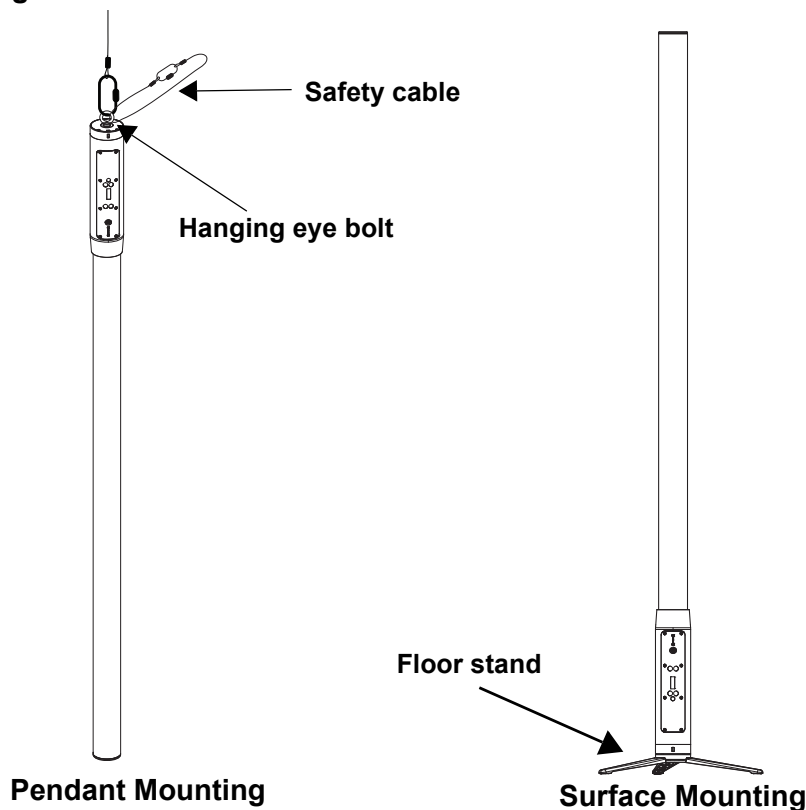
Always mount this product in a safe position, making sure there is adequate room for ventilation, configuration, and maintenance.

Rigging

Chauvet recommends using the following general guidelines when mounting this product.

- Before deciding on a location for the product, make sure there is easy access to the product for maintenance and programming purposes.
- Make sure that the structure onto which you are mounting the product can support the product's weight. See the [Technical Specifications](#) for weight information.
- When mounting the product overhead, always use a safety cable. Mount the product securely to a rigging point, whether an elevated platform or a truss.
- When rigging the product onto a truss, use a mounting clamp of appropriate weight capacity.
- When power linking multiple products, mount the products close enough for power linking cables to reach.

Mounting Diagram



4. Operation

Control Panel Operation

Button	Function
<MENU>	Exits from the current menu or function
<ENTER>	Enables the currently displayed menu or sets the currently selected value in to the current function
<UP>	Navigates upward through the menu list or increases the numeric value when in a function
<DOWN>	Navigates downward through the menu list or decreases the numeric value when in a function

Control Options

Set the WELL STX 360 starting address in the 001-512 DMX range. This enables control of up to 11 products in the 67-channel personality.

Programming

Refer to the [Menu Map](#) to understand the menu options. The menu map shows the main level and a variable number of programming levels for each option.

- To go to the desired main level, press <MENU> repeatedly until the option shows on the display. Press <ENTER> to select. This will show the first programming level for that option.
- To select an option or value within the current programming level, press <UP> or <DOWN> until the option shows on the display. Press <ENTER> to select. This will show either the first option if there is another programming level, or the selected value.
- Press <MENU> repeatedly to exit to the previous main level.

Control Panel Lock

The setting locks or unlocks the control panel.

1. Go to the **Key Lock** main level.
2. Select **On** (locks control panel) or **Off** (control panel stays unlocked).



When the control panel lock is activated, the product will prompt for the passcode to access the menu. To enter the passcode, press: <UP>, <DOWN>, <UP>, <DOWN>, <ENTER>.

DMX Configuration

Use DMX configurations to operate the product with a DMX controller.

DMX Personalities

This setting allows the user to choose a particular DMX personality.

1. Go to the **DMX Personality** main level.
2. Select the desired personality (**4Ch**, **15Ch**, **64Ch**, or **67Ch**).



- See the [Starting Address](#) section for the highest starting address suggested for each personality.
- Make sure that the starting addresses on the various products do not overlap due to the new personality setting.

Starting Address

In this mode, each product will respond to a unique starting address from the DMX controller. All products with the same starting address will respond in unison.

1. Go to the **DMX Address** main level.
2. Set the starting address (**001–512**).

The highest recommended starting address for each DMX mode is as follows:

DMX Personality	DMX Address
4Ch	509
15Ch	498
64Ch	449
67Ch	446

Menu Map

Refer to the WELL STX 360 product page on www.chauvetprofessional.com for the latest menu map.

Main Level	Programming Levels	Description					
DMX Address	001–512	Selects DMX address (highest channel restricted to personality chosen)					
DMX Channel	4Ch	4-channel: RGBW					
	15Ch	15-channel: RGBW, color temperature, strobe, auto programs, auto speed, foreground color dimmer, foreground color, background color dimmer, background color, dimmer speed, auto delay					
	64Ch	64-channel: RGBW 1–16					
	67Ch	67-channel: RGBW 1–16, strobe, dimmer, dimmer speed					
Static	Manual Color	<table border="1"> <tr><td>R</td></tr> <tr><td>G</td></tr> <tr><td>B</td></tr> <tr><td>W</td></tr> </table> 000–255	R	G	B	W	Manually adjusts RGBW color settings
	R						
	G						
	B						
	W						
	Color Temperature	2800K	Selects preset color temperature				
		2900K					
		3000K					
		3100K					
		3200K					
		3300K					
		3400K					
		3500K					
		3600K					
		3700K					
		3800K					
		3900K					
		4000K					
		4100K					
		4200K					
		4300K					
		4400K					
		4500K					
		4600K					
		4700K					
		4800K					
		4900K					
5000K							
5100K							
5200K							
5300K							
5400K							
5500K							
5600K							
5700K							
6000K							
6500K							
7000K							
7500K							
8000K							

Main Level	Programming Levels		Description	
Static (cont.)	Fixed color	R	Red	
		G	Green	
		B	Blue	
		W	White	
		GB	Green + blue	
		RB	Red + blue	
		RG	Red + green	
		RGB	Red + green + blue	
		RW	Red + white	
		GW	Green + white	
		BW	Blue + white	
		RGW	Red + green + white	
		RBW	Red + blue + white	
		GBW	Green + blue + white	
		RGBW	Red + green + blue + white	
Auto Show	Auto 1–28	Foreground	R	Red
			G	Green
			B	Blue
			W	White
			GB	Green + blue
			RB	Red + blue
			RG	Red + green
			RGB	Red + green + blue
			RW	Red + white
			GW	Green + white
			BW	Blue + white
			RGW	Red + green + white
			RBW	Red + blue + white
			GBW	Green + blue + white
			RGBW	Red + green + blue + white
			2800K	2800K white
			7000K	7000K white
			Auto	Auto colors
			Off	No foreground color
			Auto 1–28	Background
	G	Green		
	B	Blue		
	W	White		
	GB	Green + blue		
	RB	Red + blue		
	RG	Red + green		
	RGB	Red + green + blue		
	RW	Red + white		
	GW	Green + white		
	BW	Blue + white		
	RGW	Red + green + white		
	RBW	Red + blue + white		
	GBW	Green + blue + white		
	RGBW	Red + green + blue + white		
	2800K	2800K white		
	7000K	7000K white		
	Auto	Auto colors		
	Off	No background color		
		Speed		

Operation



Main Level	Programming Levels		Description
Wireless Setting	W-DMX On/Off	On	Turns wireless DMX mode on/off
		Off	
	Receive Reset (Only in Receive mode)	No	Resets the internal receiver
		Yes	
Link (Only in Transmit mode)	Link	Links or unlinks to a W-DMX receiver	
	Unlink		
Operating Mode	Receive	Receives W-DMX	
	Transmit	Transmits W-DMX	
White Balance	Off		Turns off white balance
	Manual	R	125–255 Adjusts the red, green, blue, and white LED maximum values manually
		G	
		B	
W			
IR Setting	On		Turns on infrared mode for IRC-6 remote use
	Off		
Run Time	3 hours		Shows product run time
	5 hours		
	8 hours		
	12 hours		
Dimmer Mode	Off		Dimmer off
	Dimmer 1–3		Dimming curves Dimmer 1 (fast) to Dimmer 3 (slow)
Back Light	10S		Turns off display backlight after 10 seconds of inactivity
	30S		Turns off display backlight after 30 seconds of inactivity
	2min		Turns off display backlight after 2 minutes of inactivity
	Always On		Display backlight always on
Key lock	On		Locks/unlocks the display
	Off		(Password is: <UP>, <DOWN>, <UP>, <DOWN>, <ENTER>)
Information	Fixture Hours	----_H	Shows total hours the product has been powered on
	LED Hours	----_H	Shows total LED hours
	Version	V_._	Shows current firmware version
	UID	-----	Shows product UID
Factory Reset	No		Resets the product to factory default settings
	Yes		

DMX Values

64CH	67CH	Function	Value	Percent/Setting
1	1	Red 1	000 ⇔ 255	0–100%
2	2	Green 1	000 ⇔ 255	0–100%
3	3	Blue 1	000 ⇔ 255	0–100%
4	4	White 1	000 ⇔ 255	0–100%
5	5	Red 2	000 ⇔ 255	0–100%
6	6	Green 2	000 ⇔ 255	0–100%
7	7	Blue 2	000 ⇔ 255	0–100%
8	8	White 2	000 ⇔ 255	0–100%
9	9	Red 3	000 ⇔ 255	0–100%
10	10	Green 3	000 ⇔ 255	0–100%
11	11	Blue 3	000 ⇔ 255	0–100%
12	12	White 3	000 ⇔ 255	0–100%
13	13	Red 4	000 ⇔ 255	0–100%
14	14	Green 4	000 ⇔ 255	0–100%
15	15	Blue 4	000 ⇔ 255	0–100%
16	16	White 4	000 ⇔ 255	0–100%
17	17	Red 5	000 ⇔ 255	0–100%
18	18	Green 5	000 ⇔ 255	0–100%
19	19	Blue 5	000 ⇔ 255	0–100%
20	20	White 5	000 ⇔ 255	0–100%
21	21	Red 6	000 ⇔ 255	0–100%
22	22	Green 6	000 ⇔ 255	0–100%
23	23	Blue 6	000 ⇔ 255	0–100%
24	24	White 6	000 ⇔ 255	0–100%
25	25	Red 7	000 ⇔ 255	0–100%
26	26	Green 7	000 ⇔ 255	0–100%
27	27	Blue 7	000 ⇔ 255	0–100%
28	28	White 7	000 ⇔ 255	0–100%
29	29	Red 8	000 ⇔ 255	0–100%
30	30	Green 8	000 ⇔ 255	0–100%
31	31	Blue 8	000 ⇔ 255	0–100%
32	32	White 8	000 ⇔ 255	0–100%
33	33	Red 9	000 ⇔ 255	0–100%
34	34	Green 9	000 ⇔ 255	0–100%
35	35	Blue 9	000 ⇔ 255	0–100%
36	36	White 9	000 ⇔ 255	0–100%
37	37	Red 10	000 ⇔ 255	0–100%
38	38	Green 10	000 ⇔ 255	0–100%
39	39	Blue 10	000 ⇔ 255	0–100%
40	40	White 10	000 ⇔ 255	0–100%
41	41	Red 11	000 ⇔ 255	0–100%
42	42	Green 11	000 ⇔ 255	0–100%
43	43	Blue 11	000 ⇔ 255	0–100%
44	44	White 11	000 ⇔ 255	0–100%
45	45	Red 12	000 ⇔ 255	0–100%
46	46	Green 12	000 ⇔ 255	0–100%
47	47	Blue 12	000 ⇔ 255	0–100%
48	48	White 12	000 ⇔ 255	0–100%

Operation

64CH	67CH	Function	Value	Percent/Setting
49	49	Red 13	000 ⇔ 255	0–100%
50	50	Green 13	000 ⇔ 255	0–100%
51	51	Blue 13	000 ⇔ 255	0–100%
52	52	White 13	000 ⇔ 255	0–100%
53	53	Red 14	000 ⇔ 255	0–100%
54	54	Green 14	000 ⇔ 255	0–100%
55	55	Blue 14	000 ⇔ 255	0–100%
56	56	White 14	000 ⇔ 255	0–100%
57	57	Red 15	000 ⇔ 255	0–100%
58	58	Green 15	000 ⇔ 255	0–100%
59	59	Blue 15	000 ⇔ 255	0–100%
60	60	White 15	000 ⇔ 255	0–100%
61	61	Red 16	000 ⇔ 255	0–100%
62	62	Green 16	000 ⇔ 255	0–100%
63	63	Blue 16	000 ⇔ 255	0–100%
64	64	White 16	000 ⇔ 255	0–100%
–	65	Strobe	000 ⇔ 010 011 ⇔ 255	Off Strobe, slow to fast
–	66	Dimmer	000 ⇔ 255	0–100%
–	67	Dimmer speed	000 ⇔ 051 052 ⇔ 101 102 ⇔ 152 153 ⇔ 203 204 ⇔ 255	Preset dimmer speed from display menu Dimmer speed mode off Dimmer speed mode 1 (fastest) Dimmer speed mode 2 Dimmer speed mode 3 (slowest)

4CH	15CH	Function	Value	Percent/Setting
-	1	Dimmer	000 ⇄ 255	0-100%
1	2	Red	000 ⇄ 255	0-100%
2	3	Green	000 ⇄ 255	0-100%
3	4	Blue	000 ⇄ 255	0-100%
4	5	White	000 ⇄ 255	0-100%
-	6	Color temperature	000 ⇄ 005 006 ⇄ 012 013 ⇄ 019 020 ⇄ 026 027 ⇄ 033 034 ⇄ 040 041 ⇄ 047 048 ⇄ 054 055 ⇄ 061 062 ⇄ 068 069 ⇄ 075 076 ⇄ 082 083 ⇄ 089 090 ⇄ 096 097 ⇄ 103 104 ⇄ 110 111 ⇄ 117 118 ⇄ 124 125 ⇄ 131 132 ⇄ 138 139 ⇄ 145 146 ⇄ 152 153 ⇄ 159 160 ⇄ 166 167 ⇄ 173 174 ⇄ 180 181 ⇄ 187 188 ⇄ 194 195 ⇄ 201 202 ⇄ 208 209 ⇄ 215 216 ⇄ 222 223 ⇄ 229 230 ⇄ 236 237 ⇄ 243 244 ⇄ 255	No function 2800K 2900K 3000K 3100K 3200K 3300K 3400K 3500K 3600K 3700K 3800K 3900K 4000K 4100K 4200K 4300K 4400K 4500K 4600K 4700K 4800K 4900K 5000K 5100K 5200K 5300K 5400K 5500K 5600K 5700K 6000K 6500K 7000K 7500K 8000K
-	7	Strobe	000 ⇄ 010 011 ⇄ 255	No function Strobe, slow to fast

Operation



4CH	15CH	Function	Value	Percent/Setting
			000 ⇔ 010	No function
			011 ⇔ 018	Program 1
			019 ⇔ 026	Program 2
			027 ⇔ 034	Program 3
			035 ⇔ 042	Program 4
			043 ⇔ 050	Program 5
			051 ⇔ 058	Program 6
			059 ⇔ 066	Program 7
			067 ⇔ 074	Program 8
			075 ⇔ 082	Program 9
			083 ⇔ 090	Program 10
			091 ⇔ 098	Program 11
			099 ⇔ 106	Program 12
			107 ⇔ 114	Program 13
-	8	Auto programs	115 ⇔ 122	Program 14
			123 ⇔ 130	Program 15
			131 ⇔ 138	Program 16
			139 ⇔ 146	Program 17
			147 ⇔ 154	Program 18
			155 ⇔ 162	Program 19
			163 ⇔ 170	Program 20
			171 ⇔ 178	Program 21
			179 ⇔ 186	Program 22
			187 ⇔ 194	Program 23
			195 ⇔ 202	Program 24
			203 ⇔ 210	Program 25
			211 ⇔ 218	Program 26
			219 ⇔ 226	Program 27
			227 ⇔ 255	Program 28 (cycles through programs 1–27)
-	9	Auto speed	000 ⇔ 255	Auto programs speed, slow to fast
-	10	Foreground color dimmer	000 ⇔ 255	0–100%

4CH	15CH	Function	Value	Percent/Setting
-	11	Foreground color	000 ⇔ 013	Red
			014 ⇔ 027	Green
			028 ⇔ 041	Blue
			042 ⇔ 055	White
			056 ⇔ 069	Green + blue
			070 ⇔ 083	Red + blue
			084 ⇔ 097	Red + green
			098 ⇔ 111	Red + green + blue
			112 ⇔ 125	Red + white
			126 ⇔ 139	Green + white
			140 ⇔ 153	Blue + white
			154 ⇔ 167	Red + green + white
			168 ⇔ 181	Red + blue + white
			182 ⇔ 195	Green + blue + white
			196 ⇔ 209	Red + green + blue + white
210 ⇔ 223	2800K			
224 ⇔ 237	7000K			
238 ⇔ 255	Auto			
-	12	Background color dimmer	000 ⇔ 255	0–100%
-	13	Background color	000 ⇔ 013	Red
			014 ⇔ 027	Green
			028 ⇔ 041	Blue
			042 ⇔ 055	White
			056 ⇔ 069	Green + blue
			070 ⇔ 083	Red + blue
			084 ⇔ 097	Red + green
			098 ⇔ 111	Red + green + blue
			112 ⇔ 125	Red + white
			126 ⇔ 139	Green + white
			140 ⇔ 153	Blue + white
			154 ⇔ 167	Red + green + white
			168 ⇔ 181	Red + blue + white
			182 ⇔ 195	Green + blue + white
			196 ⇔ 209	Red + green + blue + white
210 ⇔ 223	2800K			
224 ⇔ 237	7000K			
238 ⇔ 255	Auto			
-	14	Dimmer speed mode	000 ⇔ 051	Preset dimmer speed from display menu
			052 ⇔ 101	Dimmer speed mode off
			102 ⇔ 152	Dimmer speed mode 1 (fastest)
			153 ⇔ 203	Dimmer speed mode 2
			204 ⇔ 255	Dimmer speed mode 3 (slowest)
-	15	Auto delay	000 ⇔ 255	0–100%

Operation

Standalone Configuration

Use standalone configuration to operate the product without a DMX controller.

Static Mode

Manual Color Mixer

To do color mixing without a DMX controller, follow the instructions below:

1. Go to the **Static** main level.
2. Select **Manual Color**.
3. Select which **RGBW** color to adjust.
4. Set color value from **000–255**.

Color Temperature

To select a preset color temperature, do the following:

1. Go to the **Static** main level.
2. Select **Color Temperature**.
3. Select the desired color temperature, from **2800K** to **8000K**.

Fixed Color

To select a single or combination RGBW color, follow the instructions below:

1. Go to the **Static** main level.
2. Select **Fixed Color**.
3. Select a single RGBW color or an RGBW color combination.

Auto Programs

To select which auto program to display, do the following:

1. Go to the **Auto Show** main level.
2. Select the desired auto program, from **Auto 1–28**.
3. Select between **Foreground** (sets what foreground color to display) and **Background** (sets what background color to display).
4. Select among **RGBW** color or color combinations, **2800K**, **7000K**, **Auto** (automatic colors), or **Off** (no foreground or background color).



The auto programs cannot be edited.

Auto Program Speed

To adjust the speed of the auto programs, follow the instructions below:

1. Go to the **Auto Show** main level.
2. Select the desired auto program, from **Auto 1–28**.
3. Select **Speed**.
4. Select the speed of auto programs, from **1** (slowest) to **100** (fastest).

White Balance

To set the maximum values of a given LED color to create a white light output, do the following:

1. Go to the **White Balance** main level.
2. Select **Off** (to use factory default white setting) or **Manual** (to customize the white balance).
 - a. Select the desired color (**RGBW**).
 - b. Set the desired value for the selected color (**125–255**).
 - c. Repeat steps a–b until the static color is set as desired.

Run Time

To lessen the product output to maximize the product run time, follow the instructions below:

1. Go to the **Run Time** main level.
2. Select the desired product run time (**3**, **5**, **8**, and **12 hours**).

Back Light

To select the amount of time the back light on the WELL STX 360's display stays on after the last button is pressed on the control panel, do the following:

1. Go to the **RBack Light** main level.
2. Select **Always On** (remains On), **10S** (10 seconds), **30S** (30 seconds), or **2min** (2 minutes).

Dimmer Profiles

This setting provides four different options to simulate the dimming curve of an incandescent lighting product. To set how fast the output of the WELL STX 360 changes when the output value is modified, do the following:

1. Go to the **Dimmer Mode** main level.
2. Select a dimmer curve (**Off**, **Dimmer 1**, **Dimmer 2**, or **Dimmer 3**).



Off: The output is proportional (linear) to the dimmer channel value.

Dimmer 1–3: The output follows the dimmer value based on the corresponding dimmer curve, DIM1 being the fastest.

System Information

To display the total number of hours the product has run, the total LED hours, the installed software version, and the product's UID, follow the instructions below:

1. Go to the **Information** main level.
2. Select **Fixture Hours**, **LED Hours**, **Version**, or **UID**.

Factory Reset

To restore the WELL STX 360 to factory default settings, do the following:

1. Go to the **Factory Reset** main level.
2. Select **No** (do not reset) or **Yes** (reset to factory default settings).

Master/Slave Mode

The Master/Slave mode allows a group of WELL STX 360 products (the slaves) to simultaneously duplicate the output of another WELL STX 360 (the master) without a DMX controller. To set each of the slaves:

1. Go to **Wireless Setting > W-DMX On/Off**.
2. Select **On**.
3. Go to **Wireless Setting > Operating Mode**.
4. Select **Receive**.
5. Go to **Wireless Setting > Receive Reset**.
6. Select **Yes**.

To set the master:

1. Go to **Wireless Setting > W-DMX On/Off**.
2. Select **On**.
3. Go to **Wireless Setting > Operating Mode**.
4. Select **Transmit**.
5. Go to **Wireless Setting > Link**.
6. Select **Link** to link to the slave products.
7. Select a standalone setting, or control with the IR remote.



- **The master is the one that runs a program whether in Auto, Static, or IR mode.**
- **Do not connect a DMX controller to the products configured for Master/Slave operation. The DMX controller may interfere with signals from the master.**
- **Do not connect a WDMX transmitter to the products configured for Master/Slave operation. The WDMX transmitter may interfere with signals from the master.**

Infrared Remote Control

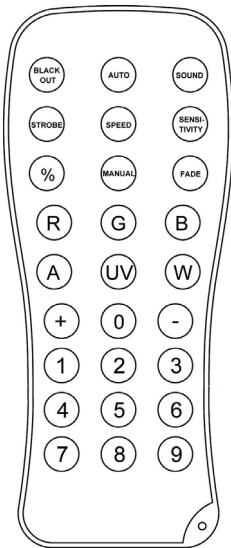
Infrared (IR) mode allows the product to be controlled with an infrared remote control. The IR remote can remotely set the product to various modes; adjust the color, speed, and sensitivity; and set the strobe. The WELL STX 360 is compatible with the IR remote (sold separately) from Chauvet.



It may be necessary to turn the product off and on again when switching from W-DMX to IRC and vice versa.

IR Remote Operation

Ensure that the IR remote is pointing directly at the product, and there is nothing in between the remote and the product.



Automatic Mode

Automatic mode will enable the automatic programs on the product.

To turn on Automatic mode:

1. Press **<AUTO>** on the IR remote.
2. Press **<+>** or **<->** to choose between the 28 auto programs.

To adjust the speed of the automatic program:

1. Press **<SPEED>** on the IR remote.
2. Press **<+>** or **<->** to increase or decrease the speed.

Manual Color Control

To choose a specific color with the IR remote, press any number between **<0>** and **<9>**. To manually control the RGBW percentage:

1. Press **<MANUAL>** on the IR remote.
2. Press **<R>**, **<G>**, ****, or **<W>** (red, green, blue, or white) to choose a color.
3. Press **<+>** or **<->** to increase or decrease the value of the selected color.

Miscellaneous Operation

To black out the lights:

- Press **<BLACKOUT>** on the IR remote. This will turn off all the lights until the button is pressed again.

To adjust the output level:

1. Press **<%>** on the IR remote.
2. Press **<+>** or **<->** to increase or decrease the output level.

Note: The IR remote will not respond to any inputs when the Black Out mode is activated. If the remote does not respond when a button is pressed, try pressing <BLACK OUT>. You may have inadvertently activated the Black Out mode.

5. Technical Information

Product Maintenance

To maintain optimum performance and minimize wear, clean this product frequently. Usage and environment are contributing factors in determining the cleaning frequency.

Clean this product at least twice a month. Dust build-up reduces light output performance and can cause overheating. This can lead to reduced light source life and increased mechanical wear.

To clean the product:

1. Unplug the product from power.
2. Wait until the product is at room temperature.
3. Use a vacuum (or dry compressed air) and a soft brush to remove dust collected on the external vents.
4. Clean all surfaces with a mild soap solution, ammonia-free glass cleaner, or isopropyl alcohol.
5. Apply the solution directly to a soft, lint free cotton cloth or a lens cleaning tissue.
6. Softly drag any dirt or grime to the outside of the transparent surface.
7. Gently polish the transparent surfaces until they are free of haze and lint.



Always dry the transparent surfaces carefully after cleaning them.



Avoid spinning the cooling fans using compressed air to prevent damage.

Technical Specifications

6. Technical Specifications

Dimensions and Weight

Length	Width	Height	Weight
59.09 in (1501 mm)	2.75 in (70 mm)	2.75 in (70 mm)	9 lb (4.1 kg)

Note: Dimensions in inches rounded to the nearest decimal digit.

Power

Power Supply Type	Range	Voltage Selection
Switching (internal)	100 to 240 VAC, 50/60 Hz	Auto-ranging

Parameter	120 V, 60 Hz	208 V, 60 Hz	230 V, 50 Hz
Consumption (single unit charging)	40 W	66 W	67 W
Consumption (charging case)	160 W	264 W	268 W
Operating current (single unit charging)	0.331 A	0.315 A	0.291 A
Operating current (charging case)	1.32 A	1.26 A	1.19 A
Power-linking products	10 products	10 products	11 products

Power I/O	U.S./Worldwide	UK/Europe
Power input connector	Seetronic Powerkon IP65	Seetronic Powerkon IP65
Power output connector	Seetronic Powerkon IP65	Seetronic Powerkon IP65
Power cord plug	Edison (U.S.)	Local plug

Battery

Battery Type	Battery Charge	Battery Life	Battery Power
Lithium ion	6 hours	3-, 5-, 8-, or 12-hour settings	14.8 V, 6.7 Ah

Light Source

Type	Color	Quantity	Power	Current	Lifespan
LED	RGB Warm white	256 256	45 W	3.0 A	50,000 hours

Photometrics

Parameter	Total Value	Parameter	Total Value
Beam angle	360°	Color temperature (range)	2800K to 8000K
Field angle	360°	Color temperature (full)	9670K
Illuminance (total)	5 lux @ 5m (3 hour runtime)		

Thermal

Maximum External Temperature

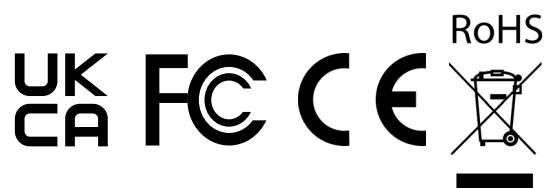
113 °F (45 °C)

DMX

I/O Connector	Channel Range
WDMX	4, 15, 64, or 67 channels

Ordering

Product Name	Item Name	Item Code	UPC Number
WELL STX 360	WELLSTX360X4	03031784	781462221324



Returns

Send the product prepaid, in the original box, and with the original packing and accessories. Chauvet will not issue call tags.

Call Chauvet and request a Return Merchandise Authorization (RMA) number before shipping the product. Be prepared to provide the model number, serial number, and a brief description of the cause(s) for the return.

To submit a service request online, go to www.chauvetprofessional.com/service-request.

Clearly label the package with an RMA number. Chauvet will refuse any product returned without an RMA number.



Write the RMA number on a properly affixed label. DO NOT write the RMA number directly on the box.

Once you have the RMA number, provide the following information on a piece of paper and place it inside the box:

- Your name
- Your address
- Your phone number
- RMA number
- A brief description of the problem

Be sure to pack the product properly. Any shipping damage resulting from inadequate packaging will be your responsibility. FedEx packing or double-boxing are recommended.



Chauvet reserves the right to use its own discretion to repair or replace returned product(s).

Contact Us

General Information	Technical Support
Chauvet World Headquarters	
Address: 5200 NW 108th Ave. Sunrise, FL 33351 Voice: (954) 577-4455 Fax: (954) 929-5560 Toll Free: (800) 762-1084	Voice: (844) 393-7575 Fax: (954) 756-8015 Email: chauvetcs@chauvetlighting.com Website: www.chauvetprofessional.com
Chauvet Europe Ltd	
Address: Unit 1C Brookhill Road Industrial Estate Pinxton, Nottingham, UK NG16 6NT Voice: +44 (0) 1773 511115 Fax: +44 (0) 1773 511110	Email: UKtech@chauvetlighting.eu Website: www.chauvetprofessional.eu
Chauvet Europe BVBA	
Address: Stokstraat 18 9770 Kruishoutem Belgium Voice: +32 9 388 93 97	Email: BNLtech@chauvetlighting.eu Website: www.chauvetprofessional.eu
Chauvet France	
Address: 3, Rue Ampère 91380 Chilly-Mazarin France Voice: +33 1 78 85 33 59	Email: FRtech@chauvetlighting.fr Website: www.chauvetprofessional.eu
Chauvet Germany	
Address: Bruno-Bürgel-Str. 11 28759 Bremen Germany Voice: +49 421 62 60 20	Email: DEtech@chauvetlighting.de Website: www.chauvetprofessional.eu
Chauvet Mexico	
Address: Av. de las Partidas 34 - 3B (Entrance by Calle 2) Zona Industrial Lerma Lerma, Edo. de México, CP 52000 Voice: +52 (728) 690-2010	Email: servicio@chauvet.com.mx Website: www.chauvetprofessional.mx

Visit the applicable website above to verify our contact information and instructions to request support. Outside the U.S., U.K., Ireland, Benelux, France, Germany, or Mexico, contact the dealer of record.