

SEETRONIC

Product Data Sheet

Product Type IP65 RJ45 Socket

Product Model SE8FDYH-44

Customer Name _____

Manufacturer	Prepared	Checked	Approved

Customer	Received	Checked	Confirmed



Product Data Sheet

Product Type	IP65 RJ45 Socket	
Product Model	SE8FDYH-44	

Product Features

- RJ45 socket with uniform metal flange and standard D-shape installation size
- Chrome plated housing
- Install from the front of the panel
- The rear end is wire-bonded
- Can reach the protection level of IP65 when used with waterproof cover which fully meets long-lasting and stable signal transmission under severe outdoor conditions



Product Data Sheet

Product Parameters

Item	Specification
Connection Type	RJ45
Gender	Female

Electrical Parameters

Item	Specification
Contact resistance	< 10 mΩ
Rated current	1.5 A
Rated voltage	50 V
Insulation resistance	≥ 0.5GΩ
Dielectric strength	1 KV DC
Frequency range	1~100 MHz
Transmission performance	Class D



Product Data Sheet

Mechanical Parameters

Item	Specification
Insertion force	≤ 20 N
Chassis shape	D
Service life	> 1000 mating cycles
Locking device	Latch lock

Material and Environmental Parameters

Item	Specification
Housing	Zinc alloy
Contacts	Copper alloy
Insert	PBT
Contact surface	Au
Housing plating	Cr
Temperature range	-30°C ~ +80°C

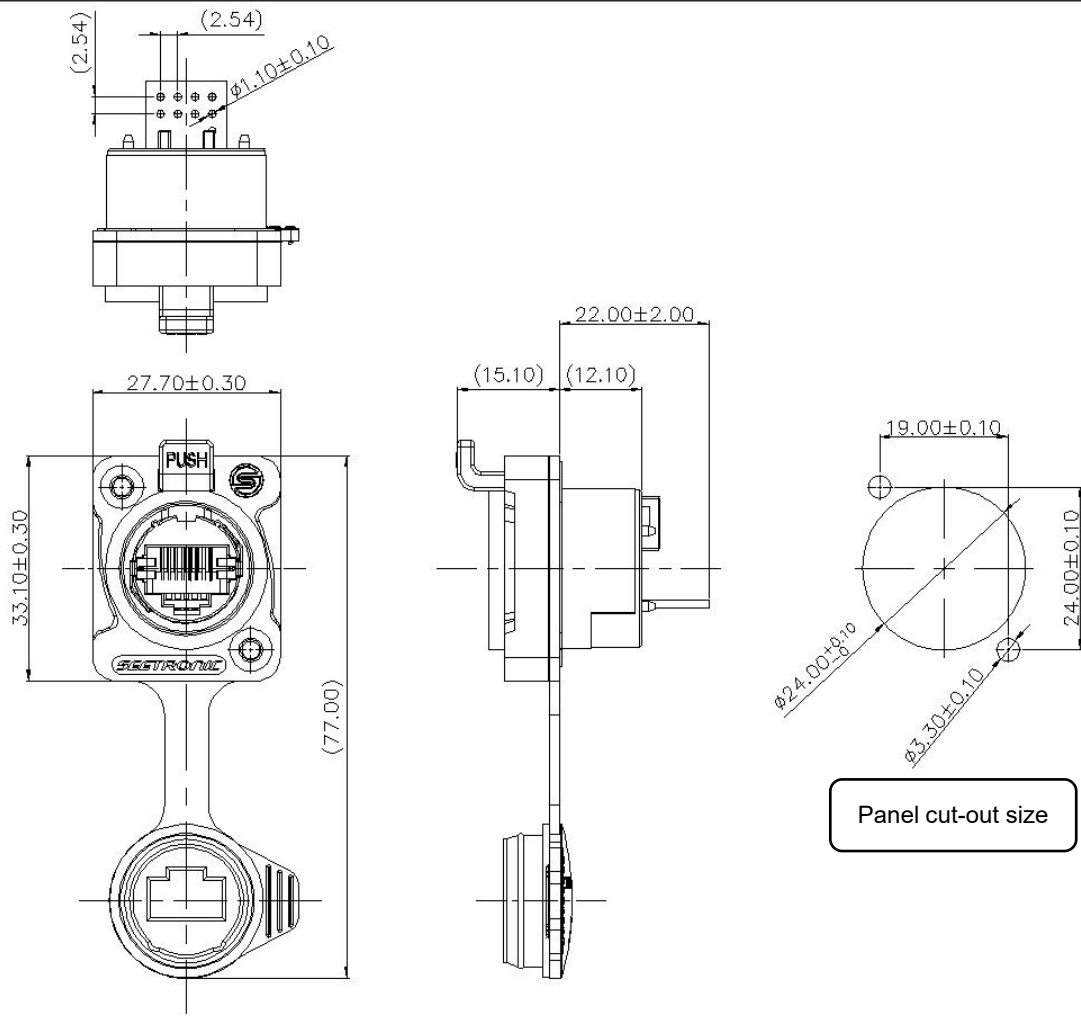
Standards and Certifications

Standards	ITIA/EIA 586B, IEC11801
-----------	-------------------------



Product Data Sheet

Product Drawing



Unit: mm

Packaging Method

1 pc per bag (include 1 pc socket and waterproof gasket)

50 pcs per inner carton, 5 inner cartons per master carton (250 pcs per master carton)



Product Data Sheet

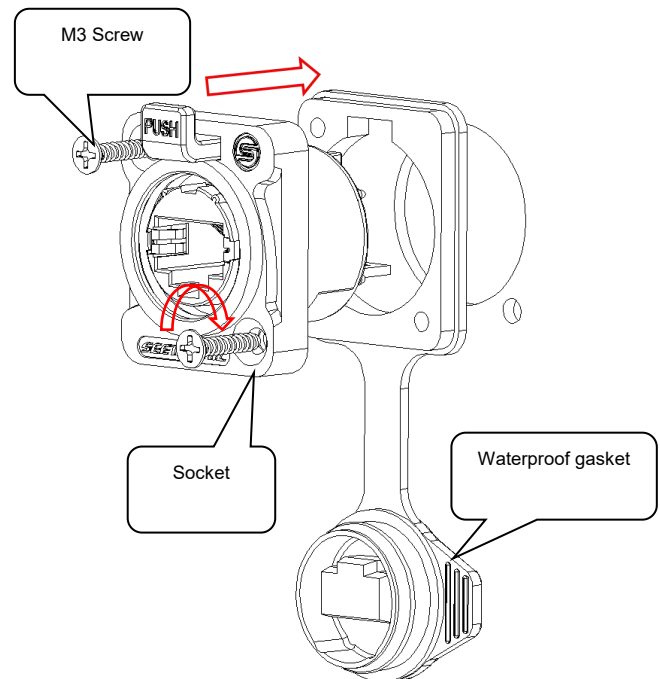
Accessory

- | | |
|---|---|
| <input type="checkbox"/> No accessories | <input type="checkbox"/> Back fastener plate |
| <input checked="" type="checkbox"/> Screws and Nuts | <input checked="" type="checkbox"/> Waterproof gasket |

Assembly Instructions

- (1) First, match the waterproof gasket with the socket, and then install the socket in the open hole of the box. Finally, tighten the screws with 0.5 Nm torque in a clockwise direction.

(Note: Panel thickness 1.5 ~ 4mm)



- (2) Wiring diagram

