



NBB75FA

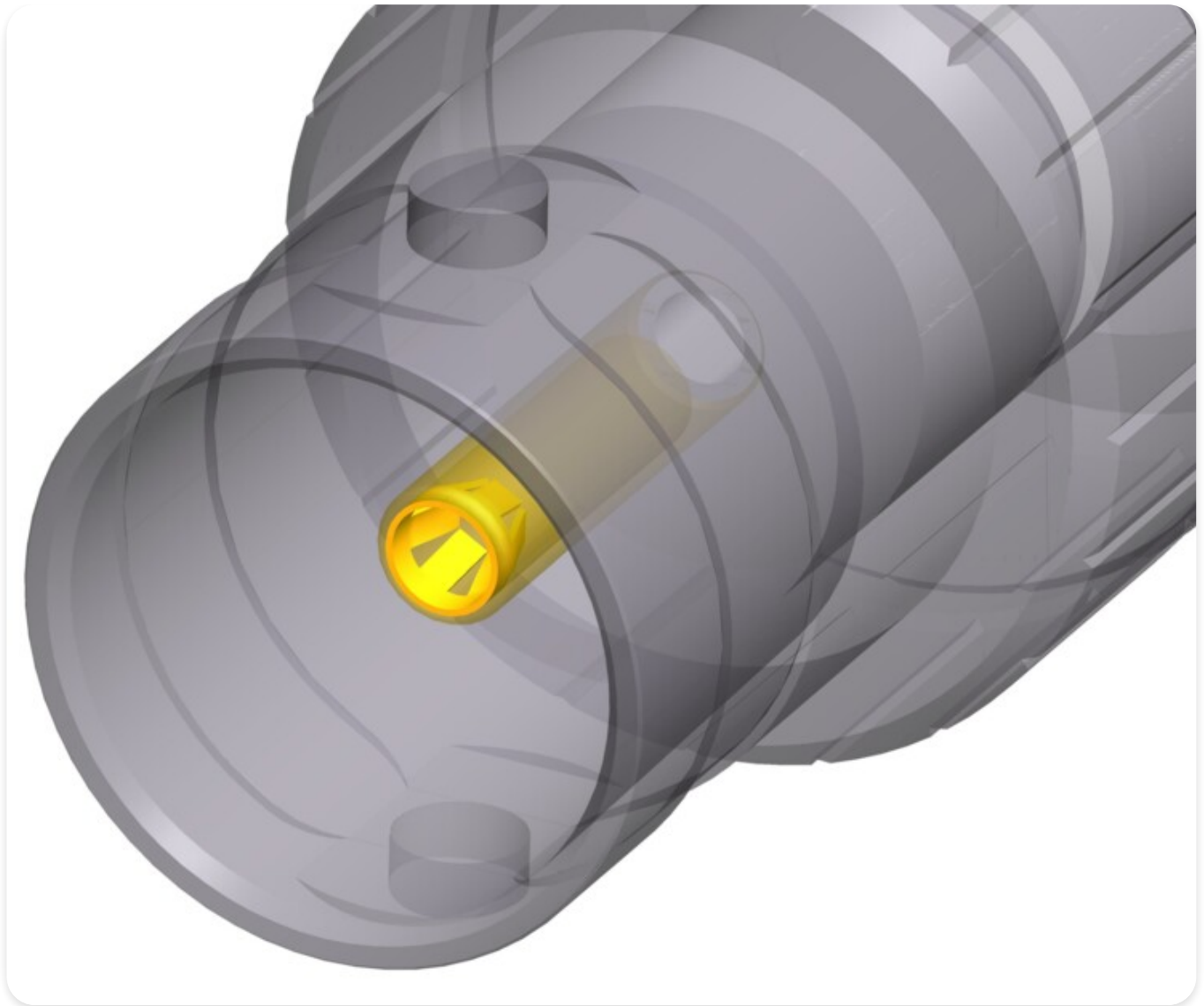
The BNC feed through coupler offers a true 75 Ω design for serial and digital (HD & UHD) signals. The machined brass connector body provides an extremely rugged and non-abrasive connection over long term use.

Features & Benefits

- ✓ Gold plated cage type center contact
- ✓ True 75 Ω design meets the stringent HD & UHD requirements

New cage type contact

- ✓ Closed contact design - extremely robust
- ✓ Gold plated cage type clip - best possible shielding and lowest contact resistance



Technical Information

Product	
Title	NBB75FA
Connection Type	BNC 75 Ω
Gender	female

Electrical	
Signal Type	HD, SDI, Video, AES/EBU, Composit, YUV, RGB, RGBH, RGBHV
Contact resistance	$\leq 3 \text{ m}\Omega$ (inner)
Contact resistance	$\leq 2 \text{ m}\Omega$ (outer)
Dielectric strength	1.5 kVdc
Insulation resistance	$> 5 \text{ G}\Omega$
Rated voltage	$< 50 \text{ V}$
VSWR	$\leq 1.03 / > 37 \text{ dB}$ up to 1 GHz $\leq 1.05 / > 32 \text{ dB}$ up to 2 GHz $\leq 1.08 / > 28 \text{ dB}$ up to 3 GHz

Mechanical	
Insertion force	$< 25 \text{ N}$
Lifetime	> 1000 mating cycles
Wiresize	
Locking device	Bayonett

Material	
Contacts	Brass (CuZn39Pb3) (ground contact)
Insert	PTFE
Shell	Brass (CuZn39Pb3)

Environmental	
Temperature range	$-30 \text{ }^\circ\text{C}$ bis $+85 \text{ }^\circ\text{C}$