



# HiMaxX 100Sa

## PROCESSED ACTIVE SUBWOOFER

### APPLICATIONS

- Low frequency extension for Live Sound PA System, DJ System
- School & Corporate Audio Visual Sound Reinforcement
- Background Music: Restaurants, Pubs
- Clubs, Auditoriums, Theatres
- Gyms, Houses of Worship

### FEATURES

- 0,7" birch plywood cabinet , 94,8 lbs
- Power Output: 900W RMS
- 18" custom neodymium B&C woofer with 3" voice coil
- Control Panel with Master volume control, 0°-180° phase reversal switch, Left and Right channel balanced inputs, Link outputs, Left and Right balanced filtered outputs, Ground lift switch, Neutrik
- XLR balanced inp/out, Thermal & Limiter indicators.
- Top mount satellite speaker socket
- Optional Carrying Bags available for protection for portable use
- Very high SPL capability: 141dB



Designed, Engineered  
and Manufactured in ITALY

### PRODUCT DESCRIPTION

The FBT HiMaxX 100SA powered subwoofer features a 0,7" birch plywood cabinet with scratch & scuff resistant black paint finish. The FBT HiMaxX 100SA features a custom designed B&C 18" woofer with a 3" voice coil, neodymium magnet structure and an aluminium die cast frame. The special bandpass acoustic loading increases efficiency and maximum SPL. With a frequency range of 38Hz-120Hz, the HiMaxX 100SA providing floor shaking low frequency extension with a SPL of 141dB. The HiMaxX 100SA powered subwoofer features a 900W RMS PWM (Pulse Width Modulation) passively cooled (no fan) low frequency amp that offers 90% efficiency. The FBT HiMaxX 100SA amplifier design, like all FBT powered HiMaxX Speakers prevents annoying thermal shutdowns that plague many other powered speakers and powered subwoofers. The control panel features a Master volume control, 0°-180° phase reversal switch, Left and Right channel balanced inputs, Link outputs, Left and Right balanced filtered outputs, Ground lift switch, Neutrik XLR balanced inp/out, Thermal & Limiter indicators. A standard top mount 1,38" speaker stand socket allows satellite speakers such as the FBT HiMaxX 40A, FBT HiMaxX 60A and others to be placed above the subwoofer cabinet on an adjustable satellite speaker pole mount.

### ELECTRICAL PERFORMANCE

System Type	Self powered band pass
Built-in Amplifiers	900W RMS
Frequency Response @ -6dB	38Hz - 120Hz
Input Impedance	22kOhm
Input Sensitivity	0dBu line
Maximum SPL ( continuous/peak ) *	139dB / 141dB
Dispersion	omnidirectional
Active Crossover Frequency	120kHz

### PHYSICAL

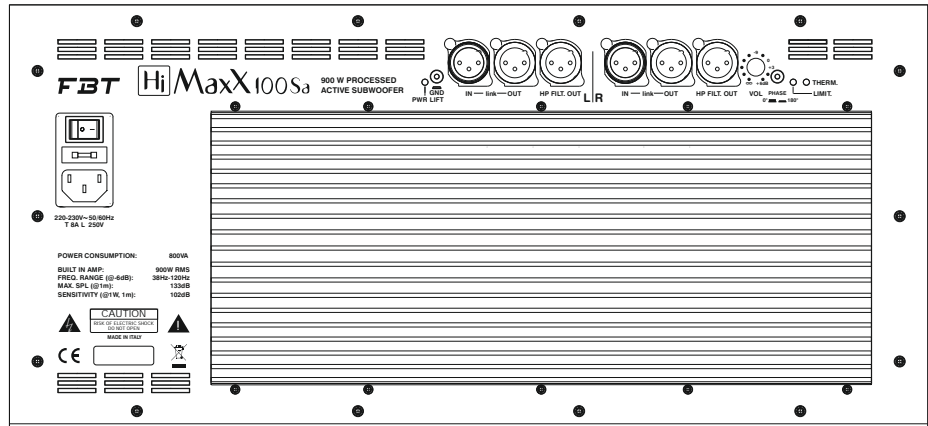
Low Frequency Woofer	1 x 18" - 3" coil
Input Connectors	XLR stereo with loop
Net Dimensions (WxHxD)	21" x 24,8" x 25,2"
Shipping Dimensions (WxHxD)	26" x 29" x 31"
Net Weight	94,8 lbs
Shipping Weight	103,6 lbs
Enclosure Material	Birch plywood
Power Cord	197 inch

\* CONT. SPL: half space, based on RMS power amp rating and LF transducer average sensitivity data, 125mS time average  
PEAK SPL: half space, based on peak power amp rating and system peak sensitivity, 10mS time average

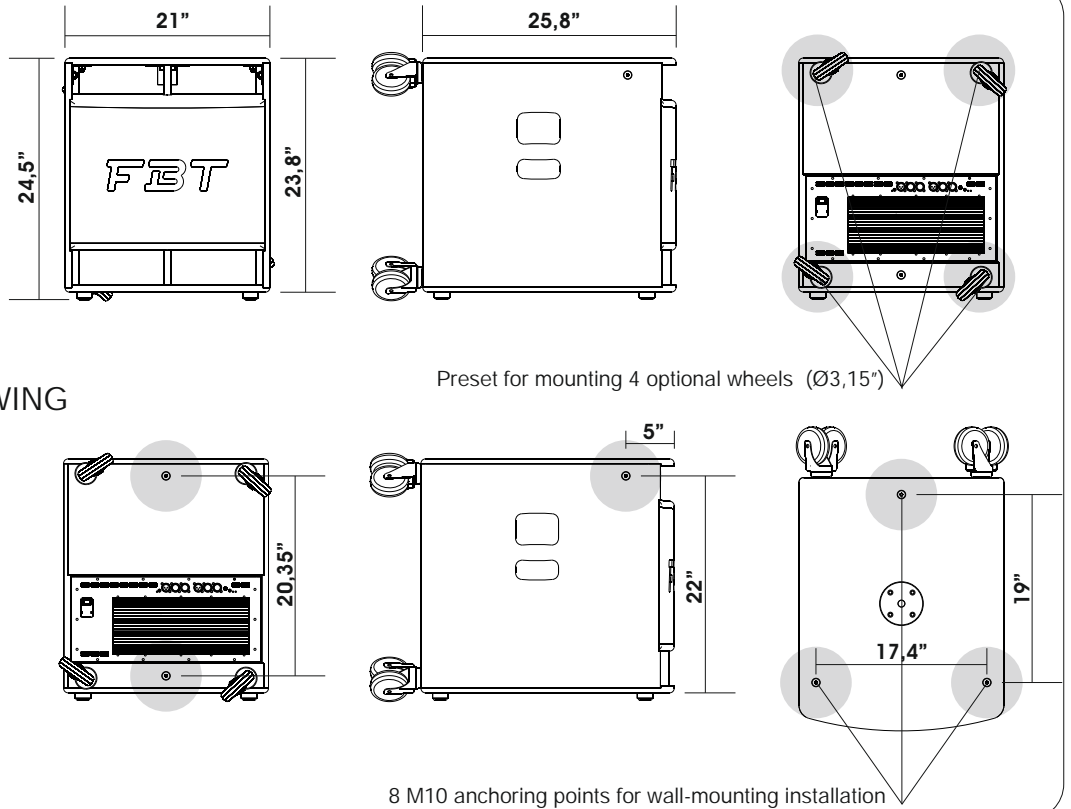


# HiMaxX100Sa

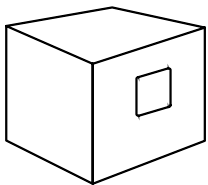
## CONTROL PANEL



## DIMENSION DRAWING



## ACCESSORIES



V56 Nylon case

BOX 52BK  
 Adjustable for sub-satellite speaker connection, with safety locking device

## RISPOSTA IN FREQUENZA

