

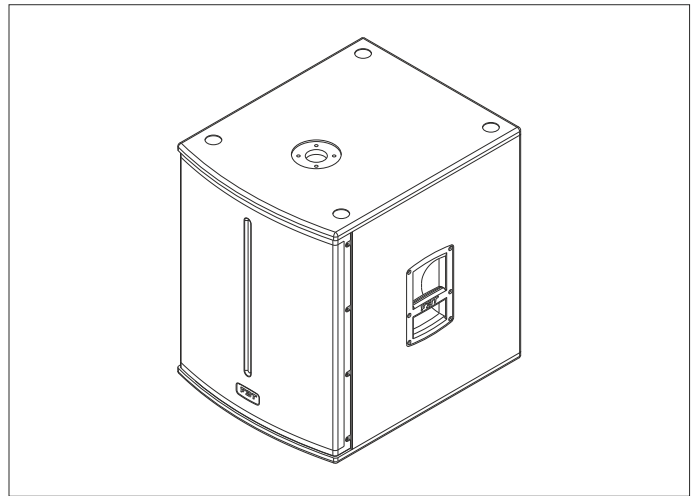


APPLICATIONS

- Permanent installations in:
Theatres, Concert halls, Clubs, Places of Worship, Conference rooms, Indoor sports, Arenas and Stadiums.
- Sound reinforcement for live events:
Touring, Bands, Orchestras.
- Designed as the perfect partner for the FBT X-LITE and X-PRO series.

KEY FEATURES

- Active subwoofer
- 18mm / 0,70" birch plywood cabinet
- 18" woofer / 3" voice coil
- 1200W RMS Class D power amplifier
- 4 DSP presets
- Frequency response 38Hz - 120Hz
- M20 top mount speaker stand socket
- Optional 100mm / 3,93" transport wheels



PRODUCT DESCRIPTION

The FBT X-SUB 118SA, 1 x 18" bass-reflex design subwoofer, is the perfect low frequency extension and the ideal companion for the FBT X-LITE and FBT X-PRO series. The FBT X-SUB 118SA provides the following performance criteria: frequency response of 38Hz to 120Hz @ -6dB, maximum SPL of 136 dB peak, 1200W Class D amplifier. The FBT X-SUB 118SA provides a DSP processor with 4 presets (2 responses with 2 different cut-off frequencies). The FBT X-SUB 118SA feature 0,70" birch plywood construction with scratch resistant black paint finish with M20 top mounted stand adapter, two FBT design aluminium handles and four optional 100mm/3,93" transport wheels. The control panel provides two channels with stereo combo XLR/jack in-outs, stereo XLR HP filter outs, level control, preset switch, 0°/180° phase reversal switch, prt-lmt led indicators.

ELECTRONIC SPECIFICATIONS

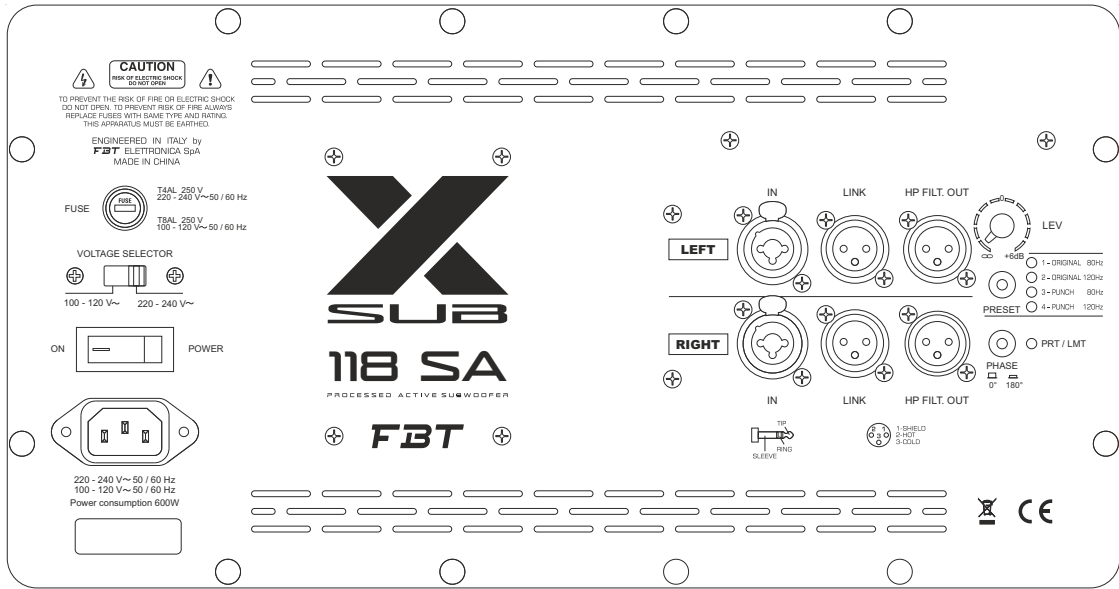
System Type	bass reflex
Internal amplifier	1200W
Input Impedance	22 kOhm
Frequency Response	38Hz - 120Hz (@-6dB)
Maximum SPL peak	136dB half space
Dispersion	omnidirectional
AC Power Requirement	600W

PHYSICAL SPECIFICATIONS

Low Frequency Woofer	18" / 3" coil	
Input Connectors	XLR with loop	
Net Dimensions (WxHxD) inch	20,07 x 25,78 x 24,80	
	mm	510 x 655 x 630
Net Weight	74,95 lbs / 34kg	
Enclosure Material	plywood	
Grille	Steel with powder coat black paint finish	
Power Cord	16,4ft / 5mt	



CONTROL PANEL



DIMENSIONAL DRAWINGS

ONLY FOR GROUND STACK CONFIGURATION

