

Active Point Source

MAIN APPLICATIONS

- Personal monitor
- Small theatres
- Auditoriums
- Piano bar
- DJ
- Stage monitor
- Conference rooms
- Fixed installation in live clubs
- Pubs
- Gyms

MAIN FEATURES

- 2-way coaxial
- 100W LF / 50W HF max RMS
- 5" low frequency woofer with 1.5" coil
- 1" high frequency driver with 1" coil
- 4 x DSP preset
- Input connectors XLR with loop
- Gas injected polypropylene enclosure
- Speaker wall/ceiling mount stand (optional)
- 1" top-hat stand socket
- Universal main voltage 100/240V
- Available in black and white color

DESCRIPTION

The FBT CANTO 5CA serie speakers feature lightweight in gas injected polypropylene enclosure. Available in black or white finish, the FBT CANTO 5CA provides fixed installations with an elegant design that blends into any decor. The asymmetrical shape of the FBT CANTO 5CA cabinet also allows use as a powered floor stage monitor. The FBT CANTO 5CA is of two ways design incorporating a 5" coaxial low frequency woofer with 1.5" voice coil and 1" high frequency driver with 1" voice coil coupled to 90° dispersion. On-board digital signal processing with dynamic equalizations and protections for high SPL; with a frequency range of 70Hz to 20kHz, the FBT CANTO 5CA provide high fidelity sound for both speech and music applications with a maximum SPL of 117dB. The bi-amp FBT CANTO 5CA active speaker feature a 100W RMS low frequency woofer and a 50W RMS high frequency driver.

The control panel features a Level control, HPF switch, Mic/Line selector, Stand-By led indicator, PRT led indicator, PRESET switch, 2 x XLR sockets (IN & LINK). A standard 1" speaker stand socket allows the FBT CANTO 5CA to be mounted on speaker stand; in addition two fixing points positioned at the rear of the cabinet allow the use of a horizontally and vertically adjustable wall support (WM45).

TECHNICAL SPECIFICATIONS

GENERAL

Configuration	way	2 - Coaxial
Low frequency woofer	inch	5 - 1.5 coil
High frequency driver	inch	1 - 1 coil

ACOUSTIC SPEC.

Frequency response	(@ -6dB)	70 Hz - 20kHz
SPL max. (cont / peak)	dB	114 / 117
Dispersion	H x V	90°

AMPLIFIER

Built in amplifier max. (LF / HF)	W RMS	100 / 50
Built in amplifier max. peak (LF / HF)	W	200 / 100
Input impedance	kOhm	22

INPUTS / OUTPUTS

Power supply		IEC socket
Connectors		1 x XLR male - 1 x XLR female

POWER SUPPLY

AC power consumption	W	100
Power cord	mt ft	5 16,4

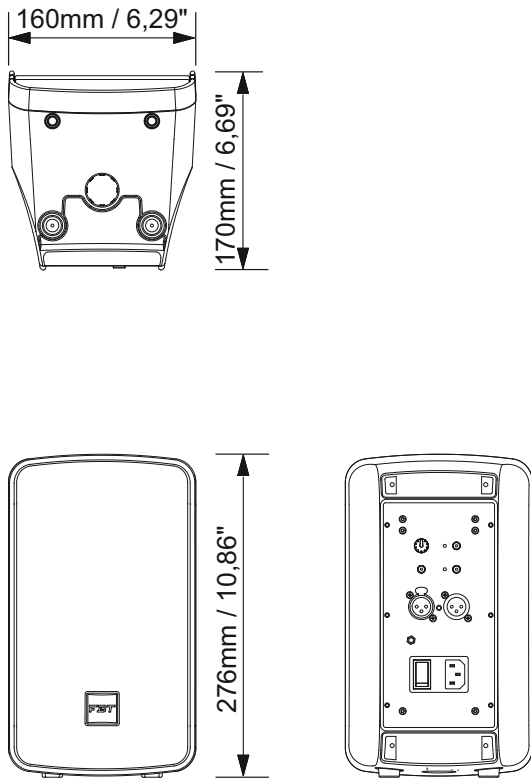
MECHANICAL SPEC.

Material		Gas injected polypropylene
Net size (WxHxD)	mm inch	160 x 276 x 170 6,29 x 10,86 x 6,69
Net weight	kg Lbs	2,07 5,95



DIMENSIONAL DRAWING

CONTROL PANEL



ACCESSORIES

