

A

B

C

D

E

F

G

H

I

J

K

L

M

N

O

P

Q

R

S

T

U

V

W

X

Y

Z

AA

AB

AC

AD

AE

AF

AG

AH

AI

AJ

AK

AL

AM

AN

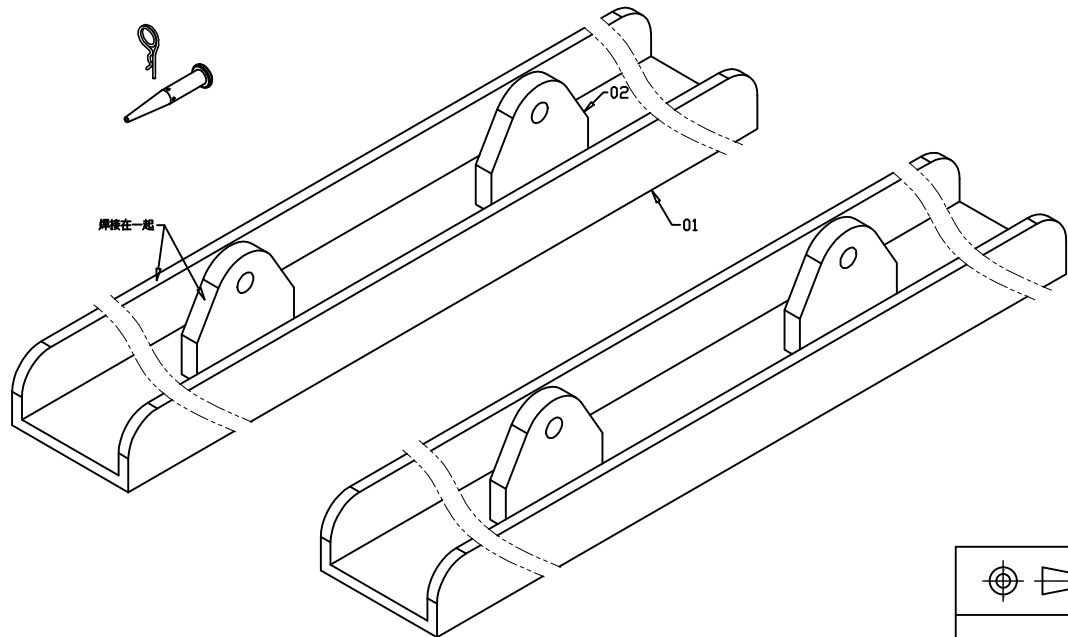
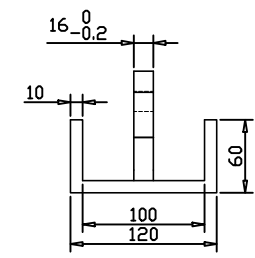
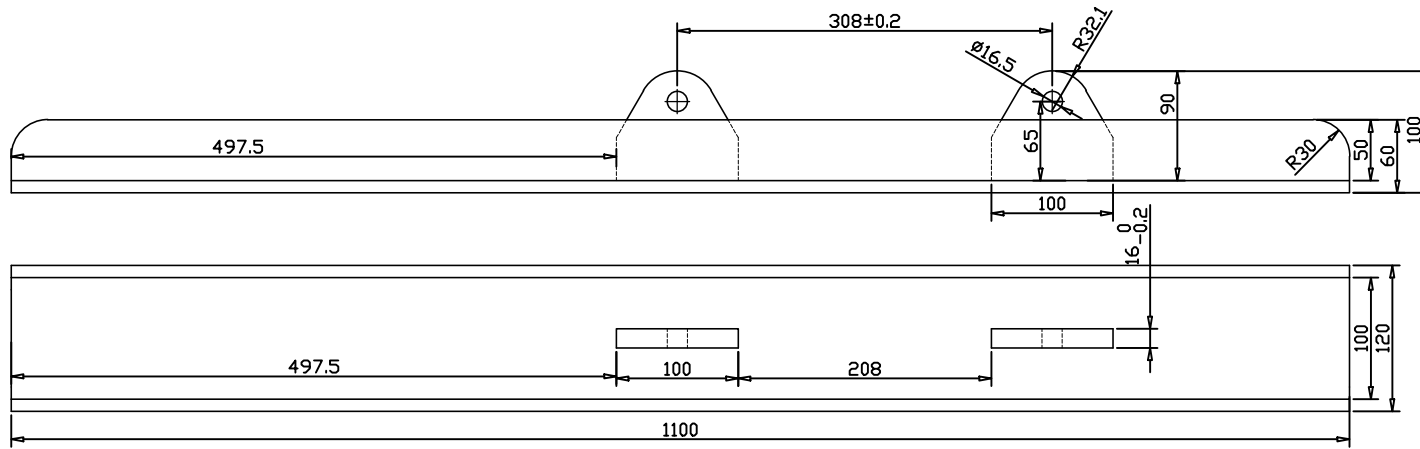
AO

AP

AQ

AR

AS



	R3		ZP	4
	PCX06062A	42CrMo	ZP	4
02	PJ-LB313	#6061	T6	4
01	120*60*10t*1100mm	#6061	T6	2
NO.	SPEC.	MATERIAL	F.IN.	QTY.

	DRAWN	***	DRAW NO	QLJJ89E	2D/3D	edition	1	
	Specification	***	DESIGN	LLQ	DATE	25.7.29	CHECKED	APPROVED
	Weight	**kgs/pcs	UNITS	mm	Proofread			
	SURFACE	BLACK	SCALE	1:3				

MARK	NAME	RETRIEVE CONTENTS	DATE

