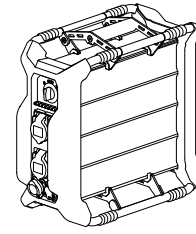


GO 36 LV

Technical Specifications

Version 1.3 (Dec. 2025)



Our portable battery power supply was designed specifically for professional applications, providing a power socket without constraints wherever it is required. Lightweight, robust, powerful, and flexible. The new standard for mobile work.

- No noise, no fumes. Fanless design and no exhaust emissions
- Truly portable, single-handed mobility (21 kg)
- Gridlike performance, delivering 3.6 kW rated output and 18 kW peak power



Receptacle-Type:

2x CEE 3p 4h 16 A

Product Description:

GO 36 LV | Type CEE | 110V | 16A | IP54

Art.Nr.: 901-00008

EAN/GTIN: 4260710090029

Parameter	Value
Mode of operation: Discharging	
Output voltage	110 V AC / 50 Hz
Rated output power	3,600 W (2 x 16 A)
150% overload / 5,400 W (49.0 A)	up to 450.0 seconds
200% overload / 7,200 W (65.0 A)	up to 60.0 seconds
250% overload / 9,000 W (82.0 A)	up to 16.0 seconds
300% overload / 10,800 W (98.0 A)	up to 6.5 seconds
Peak Power	18,000 W
Circuit breaker	32 A eFuse (tripping characteristic C) and one 16 A thermal breaker per CEE receptacle
Ambient temperature	-20 °C to 60 °C
Mode of operation: Charging	
Input voltage	100 - 240 V AC / 50 - 60 Hz
Rated input current	6 A
Rated input power	600 - 1,440 W
Charge time / 0 to 80% (240 V AC)	below 1.5h (at room temperature 25 °C)
Charge time / 0 to 100% (240 V AC)	below 2.0h (at room temperature 25 °C)
Ambient temperature	0 °C to 45 °C
General information	
Nominal battery capacity	2,074 Wh (24 packs / 86.4 Wh each)
Weight	21 kg
Dimensions	458 x 210 x 420 mm
IP Class	IP54
Protection class	Class II / double-insulated
Noise emission	below 30 dB(A) / whisper-quiet (fanless)
Receptacles	
Output receptacle (120 V AC)	2x CEE 3p 4h 16 A
Output receptacle (120 V AC)	Instagrid Accessories Outlet (e.g. with adapter to CEE 3p 4h 32 A)
Input receptacle	Neutrik powerCON® TRUE1 TOP

GO 36 LV

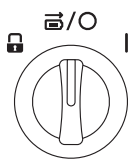
Quickguide

Operation



[ON]

- All **output** receptacle are **active**.
- Input receptacle is inactive



[Standby / Charging]

- **Input** receptacle is **active**
- Output receptacles are **inactive**



[OFF / Transport]

- All **receptacle** (inputs and outputs) are **inactive**
- Shipment is permitted (transport regulation UN 3480 must be observed)

Handling



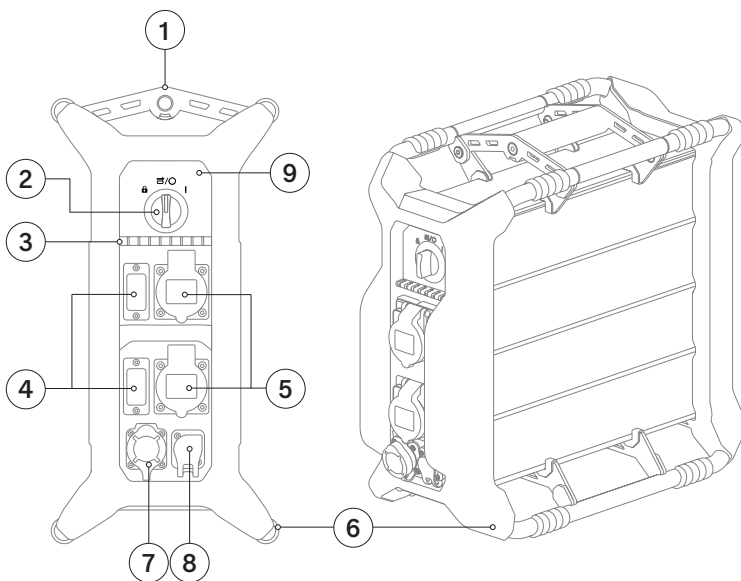
[Charging]

- Connect charging cable
- 0 – 80% in under 1.5 hours (240 V AC)
- 0 – 100% in under 2.0 hours (240 V AC)

[Storage / Transport]

- Switch Instagrid GO 36 LV into transport mode for storage

Overview



- 1 Carrying handle
- 2 Rotary switch
- 3 LED display
- 4 Thermal breaker (16 A)
- 5 Output receptacle
- 6 Frame
- 7 Instagrid Accessories Outlet
- 8 AC - input receptacle powerCON® TRUE1 TOP
- 9 Front cap

