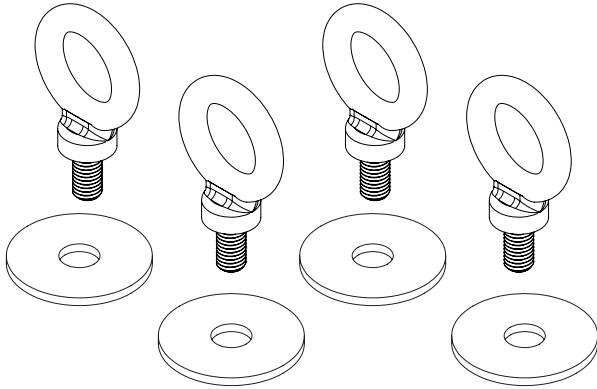




# EBK4 M10-20

Eyebolt Kit, M10 x 20 mm, 4X

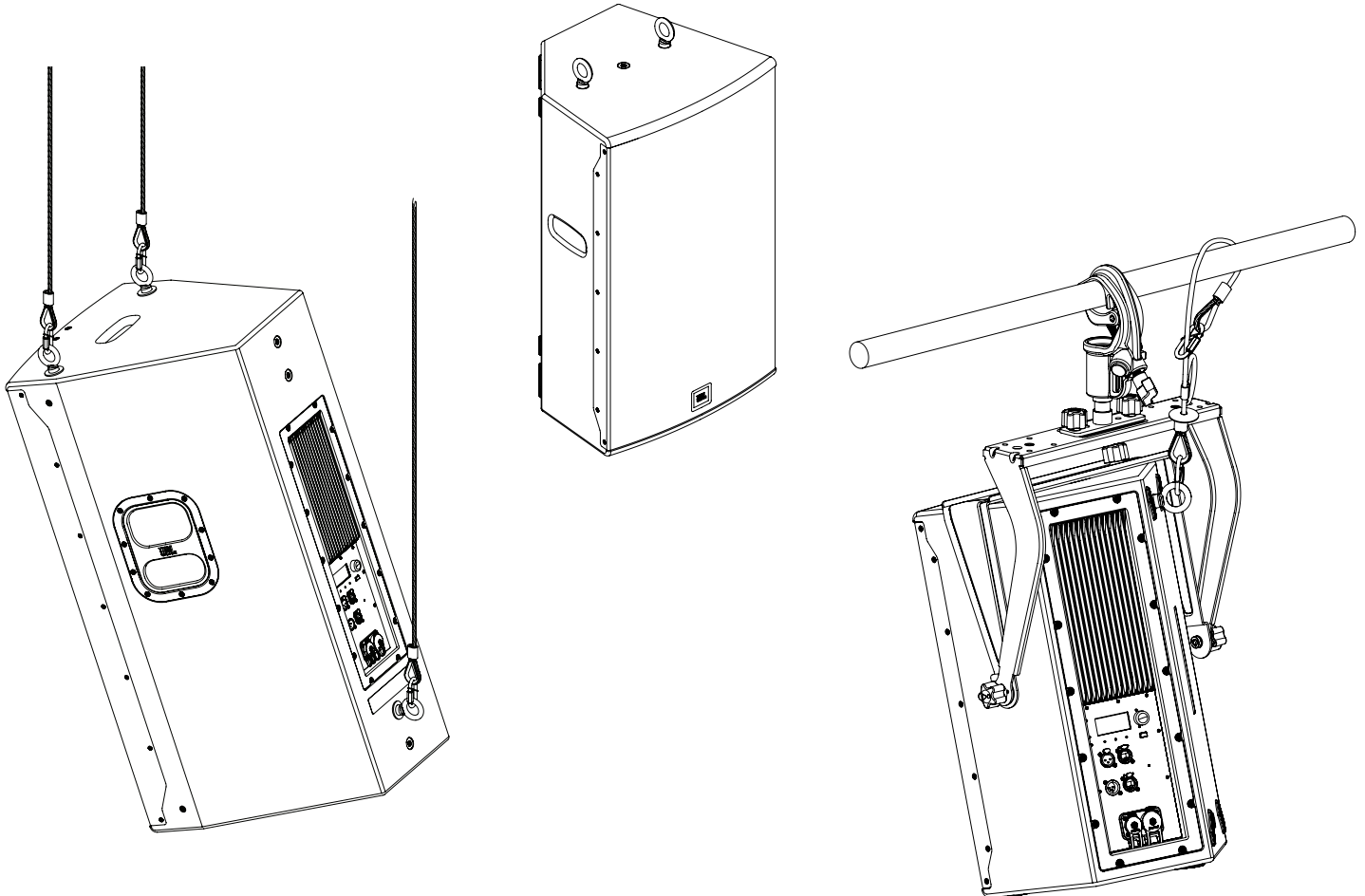


## HIGHLIGHTS

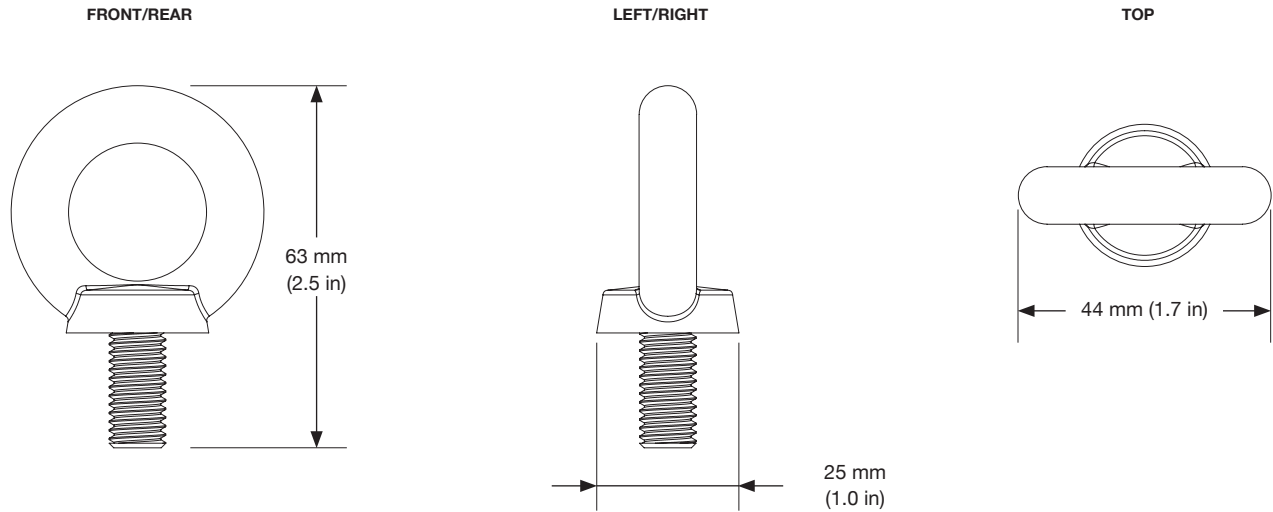
- Universal eyebolt kit
- Compatible with QuickLink™ fitted products
- Threads: M10
- Shank length: 20 mm
- Includes (4) eyebolts and (4) washers

## DESCRIPTION

The EBK4 M10-20 eyebolt kit includes four M10 x 20 mm shoulder steel eyebolts for suspension installation of select JBL speakers. The M10 x 20 mm eyebolts are designed to work with JBL products fitted with QuickLink™ M10 attachment points. Four load spreading washers for use with wooden and plastic enclosures are included. The eyebolts are Manufactured to ASME-ANSI B18.15 standard with DIN580 specifications.



**DIMENSIONS**



**TECHNICAL SPECIFICATIONS**

**PHYSICAL**

**Construction**

**Eye bolt :** Forged carbon steel  
**Washer :** Stainless steel

**Thread Type :** M10 x 1.5

**Shank Length :** 20 mm

**Eyelet Opening :** 24 mm (1 in)

**Working Load Limit (WLL)<sup>1</sup> :** 0° = 230 kg (507 lbs) | 45° = 170 kg (334 lbs) | 90° = 115 kg (253 lbs)

**Safety Factor :** (10:1)

**Dimensions (H x W x D) :** 63 mm x 44 mm x 25 mm  
 (2.5 in x 1.7 in x 1.0 in)

**Net Weight<sup>2</sup> :** 0.4 kg (1.0 lbs)  
**Shipping Weight :** 0.5 kg (1.1 lbs)

**ORDERING INFORMATION**

**SKU :** JBL-P3417MX | EBK4 M10-20

**Included :** (4) M10 Eyebolts | (4) Washers

**Footnotes:**

1: Eyebolts have different Working Load Limits (WLL) depending on the suspension angle. Never exceed the rated Working Load Limit. Loads are specified per eyebolt. Refer to the EBK4 M10-20 Quick Start Guide for additional information on safety factors, Working Load Limits, and loading conditions.  
 2: Weight is for a complete kit, including (4) eyebolts and (4) washers

JBL continually engages in research related to product improvement. Some materials, production methods, and design refinements are introduced into existing products without notice as a routine expression of that philosophy. For this reason, any current JBL product may differ in some respect from its published description, but will always equal or exceed the original design specifications unless otherwise stated.