

## Operation

To enter the setting mode, press and hold the antenna setting key ② for 2 seconds until the input channel's status indicator ⑦ flashes. Use the Antenna setting key to cycle through the 3 settings menus as indicated by the Function Selection Indicator ⑥. Use the Up/Down keys ③ to change the parameters in each settings mode. After setting your parameters in the third setting mode(RF Input), press the Antenna Setting Key ② a final time to save and exit the settings.

Parameter setting:

### ▶ RF input attenuation

Press the up / down key ③ to adjust the attenuation with interval of 1dB.

0dB: no attenuation

-31dB: attenuation of 31dB



### ▶ Antenna power supply

On: Provide + 12Vdc / 200mA to antenna inputs for active antenna or antenna booster.

OFF: OFF



### ▶ RF Input

En: Input Enable (Enable)

dis: input disabled (Disable); signal isolation: about 80dB



### ▶ Default setting

1. Turn off the power
2. Press and hold the lock key
3. Turn on the power until the display show rSt



## Precautions

- This product is used as the antenna integrator of the receiver, which is not recommended to be used with a transmitter.
- For the coaxial cable with antenna and UC-900RX, standard 50Ω coaxial cable must be used.
- When the antenna is connected to the unit with the coaxial cable, it is recommended to use Booster to compensate for cable loss or use 5D-FB coaxial cable.
- It is not advisable to place the antenna in the same space or where there are too many reflecting planes as they cause multipath interference of the signal and affect the reception quality.
- When the antenna input signal is too large, it may cause distortion of the unit or receiver signal. If this is the case, try adjusting the antenna input attenuation.
- When the power supply is abnormal, the panel light will flash and the machine will force to shut down all the corresponding functions. Please turn off the power switch immediately.

Caution : To reduce the risk of fire or shock hazard, do not expose this appliance to heat or moisture.

Warning : To prevent electric shock, do not remove the cover. Refer all servicing to qualified service personnel or distributors.

1. Read this instruction manual before using.
2. Keep this instruction manual.
3. Use the device in a well ventilated area. Do not block any ventilation openings.
4. Do not install the device near heat sources, Ex : Oven, furnaces or any other apparatus that produce heat to prevent fire.
5. Do not place the device in humid or dusty environment to prevent short circuit.
6. Choose proper place to place the device to avoid product failure or personal injury caused by accidental drops.
7. Do not use the device under lightning to avoid personal injury or equipment damage caused by strikes.
8. Stop using and turn off the power when encounter abnormal situation. Contact qualified service personnel or distributors.
  - > Machine has smoke or burning smell
  - > Water or any liquid has been spilled
9. Keep the machine outlet or plug clean. Dust gathering may result in bad connection or electric fire.
10. Pay attention to the cable usage
  - > Hold the plug when unplugging. Breaking the wire may result in electric fire.
  - > Do not cut or twist the wire. Place the wire in a well ventilated area without inflammable objects.

## Instruction Manual

The UC-900RX is designed for receivers. It provides 2 x 4 antenna inputs to minimize RF dead zone on a stage or any venue. It also features RF input ON/OFF, input attenuation from -31 to 0 dB and input signal ON/OFF control. The UC-900RX makes RF engineers' job easy.

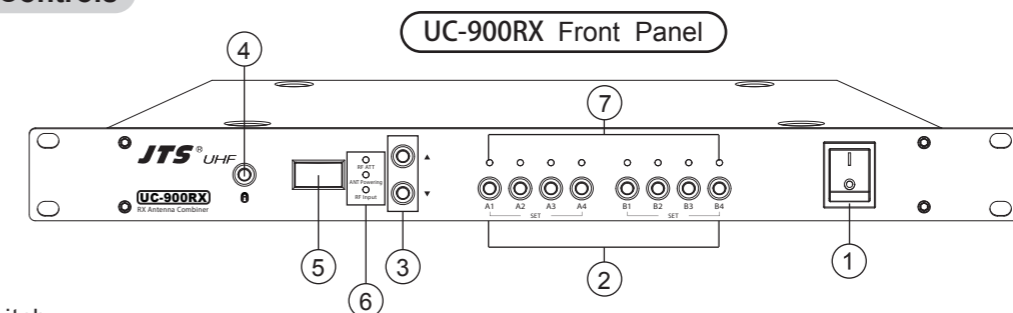
### Accessories

- AC Power Cable x1
- BNC to BNC coaxial Cable x2

### Specifications

- Carrier Frequency Range: 470~960MHz
- Full System Gain: 3dB(±3dB)
- Input/Output Impedance: 50 Ω
- A/B Antenna Input:4+4
- OIP3: 35dBm(typ.) @ 2-tone ; Pi=-15dBm/100Hz
- RF Input Attenuation: -31~0dB (Step:1dB)
- Input/Output Connectors: BNC(F):Input x8 / Output x2
- Functions:
  1. Antenna Booster Powering ON/OFF Control
  2. RF Input Attenuation Control
  3. RF input Signal ON/OFF Control
- Antenna Booster Power: 12V/200mA\*8
- Power Supply: 100~240VAC; MAX 2A 50/60Hz
- Dimension(mm): 480mm(W)\*45mm(H)\*260mm(D)

### Operating Controls

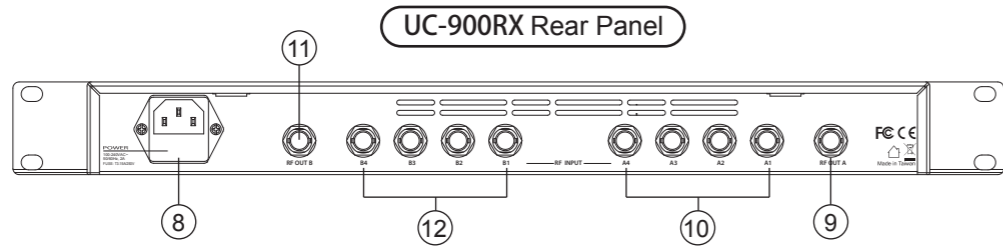


- ① Power switch
- ② Antenna setting key: Select the CH to be set, press and hold for 2 seconds to enter the setting mode.
- ③ Up / Down key: In the setting mode, press the up / down key to select the parameter.
- ④ Key lock: long press 2 seconds to lock or unlock the panel key function.
- ⑤ 3-digit seven-segment display: Displays the current setting.
- ⑥ Function selection indicator: In the setup mode, the indicator flashes in this order: RF input attenuation, antenna Booster power on / off, RF input enable / disable.
- ⑦ Status indicator: Indicates the current antenna status,
  - a. Red: RF input enabled and antenna booster power on.
  - b. Green: RF input enabled and antenna booster power off.
  - c. Off: The antenna input is disabled.
  - d. All 8 channels flashing at the same time: Power supply is abnormal. Please shut down immediately.



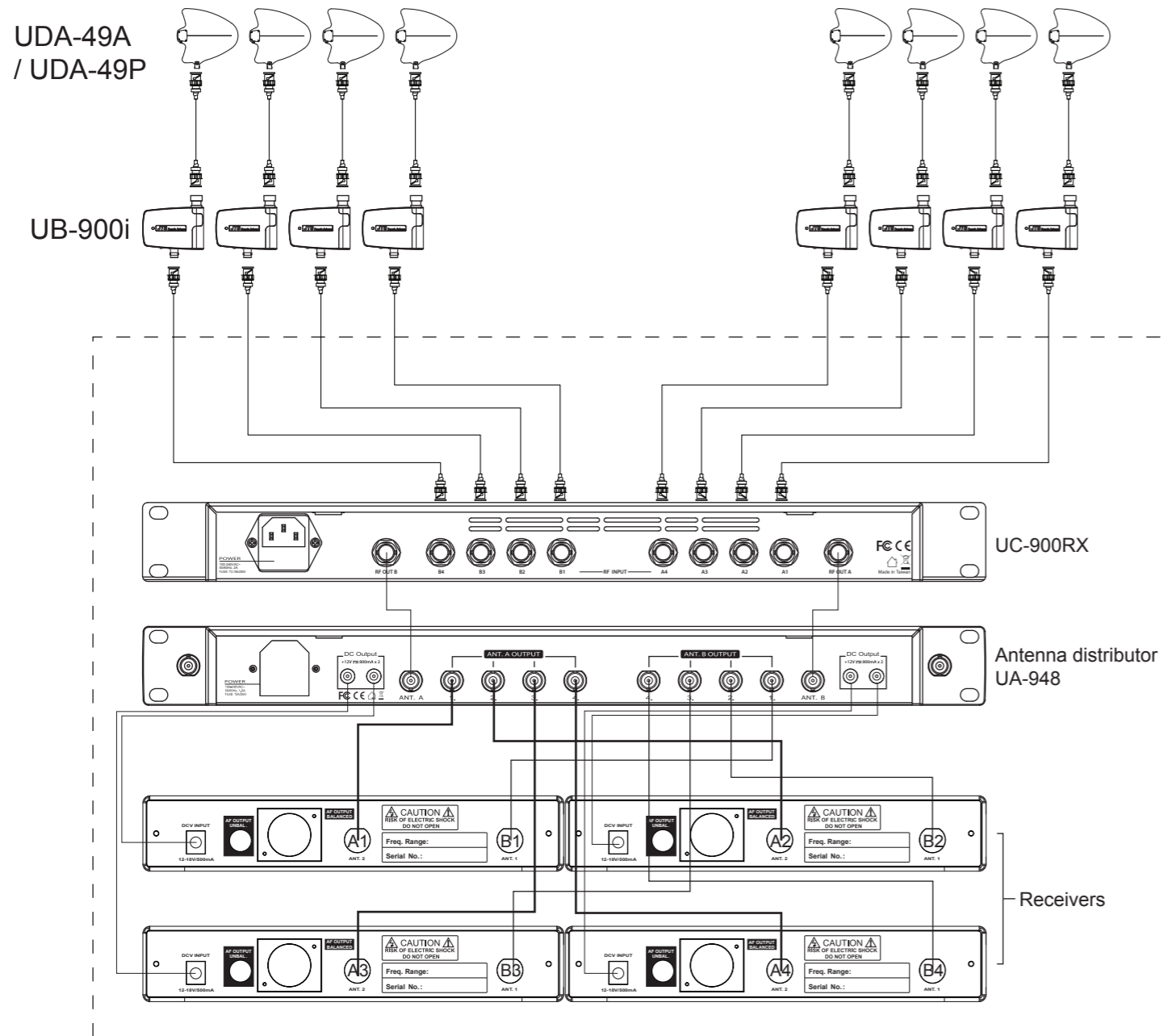
**JTS** PROFESSIONAL CO., LTD.  
No. 148, 9th Industry Road, Ta-Li Industrial Park,  
Taichung City, Taiwan, R.O.C.  
Tel: 886-4-24938803 Fax: 886-4-24914890  
E-mail: jts@jts.com.tw  
www.jts.com.tw





- ⑧ AC power supply: AC power input: 100 ~ 240VAC, MAX 2A, 50 / 60Hz.
- ⑨ Antenna A output
- ⑩ Antenna A inputs
- ⑪ Antenna B output
- ⑫ Antenna B inputs

### UC-900RX Antenna Configuration

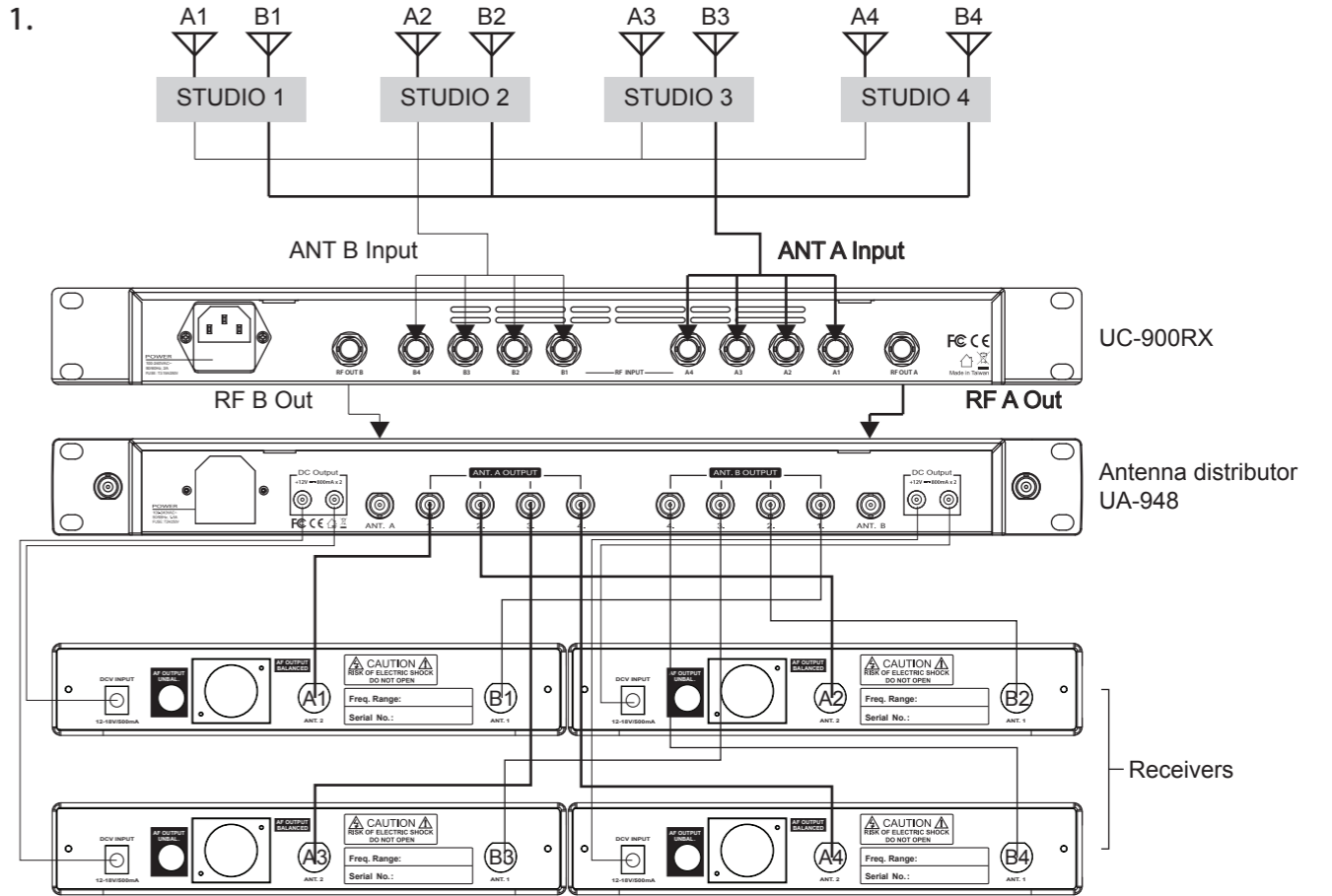


### Installation

- Connect the antenna through the coaxial cable to the antenna input. If the cable length is long, add the antenna booster or use active antenna.
- Connect the antenna A / B output to the receiver or antenna distributor with coaxial cables.
- When the installation is complete, turn on the power. Depending on the situation, the user can set the relevant parameters according to the operating instructions.
- When not in use, turn off the UC-900RX power.

### Application

EX 1.



EX 2.

