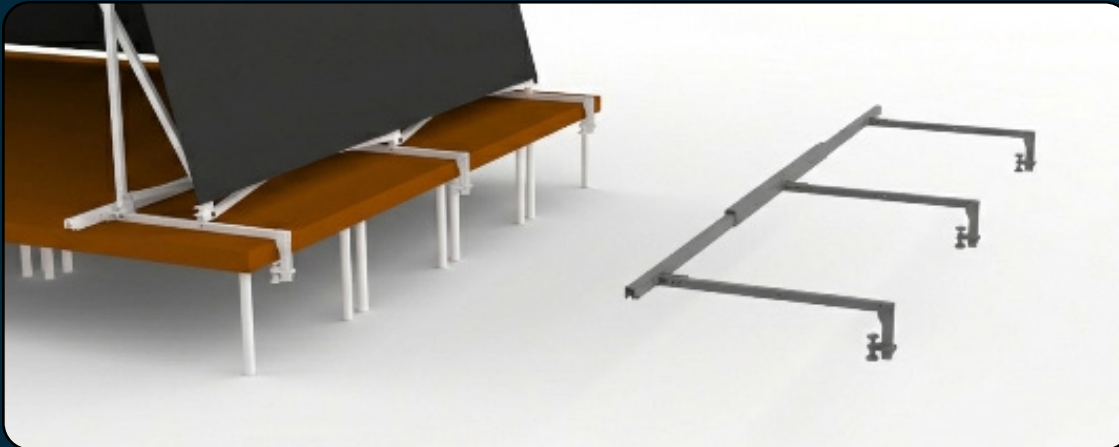
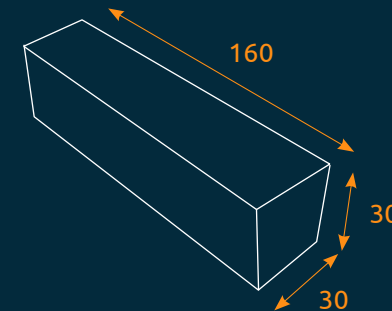


Podium Connection. Product sheet

 Made in Belgium



Storage size (cm)



Characteristics



Weight of the accessory : 70kg



Up to:

60km/h with backdrop

80km/h without backdrop



Setup in 10min

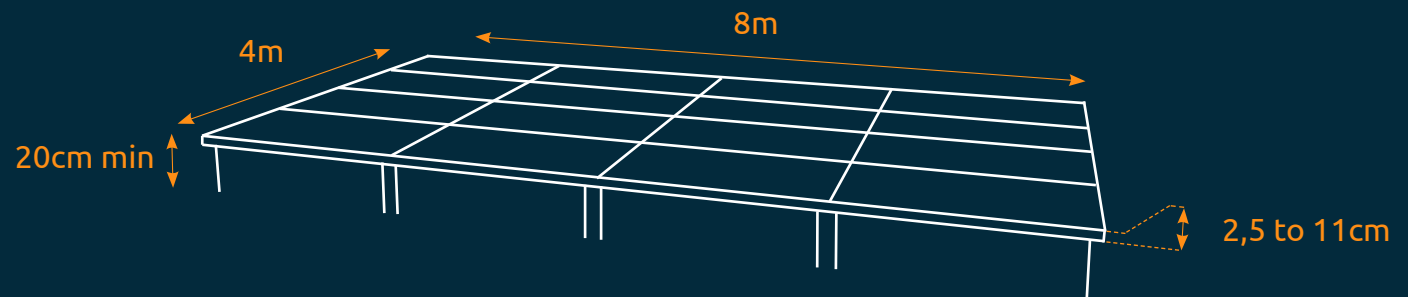


Reduction of necessary ballast:
Deduct 70kg and the weight of
8 decks



Stainless steel tubes

Compatible podiums



Minimal capacity of 500kg/m²

Must be assembled as above (4x4 decks)