

elumen8
MR350 IP65
DMX Heavy Duty
Mirror Ball Rotator
up to 2m, 350kg WLL
User Manual



Order code: MIRR23

WARNING**FOR YOUR OWN SAFETY, PLEASE READ THIS USER MANUAL CAREFULLY BEFORE YOUR INITIAL START-UP!**

- Before your initial start-up, please make sure that there is no damage caused during transportation.
- Should there be any damage, consult your dealer and do not use the equipment.
- To maintain the equipment in good working condition and to ensure safe operation, it is necessary for the user to follow the safety instructions and warning notes written in this manual.
- Please note that damages caused by user modifications to this equipment are not subject to warranty.

**IMPORTANT:**

The manufacturer will not accept liability for any resulting damages caused by the non-observance of this manual or any unauthorised modification to the equipment.

- Never let the power cable come into contact with other cables. Handle the power cable and all mains voltage connections with particular caution!
- Never remove warning or informative labels from the unit.
- Do not open the equipment and do not modify the unit.
- Do not connect this equipment to a dimmer pack.
- Do not switch the equipment on and off in short intervals, as this will reduce the system's life.
- Only use the equipment indoors.
- Do not expose to flammable sources, liquids or gases.
- Always disconnect the power from the mains when equipment is not in use or before cleaning! Only handle the power-cable by the plug. Never pull out the plug by pulling the power-cable.
- Make sure that the available voltage is 100-240V~50/60Hz.
- Make sure that the power cable is never crimped or damaged. Check the equipment and the power cable periodically.
- If the equipment is dropped or damaged, disconnect the mains power supply immediately and have a qualified engineer inspect the equipment before operating again.
- If the equipment has been exposed to drastic temperature fluctuation (e.g. after transportation), do not connect power or switch it on immediately. The arising condensation might damage the equipment. Leave the equipment switched off until it has reached room temperature.
- If your product fails to function correctly, stop use immediately. Pack the unit securely (preferably in the original packing material), and return it to your Pro Light dealer for service.
- Only use fuses of same type and rating.
- Repairs, servicing and power connection must only be carried out by a qualified technician. **THIS UNIT CONTAINS NO USER SERVICEABLE PARTS.**
- **WARRANTY:** Two years from date of purchase.

OPERATING DETERMINATIONS

If this equipment is operated in any other way, than those described in this manual, the product may suffer damage and the warranty becomes void. Incorrect operation may lead to danger e.g: short-circuit, burns and electric shocks etc.

Do not endanger your own safety and the safety of others!

Incorrect installation or use can cause serious damage to people and/or property.

This device is a mirror ball motor for turning mirror balls. The maximum load of the installation eyelet must never be exceeded. The safety eyelet must never be used for loads.

When choosing the installation-spot, please make sure that the device is not exposed to extreme heat, moisture or dust. There should not be any cables lying around. You endanger your own and the safety of others!

This device must never be operated or stockpiled in surroundings where water, rain, moisture or fog may harm the device. Moisture or very high humidity can reduce the electrical insulation and lead to mortal electrical shocks.

The ambient temperature must always be between -5 °C and +45 °C. Keep away from direct insulation (particularly in cars) and heaters. The relative humidity must not exceed 50% with an ambient temperature of 45 °C. Never use the device during thunderstorms. Over voltage could destroy the device. Always disconnect the device during thunderstorms.

Make sure that the area below the installation place is blocked when rigging, derigging or servicing the fixture.

PLEASE READ THE BELOW CAREFULLY BEFORE USING THE FIXTURE IN OUTDOOR/EXTREME ENVIRONMENTS



IP Rating:

The IP (International Protection) rating classifies and rates the degree of protection provided against intrusion of foreign objects such as dust and water into housings and electrical enclosures.

The rating consists of the letters IP followed by two digits (i.e. IP65) where the numbers define the level of protection. The first digit (solids) stands for the level of protection the enclosure provides against solid bodies, whilst the second digit (liquids) stands for the degree of protection of the equipment inside the enclosure against water.

An IP65 rated fixture is one which has been designed and tested to protect fully from dust ingress (6) and water jets from any direction (5).



Marine/Coastal Installations:

Although this fixture has an IP rating it is NOT suitable for installation in a coastal/marine environment. Installing this fixture in a coastal/marine environment could cause corrosion and excessive wear to the internal and/or external components. Any damages, faults or performance issues resulting from the installation in one of the environments listed above will void the manufacturers warranty and will NOT be subject to any warranty claims, parts or repairs.



IMPORTANT INFORMATION!

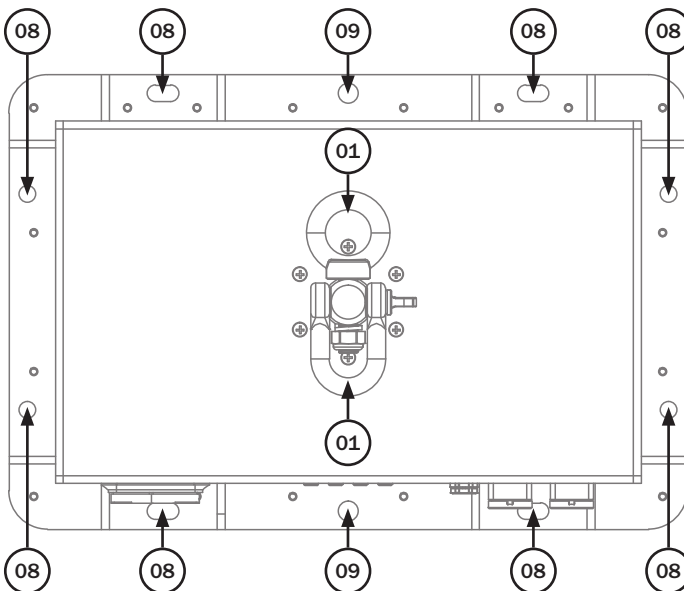
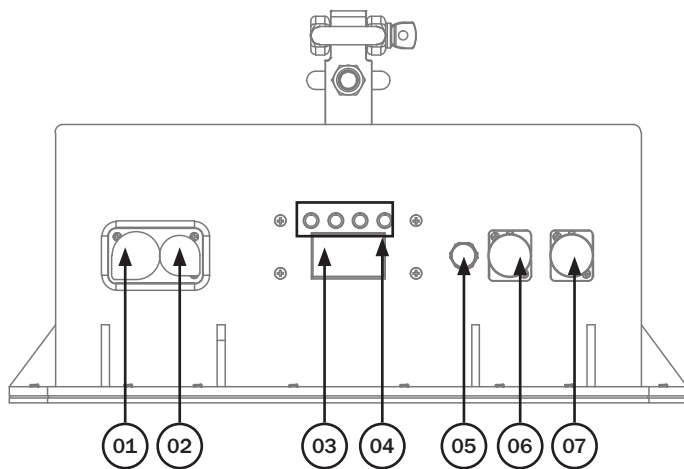
If this fixture is installed in extreme outdoor and/or wet conditions, it **MUST** be powered ON and operated for a minimum of 30 minutes every 1-2 weeks. Excessive usage in extreme outdoor and/or wet conditions without a consistent usage cycle as described above can lead to component damage and/or a reduced fixture lifetime. Any damage to the fixture found to be a direct result of not following the above guidelines will void the manufacturers warranty and will NOT be subject to any warranty claims, parts or repairs.

Please **ENSURE** all connections are sealed with the rubber caps if provided and the correct cables are used and connected correctly to prevent dust and/or water ingress, condensation and/or corrosion.

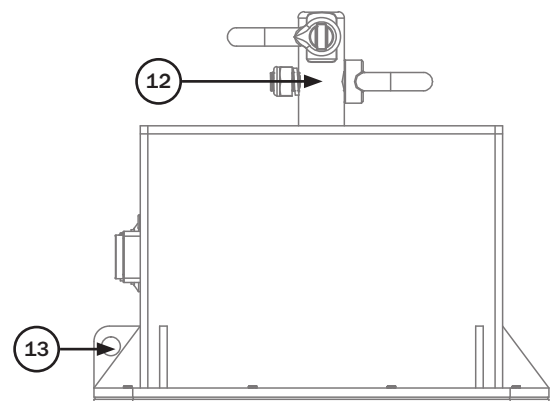
MR350 IP65 DMX Heavy Duty Mirror Ball Rotator up to 2m, 350kg WLL

Designed for the event and rental sector, this heavy duty DMX controllable mirror ball rotator is built into a rugged stainless steel chassis and is suitable for use with mirror balls up to 2m.

- Integral safety bond points for both ball and chassis
- Stand alone operation via onboard menu
- Heavy duty 0-5.85 RPM motor, adjustable via the menu or DMX
- DMX Channels: 2
- 4 button menu with OLED display
- PowerTwist TR1 input/output
- IP rated 5-Pin XLR input/output

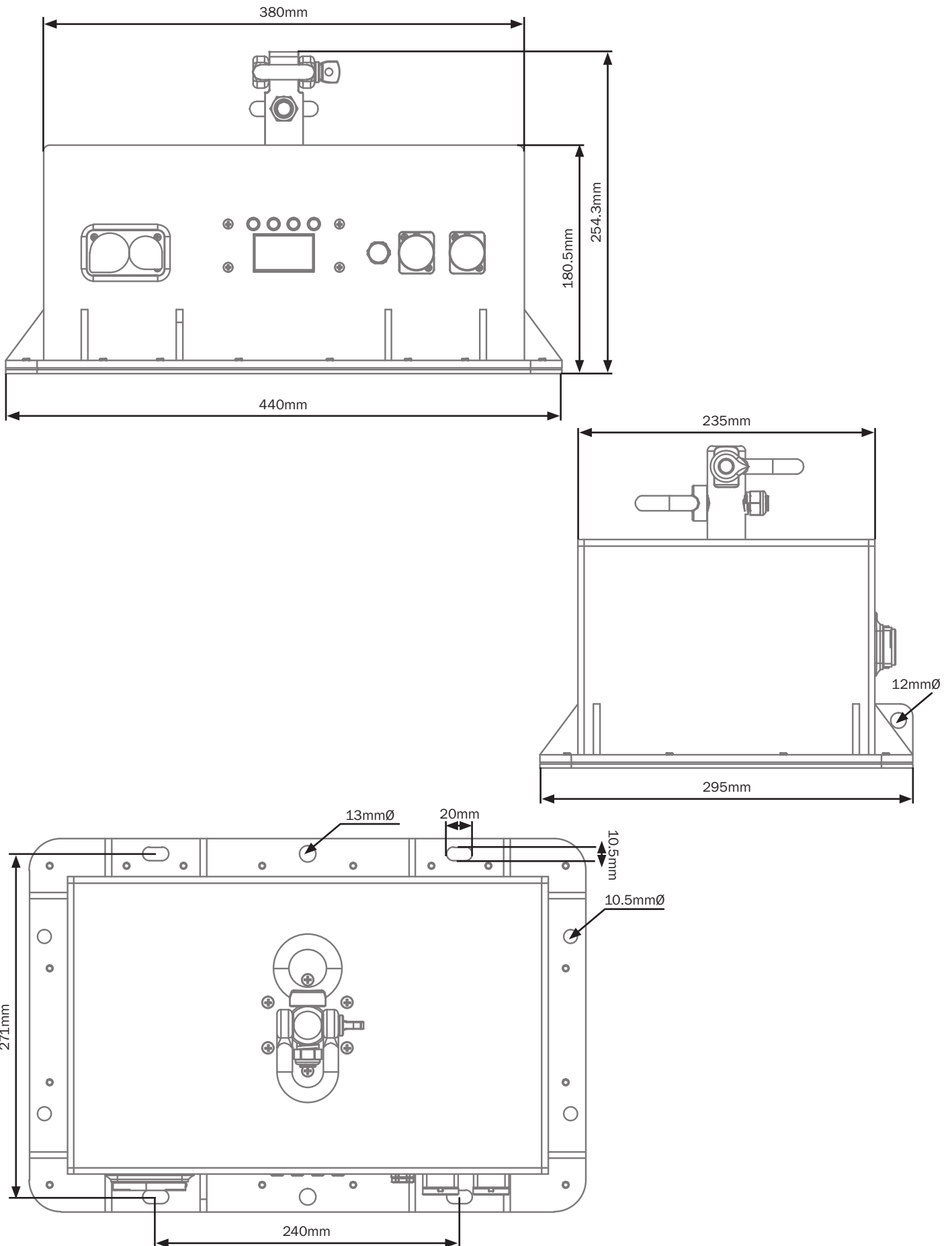


Specifications	
Power supply	100~240V, 50/60Hz
Power consumption	43W
WLL	350kg
Max. diameter of mirror ball	200cm
Rotation speed	up to 5.85 RPM
Dimensions	298 x 438 x 292mm
Weight	29.5kg
Order code	MIRR23



- | | | |
|----------------------------|--------------------------------------|--------------------------------|
| 01 - PowerTwist TR1 output | 06 - 5-Pin DMX output | |
| 02 - PowerTwist TR1 input | 07 - 5-Pin DMX input | |
| 03 - OLED display | 08 - 10.5mm mounting points | 11 - Mirror ball safety eyelet |
| 04 - Function buttons | 09 - 13mm mounting points | 12 - Motor shaft |
| 05 - Air valve | 10 - Mirror ball installation eyelet | 13 - Motor safety eye |

In the box:
**1 x rotator &
 1 x power cable**



**DANGER TO LIFE!**

PLEASE CONSIDER EN 60598-2-17 AND THE RESPECTIVE NATIONAL REGULATIONS DURING THE INSTALLATION. THE INSTALLATION MUST ONLY BE CARRIED OUT BY A COMPETENT AND QUALIFIED INSTALLER!

The motor must be installed in an absolutely horizontal position in a vibration-free, oscillation-free and fire-resistant location

If the motor and the mirror ball are to be operated above persons, additional risks arise. A hazard analysis based on the location and application must be performed. Both the motor and mirror ball must meet the safety regulations regarding safety and operation.

The installation point of the mirror ball has to be built and constructed in a way that it can hold 10 times the weight of the mirror ball for one hour without any deformation.

The unit must always be secured with a secondary safety attachment. This secondary attachment must be constructed in a way that no part of the unit can fall if the main attachment fails.

When rigging, derigging or servicing the unit, no persons should be in the area below/above the installation, or in other areas which may be a hazard.

The operator has to make sure that safety relating and machine technical installations are approved by a competent, qualified expert before starting operation for the first time and before starting operation if changes have been made to the installation.

Attachment:

The rotary motor should ideally be installed away from areas where persons may walk by or be seated under.

IMPORTANT! OVERHEAD RIGGING REQUIRES EXTENSIVE EXPERIENCE, including (but not limited to) calculation of work load limits, installation materials being used, and periodic safety inspections of all installation materials and the mirror ball. If you lack these qualifications, do not attempt the installation yourself, but instead use a professional structural rigger. Improper installation can result in bodily injury and/or damage to property.

The motor and mirror ball have to be installed out of the reach of people.

If the motor is to be lowered from the ceiling or high joists a professional rigging system must be used. The motor must never be fixed swinging freely.

The motor must always be installed via all fixing holes. Only use appropriate screws and make sure screws are properly attached to the material point.

The durability of the installation depends very much on the material used at the installation area (building materials) such as wood, concrete, brick etc. Always ask a specialist for the correct plug/screw combination by specifying the maximum load and the building material.

The fittings used for installation must never include abrading material eg steel cables in order to avoid wear through abrasion.

The length of the chain must never exceed 100cm.

Install the mirror ball chain with the screw-on chain link at the installation eyelet of the mirror ball and tighten with the fixing screw.

Insert the fourth chain link of the mirror ball chain with the mirror ball in the screw-on chain link and tighten the fixing screw.

For overhead use, always install a safety chain on the mirror ball that can hold at least 12 times the weight of the complete installation. The safety chain must always be slightly longer than the mirror ball chain so the safety chain will always be tension-free. Attach the safety chain to the safety eyelet on the mirror ball and then onto the safety eyelet on the motor.

The maximum drop distance for any safety device must never exceed 20cm.

A safety chain which has already taken the strain of a drop, or which is defective, must not be used again and must be replaced.

The mirror ball must never be hung from the safety eyelet. Loads must only be hung on the motor axle. If a mirror ball hangs for any reason from the safety eye, the motor must be taken out of operation immediately and the mirror ball must be uninstalled. The whole installation must be checked for any defects by a competent, qualified expert.

Make sure the rotation of the mirror ball is never slowed or stopped by decoration material etc.

Make sure that no side forces can impact on the installation.

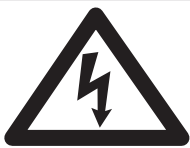
Please check at regular intervals, if the installation material or chain links have become deformed. Uninstall the mirror ball immediately in such a case.

Cleaning & maintenance:

The operator has to make sure that safety relating and machine technical installations are approved by a competent, qualified expert after every four years in the form of an acceptance test. The operator has to make sure that safety relating and machine technical installations are approved by a skilled person once a year.

The following points have to be considered during the inspection:

- 1 - All screws used for installing the motor or parts of the motor have to be tightly connected and must not be corroded.
- 2 - There must not be any deformities on housings, fixings and installation points (ceilings, trussing).
- 3 - Mechanically moving parts like axles and safety eyes must not show any traces of wearing (e.g. material abrading or damages) and must not rotate with any unbalance.
- 4 - The electric power supply cables must not show any damage or, material fatigue. Further instructions depending on the installation point and usage have to be adhered to by a skilled installer.



DANGER TO LIFE!
DISCONNECT FROM MAINS BEFORE STARTING MAINTENANCE OPERATION.

We recommend frequent cleaning of the motor. Please use a soft lint-free and moistened cloth. Never use alcohol or solvents! There are no serviceable parts inside this motor. Maintenance and service operations are only to be carried out by authorised dealers.

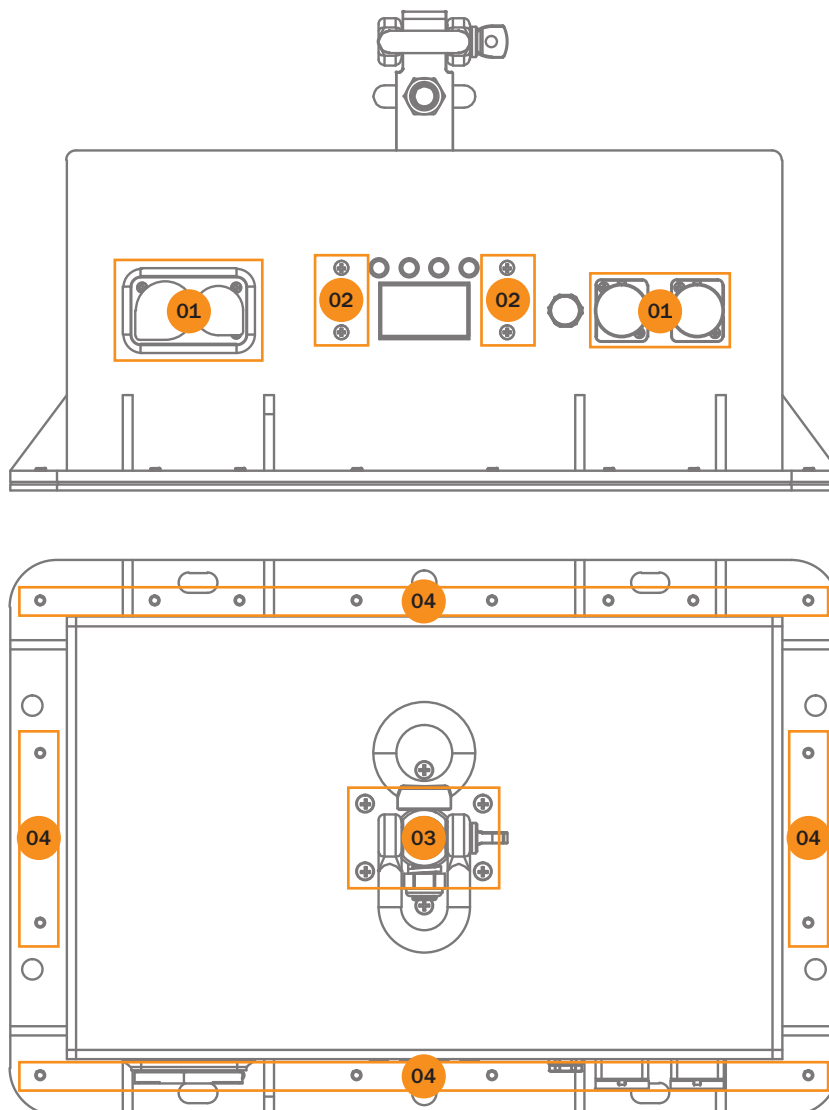
Should you need any spare parts, please use genuine parts. If the power supply cable of this unit is damaged, it has to be replaced by an authorised dealer only in order to avoid hazards. If defective, please dispose of the motor in accordance with current legal regulations. Should you have any further questions, please contact your dealer.

Torque settings:

All screws must be tightened with a torque driver. All screws are hex head screws. Please see below table and diagram on the following page for screw locations, quantities and torque settings.

Position	Part of Rotator (Number of Screws)	Torque (Size of Screw)
1	Power / DMX Inputs/Outputs (8)	0.3-0.6 Nm (Countersunk M3*12mm)
2	Display PCB (4)	0.5-0.8 Nm (Cross-head M4*12mm)
3	Bearing (6)	0.5-0.8 Nm (Countersunk M5*12mm)
4	Base Cover (20)	0.7-1.0 Nm (Countersunk M5*12mm)

Torque Drivers (recommended): UTICA TS-30 (shown below).



CAUTION!
DO NOT OVER TORQUE SCREWS AS THIS CAN CAUSE LEAKAGE ISSUES!
WE ALWAYS RECOMMEND TESTING THE IP INTEGRITY AFTER LAMP REPLACEMENT/OPENING THE HOUSING, USING THE ELUMEN8 IP TESTER.
CONTACT PROLIGHT SERVICE FOR MORE INFORMATION.

IP Testing Parameters					
Type Test	Target Value	Acceptable Change due to Leakage	Inflation / Deflation Time	Stabilisation Time	Test Time
Vacuum Test	-2.17 psi (-15 KPa)	0.03 psi (0.2 KPa)	40 seconds	20 seconds	20 seconds
Pressure Test	2.17 psi (15 KPa)	0.03 psi (0.2 KPa)	40 seconds	20 seconds	20 seconds

Elumen8 IP Tester
 sold separately
 (Order code: ELUM699)



DMX address:

To access the DMX address mode, press the **“MODE”** button to show **“DMX Address”** on the OLED display. Now press the **“SETUP”** button and use the **“UP”** and **“DOWN”** buttons to set the required DMX address. Press the **“SETUP”** button to confirm the setting.

2 channel mode:

Channel	Value	Function
CH1	000	No function
	001-120	Clockwise rotation, slow-fast (0-5.85rpm)
	121-135	No function
	136-255	Counter-clockwise rotation, slow-fast (0-5.85rpm)
CH2	000	No function
	001-020	Clockwise rotation (0.125rpm)
	021-040	Clockwise rotation (0.25rpm)
	041-060	Clockwise rotation (0.375rpm)
	061-080	Clockwise rotation (0.5rpm)
	081-100	Clockwise rotation (0.75rpm)
	101-120	Clockwise rotation (1rpm)
	121-135	No function
	136-155	Counter-clockwise rotation (0.125rpm)
	156-175	Counter-clockwise rotation (0.25rpm)
	176-195	Counter-clockwise rotation (0.375rpm)
	196-215	Counter-clockwise rotation (0.5rpm)
	216-235	Counter-clockwise rotation (0.75rpm)
	236-255	Counter-clockwise rotation (1rpm)

Manual rotation:

To access the manual rotation mode, press the **“MODE”** button to show **“MotorR”** on the OLED display. Now press the **“SETUP”** button and use the **“UP”** and **“DOWN”** buttons to set the required rotation speed between **“000~255”**. Press the **“SETUP”** button to confirm the setting.

Setting the DMX address:

The DMX mode enables the use of a universal DMX controller. Each fixture requires a “start address” from 1- 512. A fixture requiring one or more channels for control begins to read the data on the channel indicated by the start address. For example, a fixture that occupies or uses 7 channels of DMX and was addressed to start on DMX channel 100, would read data from channels: 100, 101, 102, 103, 104, 105 and 106. Choose a start address so that the channels used do not overlap. E.g. the next unit in the chain starts at 107.

DMX 512:

DMX (Digital Multiplex) is a universal protocol used as a form of communication between intelligent fixtures and controllers. A DMX controller sends DMX data instructions from the controller to the fixture. DMX data is sent as serial data that travels from fixture to fixture via the DATA “IN” and DATA “OUT” XLR terminals located on all DMX fixtures (most controllers only have a data “out” terminal).

DMX linking:

DMX is a language allowing all makes and models of different manufactures to be linked together and operate from a single controller, as long as all fixtures and the controller are DMX compliant. To ensure proper DMX data transmission, when using several DMX fixtures try to use the shortest cable path possible. The order in which fixtures are connected in a DMX line does not influence the DMX addressing. For example; a fixture assigned to a DMX address of 1 may be placed anywhere in a DMX line, at the beginning, at the end, or anywhere in the middle. When a fixture is assigned a DMX address of 1, the DMX controller knows to send DATA assigned to address 1 to that unit, no matter where it is located in the DMX chain.

DATA cable (DMX cable) requirements (for DMX operation):

This fixture can be controlled via DMX-512 protocol. The DMX address is set on the back of the unit. Your unit requires either a standard 3-pin or 5-pin XLR connector for data input/output, see images below.



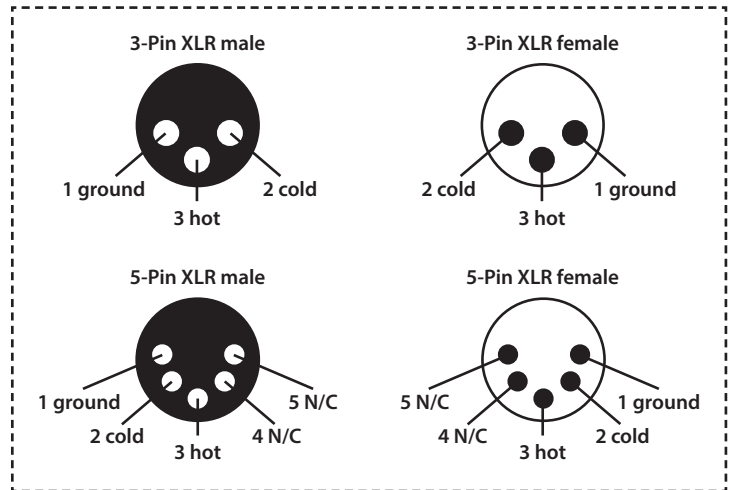
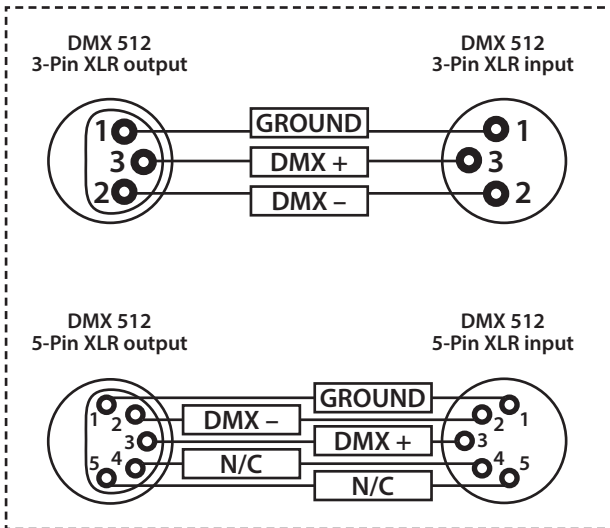
Further DMX cables can be purchased from all good sound and lighting suppliers or Prolight Concepts dealers.					
Please quote:	3-Pin:	CABL10 – 2m	CABL11 – 5m	CABL12 – 10m	
	5-Pin:	CABL185 – 2m	CABL187 – 5m	CABL188 – 10m	

Also remember that DMX cable must be daisy chained and cannot be split.

Notice:

Be sure to follow the diagrams below when making your own cables. Do not connect the cables shield conductor to the ground lug or allow the shield conductor to come in contact with the XLRs outer casing. Grounding the shield could cause a short circuit and erratic behaviour.

Pin Configuration	
3-Pin	5-Pin
	Pin 1 - Ground
	Pin 2 - Negative
	Pin 3 - Positive
-	Pin 4 - N/C
-	Pin 5 - N/C

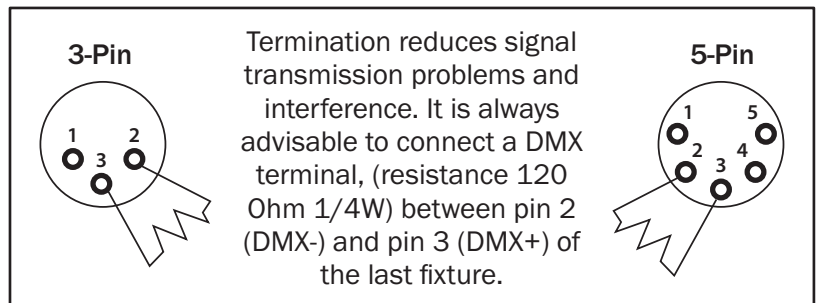


Line termination:

When longer runs of cable are used, you may need to use a terminator on the last unit to avoid erratic behaviour.

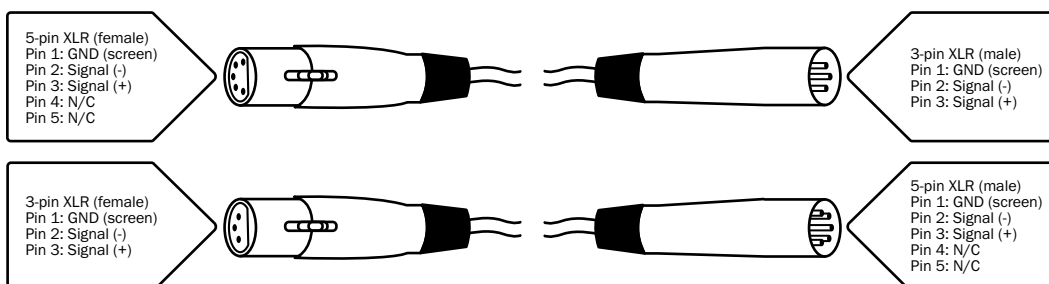
Using a cable terminator will decrease the possibilities of erratic behaviour.

(3-pin - Order ref: CABL90,
5-pin - Order ref: CABL89)



5-pin XLR DMX connectors:

Some manufactures use 5-pin XLR connectors for data transmission in place of 3-pin. 5-pin XLR fixtures may be implemented in a 3-pin XLR DMX line. When inserting standard 5-pin XLR connectors in to a 3-pin line a cable adaptor must be used. The diagram below details the correct cable conversion.





***Correct Disposal of this Product
(Waste Electrical & Electronic Equipment)***

(Applicable in the European Union and other European countries
with separate collection systems)

This marking shown on the product or its literature, indicates that it should not be disposed with other household wastes at the end of its working life. To prevent possible harm to the environment or human health from uncontrolled waste disposal, please separate this from other types of wastes and recycle it responsibly to promote the sustainable reuse of material resources.

Household users should contact either the retailer where they purchased this product, or their local government office, for details of where and how they can take this item for environmentally safe recycling.

Business users should contact their supplier and check the terms and conditions of the purchase contract. This product should not be mixed with other commercial wastes for disposal.

