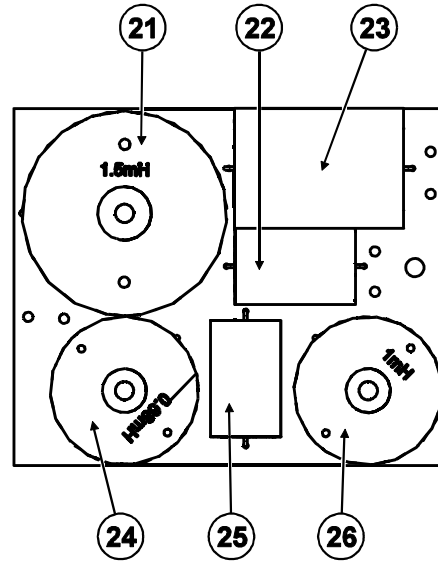
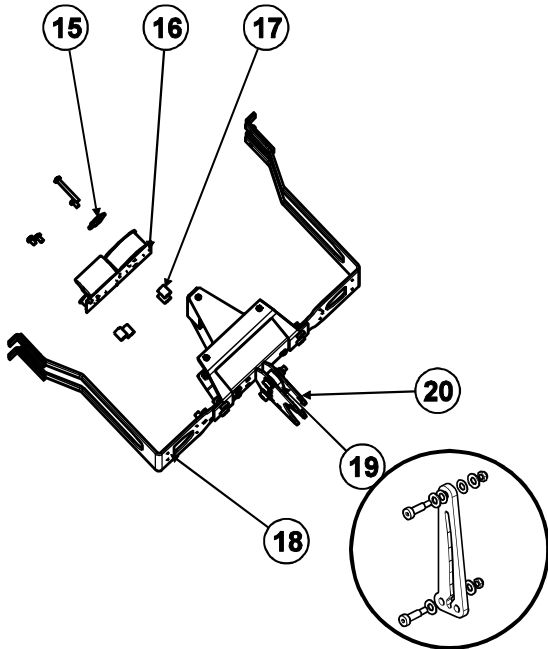
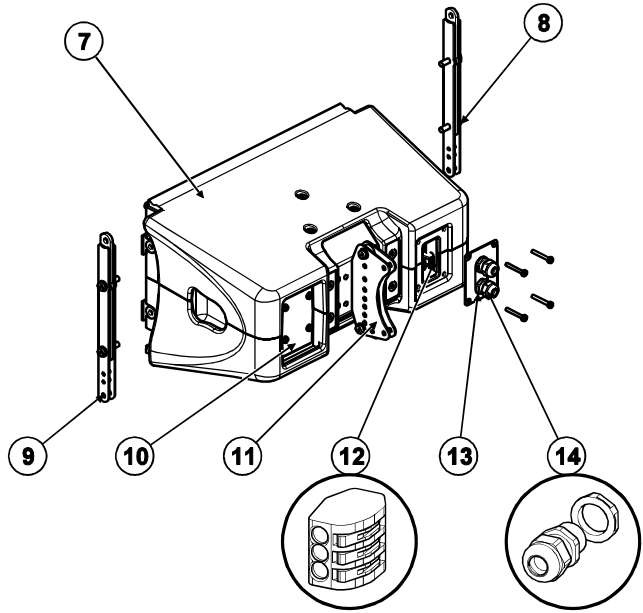
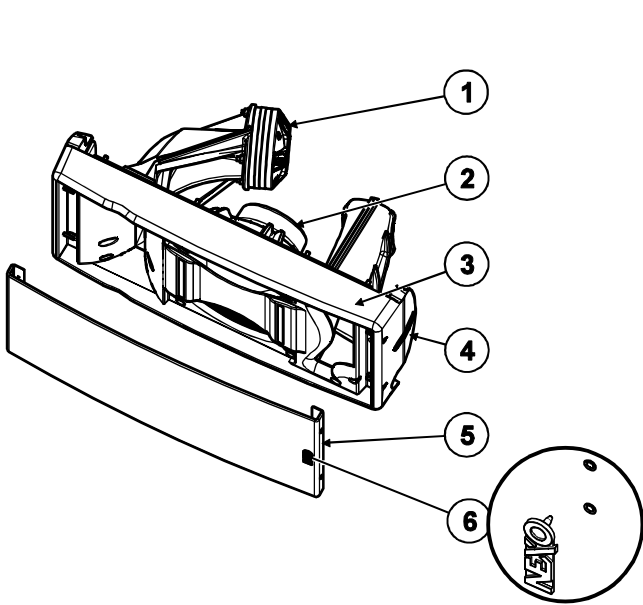


5.2 **GEO M10-I**



MARK	QUANTITY	PART NUMBER	DESIGNATION
1	1	05HPADE68-16	HF driver complete (with screws)
	1	05NH68-16R/K	HF Diaphragm
2	1	05HPB10N	10" Driver
	1	05HPB10NR/K	Recone kit HPB10N
3	1	05GEOM1012CAV-T	Front cabinet 1012 Black (with screws)
	1	05GEOM1012CAV-TPW	Front cabinet 1012 White (with screws)
	1	05GEOM1025CAV-T	Front cabinet 1025 Black (with screws)
	1	05GEOM1025CAV-TPW	Front cabinet 1025 White (with screws)
4	2	05LEXM1012	Lexan GEOM1012 Black
	2	05LEXM1012-PW	Lexan GEOM1012 White
	2	05LEXM1025	Lexan GEOM1025 Black
	2	05LEXM1025-PW	Lexan GEOM1025 White
5	1	05GEOM10UA-I	Complete grille installation Black
	1	05GEOM10UA-IPW	Complete grille installation White
6	1	05GEOM10LOG	NEXO Logo (with 2x starlock)
7	1	05GEOM10CAR	Rear cabinet Black (with screws – gasket)
	1	05GEOM10CAR-PW	Rear cabinet White (with screws – gasket)
8	1	05AMACCGEOM10L-I	Left rigging Black (with screws – gasket)
	1	05AMACCGEOM10L-IPW	Left rigging White (with screws – gasket)
9	1	05AMACCGEOM10R-I	Right rigging Black (with screws – gasket)
	1	05AMACCGEOM10R-IPW	Right rigging White (with screws – gasket)
10	1	05LEXWAR	Lexan warning
11	1	05LEXRIG-EXP	Lexan Rigging Explain
12	2	05CNX222-413	Wago 3Pt
13	1	05LEXCNX-M1012-I	Lexan CNX GEOM1012 Black
	1	05LEXCNX-M1012-IPW	Lexan CNX GEOM1012 White
	1	05LEXCNX-M1025-I	Lexan CNX GEOM1025 Black
	1	05LEXCNX-M1025-IPW	Lexan CNX GEOM1025 White
14	2	05PREPM20-2	Cable gland Black
	2	05PREPM20-2PW	Cable gland White
15	1	05AMRD21	Washer R21C42
16	1	05GEOM10FPB	GEOM10 Passive filter complete
17	4	05ENTNYL8.2-12-14	Spacer (x10)
18	1	05GEOM10F	Internal rigging Black complete
	1	05GEOM10F-PW	Internal rigging White complete
19	1	05GEOM10LKB	Linkbar Black (with fasteners)
	1	05GEOM10LKB-PW	Linkbar White (with fasteners)
20	1	05LEXRIG-ANG	Lexan rigging angles
21	1	05FS1.5MH0.4R	Self 1.5mH – 0.4 ohm
22	1	05FCNP5.60	Capacitor 5.6µF
23	1	05FCNP22	Capacitor 22µF
24	1	05FS0.68MH0.58R	Self 0.68mH – 0.58 ohm
25	1	05FCNP4.70	Capacitor 4.7µF
26	1	05FS1.00MH1R	Self 1mH – 1 ohm