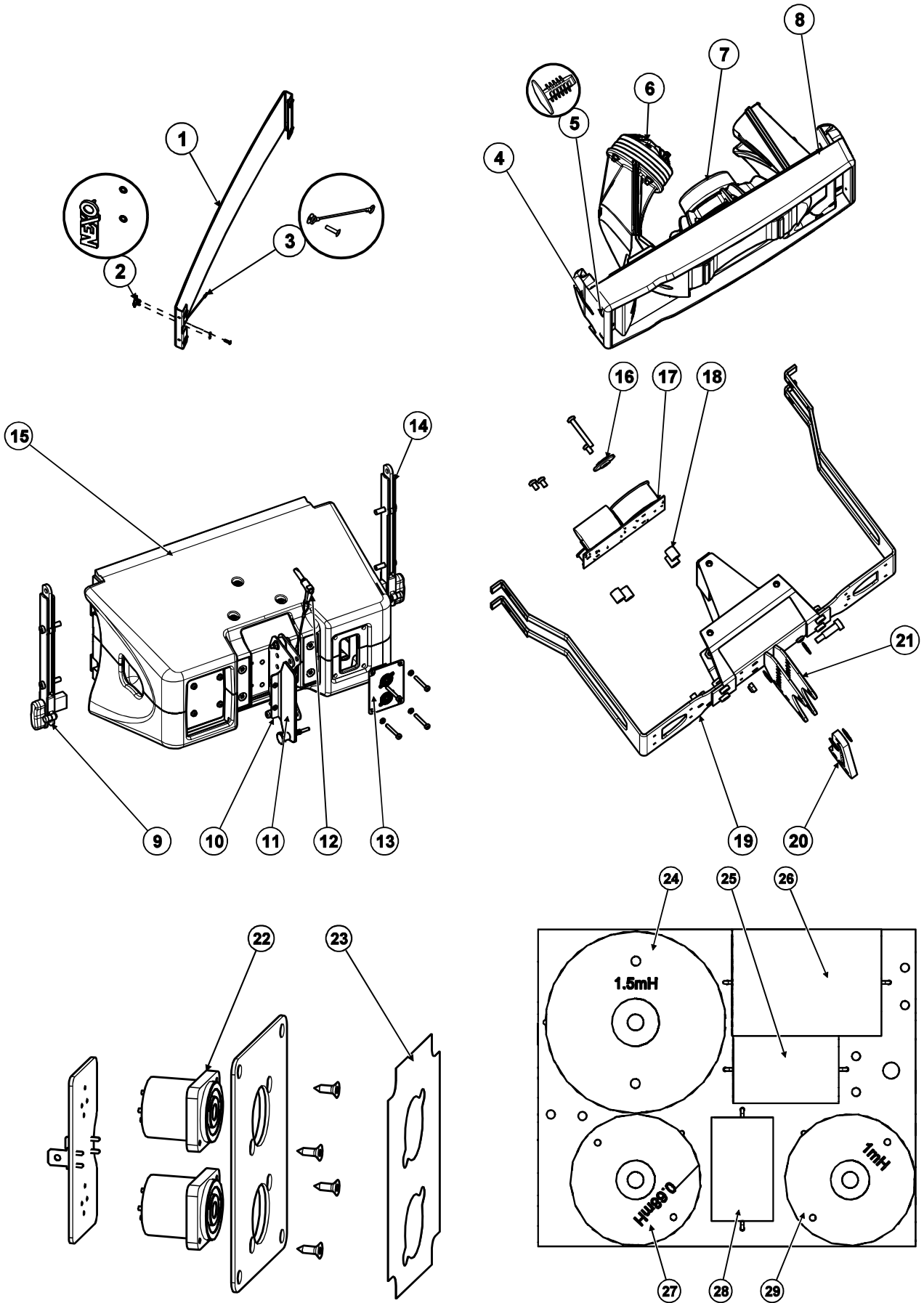


5 SPARE PARTS

Warning: If necessary, spare parts are delivered with screws, nuts, washers, gaskets, use them to maintain products integrity.

5.1 GEO M10



MARK	QUANTITY	PART NUMBER	DESIGNATION
1	1	05GEOM10UA	Complete grille touring Black
	1	05GEOM10UA-PW	Complete grille touring White
2	1	05GEOM10LOG	NEXO Logo (with 2x starlock)
3	1	05DRISSAC-B	Sling Black (with rivet - washer)
	1	05DRISSAC-PW	Sling White (with rivet - washer)
4	2	05LEXM1012	Lexan GEOM1012 Black
	2	05LEXM1012-PW	Lexan GEOM1012 White
	2	05LEXM1025	Lexan GEOM1025 Black
	2	05LEXM1025-PW	Lexan GEOM1025 White
5	4	05VRIVS4.8-11	Barber rivet Black
	4	05VRIVS4.8-11PW	Barber rivet white
6	1	05HPADE68-16	HF driver complete (with screws)
	1	05NH68-16R/K	HF Diaphragm
7	1	05HPB10N	10" Driver
	1	05HPB10NR/K	Recone kit HPB10N
8	1	05GEOM1012CAV-T	Front cabinet 1012 Black (with screws)
	1	05GEOM1012CAV-TPW	Front cabinet 1012 White (with screws)
	1	05GEOM1025CAV-T	Front cabinet 1025 Black (with screws)
	1	05GEOM1025CAV-TPW	Front cabinet 1025 White (with screws)
9	1	05AMACCGEOM10R	Right rigging Black (with screws – gasket)
	1	05AMACCGEOM10R-PW	Right rigging White (with screws – gasket)
10	1	05AMGR10SR1	Guide plate Black (with screws)
	1	05AMGR10SR1-PW	Guide plate White (with screws)
11	1	05LEXRIG-EXP	Lexan Rigging Explain
12	1	05BL820-E	Quick release pins 8x20 L (with sling – screw)
13	1	05GEOM10FPA	Connection plate without Lexan (with screws – washer)
14	1	05AMACCGEOM10L	Left rigging Black (with screws – gasket)
	1	05AMACCGEOM10L-PW	Left rigging White (with screws – gasket)
15	1	05GEOM10CAR	Rear cabinet Black (with screws – gasket)
	1	05GEOM10CAR-PW	Rear cabinet White (with screws – gasket)
16	1	05AMRD21	Washer R21C42
17	1	05GEOM10FPB	GEOM10 Passive filter complete
18	4	05ENTNYL8.2-12-14	Spacer (x10)
19	1	05GEOM10F	Internal rigging Black complete
	1	05GEOM10F-PW	Internal rigging White complete
20	1	05GEOM10LKB	Linkbar Black (with fasteners)
	1	05GEOM10LKB-PW	Linkbar White (with fasteners)
21	1	05LEXRIG-ANG	Lexan rigging angles
22	2	05CNXNL4MDV-1	Speakon NL4 M D V 1 (with screws)
23	1	05LEXCNX-M1012	Lexan CNX GEOM1012
	1	05LEXCNX-M1025	Lexan CNX GEOM1025
24	1	05FS1.5MH0.4R	Self 1.5mH – 0.4 ohm
25	1	05FCNP5.60	Capacitor 5.6µF
26	1	05FCNP22	Capacitor 22µF
27	1	05FS0.68MH0.58R	Self 0.68mH – 0.58 ohm
28	1	05FCNP4.70	Capacitor 4.7µF
29	1	05FS1.00MH1R	Self 1mH – 1 ohm