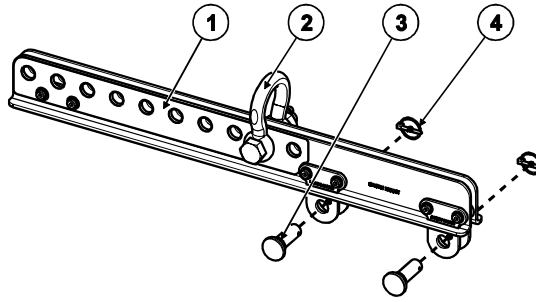
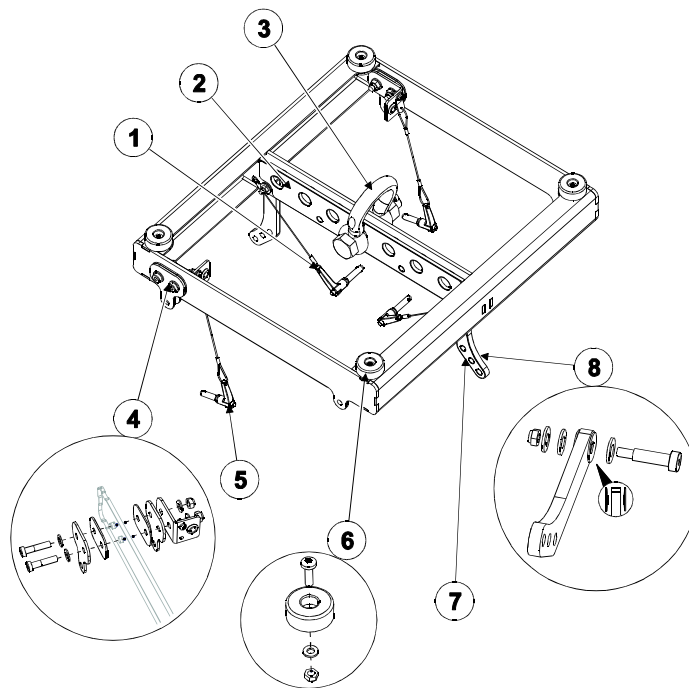


5.5 GMT-EXBARM10L



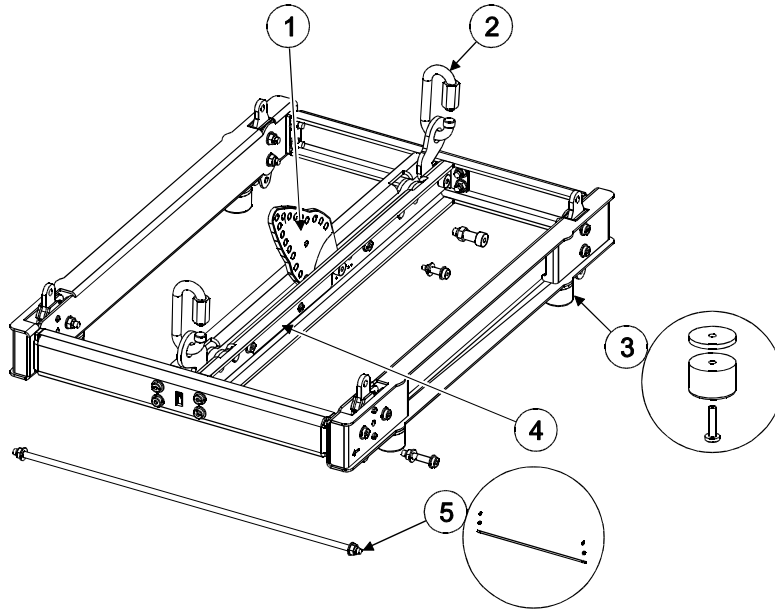
| MARK | QUANTITY | PART NUMBER | DESIGNATION |
|------|----------|-----------------|---------------------------|
| 1 | 1 | 05LEXEXBM10L | Lexan GMT-EXBARM10L |
| | 1 | 05LEXEXBM10L-PW | Lexan GMT-EXBARM10L White |
| 2 | 1 | 05MLHRBGSTD3.25 | Shackle 3.25T |
| 3 | 2 | 05VGOU19 | Pin 19 with safety pin |
| 4 | 2 | 05VGOU45X40A | Safety pin 4.5x40 (x10) |

5.6 GMT-LBUMPM10



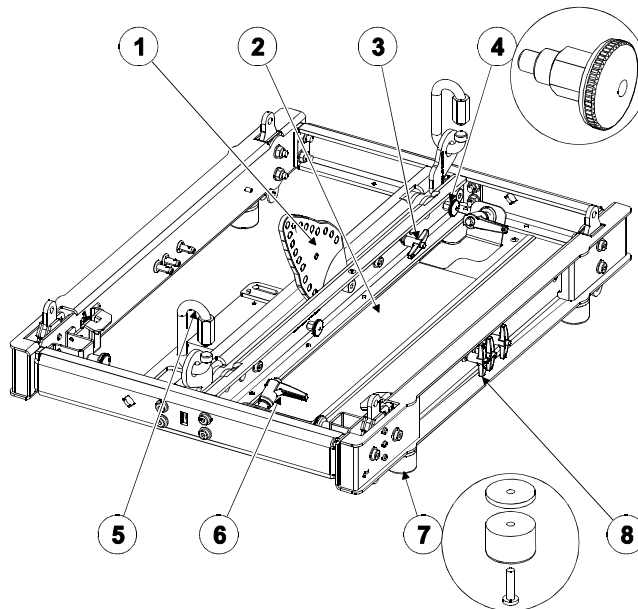
| MARK | QUANTITY | PART NUMBER | DESIGNATION |
|------|----------|-----------------|--|
| 1 | 2 | 05BL825-EL | Quick Release pin 8x25L (with sling and screws) |
| 2 | 1 | 05LEXLBPM10 | Lexan GMT-LBUMPM10 (with 7) |
| | 1 | 05LEXLBPM10-PW | Lexan GMT-LBUMPM10 White (with 7) |
| 3 | 1 | 05MLHRBGSTD3.25 | Shackle 3.25T |
| 4 | 2 | 05LBPM10-RK | Rigging kit Black |
| | 2 | 05LBPM10-RKPW | Rigging kit White |
| 5 | 2 | 05BL820-EL | Quick Release pin 8x20L (with sling – fasteners) |
| 6 | 4 | 05FTCC | Plastic pad 38x15 (with fasteners) |
| 7 | 2 | See Mark 2 | Lexan LinkBar GMT-LBUMPM10 |
| | 2 | See Mark 2 | Lexan LinkBar GMT-LBUMPM10 White |
| 8 | 2 | 05LBLBPM10 | LinkBar GMT-LBUMPM10 (with fasteners) Black |
| | 2 | 05LBLBPM10-PW | LinkBar GMT-LBUMPM10 (with fasteners) White |

5.7 VNI-BUMPM10



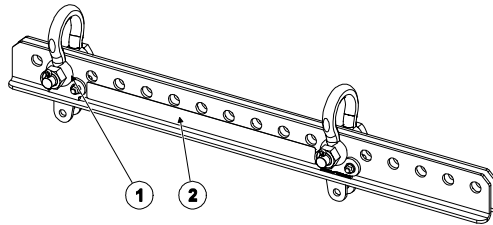
| MARK | QUANTITY | REFERENCE | DESIGNATION |
|------|----------|-----------------|---|
| 1 | 1 | 05LEXSAPM10 | Lexan Linkbar BUMPM10 |
| | 1 | 05LEXSAPM10-PW | Lexan Linkbar BUMPM10 White |
| 2 | 2 | 05MAILR12AZ | Quick link 1T5 |
| 3 | 4 | 05FTCC38x25 | Plastic pad 38x25 (with fasteners and spacer) |
| 4 | 1 | 05LEXBPM10I | Lexan VNI-BUMPM10 |
| | 1 | 05 LEXBPM10I-PW | Lexan VNI-BUMPM10 White |
| 5 | 3 | 05BNFIXM10 | BNFIXM10 |
| | 3 | 05BNFIXM10-PW | BNFIXM10 White |

5.8 VNT-BUMPM10



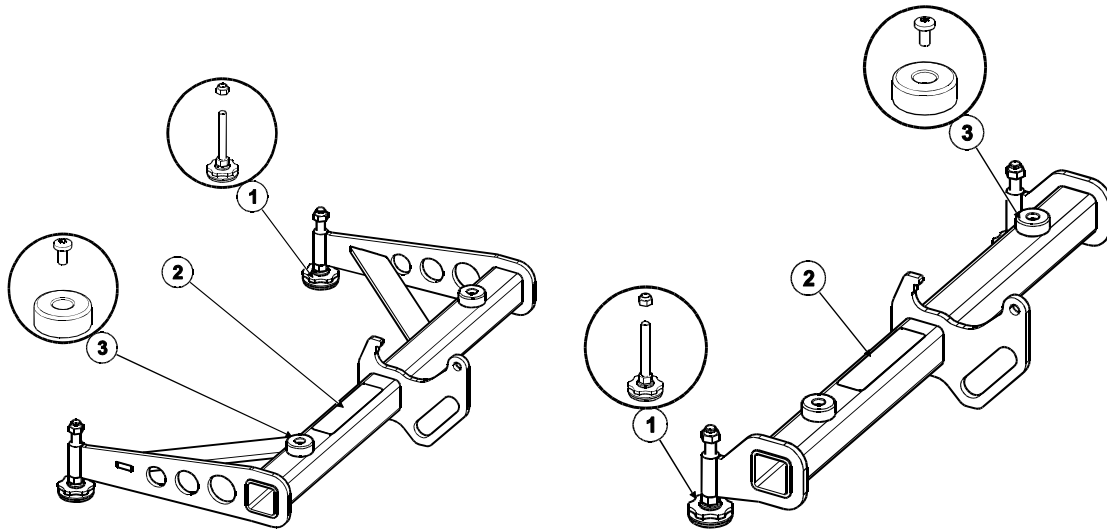
| MARK | QUANTITY | PART NUMBER | DESIGNATION |
|------|----------|----------------|---|
| 1 | 1 | 05LEXSAPM10 | Lexan Linkbar BUMPM10 |
| | 1 | 05LEXSAPM10-PW | Lexan Linkbar BUMPM10 White |
| 2 | 1 | 05LEXBPM10 | Lexan VNT-BUMPM10 |
| | 1 | 05LEXBPM10-PW | Lexan VNT-BUMPM10 White |
| 3 | 1 | 05BL820T-EL25 | Quick release pins 8x20T (with sling 250mm – fasteners) |
| 4 | 3 | 05VLATD5 | Button latch D5 |
| 5 | 2 | 05MAILR12AZ | Quick link 1T5 |
| 6 | 2 | 05BL1240-EL | Quick Release pins 12x40L (with sling – fasteners) |
| 7 | 4 | 05FTCC38X25 | Plastic pad 38x25 (with fasteners and spacer) |
| 8 | 6 | 05BL820T-EL15 | Quick release pins 8x20T (with sling 150mm – fasteners) |

5.9 VNT-EXBARM10



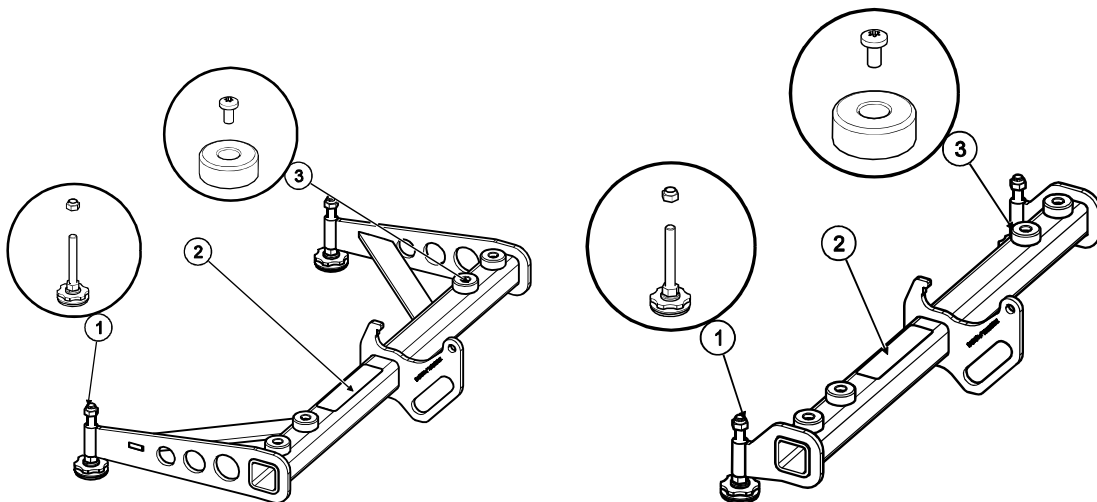
| MARK | QUANTITY | PART NUMBER | DESIGNATION |
|------|----------|-----------------|--------------------------|
| 1 | 2 | 05MLHRBGSTD3.25 | Shackle 3.25T |
| 2 | 1 | 05LEXBARM10 | Lexan VNT-EXBARM10 |
| | 1 | 05 LEXBARM10-PW | Lexan VNT-EXBARM10 White |

5.10 VNT-GSTKM10L – VNT-GSTKM10S



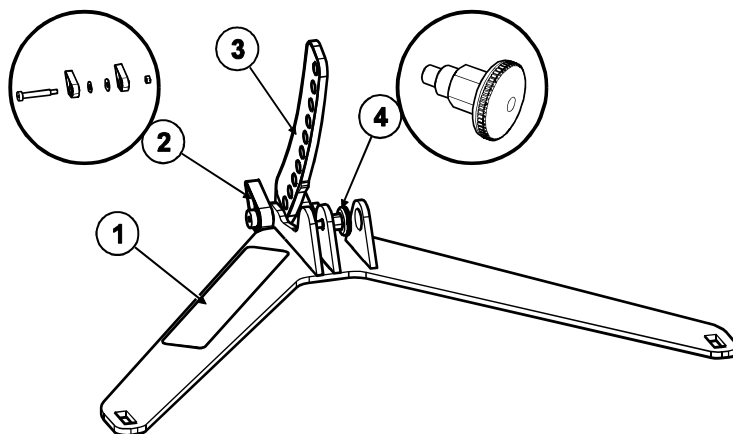
| MARK | QUANTITY | PART NUMBER | DESIGNATION |
|------|----------|---------------|-----------------------------------|
| 1 | 2 | 05VER1280 | Steel Foot (with fasteners) |
| 2 | 2 | 05FTCC | Plastic pad 38x15 (with fastener) |
| 3 | 1 | 05LEXGSTKM10L | Lexan VNT-GSTKM10L |
| | 1 | 05LEXGSTKM10S | Lexan VNT-GSTKM10S |

5.11 VNT-GSTKM10M12L – VNT-GSTKM10M12S



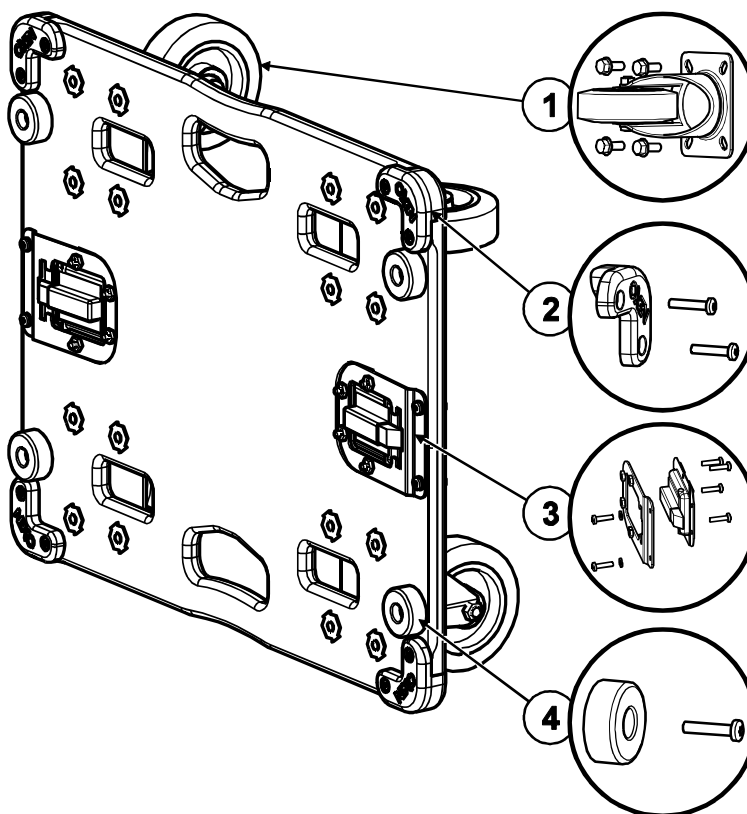
| MARK | QUANTITY | PART NUMBER | DESIGNATION |
|------|----------|---------------|-----------------------------------|
| 1 | 2 | 05VER1280 | Steel Foot (with fasteners) |
| 2 | 1 | 05LEXGSTKM12L | Lexan VNT-GSTKM10M12L |
| | 1 | 05LEXGSTKM12S | Lexan VNT-GSTKM10M12S |
| 3 | 4 | 05FTCC | Plastic pad 38x15 (with fastener) |

5.12 VNT-MNSTKM10



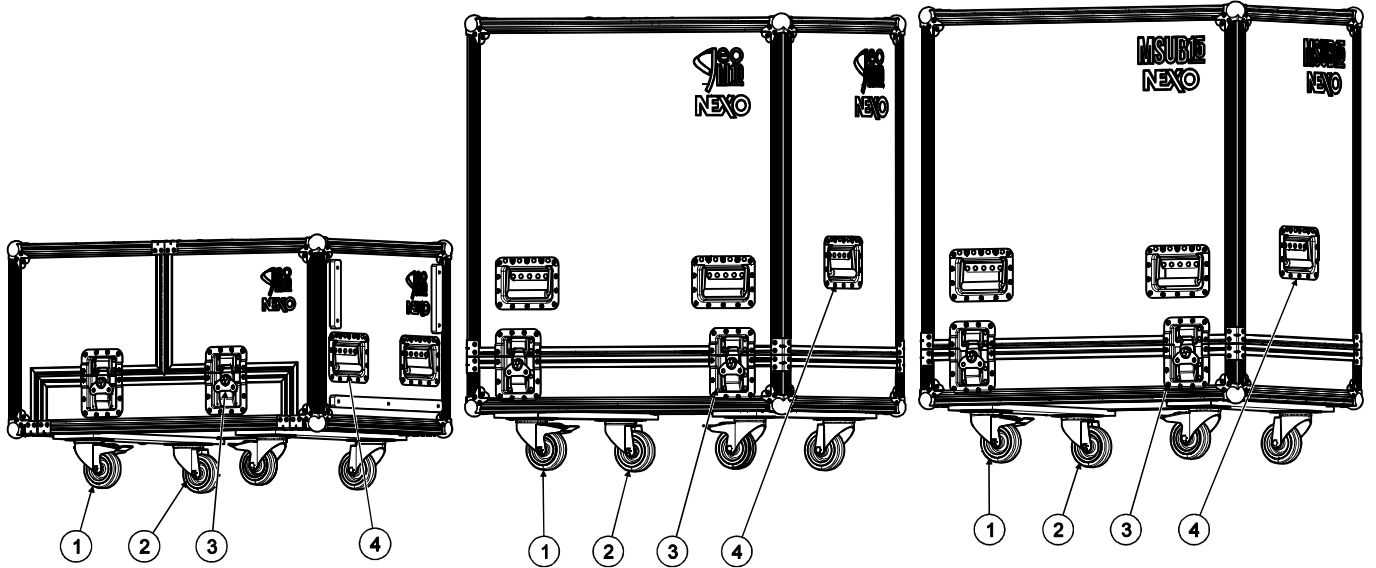
| MARK | QUANTITY | PART NUMBER | DESIGNATION |
|------|----------|-----------------|------------------------|
| 1 | 1 | 05LEXMNSTKM10 | Lexan VNT-MNSTKM10 |
| 2 | 1 | 05MNSTK10-EXC | Lever Lock Kit |
| 3 | 1 | 05LEXLBMNSTKM10 | Lexan LinkBar MNSTKM10 |
| 4 | 1 | 05VLATD5 | Button latch D5 |

5.13 MST-WBMSUB15



| MARK | QUANTITY | PART NUMBER | DESIGNATION |
|------|----------|---------------|------------------------------------|
| 1 | 4 | 05ROUL80 | Castor (with fasteners) |
| 2 | 4 | 05PATINCM28DL | Plastic pad (with fasteners) |
| 3 | 2 | 05LOCK90-75 | Latch (with fasteners) |
| 4 | 4 | 05FTCC | Plastic pad 38x15 (with fasteners) |

5.14 GMT-3CASEM10 / GMT-6CASEM10 / MST-2CASEMSUB15



| MARK | QUANTITY | REFERENCE | DESIGNATION |
|------|----------|-----------|--------------------------|
| 1 | 2 | 05ROU209 | Castor 100 without brake |
| 2 | 2 | 05ROU208 | Castor 100 with brake |
| 3 | 4 / 6 | 05FLCLOCK | Butterfly Latch |
| 4 | 4 / 6 | 05FLCHAND | Sprung Handle |