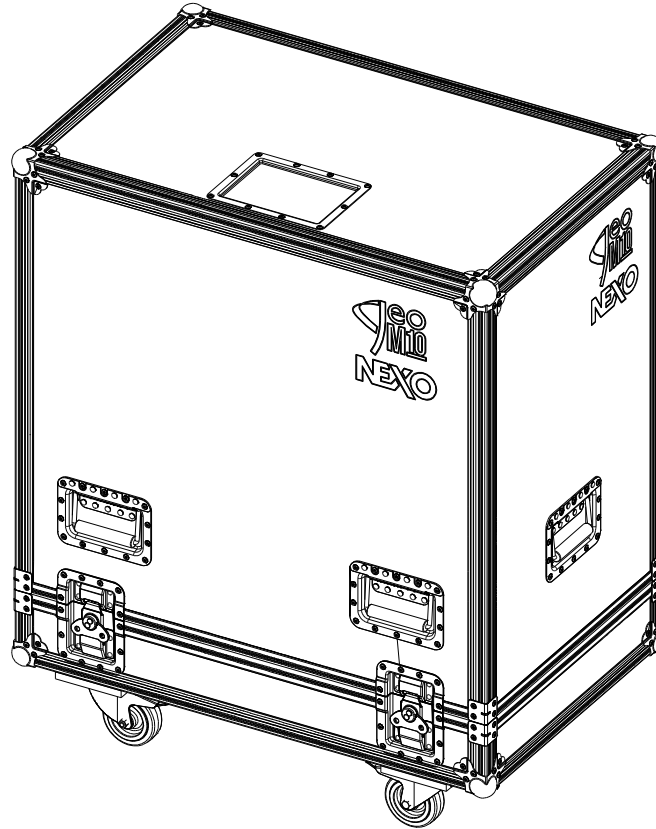
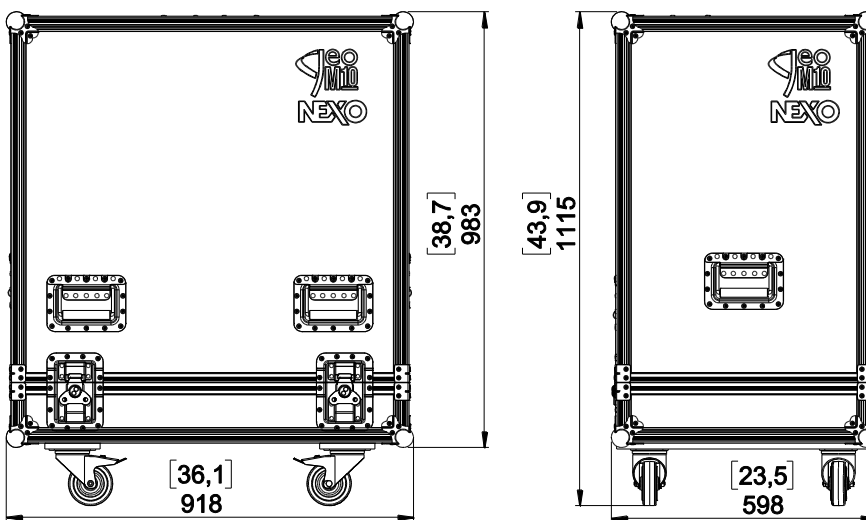


Flight Case for 6x GeoM10

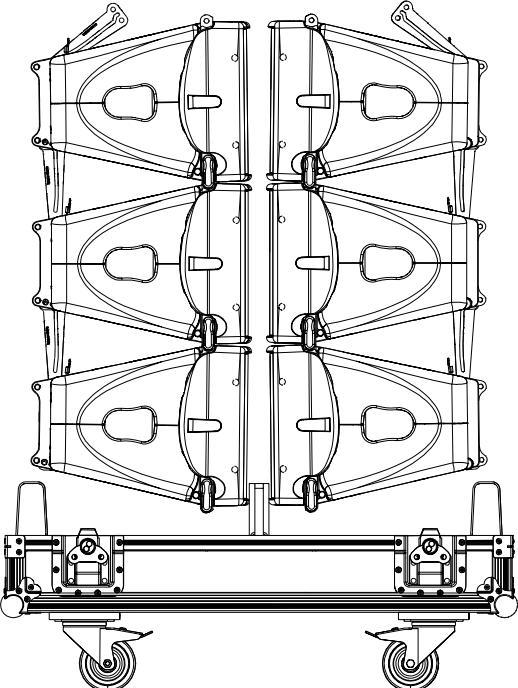
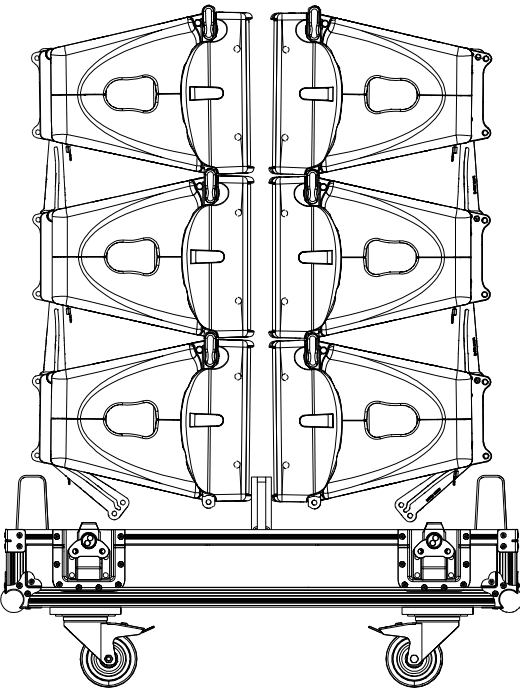


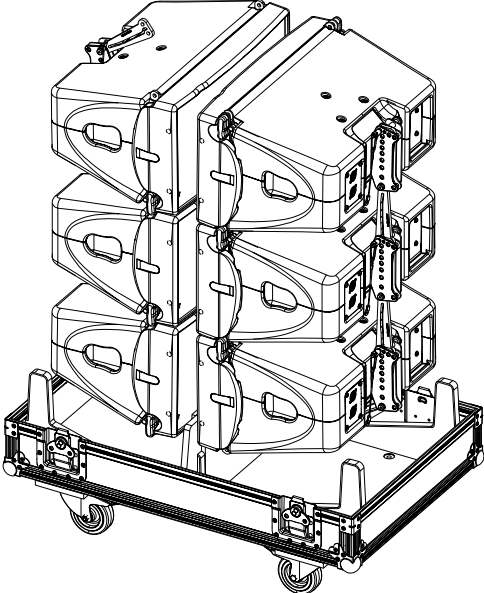
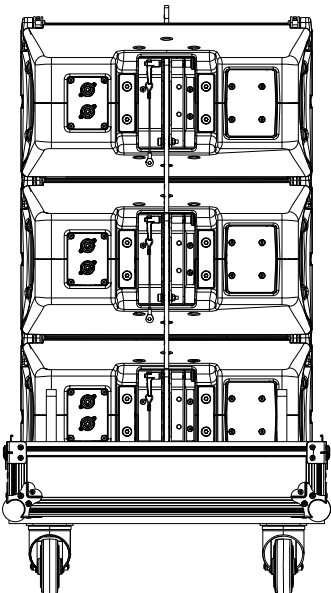
Contents:



Weight: 45 kg / 100 lb

Use:

HF on the left	HF on the right
<p>Take out GEOM10 link bars; Place the Bumper; Front: lock with quick release pins; Adjust the angle with the Bumper link bar;</p>	<p>AutoRig™ in Autolock™ status; Place the Bumper; Check that it is properly engaged; Adjust the angle with Bumper link bar;</p>
	

Easy access for accessories assembly	Easy access to connectors
	

- NEXO cannot accept responsibility for accidents caused by any factor other than defects in this product itself.
- Please check the web site www.nexo-sa.com for the latest update.

NEXO

www.nexo-sa.com

ZA du pre de la Dame Jeanne

60128 PLAILLY-France

- Read this document before using.
- Keep this document.
- Observe all warnings and cautions.