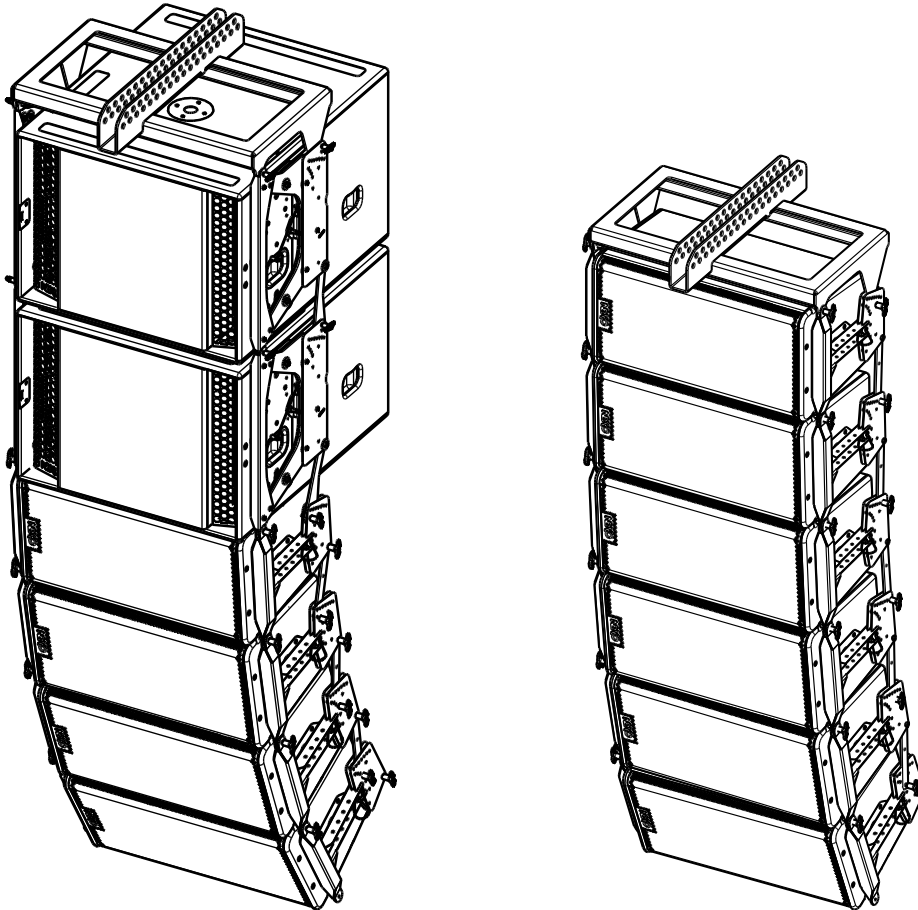
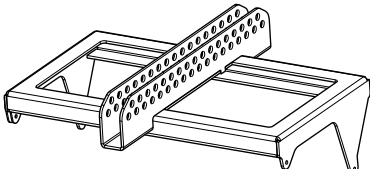
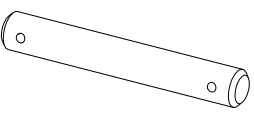
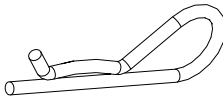


Bumper Touring

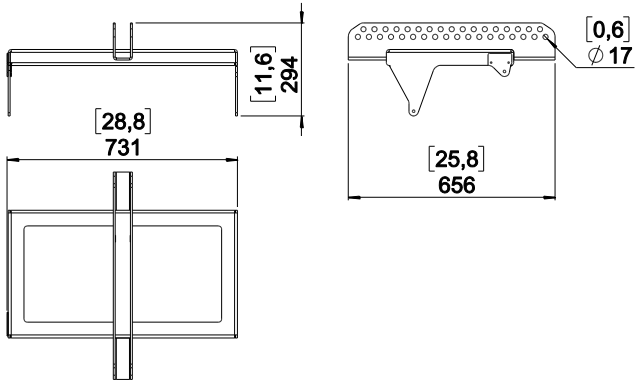


Contents:

<p>X1</p> 	<p>X1 05VAX16-110N</p> 	<p>X2 05VGOU3</p> 
---	--	---

Weight: 20 kg / 44 lb

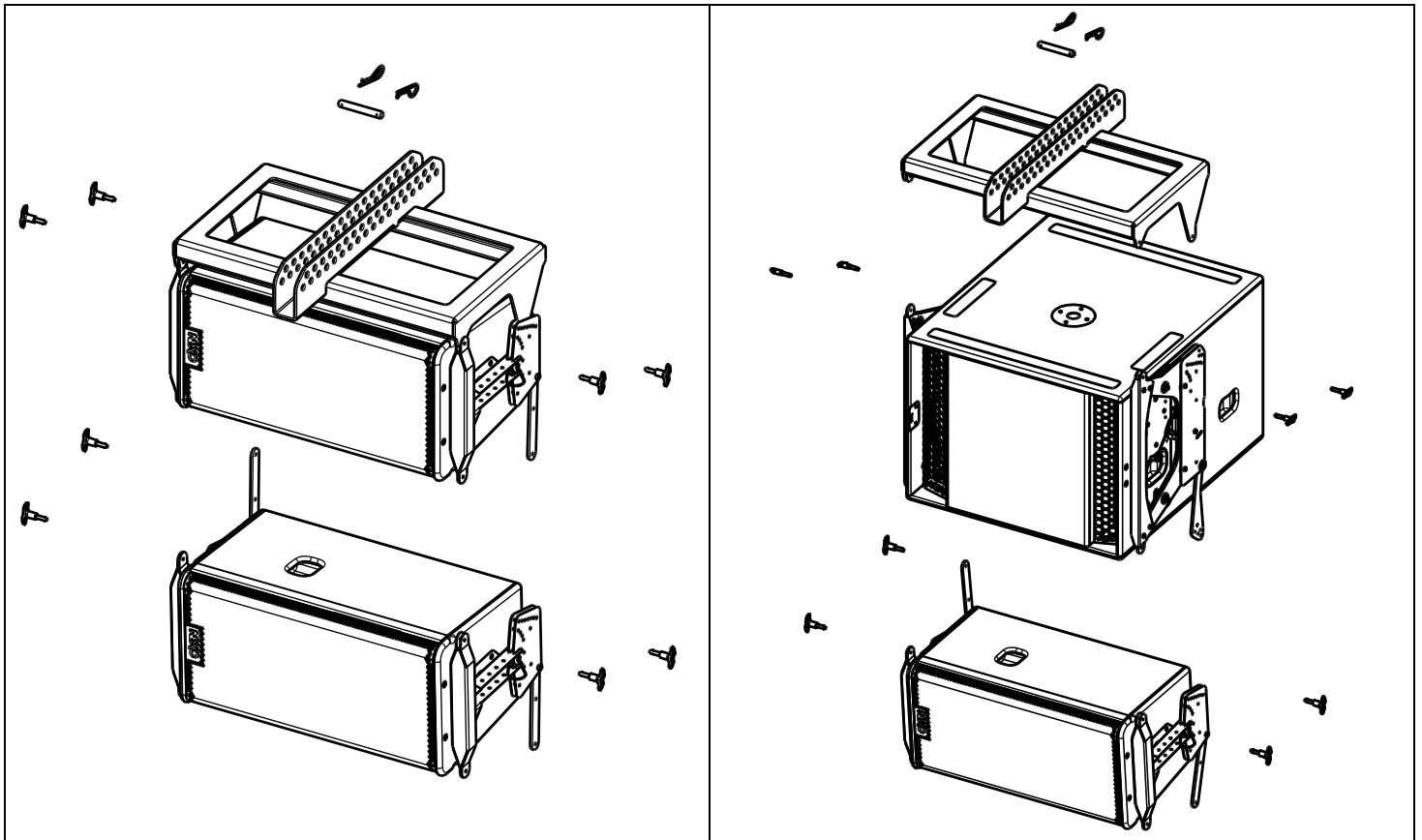
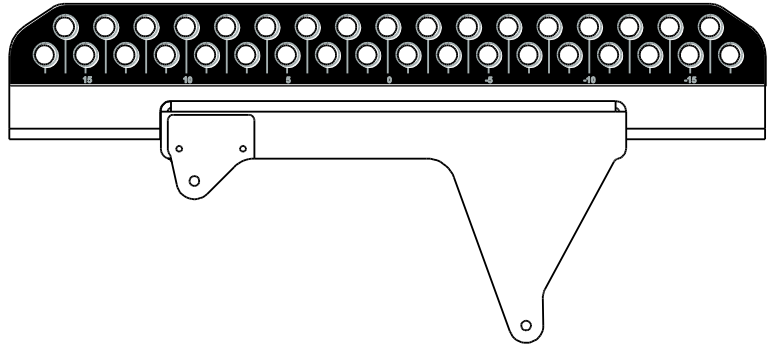
Dimensions:



- Connect bumper to first LS18 or GEO S12 using « lift » points of XBOWs; ensure quick release pins are properly locked.
- Insert axis in bumper NS-1 predefined hole and secure it with provided “R” clip.

NB: Bumper holes are numbered #17 to #17, please refer to NS-1 to determine axis position in relation to bumper angle requirements.

If bumper is flown with 2 hoists, then they should be connected to holes #17 and #17.



- NEXO cannot accept responsibility for accidents caused by any factor other than defects in this product itself.
- Please check the web site nexo-sa.com for the latest update.

NEXO

nexo-sa.com
ZA du Pre de la Dame Jeanne
60128 PLAILLY - France

- Read this document before using.
- Keep this document.
- Observe all warnings and cautions.

