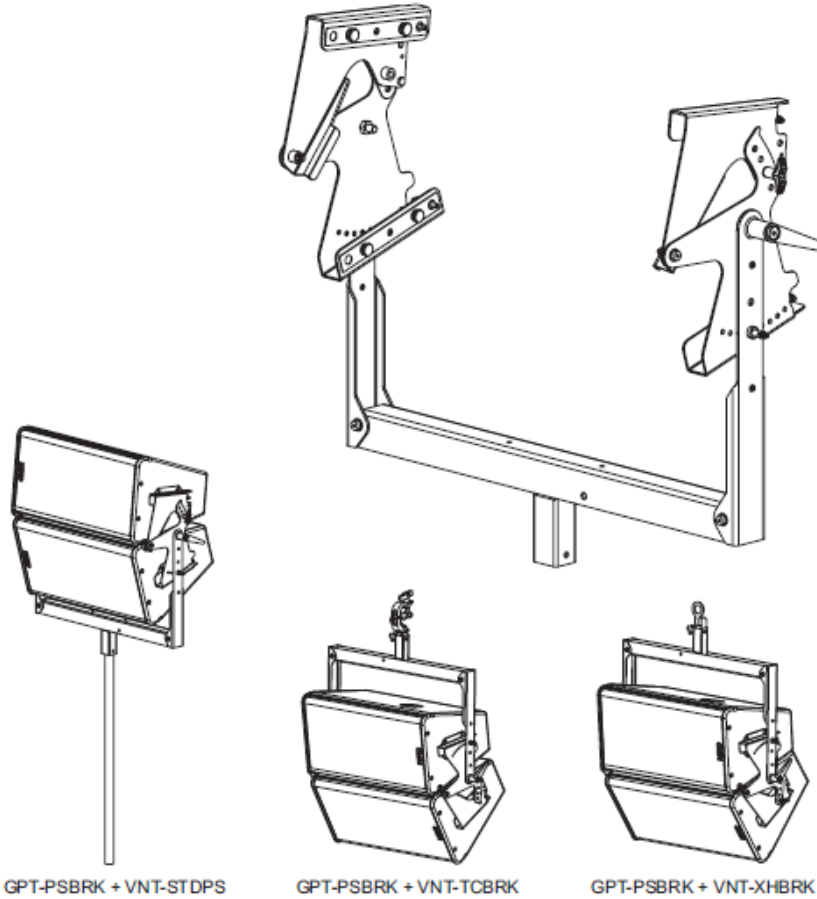


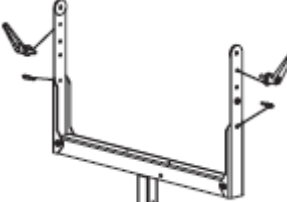




### Pole Stand Bracket for 2 GEOS 12

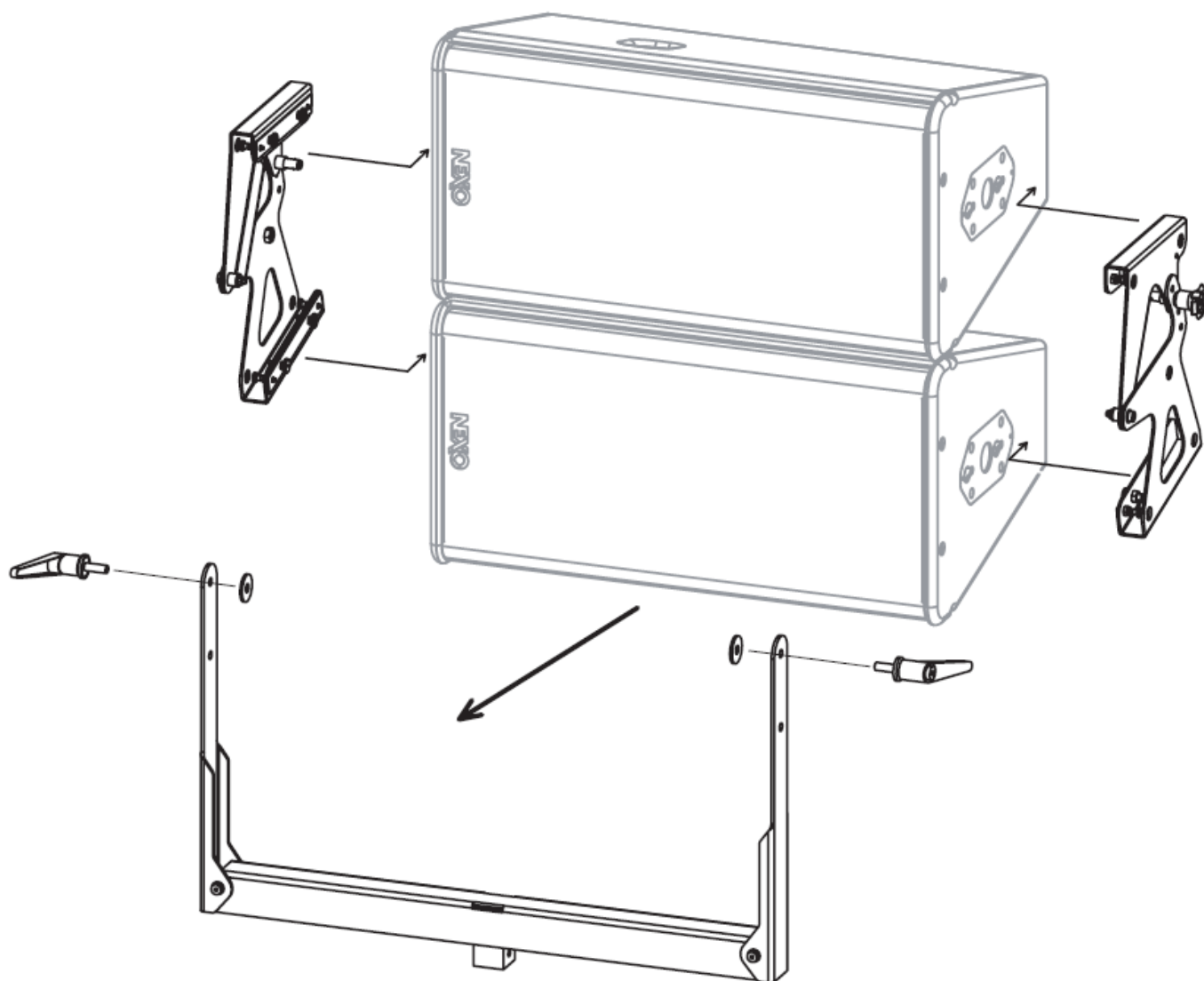


### Contents:

<b>x1 Left Part</b> 	<b>x1 Right Part</b> 	<b>x1 Yoke</b> 	<b>x2 Quick Release Pin 8x20</b> 	<b>x2 Plastic Washer</b> 
--	---	---	---	---

Weight: 11 kg / 24.25lb

## Procedure of Assembly



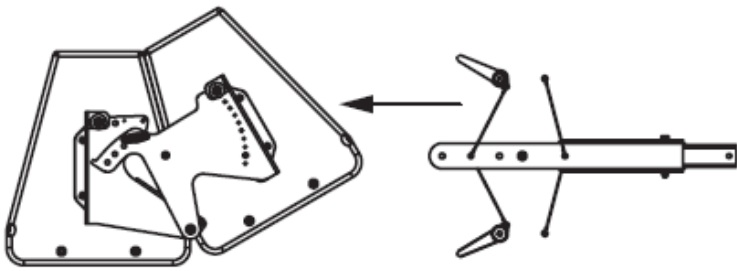
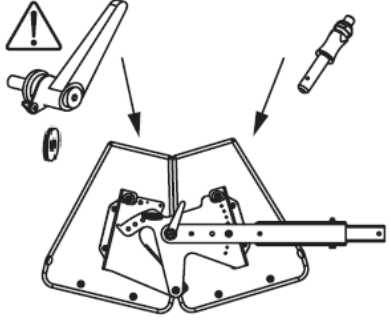
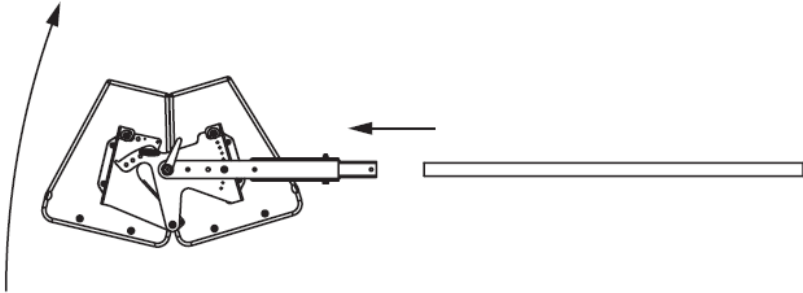
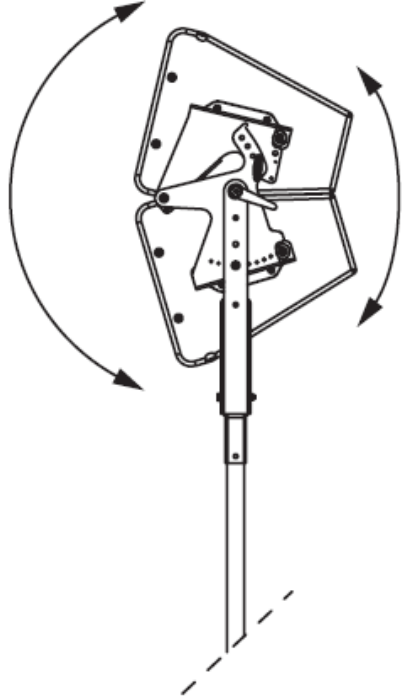
<p>Slide side plates into GEO S12 connecting plate oblong holes.</p>	<p>Lock safety pins into GEO S12 connecting plate.</p>	<p>Lock angle with the 2 Quick Release Pins (8x20).</p>

# NEXO

nexo-sa.com  
 ZA du Pre de la Dame Jeanne  
 60128 PLAILLY - France

- Read this document before using.
- Keep this document.
- Observe all warnings and cautions.



<p><b>Setting up the Yoke.</b></p>	<p><b>Screw the 2 Levers, with Plastic washers. Lock the rotation with the 2 Quick release pins.</b></p>
	
<p><b>Slide Pole Stand or Wind up Stand and raise assembly.</b></p>	<p><b>Adjust inter-cabinet angle and Lock to required angle value with the 2 Quick Release Pins.</b></p>
	

## WARNING:

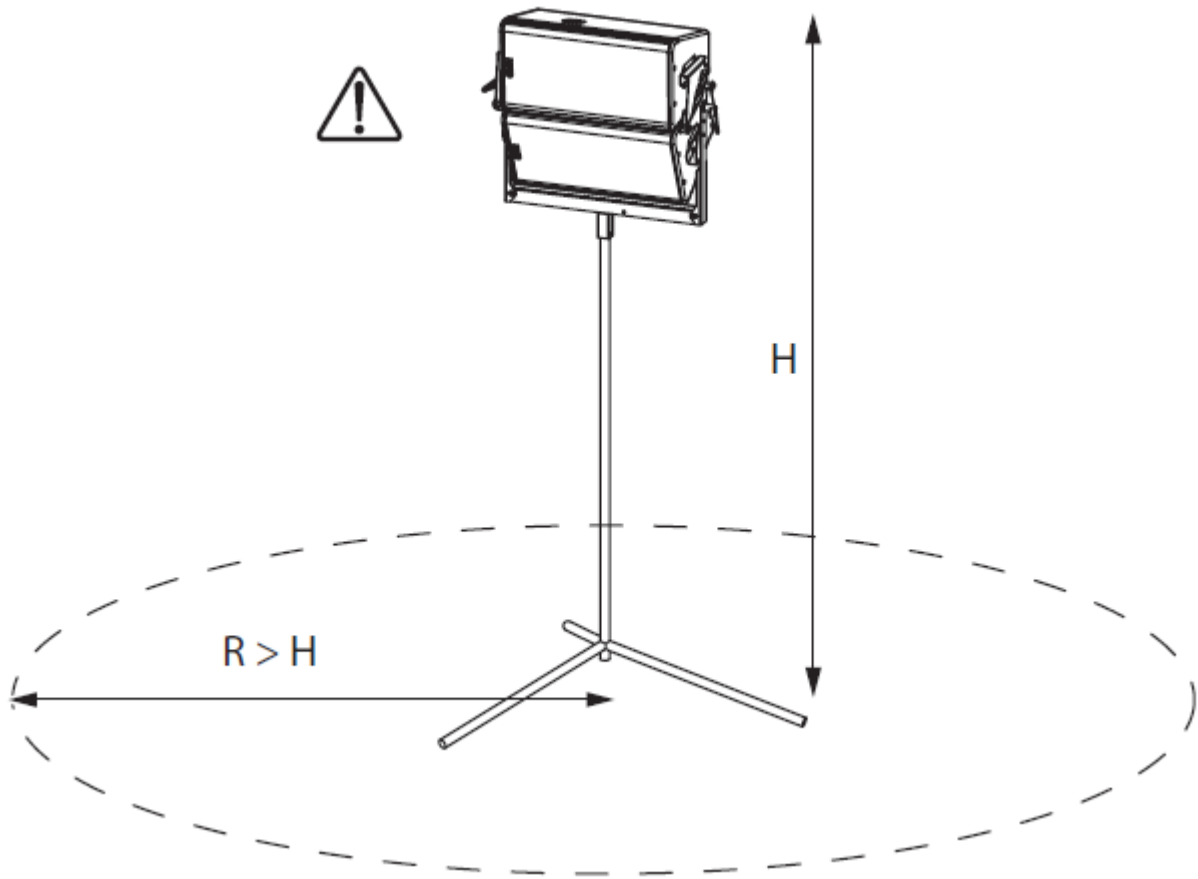
- Wind Up stand must be rated for assembly weight (80kg rated load min).
- Wind Up stand must always be installed on a horizontal surface.
- Stand height and footprint must be defined to prevent assembly from collapsing.
- Ensure that public is not allowed within a safety area within a radius that is equal or higher than the assembly height.

# NEXO

nexo-sa.com  
 ZA du Pre de la Dame Jeanne  
 60128 PLAILLY - France

- Read this document before using.
- Keep this document.
- Observe all warnings and cautions.





- NEXO cannot accept responsibility for accidents caused by any factor other than defects in this product itself.
- Please check the web site [nexo-sa.com](http://nexo-sa.com) for the latest update.

**NEXO**

nexo-sa.com  
ZA du Pre de la Dame Jeanne  
60128 PLAILLY - France

- Read this document before using.
- Keep this document.
- Observe all warnings and cautions.

