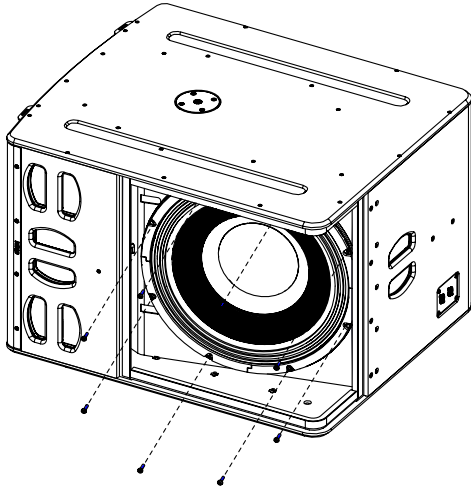


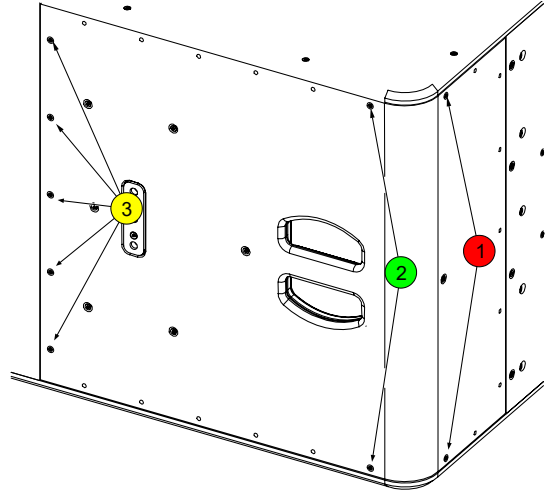
MAINTENANCE

Place 6 screws.

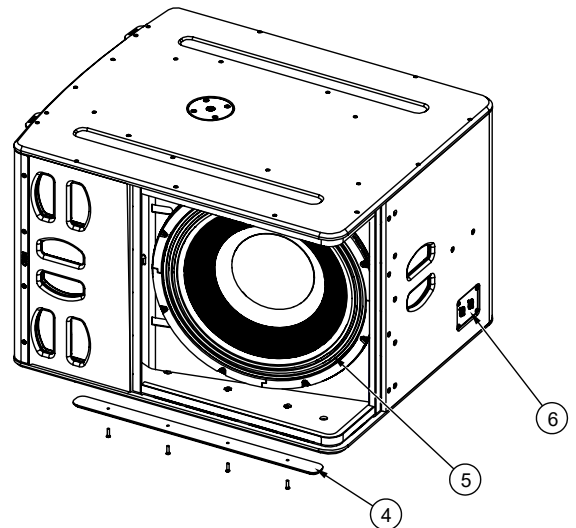
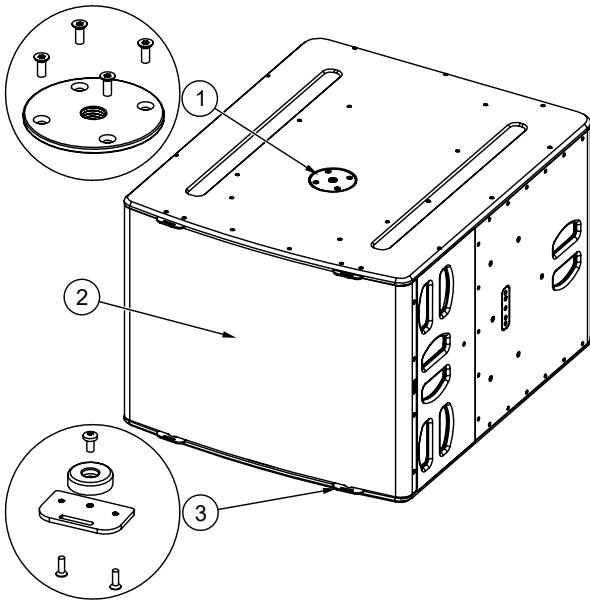
Tightening torque: 3.0 Nm (Thread Locker: Loctite 242)



Follow the sequence below to tight the screw. Place and tight the 12 others screws.



Spare parts



MARK	QUANTITY	REFERENCE	DESIGNATION
1	1	05DOUILM20N	Connector Plate M20 Black (with fasteners)
	1	05DOUILM20W	Connector Plate M20 White (with fasteners)
2	1	05L20UA	Complete grille Black (with fasteners)
	1	05L20UA-PW	Complete grille White (with fasteners)
3	4	05AMPLAVER02	Wheelboard attachment Black (with fasteners)
	4	05AMPLAVER02-PW	Wheelboard attachment White (with fasteners)
4	2	05PATIN01	Rubber Skid Black (with fasteners)
	2	05PATIN01-PW	Rubber Skid White (with fasteners)
5	1	05HPB20-4	HP 20" BASS NEODYNIUM 4 Ohms QUAD 4.5" VOICE COIL
	1	05HPB20-4R/K	HPB20-4 RECONE KIT
6	1	05CNX02	Connection plate Black without lexan (with fasteners)
	1	05CNX02-PW	Connection plate White without lexan (with fasteners)
6a	1	05LEXCNX-L20	Lexan CNX L20 Black
	1	05LEXCNX-L20PW	Lexan CNX L20 White
6b	2	05CNXNL4MDV-1	Speakon NL4 MDV1