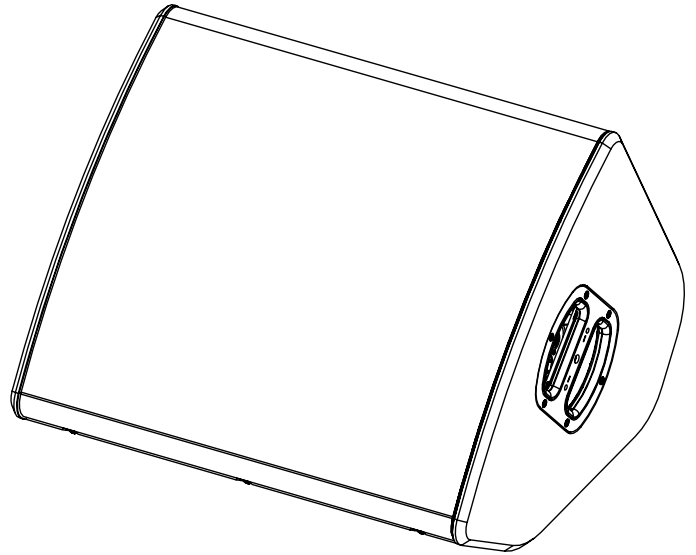
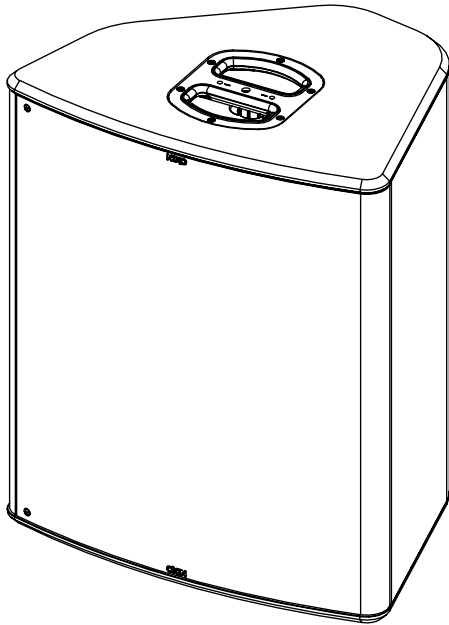


P18 / P18-TIS



User manual



TABLE OF CONTENTS

TABLE OF CONTENTS _____ 2

WARNINGS _____ 3

EQUIPMENT _____ 4

DESCRIPTION _____ 6

PRESET _____ 7

HF DIRECTIVITY _____ 9

CROSSOVER FREQUENCY _____ 9

ACCESSORIES _____ 10

ARRAY EQ _____ 17

MAINTENANCE _____ 18

TECHNICAL SPECIFICATIONS _____ 20

USER NOTES _____ 21

EU Conformity declaration	
	We, NEXO SA ZA DU PRE DE LA DAME JEANNE 60128 PLAILLY – France
Declare under our sole responsibility that the product	Loudspeaker
Type	P18
Serial number	On the product
Is in conformity with the provisions of the following directive including all applicable amendments:	2014/35/UE (Low Voltage Directive)
Applied rules and standards:	EN 12100, EN 13155, EN 62368
Plailly, September, 2023	Joseph CARCOPINO, R&D Director
	

WARNINGS

PRECAUTIONS

Do not open the speaker, do not try to disassemble it neither to modify it in any way. The system doesn't include any user-repairable part. If the system seems to be malfunctioning or damaged, stop using it at once and have it repaired by a NEXO qualified technician.

Do not expose the system directly to the sun or to the rain, do not immerse it into fluids, do not place objects filled with liquid on the system. If a liquid gets into the system, please have it inspected by a NEXO qualified technician.

When flying outdoor systems ensure that the system is not exposed to excessive wind or snow loads and is protected from rainfall.

In case of wind greater than 8 on Beaufort scale (72km/h – 45mph), a touring system has to be landed or an additional securing has to be implanted.

For fixed installations, wind loading has to be taken into account in accordance to the national standards

The connection should be performed by qualified technician, by ensuring that power is off.

Operating temperature with temperate climate: 0°C to +40°C (+32°F to +104°); -20°C à +60°C (-4°F to +140°F) for storage.

SAFETY INFORMATIONS

Read this manual before using the speaker.

Keep this manual available for further reference.

Observe all warnings and cautions.

Please check the NEXO Web site nexo-sa.com to get the most up-to-date version of this manual.

Ensure you are aware of the safety rules applying to rigging, stacking or installing on tripod or speaker stand. Failure to observe these rules may expose persons to potential wounds or even death.

Only use the system with accessories specified by NEXO.

Please always consult a NEXO-accredited technician if the installation needs architectural works and observe following precautions:

Mounting Precautions:

- Please select screws and mounting location supporting 4 times the system weight.
- Do not expose the system to excessive dust, vibrations, to extreme cold or hot temperatures, to reduce the risk of damaging components.
- Do not place the system in an unstable position: it could fall accidentally.
- If the system is used on a tripod, please ensure the tripod's specifications are adapted and that its height does not exceed 1.40m/55". Do not move the tripod with the system in position.

Connection and Powering Precautions:

- Unplug connected cables before moving the system.
- Power off the system before connecting the system.
- When switching on the installation, the amplifier must be powered last; when switching the installation off, shut off the amplifier first.
- If you work by cold temperatures, progressively raise the level to nominal value during the first minutes of use, to allow the system components to stabilize.

Please check regularly the system condition.

HIGH SOUND PRESSURE LEVELS

Exposure to very high sound pressure levels may cause permanent hearing losses. Degrees of hearing losses may be different from one person to another, but almost everybody will be affected if exposed to high sound pressure levels during a long period of time. The OSHA (Occupational Safety and Health Administration) American Agency specified the following maximal exposures:

Number of Hours	Sound Pressure Level (dBA), Slow Response
8	90
6	92
4	95
3	97
2	100
1 ½	102
1	105
½	110
¼ or less	115

WASTE OF ELECTRIC OR ELECTRONIC EQUIPMENT



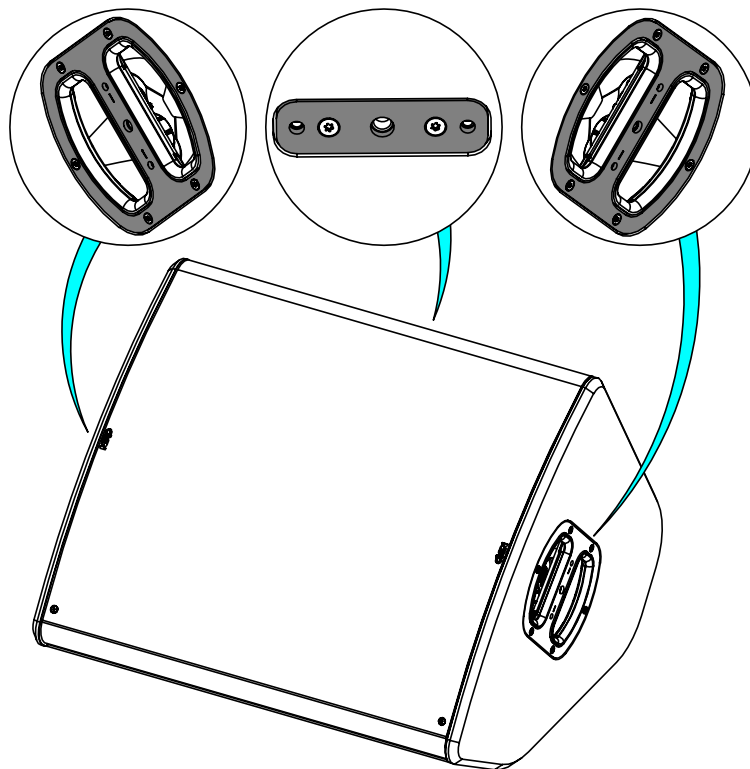
This symbol on the product or its packaging indicates that this product must not be treated as household waste. Instead, it is your responsibility to hand it over to a designated collection point for the recycling of waste electrical and electronic equipment. By ensuring your waste equipment is recycled, you will help prevent potential negative consequences for the environment and human health, which could appear if this product was not recycled. Recycling helps spare natural resources. For more information about the recycling of this product, please contact your local city office, your household waste disposal service or your reseller.

EQUIPMENT

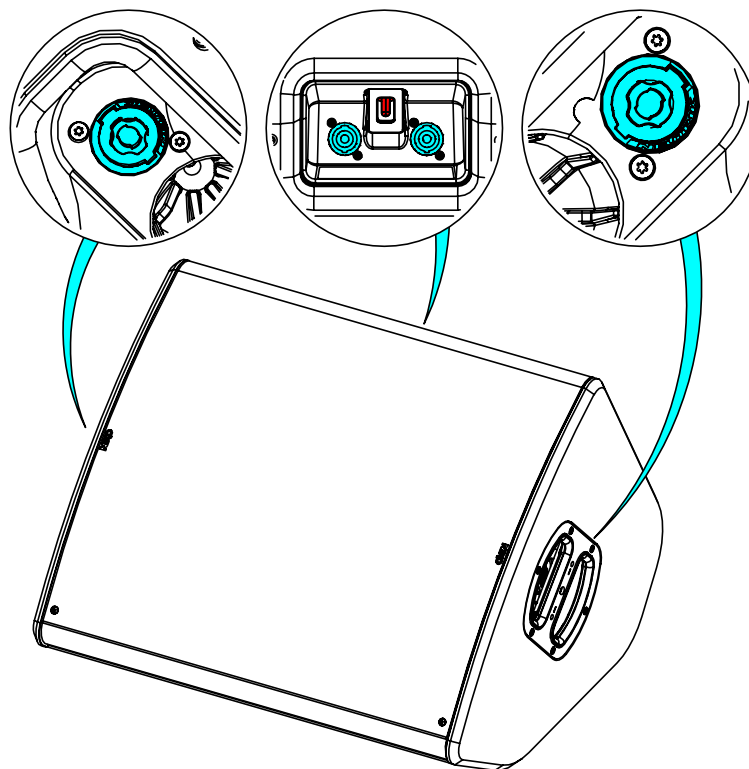
3 locations for rigging accessories, one at the back and one per side.

WARNING: The depth of the M10 thread is 24mm (0.95 inch).

On both sides, you'll find a print for speaker stand.



3 locations for connecting, one at the back and one per side.

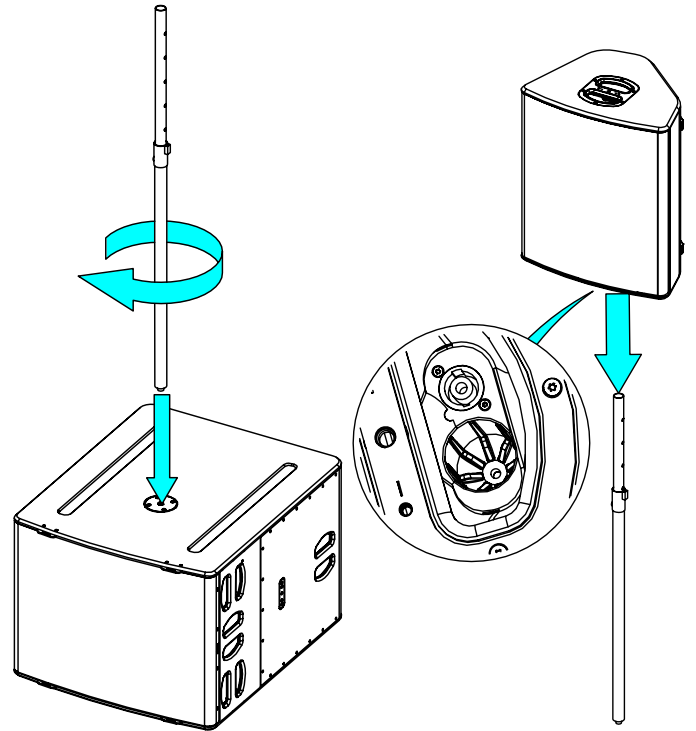


Pole stand assembly with pole stand or speaker stand

Fix the pole stand on the connector plate (M20) of the Sub.
Mount P18 on the pole stand/speaker stand (diameter of 35mm).
It may take two to handle P18.

IMPORTANT

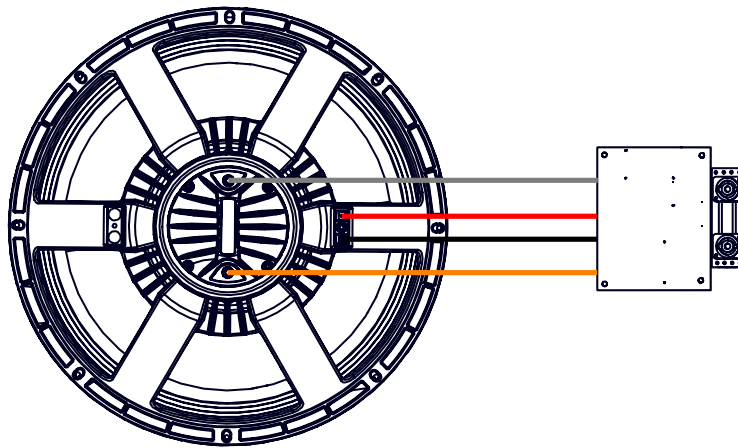
Speaker stand must be rated for P18 weight.
Speaker stand must always be installed on a horizontal surface.
Stand height and footprint must be defined to prevent assembly from collapsing.
Ensure that audience is not allowed within a safety area which radius is equal or higher than assembly height.
Test steadiness of the assembly by pushing in all directions.



DESCRIPTION

DESCRIPTION

- The P18 is a compact full-range coaxial speaker
- Versions:
 - P18: for Touring Application; black, white
 - P18-TIS: for Touring Application, with Grille Installation; black, white
- P18 HF Dispersion:
 - 60° - 60° with standard horn
 - 90° – 40° with PNU-P18FLG9040
 - PS with PNU-P18FLGPS (Asymmetrical Dispersion)
- P18 can be used alone or with L20 subwoofer
- The speaker is equipped with four Speakon NL4 connectors with parallel-wired pins, one on each side and two at the back. On the back a switch allows to choose between ACTIVE MODE/PASSIVE MODE.
 - PASSIVE MODE: 2+/2-. The 1+/1- pins are used by the sub.
 - ACTIVE MODE: LF (1+/1-) – HF (2+/2-)



- Amplification
 - The P18 speakers must be used with a NEXO processor to handle EQ, phase alignment, crossover and excursion/thermal protection for the system loudspeaker. There are two NEXO processor series supporting the P18 speakers: NXAMP (4 channels) amplified processors and DTD processors (stereo + sub). DTD processors ensure optimal performances when used with DTDAMP power amplifiers.
 - The following table shows the number of P18 speakers and L18 or L20 subwoofers usable with each solution.

	NXAMP4X2mk2	NXAMP4X1mk2 (BRIDGED)	NXAMP4X4mk2
P18	1 per channel (1)	Up to 2 per channel	Up to 3 per channel
L18	1 per channel (1)	1 per channel	Up to 2 per channel
L20	Not authorized	1 per channel	Up to 2 per channel (1)

(1) Recommended Powering Solution

PRESET

Please consult nexo-sa.com for NEXO TD Controllers firmware information.

For the P18, the following setups are available:

- MAIN is the recommended setup for most FOH application, similar to previous firmware setup.
- MONITOR is recommended for monitor applications. Warning: this setup is a low latency setup and therefore its phase is not compatible with other NEXO cabinets, including subs.

Passive Mode

- P18 MON PA 6060, with high-pass at 50, 85 or 120 Hz
- P18 MON PA 9040, with high-pass at 50, 85 or 120 Hz
- P18 MON PA PSguide, with high-pass at 50, 85 or 120 Hz

- P18 MAIN PA 6060, with high-pass at 50, 85 or 120 Hz
- P18 MAIN PA 9040, with high-pass at 50, 85 or 120 Hz
- P18 MAIN PA PSguide, with high-pass at 50, 85 or 120 Hz

Active Mode

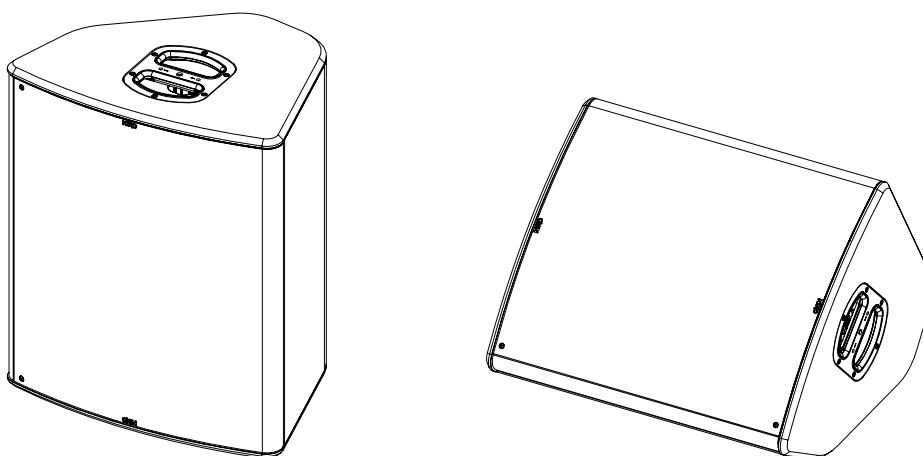
WARNING: Do not mix directivity and/or modes

P18 MON HF 6060 with P18 MON LF 6060 =====> OK
 P18 MAIN HF 6060 with P18 MON LF 6060 =====> NOT OK
 P18 MON HF 9040 with P18 MON LF 6060 =====> NOT OK

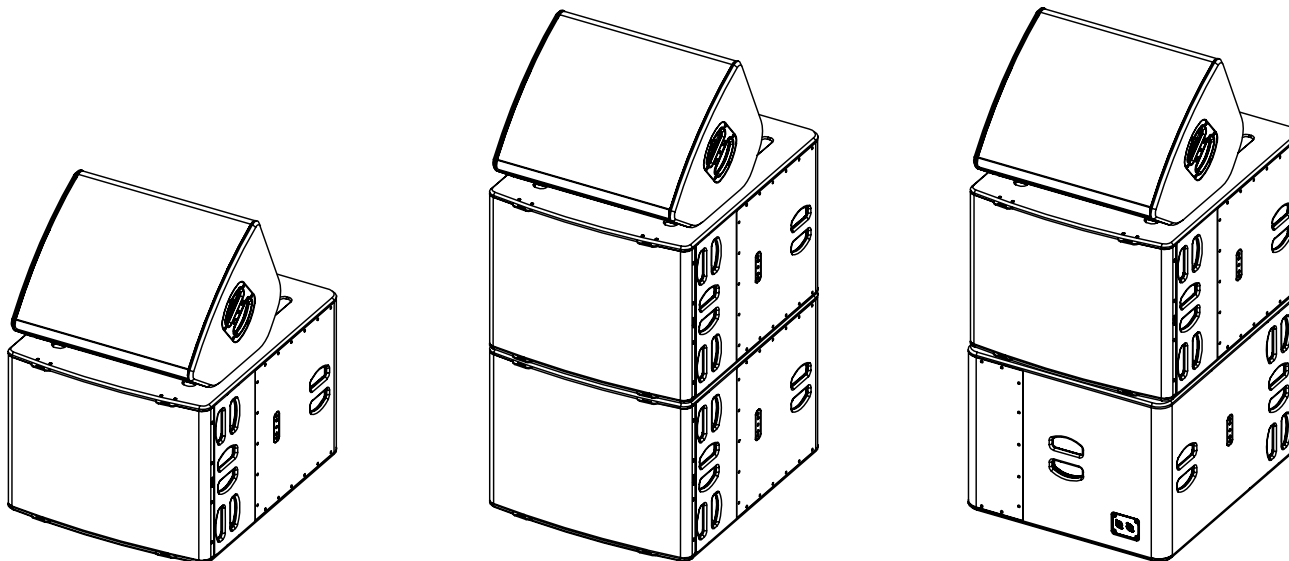
- P18 MON HF 6060, 1.2 kHz – 20 kHz.
- P18 MON HF 9040, 1.2 kHz – 20 kHz.
- P18 MON HF PSguide, 1.2 kHz – 20 kHz.
- P18 MON LF, with high pass at 54 or 85 Hz.

- P18 MAIN HF 6060, 1.2 kHz – 20 kHz.
- P18 MAIN HF 9040, 1.2 kHz – 20 kHz.
- P18 MAIN HF PSguide, 1.2 kHz – 20 kHz.
- P18 MAIN LF, with high pass at 50, 85 or 120 Hz

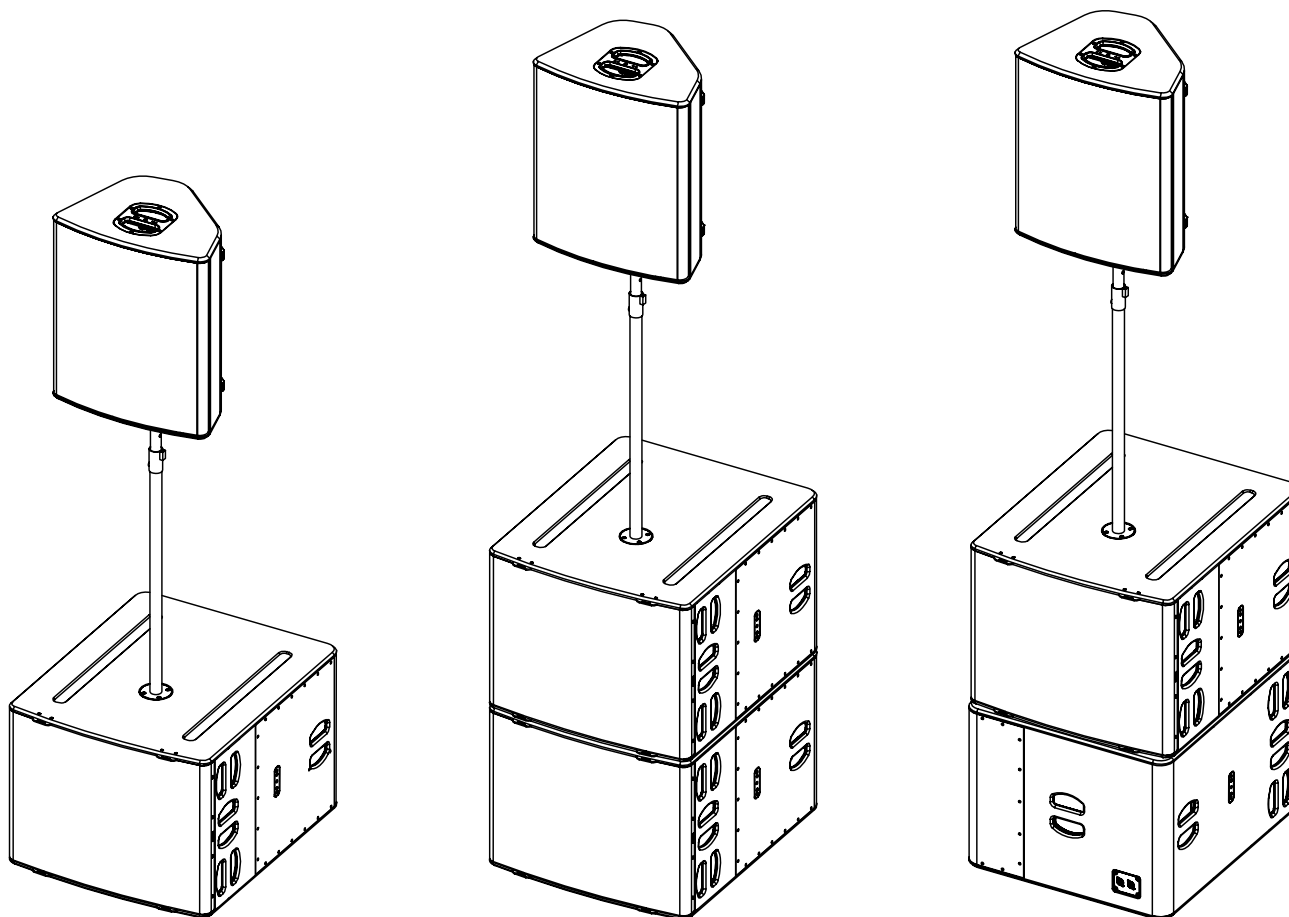
P18



Front of house and stage monitor applications



Stage monitor applications with Subs (OMNI or CARDIO modes)

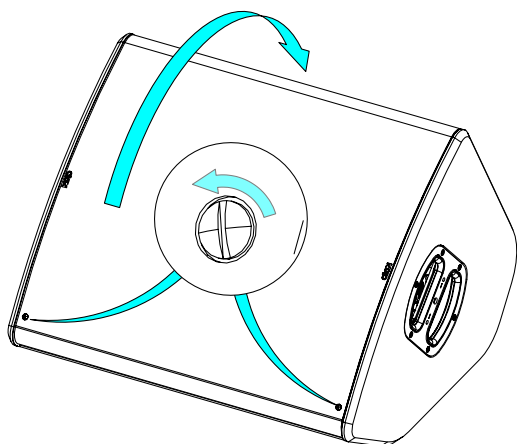


Front of house applications with Subs (OMNI or CARDIO modes)

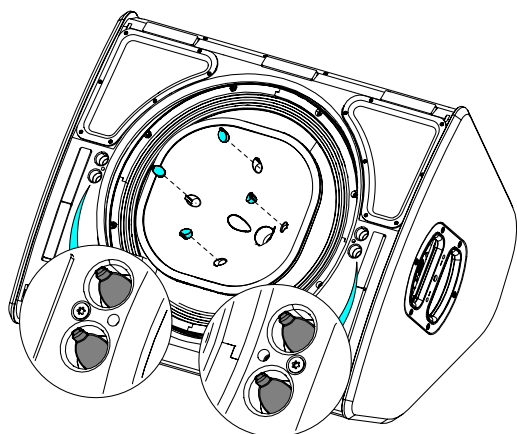
HF DIRECTIVITY

- The P18 speaker can be used in horizontal or vertical position.
- The standard horn is a 60° - 60° HF dispersion. It's easy to change the HF dispersion by adding a specific flange. Different mounting possibilities and flange rotation allow to deal with every request.

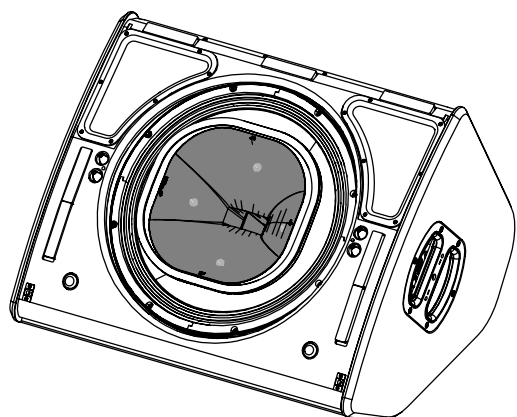
P18 Unlock the 2 quarter-turn screws, Remove the grille.



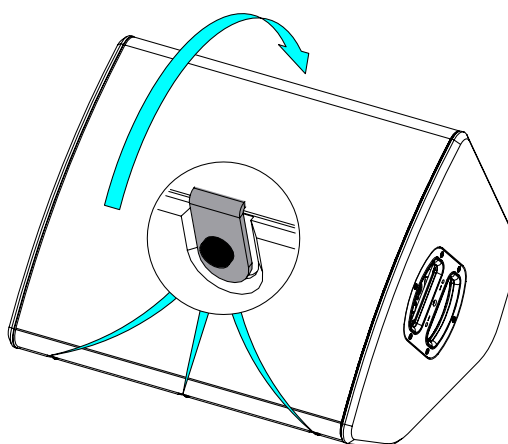
Remove the 4 HF Cap and store them.



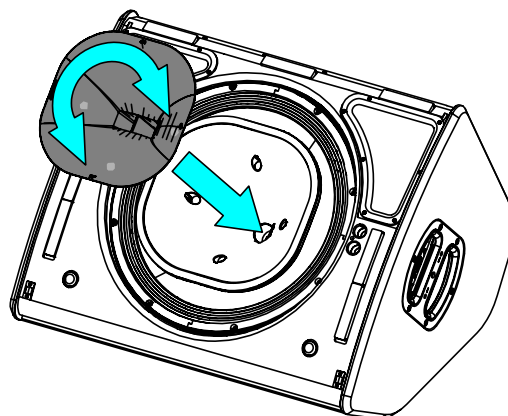
Magnets keep the horn in place.



P18-TIS Loosen the 3 screws. Remove the grille.



Place the flange, if necessary, rotate it.



Replacing the grille

When replacing the grille, ensure it is well positioned in the top blade.

CROSSOVER FREQUENCY

- 50 Hz: Full range application.
- 85 Hz: Use as « front fill » on stage, complementing a main system. Use with a NEXO subwoofer, e.g. L20.
- 120 Hz: Long throw application.

WARNINGS

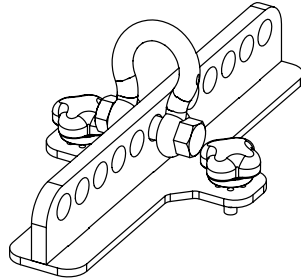
All P18 accessories are specifically rated in agreement with structural computations.

Never use other accessories – including push-pins – when assembling P18 cabinets than the ones provided by NEXO: NEXO will decline responsibility over the entire P18 accessory range if any component is purchased from different supplier.

PROHIBITED: P18 below P18 or P18 below L18 or L20 without dedicated accessory

VNU-BUMP (PNT-BUMP)

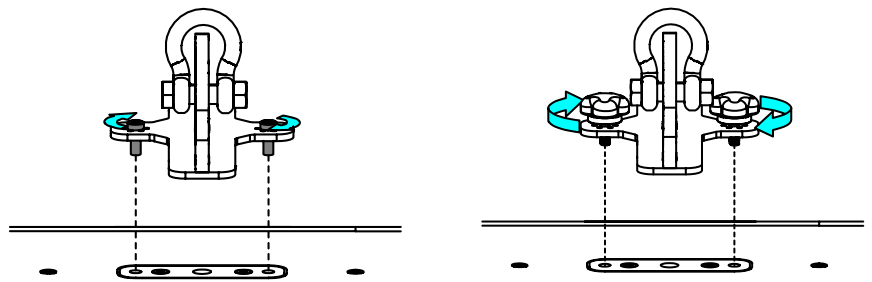
LiftBar, use with P18,
LIFTADAPT, WMADAPT.



Place VNU-BUMP on P18 (only use the provided screws).

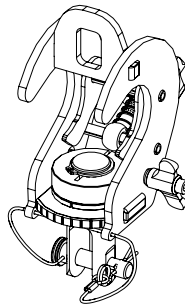
Tight properly

Refer to the Product Data Sheet.



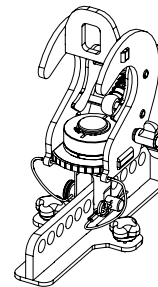
VNT-TCBRK3551

Rotary Truss Clamp



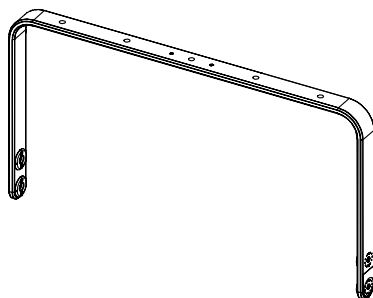
Place VNT-TCBRK3551 on VNU-BUMP at the desired hole.

Refer to the Product Data Sheet



VNU-HBRK680

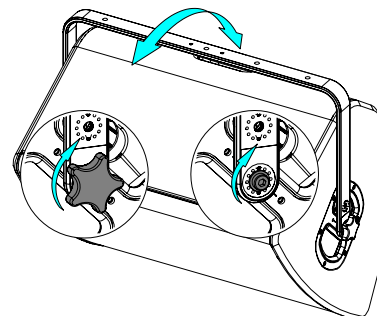
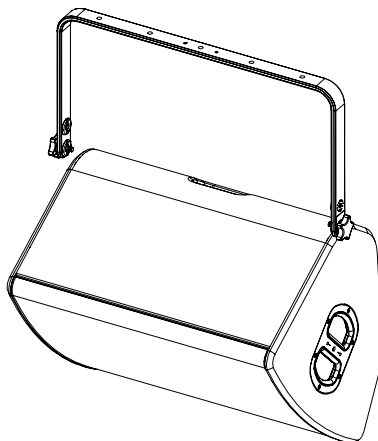
Horizontal Cradle, use with P18, CLADAPT, PLADAPT.



Place HBRK680 on P18, use only fasteners provided.

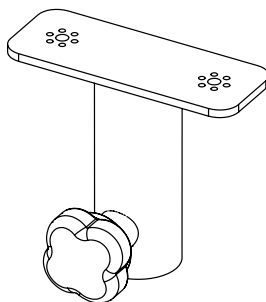
Tight properly.

Refer to the Product Data Sheet.



VNU-PLADAPT (PNT-PLADAPT)

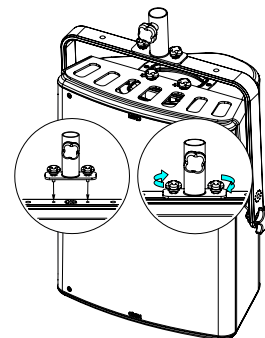
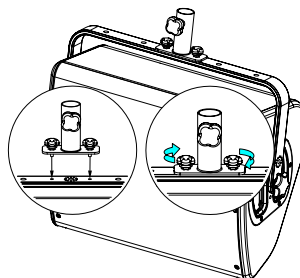
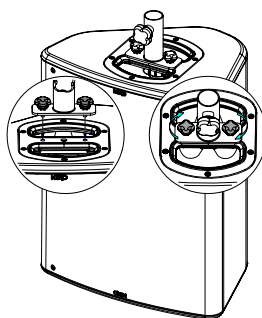
Pole adapter, use with P18, HBRK680, VBRK18.



Place VNU-PLADAPT, use only fasteners provided.

Tight properly.

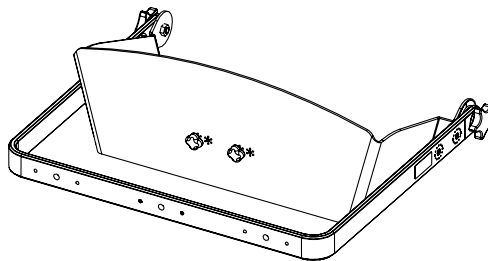
Refer to the Product Data Sheet.



ACCESSORIES

PNU-VBRK18

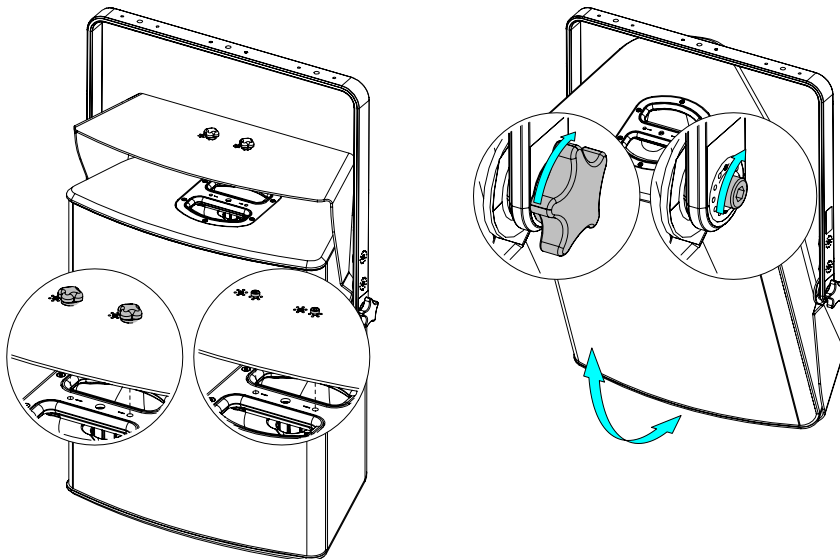
Vertical Cradle, use with
CLADAPT, PLADAPT.



Place VBRK18 on P18, use only fasteners
provided.

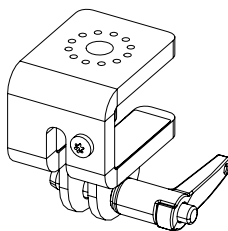
Tight properly.

Refer to the Product Data Sheet.

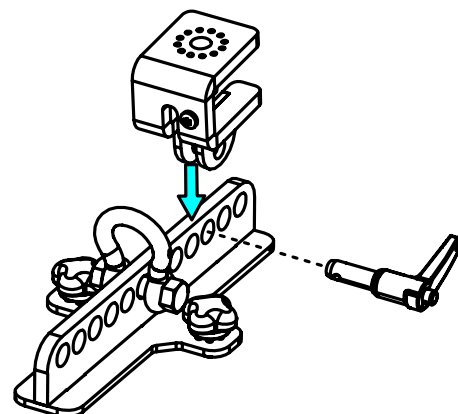
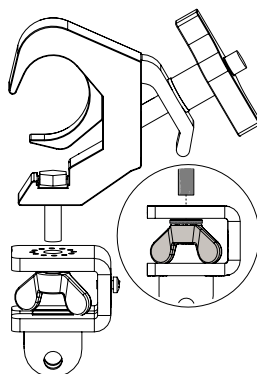


VNT-LIFTADAPT (PNT-WMADAPT)

Adapter, use with
Truss Clamp, VNU-BUMP.

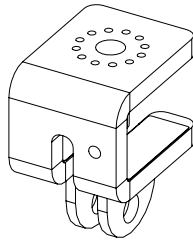


Refer to the Product Data Sheet.

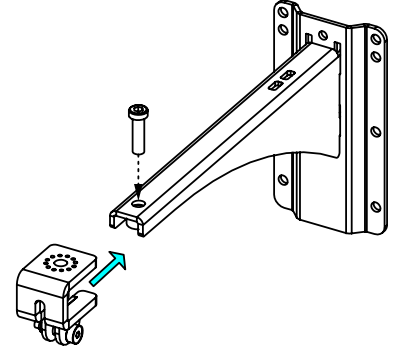
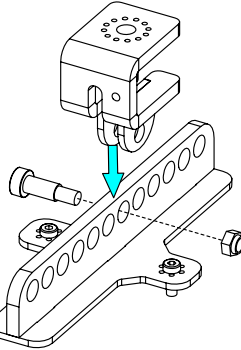


VNI-WMADAPT (PNT-WMADAPT)

Adapter, use with
VNU-BUMP, VNI-WM450.



Refer to the Product Data Sheet.

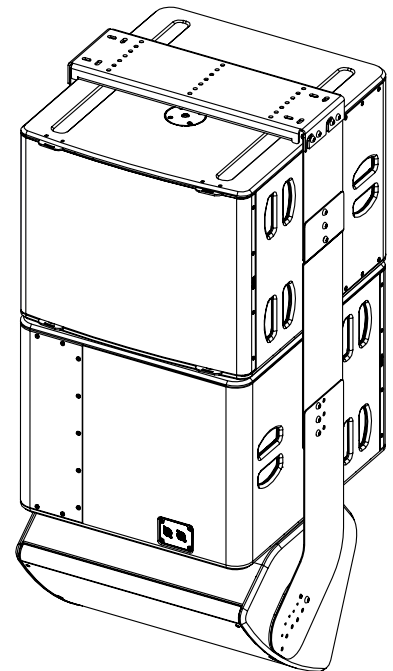
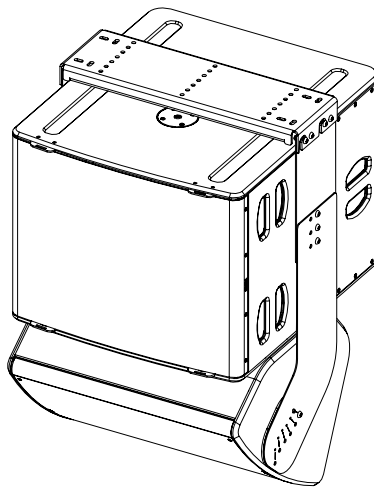


PNI-P18TOL18
PNI-P18TOL2L18

P18 Under 1xL18

P18 Under 2xL18 (Omni or Cardio)

Refer to the Product Data Sheet.



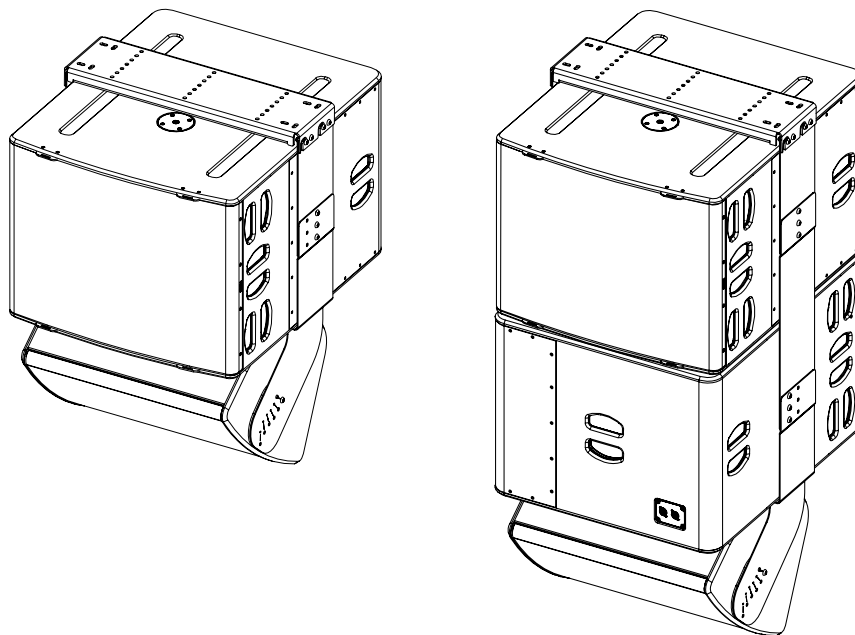
ACCESSORIES

PNI-P18TOL20 PNI-P18TOL2L20

P18 Under 1xL20

P18 Under 2xL20 (Omni or Cardio)

Refer to the Product Data Sheet.



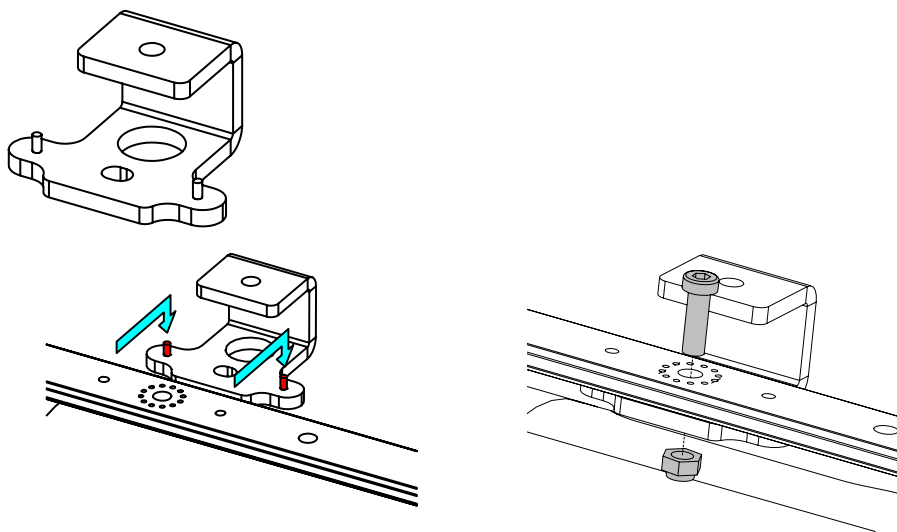
VNI-CLADAPT (PNI-CLADAPT)

Ceiling adapter, use with
VNU-HBRK680, PNU-VBRK18.

Screw CLADAPT to the ceiling (fasteners
not provided).

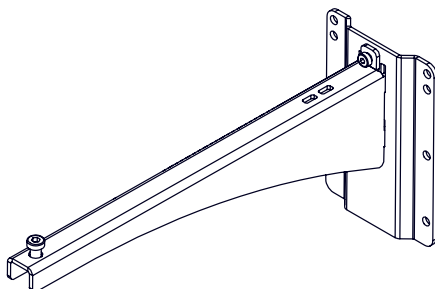
Place the assembly on CLADAPT, use
the 2 guides. Tight with the fasteners
provided with CLADAPT.

Refer to the Product Data Sheet.



VNI-WM450

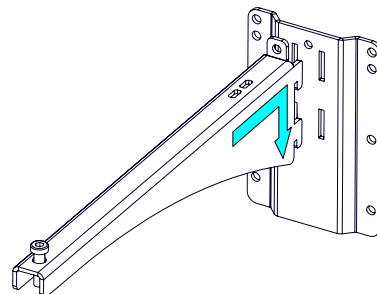
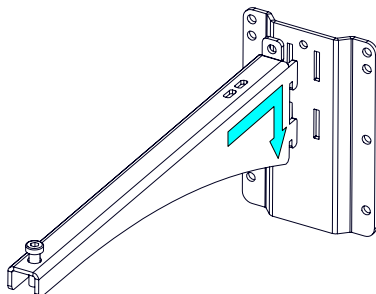
Wallmount for P18, use with WMADAPT.



Mount the wall plate. Place the arm in the wall plate.

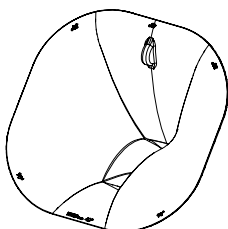
Lock with the provided screw.

Refer to the Product Data Sheet.



PNU-P18FLGPS

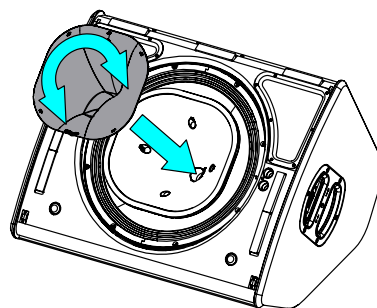
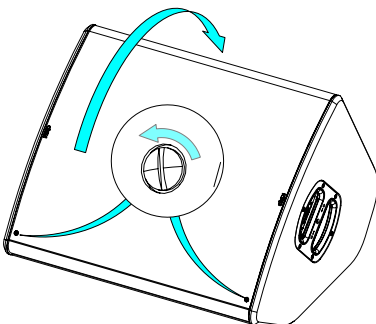
HF Dispersion Horn 'PS'



Remove the grille, remove the flange to place the PNU-P18FLGPS.

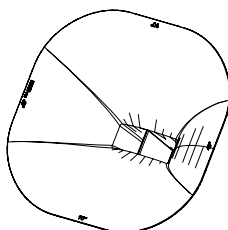
If it necessary, rotate it. Magnets keep the horn in place.

Refer to the Product Data Sheet.



PNU-P18FLG9040

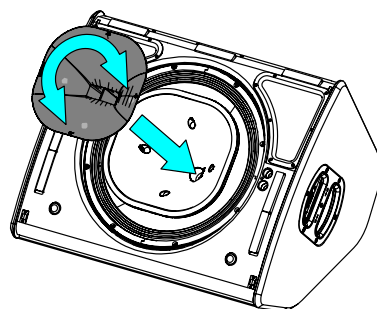
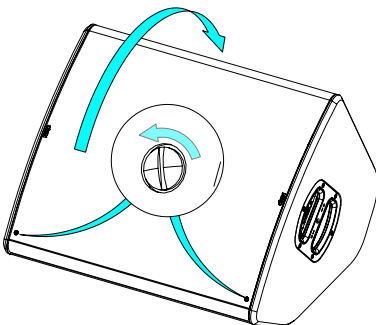
HF Dispersion Horn 90° - 40°



Remove the grille, remove the flange to place the PNU-P18FLG9040.

If it necessary, rotate it. Magnets keep the horn in place.

Refer to the Product Data Sheet.



ACCESSORIES

PNT-2CASE18: FLIGHT CASE FOR 2X P18

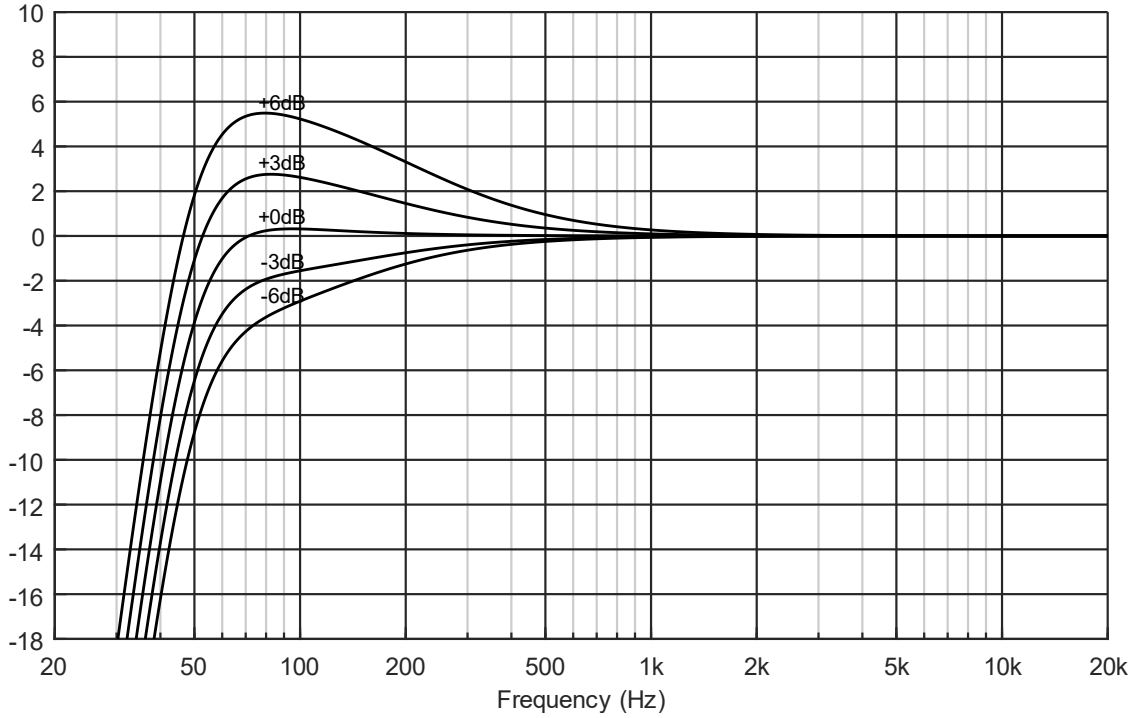
PNT-ACC18: FLIGHT CASE FOR P18 ACCESSORIES

PNT-COV18: COVER FOR P18

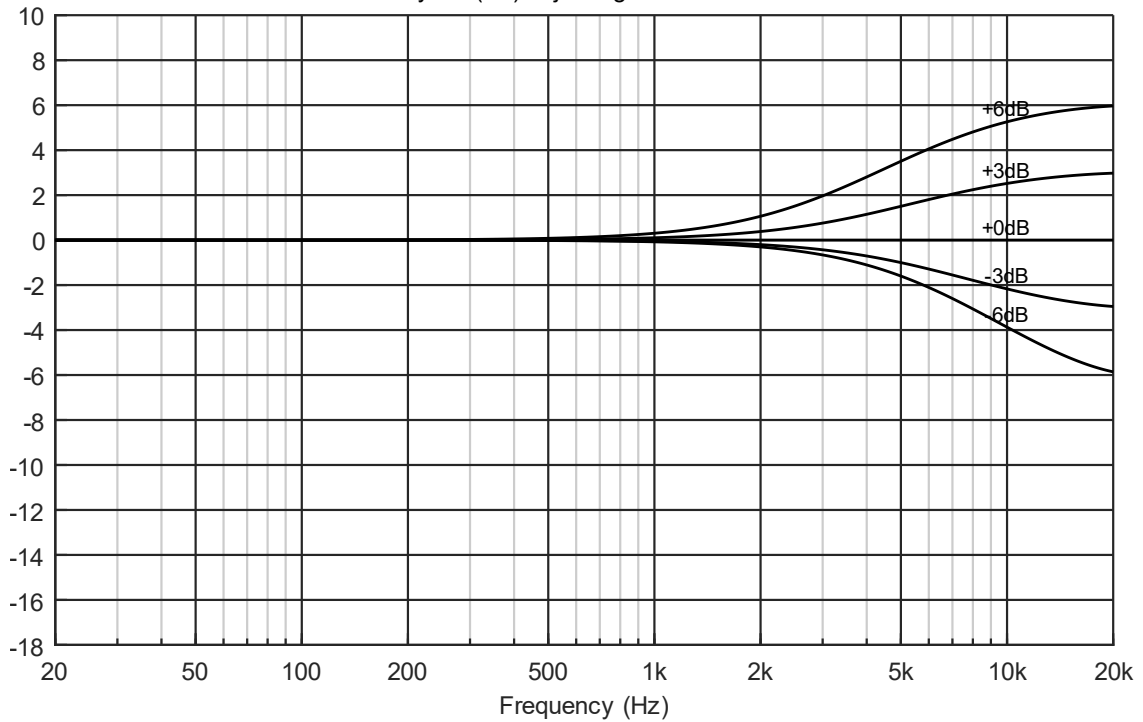
ARRAY EQ

The ArrayEQ allows to adjust the system frequency response in its lower range (see curves below, with different ArrayEq values):

P18 60x60 ArrayEQ (dB) adjusting

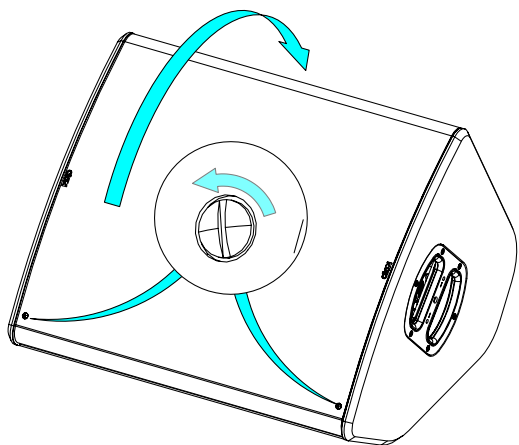


P18 60x60 ArrayEQ (dB) adjusting



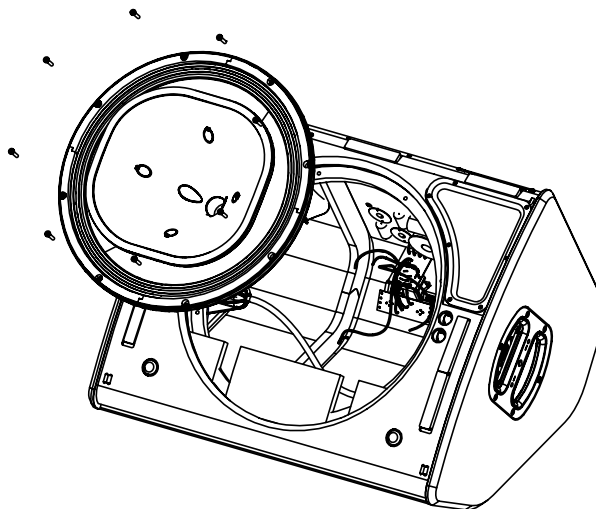
Driver access

P18 Unlock the 2 quarter-turn screws, Remove the grille. (**P18-TIS** See above)

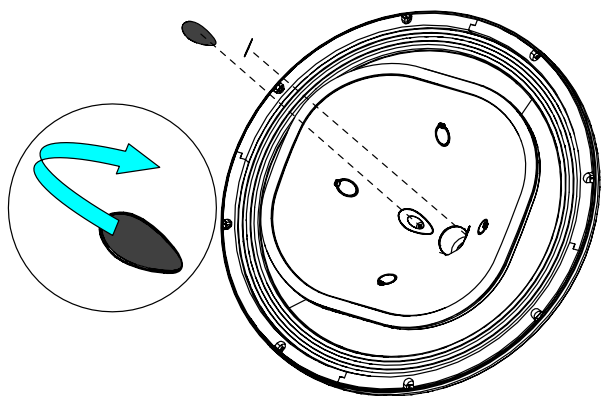


Remove 8 screws.

Tightening torque: 3.5 Nm (Thread Locker: Loctite 242)

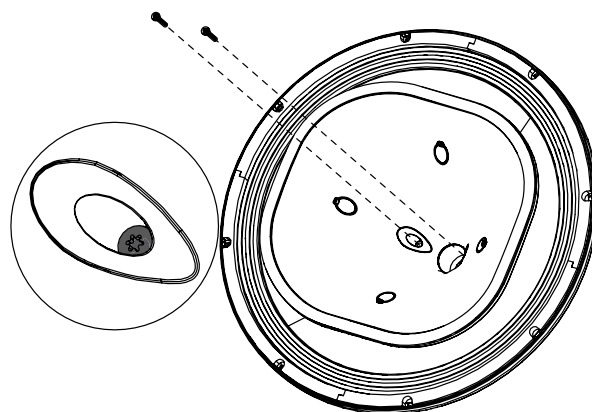


Remove the stickers.

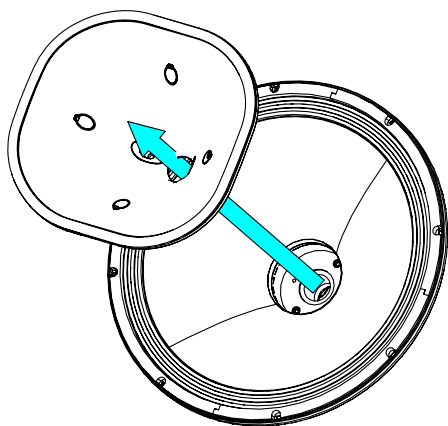


Remove the 2 screws.

Tightening torque: 2.5 Nm (Thread Locker: Loctite 222)

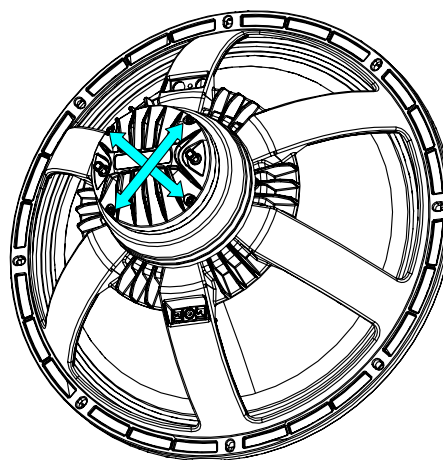


Remove the horn.

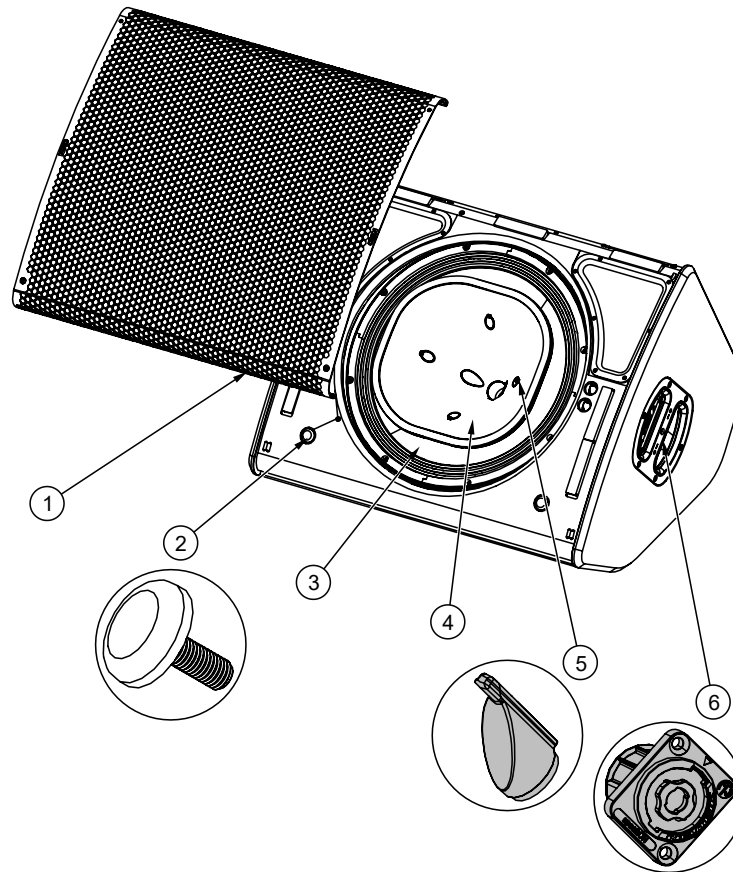


To access to the HF diaphragm, remove 4 screws.

Tightening torque: 2 Nm



Spare parts



MARK	QUANTITY	REFERENCE	DESIGNATION
1	1	05P18UA	P18 COMPLETE GRID BLACK
	1	05P18UA-PW	P18 COMPLETE GRID WHITE
	1	05P18UAI	P18 I & TIS COMPLETE GRID BLACK
	1	05P18UA-IPW	P18 I & TIS COMPLETE GRID WHITE
2	2	05RUBGRD01	Plastic Pad Black
	2	05RUBGRD01-PW	Plastic Pad White
3	1	05HPC18	HP18" COAXIAL NEODYNIUM 8 - 8 Ohms
	1	05HPC18R/K	HPC18 RECONE KIT
4	1	05NHP18R/K	HF DIAPHRAGM 4" - 8 Ohms with screws
5	4	05CAPB01	HF cap black
	4	05CAPB01-PW	HF cap White
6	2	05SPK01	Speakon NL4 complete (with screws)

NOTE:
Speakers and Grills can be sent back to NEXO for recycling

TECHNICAL SPECIFICATIONS

P18 WITH NEXO ELECTRONICS

Model	P18
Frequency range ($\pm 6\text{dB}$)	50 Hz – 20 kHz
Peak SPL Level (1m)	140dB Peak (Passive mode) / 142dB Peak (Active mode)
Operating voltage	55 Vrms (180 Vpeak)
HF dispersion (according to horns)	60°x60° - 90°x40° - Asymmetrical Dispersion 60° to 100°x40°
Crossover Frequency	50Hz – 85 Hz – 120 Hz
Nominal Impedance	Active mode (8 Ω LF, 8 Ω HF) – Passive mode: 8 Ω

SPECIFICATIONS

Model	P18
Components	1x Coaxial LF 18" 8 Ω long excursion & Neodymium HF 4" - 8 Ω
Material	Custom made bent plywood of Baltic birch and poplar
Finish	Black or white structural paint
Front finish	P18: Magnelis® steel front grille + Back mesh P18-TIS: Black or white acoustic fabric fitted front Magnelis® steel grille
Fittings	Handle on both sides Threated inserts on the back and on both sides for connection of mounting accessories Stand fitting on both sides (35mm / 1"3/8)
Connector	4x NL4, 4 poles connectors; 2 at the back and 1 on each side
Weight	33 kg / 73 lb

Dimensions				

USER NOTES

NEXO S.A.

Parc d'activité de la Dame Jeanne
F-60128 PLAILLY

Tel: +33 3 44 99 00 70

Fax: +33 3 44 99 00 30

E-mail: info@nexo.fr

nexo-sa.com

NEXO