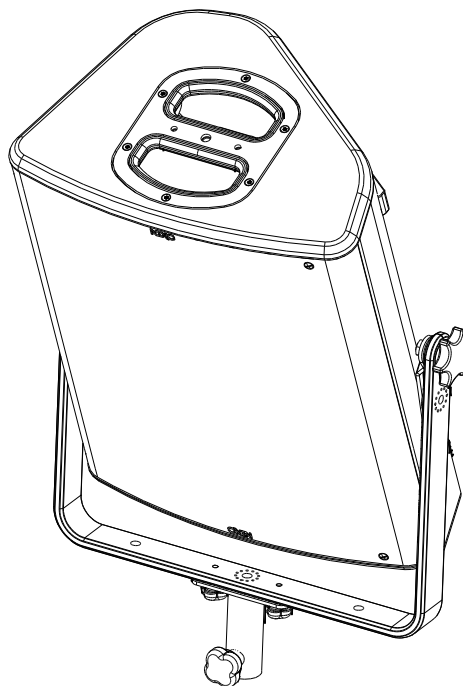
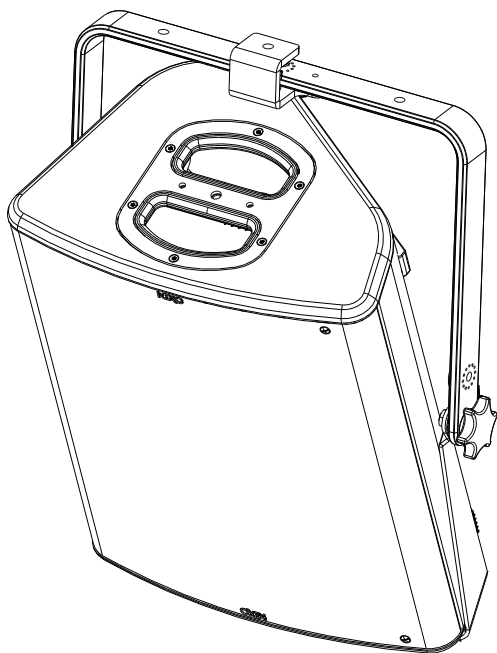


Vertical cradle for P12



Contents:

X1	X2	X2	X2

Weight: 3.7 kg / 8.2 lb

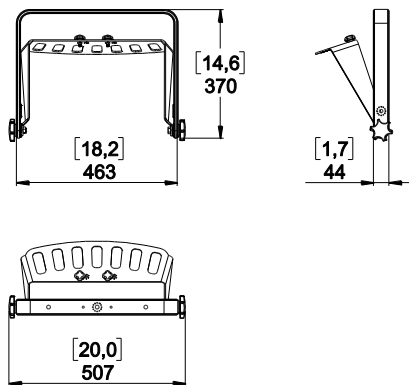


nexo-sa.com
ZA du Pre de la Dame Jeanne
60128 PLAILLY - France

- Read this document before using.
- Keep this document.
- Observe all warnings and cautions.



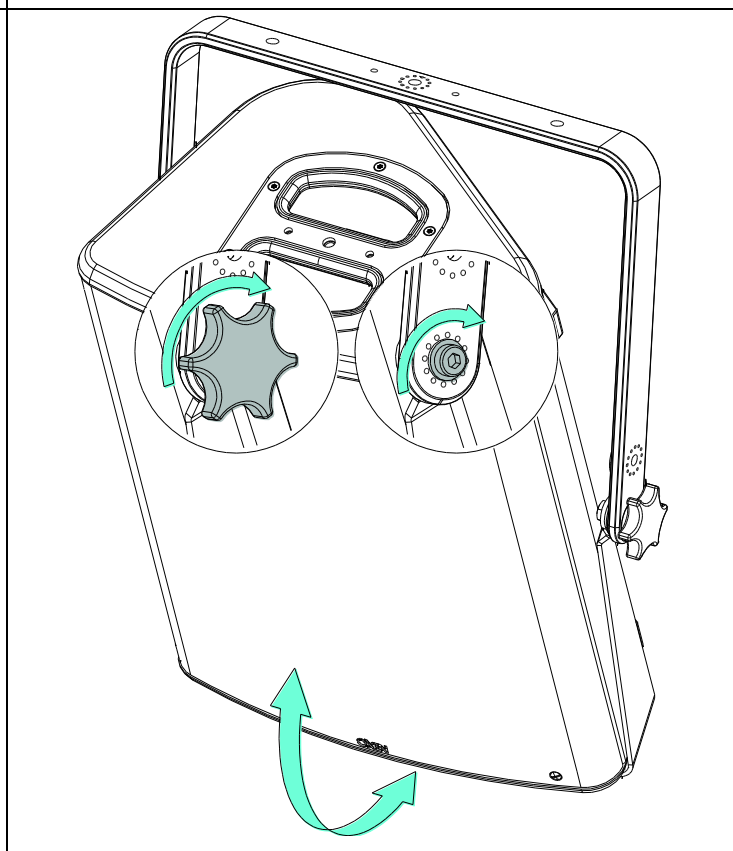
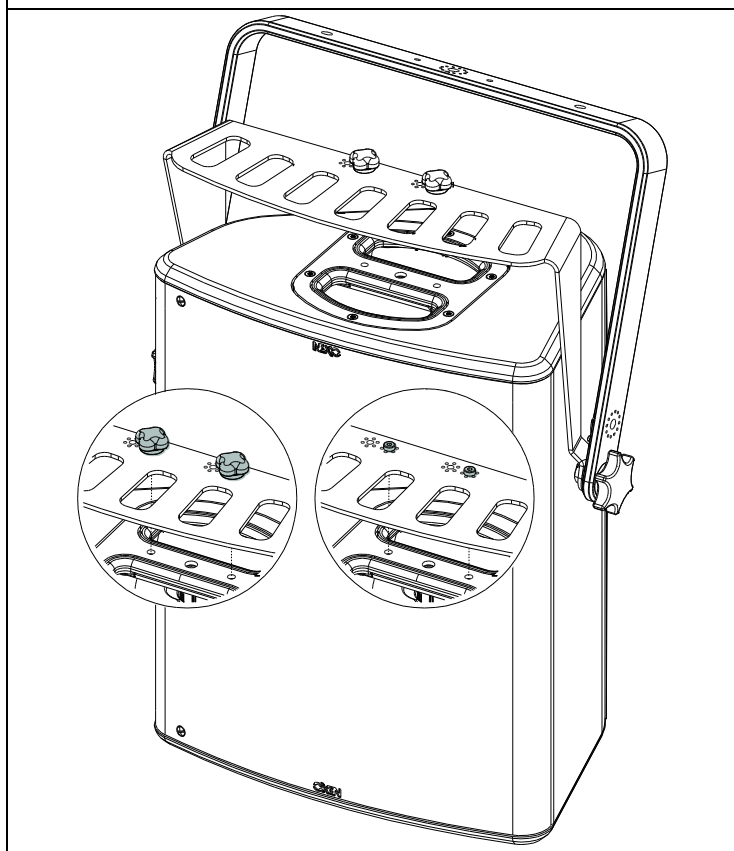
Dimensions:



Use:

Place VBRK12 on P12, use only fasteners provided (thread lock coated screws for fixed installation). Tight properly.

Adjust the P12 and tight properly on the sides, use only fasteners provided (thread lock coated screws for fixed installation).



Read instructions to use with CLADAPT or PLADAPT

- NEXO cannot accept responsibility for accidents caused by any factor other than defects in this product itself.
- Please check the web site nexo-sa.com for the latest update.



nexo-sa.com
ZA du Pre de la Dame Jeanne
60128 PLAILLY - France

- Read this document before using.
- Keep this document.
- Observe all warnings and cautions.

