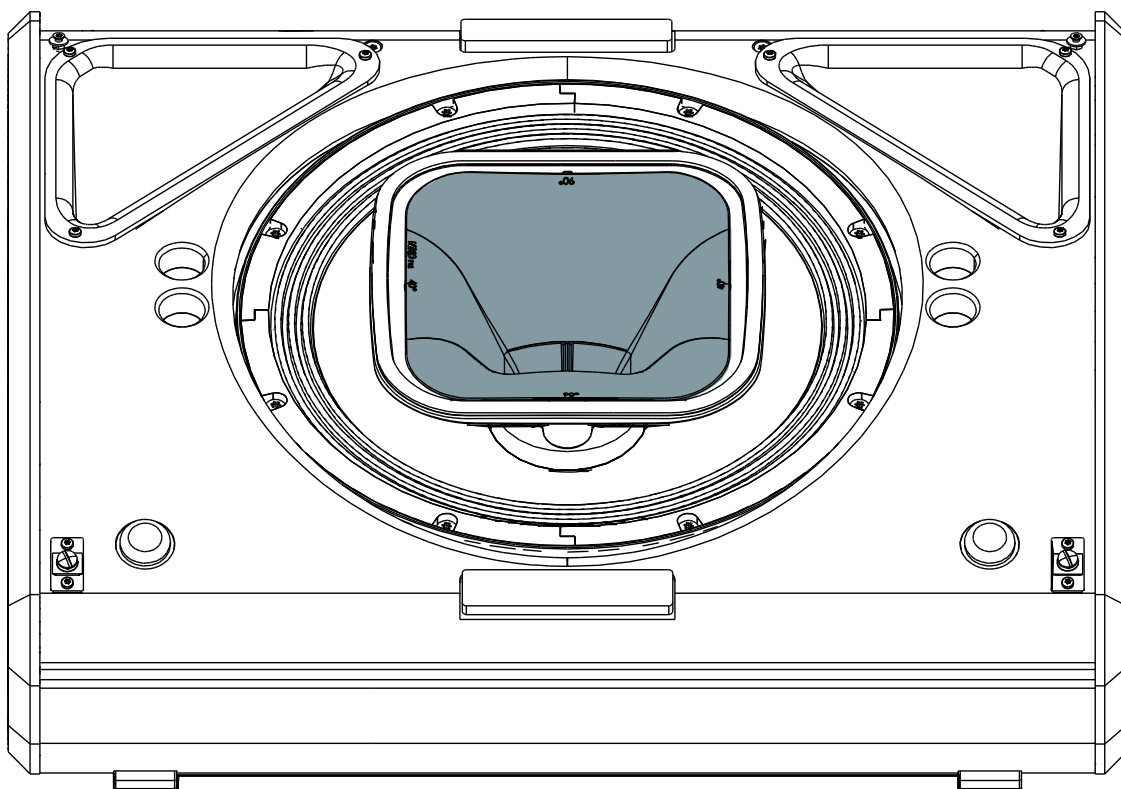
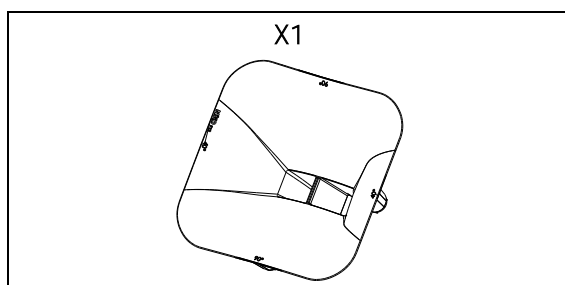


# Flange dispersion adapter 90° - 40° for P12



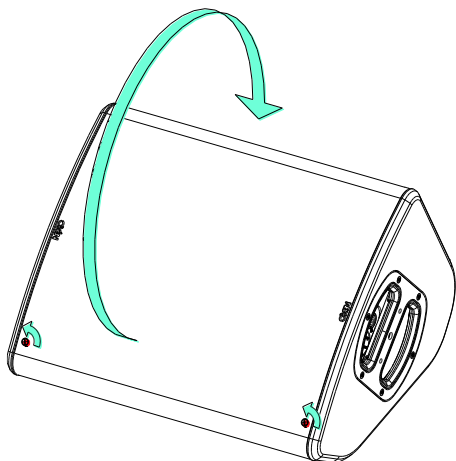
## Contents:



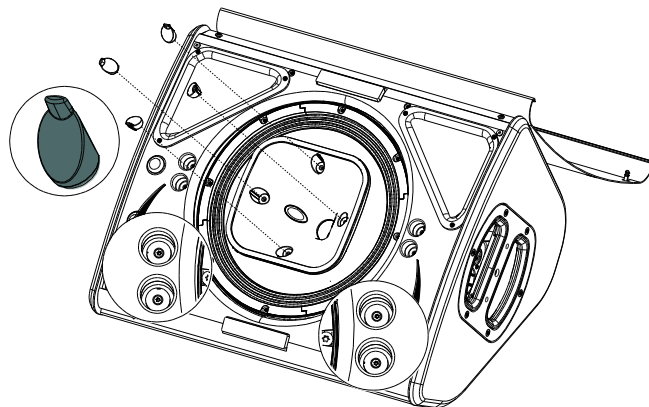
Weight: 0.5 kg / 1.1 lb

## Use:

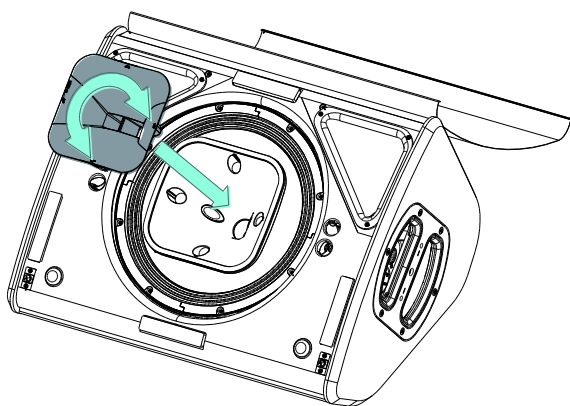
**1** Unlock the 2 quarter-turn screws, Remove the grille.



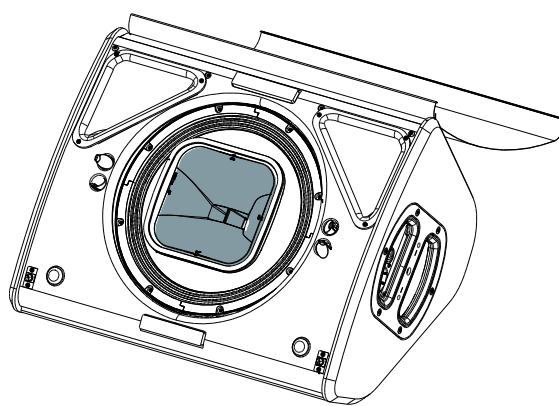
**2** Remove the 4 HF Cap and store them.



**3** Place the flange, if necessary rotate it.



**4** Magnets keep the flange in place.



When replacing the grille, ensure it is well positioned in the top blade before fasten with quarter-turn screws.

- NEXO cannot accept responsibility for accidents caused by any factor other than defects in this product itself.
- Please check the web site [nexo-sa.com](http://nexo-sa.com) for the latest update.

# NEXO

nexo-sa.com

ZA du Pre de la Dame Jeanne  
60128 PLAILLY - France

- Read this document before using.
- Keep this document.
- Observe all warnings and cautions.

